



P.I.T.[®]

Progressive Innovative Technology

EN

PRODUCT PASSPORT
USER'S MANUAL

RU

ПАСПОРТ ИЗДЕЛИЯ
ИНСТРУКЦИЯ ПОЛЬЗОВАТЕЛЯ

ELECTRIC TRIMMER **ЭЛЕКТРИЧЕСКИЙ ТРИММЕР**



PTR2000-EL

PROGRESSIVE INNOVATION TECHNOLOGY

ПРОГРЕССИВНЫЕ ИННОВАЦИОННЫЕ ТЕХНОЛОГИИ



GENERAL SAFETY MEASURES

WARNING: Do not plug in the power trimmer until you have carefully read the recommendations in the “Guide”.

IT IS FORBIDDEN to work with the trimmer in a tired or painful state, as well as in a state of alcoholic intoxication or narcotic intoxication.

ATTENTION! In the process of working with the trimmer, do not allow children, unauthorized persons and animals to be in the working area. They may be traumatized by the ejection of stones or other objects.

1. Familiarize yourself with the purpose, principle of operation, working methods and maximum possibilities of your trimmer.

2. To connect the trimmer to the electrical network, use an extension cord equipped with special splash-proof plugs. Do not abuse the power cord and extension cord. Do not pull the cord when disconnecting the plug from the socket. Protect the cord from twisting, creases, heating, oil, water and damage to sharp edges. Do not use a trimmer power cord with damaged insulation.

DO NOT operate the trimmer under conditions of exposure to droplets and splashes (in open areas during rain and after), near flammable liquids or gases, as well as in conditions of excessive dustiness in the air.

3. Do not expose the trimmer to sudden temperature changes that could cause condensation on the motor parts. It is recommended not to turn it on for a sufficient time to eliminate condensate.

ATTENTION! When working with an electric trimmer, avoid contact with grounded surfaces.

4. Before turning on the trimmer for the first time, pay attention to the correct assembly and the reliability of the installation of all component parts.

5. Check the operation of the switch, the state of the working body and protective devices.

6. Use the trimmer only for its intended purpose. Use the equipment intended for work with the trimmer. It is not allowed to carry out trimmer modifications by yourself.

7. To avoid injury when working with a trimmer, wear goggles or a mask, gloves, tight clothes and sturdy shoes.

8. Do not damage the extension cord while working with the trimmer. This could result in serious injury, (electric shock). If the extension cord is damaged, stop working and unplug the extension cord from the electrical outlet.

9. During work, move at a moderate speed, do not run.

10. Diagnostics of malfunctions and repair of the instrument should be carried out only in a specialized Service Center.

11. Do not leave the trimmer running unattended.

12. Protect the trimmer from falling. Do not work with defective or damaged trimmer housing.

ATTENTION! Do not use non-certified or self-made tooling (cutting element).

13. Carefully inspect the site where you plan to work with a trimmer. Remove all stones, sticks and other foreign objects.

14. Work with the trimmer only in daylight or good artificial light.

15. Mow only dry grass. Mowing wet grass is strictly prohibited!

16. Cutting grass on steep slopes can cause operator injury due to a fall. Only mow across the slope, not up and down.

17. Take special care when mowing in the opposite direction when moving backwards.

18. The risk of injury arises when mowing grass along the edges of lawns, near fences and steep embankments. Keep a safe distance from high-risk areas.

19. When moving the trimmer from one area to another, be sure to turn off the engine and unplug the power cord from the electrical outlet.

20. In order to avoid injury, do not remove the protective cover when the engine is running. The hands and feet of the operator should not be in close proximity to the rotating parts of the trimmer.

21. Keep trimmer and attachments clean and in good condition.



WARNING LABELS



Read the operating instructions before you begin.



Wear a helmet, goggles and earphones.



Put on gloves



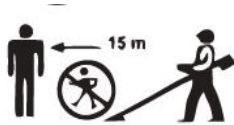
Wear closed shoes



Attention!



Flammable!



Hazardous area. Be careful!



Caution! A high speed cutting tool



Do not place the rotating electric trimmer knife near your feet!



Beware of dropping objects with a rotating electric trimmer knife!

DECRYPTING THE DATE OF PRODUCTION OF THE PRODUCT

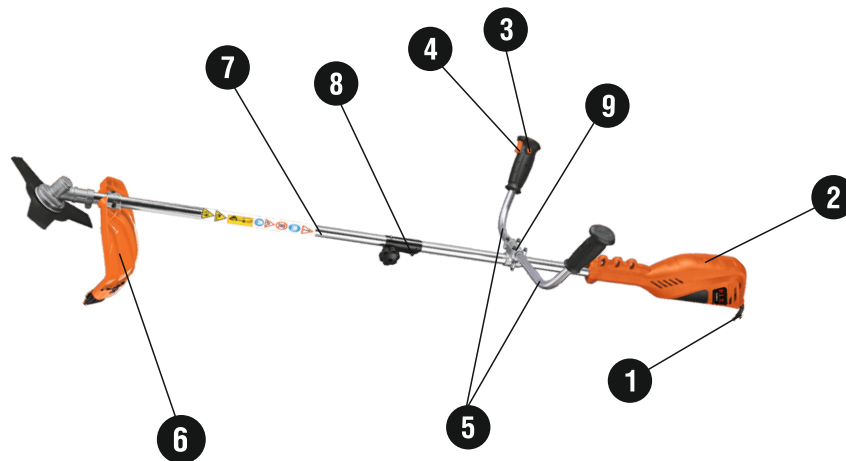
Date of manufacture of the product is encrypted in the serial number printed on the tool body. The first 2 digits indicate the year of manufacture, the next 2 digits - month and the following two digits – day

No.

1	7	0	7	3	0	0	3	9	5
---	---	---	---	---	---	---	---	---	---

Year month day

DESIGNATION OF PARTS



1. Power cable with plug
2. Motor housing
3. Key switch
4. Key lock switch
5. Left / right control knobs

6. Protective cover
7. Rod
8. Mounting attachment of dismantable rods
9. Connecting bracket

TECHNICAL SPECIFICATIONS

Rated voltage	220 V
Rated power	2000 W
Cutting tools	line / knife
Maximum cutting width	400 mm
Line diameter	1.6 mm
Rod type	dismountable
Engine idle speed	7500 rev / min
Bicycle handle	Yes
Weight	6.3 kg

Note:

Since the products are constantly being improved, P.I.T. reserves the right to change the specifications listed here without prior notice.

DELIVERY SET

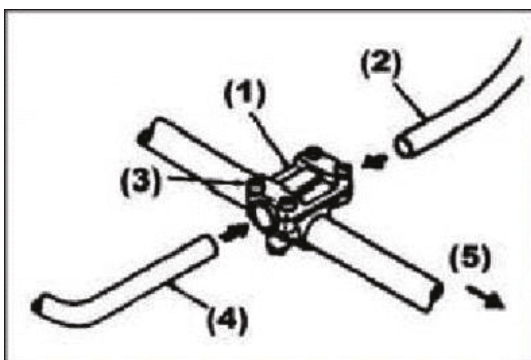
Spool with line 1 pc.
Protective cover 1 pc.
Shoulder strap 1 pc.
Operation manual 1 pc.

Cutting disc 1 pc.
Assembly tool kit 1 pc.

ASSEMBLY

1. The bicycle handle (see fig. 2) consists of two parts: the left and the right (6) control knobs, which are attached to the rod (10) using a connecting bracket (12). The left knob serves to hold the electric trimmer with the left hand, and the right knob to hold the electric trimmer with the right hand. The bicycle handle is installed in the following sequence (see fig. 2.1)

- 1) loosen the bolts (3) on the upper bracket cover (1);
- 2) insert the left (4) and right (2) control knobs into the connecting bracket according to fig. 2.1 and tighten the bolts.



- 1 - top cover bracket;
- 2 - right control knob;
- 3 - bolt;
- 4 - left control knob;
- 5 - the side of the engine

Fig. 2.1

2. Adjust the length of the belt so that when working, the cutting element of the electric trimmer moves parallel to the ground. Clip the carabiner to the holder on the rod so as to achieve the perfect balance between the front and back of the electric trimmer.
3. Connect both sides of the rod. The locking element on the lower rod should enter the guide groove on the upper rod. A properly assembled connection cannot be opened without pressing the locking element.
4. Tighten attachment on clamp to stop. Depending on the work performed, you can rotate the lower rod at fixed angles of 90 ° and 180 °. In this case, the lower bar will always be securely fastened.
5. Adjust the shoulder strap and trimmer knob to individual requirements. Twist the bolt of fastening of the handle of the trimmer against the stop.

Installation of cutting disc

Attention, it is allowed to use knives intended only for electric and petrol trimmers (brush cutters).

Put the protective cover on the knife (4). Slide the flange (5) onto the output shaft (6). Align the hole in the flange (5) with the hole in the gearbox housing and insert the retaining rod (7) into it. Put the knife (4) on the output shaft, making sure that it lies flat on the flange. Put the washer (8) on the output shaft with the flat side to the knife and securely fix it with a nut (9), turning it counterclockwise. Remove the fixing rod (7), insert the cotter pin (10) (if available) into the hole of the output shaft and unbend his mustache. Remove the knife protective cover. Remove the cutting knife in the reverse order.

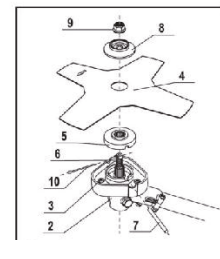


Fig.3

Installing the spool with fishing line

Slide the flange (5) onto the output shaft (6). Align the hole in the flange (5) with the hole in the gearbox housing and insert the retaining rod (7) into it. Thread the spool with the fishing line (12) onto the output shaft (6) until it stops with the flange (5). Remove the locking rod (7). Remove the cassette with fishing line in the reverse order.

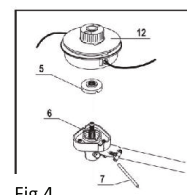


Fig.4

Replacing the trim line

Make sure the diameter of the line is 2.0 mm. Holding the spool case (14), unscrew the spool clamp (13). Remove the spool (15) with spring (16). Clean the inner surface of the spool, check the degree of wear of the support sleeves (17), replace if necessary. Take about 5 m of trimmer line, fold it in half, so that one end of the line is 10-15 cm longer than the other and skip the middle of the line into the slot of the partition of two spool blocks. Holding both ends of the line (18) with your fingers, wind it in even thick layers onto two blocks of the spool. Wind the line in the direction indicated on the reel, while ensuring that the line is not overlapped. Insert the ends of the lines into the slots of the spool.

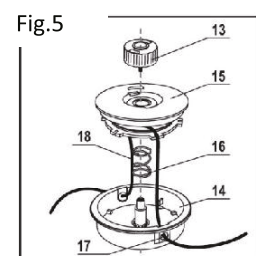


Fig.5

Assemble the spool in the reverse order, after inserting the ends of the line into the appropriate sleeves (17). While holding the spool, alternately pull the ends of the line to release them from the grooves of the spool.

STARTING

1. Connect the trimmer to the mains. Hold the trimmer firmly by the handles. When starting the electric trimmer, keep your hands and feet at a safe distance from the mowing area.
2. Press the lock switch key and gently push the power button. To mow at maximum speed, firmly hold the trimmer with both hands on the handle.

Your trimmer is equipped with a semi-automatic line feed system. While the trimmer is running at maximum speed, lightly strike the ground with the cassette with the line. The length of the cutting line will increase by about 25 millimeters

OPERATION ACTIVITY

Ensure that the device is balanced between the motor and the cutting tool. The cutting tool should move parallel to the ground and not require the operator's efforts to hold it in the working position.

Always carry the electric trimmer so that the cutting tool is below the level of the belt and as far as possible from yourself and those around you.

The recommended cutting width is -1.5 meters. When using a disc knife for mowing grass or shrubs, always mow from right to left in order to leave the grass to the left.

Avoid getting stones, earth, etc. under the cutting tool. In case of malfunctioning of the cutting tool (knife jamming, tangling of the fishing line, etc.), disconnect it from the power supply.

Lay the electric trimmer on the ground and check that the cutting tool has not been damaged (blade breakage, cracks in the blade or on the cassette case). Replace the cutting tool if necessary. Use protective gloves.

Using a cutting disc

When using a circular knife, avoid the risk of injury to yourself and others, follow all safety rules. Pay attention to fig. 6. When mowing with a circular knife, work only with zone "A".

Zone "6" is applicable if the electric trimmer is firmly held in the hands. It is not recommended to apply it.

The zone "NO!" Is prohibited for use because of the occurrence of a fallout of the electric trimmer from the hands, its use can lead to injuries of others.

To work effectively, it is necessary to take into account that the number of revolutions of the motor of the electric trimmer under load must be maximum. Without load, engine operation at maximum speed is prohibited!

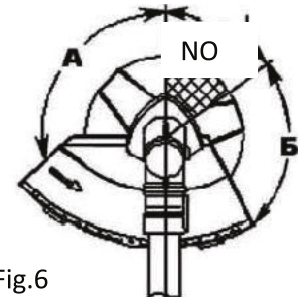


Fig.6

Sharpening cutting wheel

It is important that the cutting knife be carefully balanced. In order to avoid shortening the life of the electric trimmer gearbox, sharpen the cutting knives at specialized service centers.

REDUCER PREVENTIVE MAINTENANCE

Once a season it is necessary to check the presence of a sufficient amount of lubricant, add if necessary. Unscrew the bolt on the side of the gearbox housing, fill the cavity of the gearbox with lubricant designed to operate at high temperatures.

It is forbidden to disassemble the components yourself! If there are signs of self-disassembly of parts not in an authorized service center, the product is not subject to warranty repair!

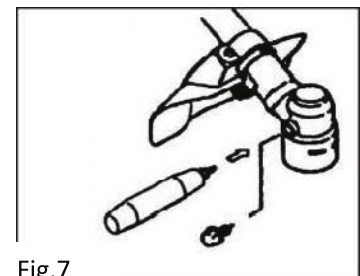


Fig.7

MAINTENANCE

You have acquired a durable and reliable electric trimmer. Proper use and ongoing maintenance extend the life of the product.

During the warranty period, it is prohibited to disassemble and repair the electric trimmer yourself. Repair of the electric trimmer should be carried out at authorized service centers.

It is prohibited to use various types of solvents to clean the body parts of the product.

Do not store the electric trimmer in dusty rooms.



WARRANTY SERVICE TERMS AND CONDITIONS

1. This warranty certificate is the only document confirming your right to free warranty service. Without presenting this certificate, claims will not be accepted. In case of loss or damage the warranty certificate is not restored.

2. The warranty period for the tool is 12 months from the date of sale, during the warranty period, customer service eliminates manufacturing defects free of charge and replaces parts that failed due to the manufacturer's fault. An equivalent serviceable tool is not provided for the period of warranty repair. Replaced parts become the property of the service. Company P.I.T. is not responsible for the harm that may be caused when working with power tools.

3. For warranty repair, the instrument is accepted clean, with the obligatory presence of properly executed documents: this warranty certificate, warranty sheet, with completely filled fields, the stamp of the trade organization and the signature of the buyer.

4. Warranty repair is not performed in the following cases:

- in the absence of the warranty certificate and the warranty sheet or their wrong design;
- in case of joint failure of the armature and stator of the electric motor, during charring or reflow of the primary winding of the transformer of the welding machine, charging or starting-charging device, when reflowing internal parts, burning electronic boards;
- if the warranty certificate or the warranty sheet does not belong to this power tool or does not conform to the sample set by the supplier;
- upon expiration of the guarantee;
- when trying to self-opening or repairing power tools outside the warranty workshop; making structural changes and lubrication of the tool during the warranty period, as evidenced, for example, by creases on the spline parts of the fastener of body parts.
- when using a power tool for industrial or other purposes related to making a profit, as well as in the event of malfunctions related to instability of the electrical network parameters that exceed the standards established by GOST;
- in case of improper operation (the use of power tools for other purposes, installation on power tools not intended by the manufacturer of nozzles, accessories, etc.);
- in case of mechanical damage to the casing, power cord and damage caused by the effects of aggressive agents and high and low temperatures, ingress of foreign objects in the ventilation grilles of the power tool, as well as damage caused by improper storage (corrosion of metal parts);
- in case of natural wear of parts of the power tool, as a result of long-term operation (determined by signs of full or partial development of the resource, heavy pollution, rust on the outside and inside of the power tool, used lubricant in the gearbox);
- use of the tool for purposes not specified in the instruction manual.
- for mechanical damage to the instrument;
- in the event of damage due to non-compliance with the operating conditions provided for by the instruction (see chapter Safety Directions in the instruction).
- damage to the product due to non-compliance with the rules of storage and transportation.

Preventive maintenance of power tools (cleaning, washing, lubrication, replacement of anthers, piston and sealing rings) during the warranty period is a paid service.

The service life of the product is set by the manufacturer and is 2 years from the date of manufacture.

On the possible violations of the above conditions of warranty service, the owner is informed after the diagnosis in the service center.

The owner of the instrument trusts the diagnosis in the service center in his absence.

Do not operate the power tool when it shows signs of increased heat, sparking, and noise in the gear unit. To find out the causes of the malfunction, the buyer should contact the warranty workshop.

Malfunctions caused by the untimely replacement of the carbon brushes of the engine are eliminated at the buyer's expense.

5. The warranty does not apply to:

- replacement parts (accessories), for example: batteries, discs, knives, drills, borers, cartridges, chains, sprockets, collet clamps, tires, tension and attachment elements, trimmers heads, soles of grinding and belt machines, filters, etc. ,
- high-wear parts, for example: carbon brushes, drive belts, oil seals, protective covers, guide rollers, guides, rubber seals, bearings, timing belts and wheels, barrels, brake bands, ratchets and starter cables, piston rings, etc. Replacing them during the warranty period is a paid service;
- power cords, in case of damage to the insulation, the power cords must be replaced without the consent of the owner (the service is paid);
- tool case;
- saw blades;
- damages that are caused by the mismatch of the network parameters with the rated voltage specified in the instructions for use;
- self-repair or attempts to unauthorized changes in the design of the device;
- strong mechanical, electrical, chemical effects;
- ingress of aggressive and conductive liquids inside the apparatus, the presence of metallic dust / chips inside the apparatus
- strong internal pollution resulting in a malfunction.

GUARANTEE CERTIFICATE ON THE P.I.T. TOOL

PRODUCT NAME _____
ITEM NUMBER _____
SERIAL NUMBER _____
DATE OF SALE " __ " _____
NAME OF THE TRADE ORGANIZATION _____
SEAL IS HERE _____

Dear customer!

Thank you for purchasing the P.I.T. and we hope that you will be satisfied with your choice. In the production process tools P.I.T. undergo multi-level quality control, if, nevertheless, your product will need servicing, we ask you to contact authorized service centers P.I.T.

Attention!

When buying, ask the seller to check the completeness and operability of the instrument, filling in the warranty certificate, warranty sheet (the seller should fill in the boxes) and the seal of the trade organization in the warranty certificate and the warranty sheet.

Warranty

Based on this warranty certificate, P.I.T. guarantees the absence of defects of a production nature.

If your trimmer nevertheless has the indicated defects during the warranty period, the specialized P.I.T. service centers repair product for free and replace defective parts. The warranty period for tools P.I.T. is 12 months from the date of sale.

“I have read the terms of warranty service. The efficiency and completeness of the product are checked in my presence. I have no complaints about the quality and appearance”.

Buyer's signature _____

Surname (legible) _____

Phone _____

ОБЩИЕ МЕРЫ БЕЗОПАСНОСТИ

ПРЕДУПРЕЖДЕНИЕ: не подключайте триммер к сети питания до тех пор, пока внимательно не ознакомитесь с изложенными в «Руководстве» рекомендациями.

ЗАПРЕЩАЕТСЯ работать с триммером в утомленном или болезненном состоянии, а также в состоянии алкогольного или наркотического опьянения.

ВНИМАНИЕ! В процессе работы с триммером не допускайте нахождения в рабочей зоне детей, посторонних лиц и животных. Они могут быть травмированы выбросом камней или иных предметов.

1. Ознакомьтесь с назначением, принципом действия, приемами работы и максимальными возможностями вашего триммера.
2. Для подключения триммера к электрической сети используйте удлинитель, оснащенный специальными брызгозащитными разъемами. Не допускайте неправильной эксплуатации шнура питания и удлинителя. Не тяните за шнур при отсоединении вилки от розетки. Оберегайте шнур от скручивания, заломов, нагревания, попадания масла, воды и повреждения об острые кромки. Не используйте шнур питания триммера с поврежденной изоляцией.

ЗАПРЕЩАЕТСЯ эксплуатация триммера в условиях воздействия капель и брызг (на открытых площадках во время дождя и после), вблизи воспламеняющихся жидкостей или газов, а так же в условиях чрезмерной запыленности воздуха.

3. Не подвергайте триммер воздействию резких температурных перепадов, способных вызвать образование конденсата на деталях электродвигателя. Рекомендуется не включать его в течение времени достаточного для устранения конденсата.

ВНИМАНИЕ! Во время работы с электрическим триммером избегайте соприкосновения с заземленными поверхностями.

4. Перед первым включением триммера обратите внимание на правильность сборки и надежность установки всех комплектующих единиц.

5. Проверьте работоспособность выключателя, состояние рабочего органа и защитных приспособлений.

6. Используйте триммер только по назначению. Применяйте оснастку, предназначенную для работы с триммером. Не допускается самостоятельное проведение модификаций триммера.

7. Во избежание получения травмы при работе с триммером надевайте защитные очки или маску, перчатки, облегающую одежду и прочную обувь.

8. Не допускайте повреждения электрического удлинителя во время работы с триммером. Это может грозить серьезной травмой (поражение электрическим током). В случае повреждения удлинителя прекратите работу и отсоедините вилку удлинителя от розетки электрической сети.

9. Во время работы перемещайтесь с умеренной скоростью, не бегите.

10. Диагностика неисправностей и ремонт инструмента должны производиться только в специализированном Сервисном центре

11. Не оставляйте работающий триммер без присмотра.

12. Оберегайте триммер от падений. Не работайте с неисправным или поврежденным корпусом триммера.

ВНИМАНИЕ! Не применяйте не сертифицированную или самодельную оснастку (режущий элемент).

13. Тщательно обследуйте площадку, на которой планируется проведение работ с триммером. удалите все камни, палки и прочие чужеродные предметы.

14. Работайте с триммером только при дневном или хорошем искусственном освещении.

15. Косите только сухую траву. Кошение мокрой травы категорически запрещено!

16. Скашивание травы на крутых склонах может привести к травме оператора вследствие падения. Скашивание производите только поперек склона, а не вверх-вниз.

17. Соблюдайте особую осторожность при скашивании в обратном направлении, при перемещении назад.

18. Опасность получения травм возникает при скашивании травы вдоль краев газонов, вблизи оград и крутых насыпей.

Соблюдайте безопасную дистанцию от мест повышенной опасности.

19. При перемещении триммера с одной территории на другую обязательно выключите двигатель и отсоедините шнур питания от розетки электрической сети.

20. Во избежание получения травм не допускается снятие защитного кожуха при работающем двигателе. Руки и ноги оператора не должны находиться в непосредственной близости от вращающихся частей триммера.

21. Содержите триммер и сменную оснастку в чистоте и исправном состоянии.

Внимание! Режим работы электротриммера повторно-кратковременный 30-40%, что означает продолжительность непрерывной работы не более 4-х минут, после чего не менее 6 минут- перерыв.

ПРЕДУПРЕЖДАЮЩИЕ НАДПИСИ



Прочитайте инструкцию по эксплуатации перед началом работы



Наденьте защитный шлем, очки и наушники



Наденьте рукавицы



Носите закрытую обувь



Внимание!



Огнеопасно!



Зона повышенной опасности. Будьте внимательны!



Осторожно!
Высокая частота вращения режущего инструмента
макс 8000 min⁻¹



Не располагайте вращающийся нож электротриммера возле ног!



Остерегайтесь отбрасывания предметов вращающимся ножом электротриммера!

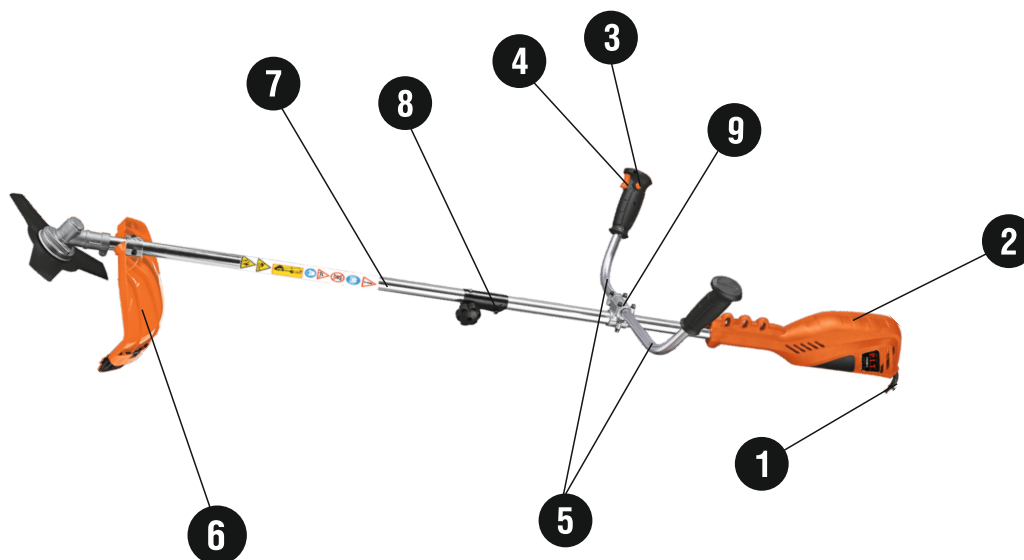
РАСШИФРОВКА ДАТЫ ИЗГОТОВЛЕНИЯ ИЗДЕЛИЯ

Дата изготовления изделия зашифрована в серийном номере, напечатанном на корпусе инструмента. Первые 2 цифры обозначают год выпуска, следующие 2 цифры – месяц и следующие 2 цифры – день

№. 1707300395

↓
↓
↓
 год месяц день

ВНЕШНИЙ ВИД ТРИММЕРА ЭЛЕКТРИЧЕСКОГО



1. Силовой кабель с вилкой
2. Корпус электродвигателя
3. Клавиша выключателя
4. Клавиша блокировки выключателя
5. Левая/правая рукоятки управления

6. Защитный кожух
7. Штанга
8. Узел крепления разъемной штанги
9. Соединительный кронштейн

ТЕХНИЧЕСКИЕ ХАРАКТЕРИСТИКИ

Номинальное напряжение	220 В
Номинальная мощность	2000 Вт
Режущие инструменты	леска/нож
Максимальная ширина скашивания	400 мм
Диаметр лески	1,6 мм
Тип штанги	разъемная
Обороты двигателя на холостом ходу	7500 об/мин
Велосипедная рукоятка	да
Вес	6,3 кг

Примечание:

Так как изделия постоянно совершенствуются, P.I.T. оставляет за собой право на внесение изменений в указанные здесь технические характеристики и комплектацию изделия без предварительного уведомления.

КОМПЛЕКТ ПОСТАВКИ

Шпуля с леской 1 шт.

Защитный кожух 1 шт.

Ранцевый ремень 1 шт.

Руководство по эксплуатации 1 шт.

Режущий диск 1 шт.

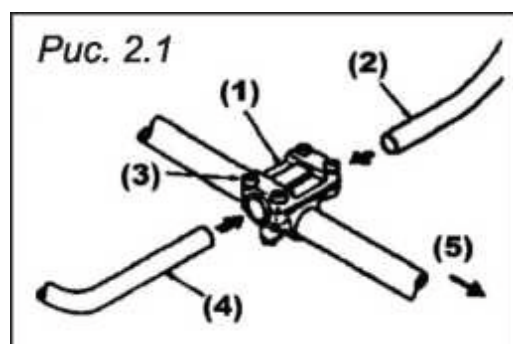
Комплект инструментов для сборки 1 шт.

СБОРКА

1. Велосипедная рукоятка (см. рис. 2) состоит из двух частей: левой и правой (6) ручек управления, которые прикреплены к штанге (10) с помощью соединительного кронштейна (12). Левая ручка служит для удержания электротриммера левой рукой, а правая ручка – для удержания правой рукой и управлением работой электротриммера. Установка велосипедной рукоятки производится в следующей последовательности (см. рис. 2.1)

1) ослабьте болты (3) на верхней крышке кронштейна (1);

2) вставьте левую (4) и правую (2) ручки управления в соединительный кронштейн согласно рис. 2.1 и затяните болты.



- 1 – верхняя крышка кронштейна;
 2 – правая ручка управления;
 3 – болт;
 4 – левая ручка управления;
 5 – сторона двигателя.

2. Отрегулируйте длину ремня таким образом, чтобы при работе режущий элемент электротриммера двигался параллельно поверхности земли. Пристегните карабин к держателю на штанге так, чтобы добиться идеального баланса между передней и задней частью электротриммера.
3. Соедините обе части штанги. Фиксирующий элемент на нижней штанге должен войти в направляющий паз на верхней штанге. Правильно собранное соединение нельзя разомкнуть без нажатия фиксирующего элемента.
4. Затяните дополнительное крепление на хомуте до упора. В зависимости от выполняемых работ вы можете вращать нижнюю штангу на фиксированные углы 90° и 180°. При этом нижняя штанга всегда будет надежно закреплена.
5. Отрегулируйте плечевой ремень и ручку триммера под индивидуальные требования. Закрутите болт крепления ручки триммера до упора.

Установка режущего диска

Внимание, разрешается использовать ножи предназначенные только для электрических и бензиновых триммеров (кусторезов).

Наденьте защитный чехол на нож (4). Наденьте фланец (5) на выходной вал (6). Совместите отверстие во фланце (5) с отверстием в корпусе редуктора и вставьте в него стержень фиксирующий (7). Наденьте нож (4) на выходной вал, убедившись, что он ровно лежит на фланце. Наденьте на выходной вал шайбу (8) плоской стороной к ножу и надежно зафиксируйте гайкой (9), завернув ее против часовой стрелки. Выньте фиксирующий стержень (7), вставьте шплинт (10) (если имеется в комплектации) в отверстие выходного вала и разогните его усы. Снимите защитный чехол ножа.

Снятие режущего ножа производите в обратном порядке.

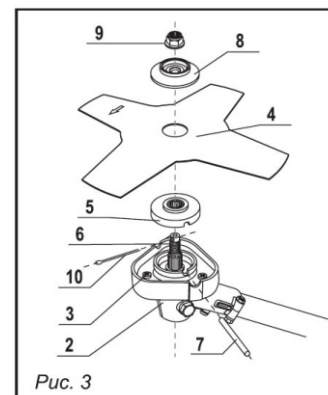


Рис. 3

Установка шпули с леской

Наденьте фланец (5) на вал выходной (6). Совместите отверстие во фланце (5) с отверстием в корпусе редуктора и вставьте в него стержень фиксирующий (7). Наверните шпулю с леской (12) на вал выходной (6) до упора с фланцем (5). Выньте фиксирующий стержень (7). Снятие кассеты с леской производите в обратном порядке.

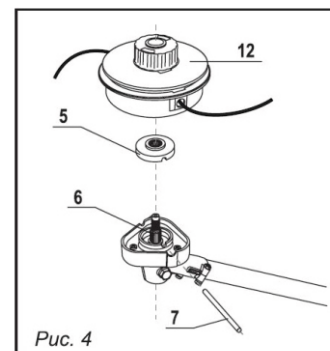


Рис. 4

Замена триммерной лески

Убедитесь, что диаметр лески составляет 2,0 мм. Удерживая корпус шпули (14) отверните фиксатор шпули (13). Выньте шпулю (15) с пружиной (16). Очистите внутреннюю поверхность шпули, проверьте степень износа втулок опорных (17), при необходимости замените. Возьмите примерно 5 м триммерной лески, сложите ее вдвое, таким образом, чтобы один конец лески был длиннее другого на 10–15 см и пропустите середину лески в прорезь перегородки двух блоков шпули. Удерживая пальцами оба конца лески (18), намотайте ее ровными плотными слоями на два блока шпули. Наматывайте леску в направлении указанном на катушке, при этом следите чтобы лески не перехлестывались. Вставьте концы лесок в пазы шпули. Соберите шпулю в обратном порядке, предварительно вставив концы лесок в соответствующие втулки (17). Удерживая шпулю, поочередно потяните за концы лесок для освобождения их из пазов шпули.

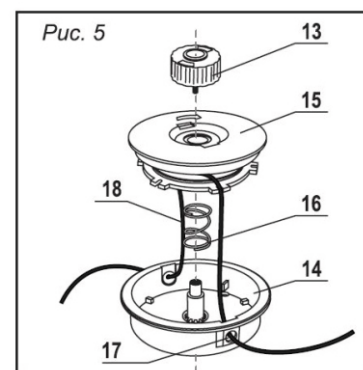


Рис. 5

ЗАПУСК

1. Подключите триммер к электрической сети. Крепко возьмите триммер за рукоятки. При пуске электрического триммера держите руки и ноги на безопасном расстоянии от зоны скашивания.

2. Нажмите клавишу блокировки выключателя и плавно надавите на кнопку включения. Кошение производить на максимальных оборотах, крепко держа триммер обеими руками за рукоятки.

Ваш триммер оборудован системой полуавтоматической подачи лески. Во время работы триммера на максимальных оборотах, слегка ударьте кассетой с леской по земле. Длина режущей лески увеличится примерно на 25 мм.

ЭКСПЛУАТАЦИЯ

Убедитесь, что устройство сбалансировано между двигателем и режущим инструментом. Режущий инструмент должен двигаться параллельно земле и не требовать усилий оператора для удерживания его в рабочей позиции.

Всегда переносите электротриммер так, чтобы режущий инструмент находился ниже уровня пояса и как можно дальше от себя и окружающих.

Рекомендуемая ширина полосы скашивания – 1,5 метра. При использовании дискового ножа для покоса травы или кустарника всегда косите справа налево для того, чтобы оставлять скошенную траву слева.

Избегайте попадания под режущий инструмент камней, земли и пр. При возникновении неисправностей в работе режущего инструмента (заклинивание ножа, спутывание лески и пр.) отключите его от сети.

Положите электротриммер на землю и проверьте, что режущий инструмент не был поврежден (поломка лопастей, трещины на лезвии или на корпусе кассеты). При необходимости, замените режущий инструмент.

Используйте защитные перчатки.

Использование режущего диска

При использовании дискового ножа, избегайте риска нанесения травмы себе и окружающим, соблюдая все правила безопасности. Обратите внимание на рис. 6.

При скашивании дисковым ножом работайте только зоной «А».

Зона «Б» применима в случае, если электротриммер прочно удерживается в руках.

Применять ее не рекомендуется.

Зона «НЕТ!» запрещена для применения по причине возникновения отброса электротриммера, ее использование может привести к увечьям окружающих.

Для эффективной работы необходимо учитывать, что количество оборотов двигателя электротриммера под нагрузкой должно быть максимальным. Без нагрузки работа двигателя на максимальных оборотах запрещена!

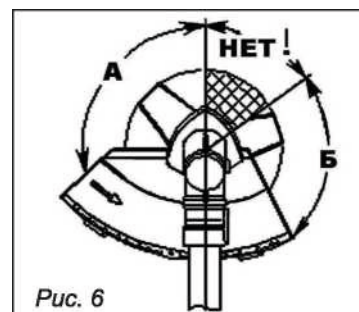


Рис. 6

Заточка режущего диска

Важно, чтобы режущий нож был тщательно отбалансирован. Во избежание сокращения ресурса редуктора электротриммера производите заточку режущих ножей в специализированных сервисных центрах.

ОБСЛУЖИВАНИЕ РЕДУКТОРА

Один раз в сезон проверить наличие смазки, при необходимости добавить.

Выкрутите болт сбоку корпуса редуктора, заправьте полость редуктора смазкой, предназначенной для работы при высоких температурах.

Запрещается производить разборку узлов самостоятельно! При обнаружении признаков самостоятельной разборки узлов не в уполномоченном сервисном центре, изделие не подлежит гарантийному ремонту!

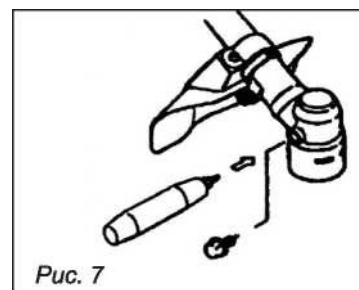


Рис. 7

ТЕХНИЧЕСКОЕ ОБСЛУЖИВАНИЕ

Вы приобрели долговечный и надежный электротриммер. Правильное использование и постоянное техническое обслуживание продлевают срок службы изделия.

В течение гарантийного срока эксплуатации запрещается разборка и ремонт электротриммера самостоятельно.

Ремонт электротриммера должен производиться в авторизованных сервисных центрах.

Запрещается использовать различные виды растворителей для очистки корпусных деталей изделия.

Запрещается хранить электротриммер в пыльных помещениях.



УСЛОВИЯ ГАРАНТИЙНОГО ОБСЛУЖИВАНИЯ

1. Настоящее гарантийное свидетельство является единственным документом, подтверждающим Ваше право на бесплатное гарантийное обслуживание. Без предъявления данного свидетельства претензии не принимаются. В случае утери или порчи гарантийное свидетельство не восстанавливается.

2. Гарантийный срок на электроинструмент составляет 12 месяцев со дня продажи, в течение гарантийного срока сервисная служба бесплатно устраняет производственные дефекты и производит замену деталей, вышедших из строя по вине изготовителя. На период гарантийного ремонта эквивалентный исправный инструмент не предоставляется. Заменяемые детали переходят в собственность служб сервиса. Компания P.I.T. не несет ответственности за вред, который может быть причинен при работе с электроинструментом.

3. В гарантийный ремонт инструмент принимается в чистом виде, при обязательном наличии надлежащим образом оформленных документов: настоящего гарантийного свидетельства, гарантийного талона, с полностью заполненными полями, штампом торговой организации и подписью покупателя.

4. Гарантийный ремонт не производится в следующих случаях:

- при отсутствии гарантийного свидетельства и гарантийного талона или неправильном их оформлении;
- при совместном выходе из строя якоря и статора электродвигателя, при обугливание или оплавлении первичной обмотки трансформатора сварочного аппарата, зарядного или пуско-зарядного устройства, при оплавлении внутренних деталей, прожоге электронных плат;
- если гарантийное свидетельство или талон не принадлежат данному электроинструменту или не соответствует установленному поставщиком образцу;
- по истечении срока гарантии;
- при попытках самостоятельного вскрытия или ремонта электроинструмента вне гарантийной мастерской; внесения конструктивных изменений и смазки инструмента в гарантийный период, о чем свидетельствуют, например, заломы на шлицевых частях крепежа корпусных деталей.
- при использовании электроинструмента в производственных или иных целях, связанных с получением прибыли, а также – при возникновении неисправностей связанных с нестабильностью параметров электросети, превышающих нормы, установленные ГОСТ;
- при неправильной эксплуатации (использование электроинструмента не по назначению, установки на электроинструмент не предназначенных заводом-изготовителем насадок, дополнительных приспособлений и т.п.);
- при механических повреждениях корпуса, сетевого шнура и при повреждениях, вызванных воздействиями агрессивных средств и высоких и низких температур, попадании инородных предметов в вентиляционные решетки электроинструмента, а также при повреждениях, наступивших в результате неправильного хранения(коррозия металлических частей);
- при естественном износе деталей электроинструмента, в результате длительной эксплуатации(определяется по признакам полной или частичной выработки ресурса, сильного загрязнения, ржавчины снаружи и внутри электроинструмента, отработанной смазки в редукторе);
- использование инструмента не по назначению, указанному в инструкции по эксплуатации.
- при механических повреждениях инструмента;
- при возникновении повреждений в связи с несоблюдением предусмотренных инструкцией условий эксплуатации(см. главу Указание по технике безопасности в инструкции).

–повреждение изделия вследствие несоблюдения правил хранения и транспортировки.

Профилактическое обслуживание электроинструмента (чистка, промывка, смазка, замена пыльников, поршневых и уплотнительных колец) в гарантийный период является платной услугой.

Срок службы изделия установлен производителем и составляет 2 года со дня изготовления.

О возможных нарушениях, изложенных выше условий гарантийного обслуживания, владельцу сообщается после проведения диагностики в сервисном центре.

Владелец инструмента доверяет проведение диагностики в сервисном центре в свое отсутствие.

Запрещается эксплуатация электроинструмента при проявлении признаков повышенного нагрева, искрения, а также шума в редукторной части. Для выяснения причин неисправности покупателю следует обратиться в гарантийную мастерскую.

Неисправности, вызванные несвоевременной заменой угольных щеток двигателя, устраняются за счет покупателя.

5. Гарантия не распространяется на:

- сменные принадлежности (аксессуары и оснастка), например: аккумуляторы, диски, ножи, сверла, буры, патроны, цепи, звездочки, цанговые зажимы, шины, элементы натяжения и крепления, головки триммеров, подошвы шлифовальных и ленточных машин, фильтры и т.п.,
- быстроизнашивающиеся детали, например: угольные щетки, приводные ремни, сальники, защитные кожухи, направляющие ролики, направляющие, резиновые уплотнения, подшипники, зубчатые ремни и колеса, стволы, ленты тормоза, храповики и тросы стартеров, поршневые кольца и т.п. Замена их в течение гарантийного срока является платной услугой;
- шнуры питания, в случае повреждения изоляции, шнуры питания подлежат обязательной замене без согласия владельца (услуга платная);
- корпуса инструмента;
- пыльные полотна;
- повреждений, которые вызваны несоответствием параметров сети номинальному напряжению, указанному в инструкции по применению;
- самостоятельного ремонта или попыток самовольного внесения изменений в конструкцию аппарата;
- сильного механического, электротехнического, химического воздействия;
- попадания внутрь аппарата агрессивных и токопроводящих жидкостей, наличие внутри аппарата металлической пыли / стружки
- сильное внутреннее загрязнение, повлекшее за собой неисправность.

ГАРАНТИЙНОЕ СВИДЕТЕЛЬСТВО НА ИНСТРУМЕНТ P.I.T.

Наименование изделия _____
Артикул изделия
Серийный номер
Дата продажи «__» _____
Наименование торговой организации _____

М.П.

Уважаемый покупатель!

Благодарим Вас за покупку инструмента P.I.T. и надеемся, что Вы останетесь довольны своим выбором. В процессе производства инструменты P.I.T. проходят многоуровневый контроль качества, если тем не менее Ваше изделие будет нуждаться в обслуживании, просим Вас обращаться в авторизованные сервисные центры P.I.T.

Внимание!

При покупке требуйте у продавца проверки комплектности и работоспособности инструмента, заполнение гарантийного свидетельства, гарантийного талона (графы заполняются продавцом) и простановки печати торговой организации в гарантийном свидетельстве и гарантийном талоне.

Гарантия

На основании данного гарантийного свидетельства компания P.I.T. гарантирует отсутствие дефектов производственного характера.

Если в течении гарантийного срока в Вашем изделии тем не менее обнаружатся указанные дефекты, специализированные сервисные центры P.I.T. бесплатно отремонтируют изделие и заменят дефектные детали.

Гарантийный срок на инструменты P.I.T. составляет 12 месяцев со дня продажи.

«С условиями гарантийного обслуживания ознакомлен(а). Работоспособность и комплектность изделия проверены в моем присутствии. Претензий к качеству и внешнему виду не имею».

Подпись покупателя _____ Фамилия (разборчиво) _____

Телефон _____



P.I.T. WARRANTY SHEET

Name _____
Serial number _____
The date of sale 201_____
The date of receipt of the repair 201_____



Name _____
Serial number _____
Date of sale "" _____
(Filled by seller)

Seal is here

WARRANTY REPAIR CARD

date of acceptance for repair ____ 201_____
Application for repair _____
Customer _____
Telephone (address) _____
The reason for petition _____
Tool checked in my presence _____
(The order is filled in the service center) (signature)

Seal is here

Name _____
Serial number _____
The date of sale 201_____
The date of receipt of the repair 201_____



Name _____
Serial number _____
Date of sale "" _____
(Filled by seller)

Seal is here

WARRANTY REPAIR CARD

date of acceptance for repair ____ 201_____
Application for repair _____
Customer _____
Telephone (address) _____
The reason for petition _____
Tool checked in my presence _____
(The order is filled in the service center) (signature)

Seal is here

Name _____
Serial number _____
The date of sale 201_____
The date of receipt of the repair 201_____



Name _____
Serial number _____
Date of sale "" _____
(Filled by seller)

Seal is here

WARRANTY REPAIR CARD

date of acceptance for repair ____ 201_____
Application for repair _____
Customer _____
Telephone (address) _____
The reason for petition _____
Tool checked in my presence _____
(The order is filled in the service center) (signature)

Seal is here

ГАРАНТИЙНЫЙ ТАЛОН P.I.T.

Наименование _____
 Серийный номер _____
 Дата продажи «__» _____ 201__ г.
 Дата получения из ремонта «__» _____ 201__ г.



Наименование _____
 Серийный номер _____
 Дата продажи «__» _____ 201__ г.
 (Заполняется продавцом)

М.П.

КАРТА ГАРАНТИЙНОГО РЕМОНТА __
 Дата приема в ремонт __ _____ 201__ г.
 Заявка на ремонт _____
 Заказчик _____
 Телефон(адрес) _____
 Причина обращения _____
 Дата получения из ремонта __ _____ 201__ г.
 Инструмент проверен в моем присутствии _____
 (Заказ заполняется в сервисном центре) (подпись)

М.П.

Наименование _____
 Серийный номер _____
 Дата продажи «__» _____ 201__ г.
 Дата получения из ремонта «__» _____ 201__ г.



Наименование _____
 Серийный номер _____
 Дата продажи «__» _____ 201__ г.
 (Заполняется продавцом)

М.П.

КАРТА ГАРАНТИЙНОГО РЕМОНТА __
 Дата приема в ремонт __ _____ 201__ г.
 Заявка на ремонт _____
 Заказчик _____
 Телефон(адрес) _____
 Причина обращения _____
 Дата получения из ремонта __ _____ 201__ г.
 Инструмент проверен в моем присутствии _____
 (Заказ заполняется в сервисном центре) (подпись)

М.П.

Наименование _____
 Серийный номер _____
 Дата продажи «__» _____ 201__ г.
 Дата получения из ремонта «__» _____ 201__ г.



Наименование _____
 Серийный номер _____
 Дата продажи «__» _____ 201__ г.
 (Заполняется продавцом)

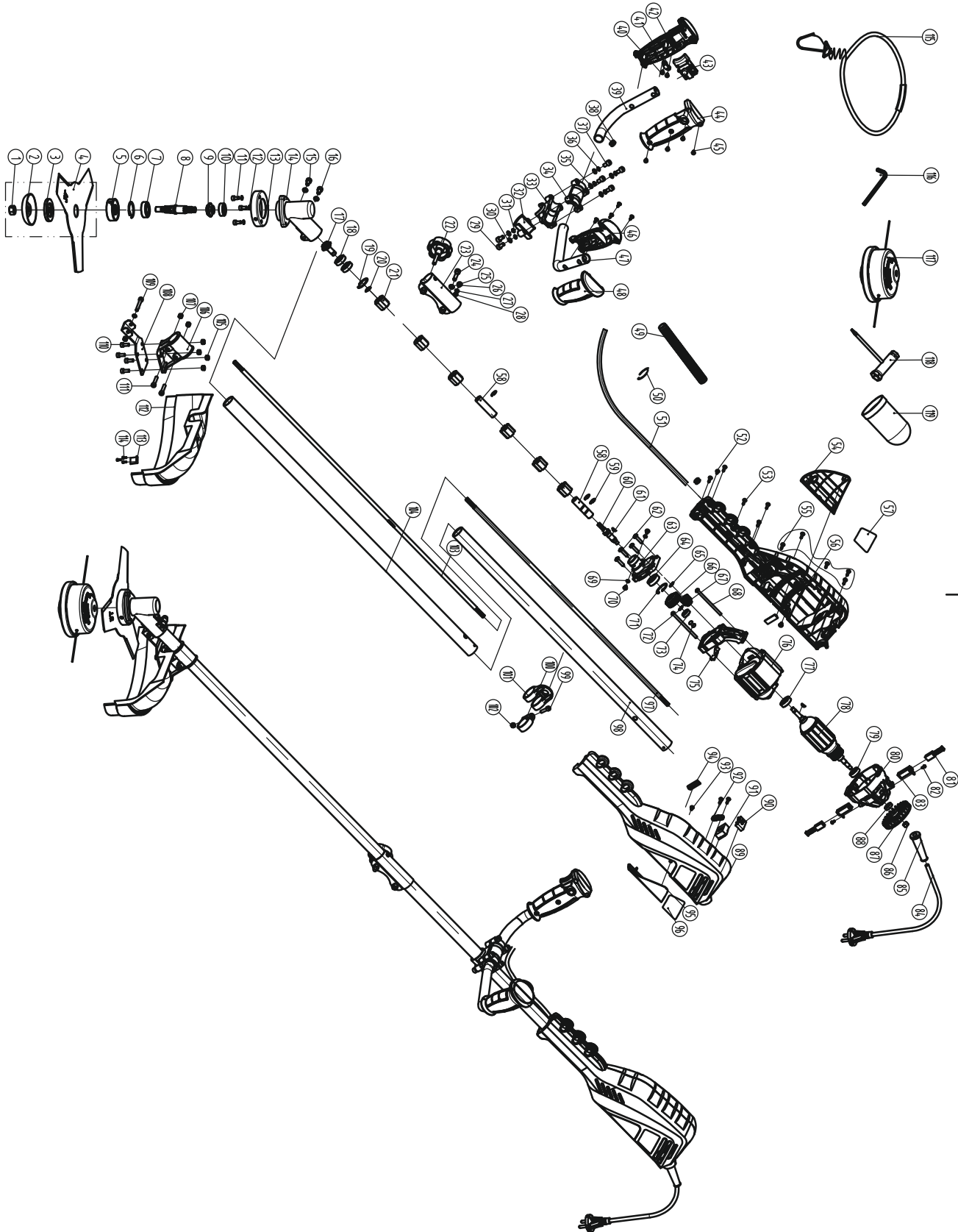
М.П.

КАРТА ГАРАНТИЙНОГО РЕМОНТА __
 Дата приема в ремонт __ _____ 201__ г.
 Заявка на ремонт _____
 Заказчик _____
 Телефон(адрес) _____
 Причина обращения _____
 Дата получения из ремонта __ _____ 201__ г.
 Инструмент проверен в моем присутствии _____
 (Заказ заполняется в сервисном центре) (подпись)

М.П.

P.I.T. WARRANTY SHEET / ГАРАНТИЙНЫЙ ТАЛОН P.I.T.

SCHEME / СХЕМА





Поставщик / производитель: Xinjiang Longbo Industrial Co., Ltd.
Адрес производства: Rm. 602, 6th Floor, No. 531, Weixing Road, Economic
And Technological Development Zone, Urumqi, Xinjiang, China
Импортер: ООО «Турбо-Тулс»
Юридический адрес: 614058, Пермский край, г. Пермь, ул. Фоминская, 36

Сделано в КНР / Made in China

Made in China

