

REMER

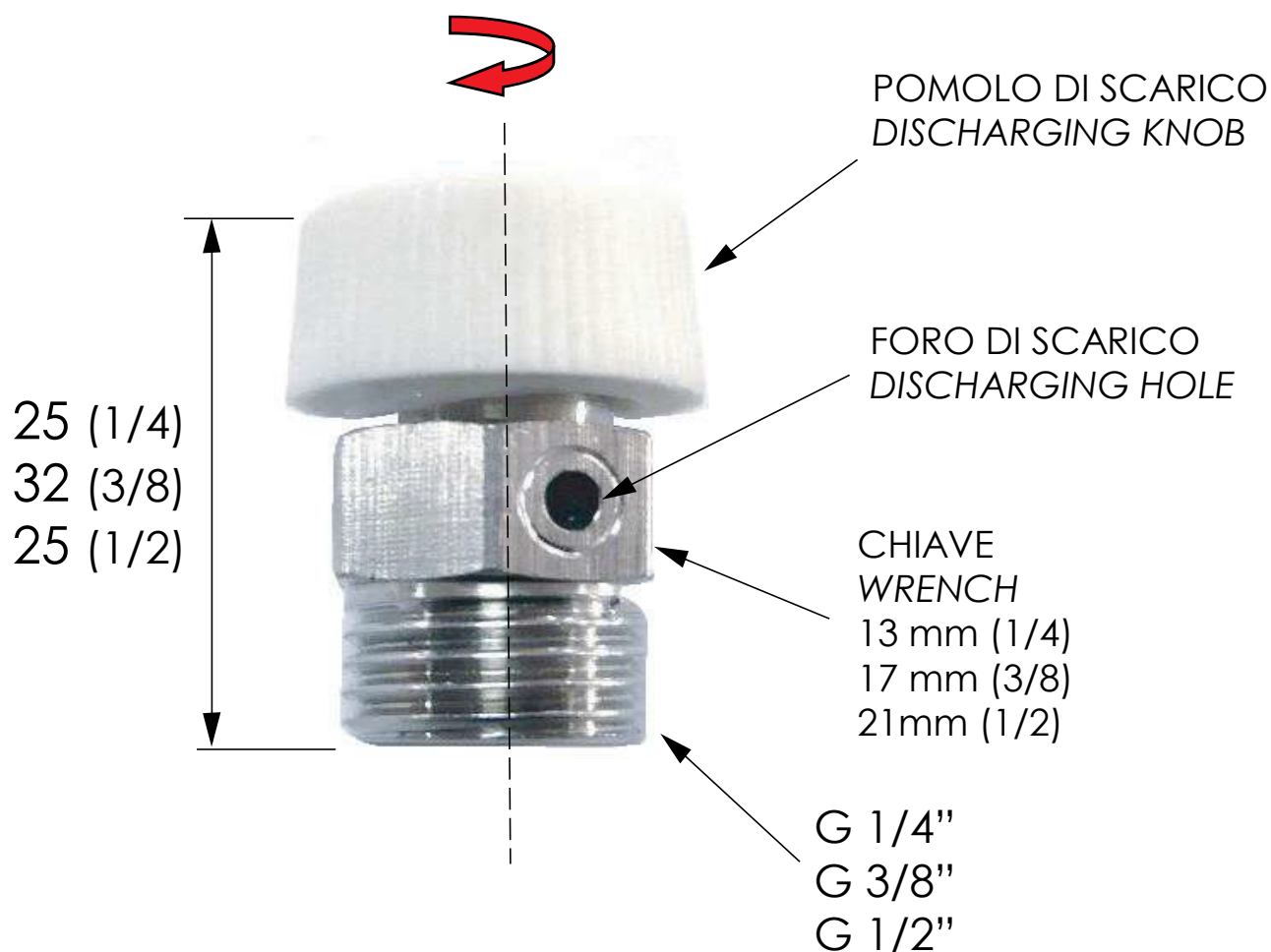
RUBINETTERIE

SCHEDA TECNICA

TECHNICAL FEATURES

ART. COD.

430



MATERIALI / MATERIALS

Corpo/Body: OTTONE NICHELATO / NICKEL PLATED BRASS

Inserto/Insert: NYLON PA 6

Via Leonardo da Vinci 83 - 20062 Cassano d'Adda (MI) Italy - Tel. +39-0363 364211

info@remer.eu

www.remer.eu