



P.I.T.[®]

Progressive Innovational Technology

EN

PRODUCT PASSPORT
USER'S MANUAL

RU

ПАСПОРТ ИЗДЕЛИЯ ИНСТРУКЦИЯ
ПОЛЬЗОВАТЕЛЯ

ENGRAVERS, NOZZLE SET 350 PCS **ГРАВЕР НАБР НАСАДОК 350 ШТ**



PMG200-C1

PROGRESSIVE INNOVATIONAL TECHNOLOGY

ПРОГРЕССИВНЫЕ ИННОВАЦИОННЫЕ ТЕХНОЛОГИИ



GENERAL SAFETY PRECAUTIONS

1. Always keep the workplace clean. Contaminated workplace and workbenches increase the risk of accidents.
2. Follow the operation manual carefully. Do not use the tool when it rains. Also do not use the tool in damp locations. The workplace should be well-lit. Do not use the tool near flammable liquids or gas. During operation, as well as power on and power off, the tool generates sparks. Therefore, never use the tool in places where there are varnishes, paints, gasoline, dissolvers, gas, adhesives and other flammable and explosive materials.
3. To prevent electric shock during operation, make sure that the tool case is not in contact with grounded objects, for example, when laying pipes, when installing heating batteries, plates, refrigerators, etc.
4. Keep children away from the electric tool while it is operating. Keep unauthorized persons away from the electric tool and power extender.
5. Store the tool in a dry and lockable place so that it does not fall into the hands of children or unauthorized persons.
6. Use the tool without pressure and applying force. The drill will work better and more reliably if you use the recommended speeds by the operation manual.
7. Use only those types of tools that directly comply with the requirements of this type of work. For jobs requiring a high power tool, you cannot use a tool with a lower power. It is recommended to use tools suitable for the application purposes, for example, do not use a circular saw in order to saw down knots or trees.
8. During work, wear comfortable and suitable clothing. Do not also wear apparels during operation. Loose parts of clothing or apparels can be tightened by moving parts of the tool. During work on the street, rubber gloves and comfortable shoes with lug sole should be worn on so that the sole does not slip.
9. If a large amount of dust forms during operation, wear safety goggles and an anti-powder mask.
10. Handle the cable with care. When unplugging, do not pull the cable. Do not leave the cable in the heat, on the oil surface or on the surface with sharp edges.
11. Secure the workpiece securely. Use clamps and jaw vices if possible to secure the part. This is more reliable than holding the part.
12. Do not tilt the tool too much. Always maintain a stable position and a good balance.
13. Watch closely for the tool conditions. For better and more reliable use, they must always be sharp and clean. Follow the operation manual for lubricating and replacing the accessories. Regularly check the tool cable condition and, if damaged, return it to the technical service centers for repairs. From time to time, check the power extender and replace it if damaged. Keep handles in a dry, clean place; do not allow oil and grease to enter the handles.
14. Disconnect tool from the mains, when not in use, and do not power on them during servicing or replacing accessories, such as a circular saw blade, drill bit, blade, etc.
15. Always check before power on the tool that the adjusting wrench and the wrench are removed.
16. Avoid involuntary power on the tool. Do not hold the connected tool by the switch. Before attaching, make sure that the tool is disconnected.
17. When working outdoors, use an appropriate power extender. Use only a power extender fits the wire cross-section.
18. Always keep the work process under control. Do not use tool if you are tired.
19. Inspect damaged parts carefully. Before further use of the tool, carefully check that the tool functions properly and if all the prescribed functions are performed by the tool. Also check the installation and fastening of moving parts, watch for parts breakage and other conditions that can adversely affect the operation of the tool. Damaged parts and protective equipment must be exchanged only in technical service centers. Defective switches are also exchanged in these centers. Do not use the tool if it cannot be powered on or off by the switch.
20. Use electric tools only for the purpose intended in the operation manual.
21. Using of the accessory components that are not listed in the operation manual or in the catalog may cause the tool damage.
22. Repair the tool only in special technical service centers. The manufacturer is not liable for damage or damage caused to the tool as a result of repair by persons who do not have special authority for this or as a result of careless handling of the tool.
23. In order to ensure the production integrity of the tool, never remove the built-in cases or bolts.
24. Do not touch the moving parts and accessories if the tool is not powered off.
25. Use a tool with low power consumption as indicated on the type plate of the tool, otherwise, due to overload, the quality of the surface to be treated, and consequently the efficiency, can be significantly reduced.
26. Do not wipe the plastic parts with solvent. Solvents such as gasoline, solvent, carbon tetrachloride, alcohol, ammonia and oil can damage the plastic material or cause cracks. When cleaning plastic parts, use soapy water and a wash-cloth.
27. Use only original replacement parts.
28. A detailed diagram of the elements in the operation manual is provided only for technical service centers.

INTENDED USE

Mini grinder kit PMG200-C1 can be used for carrying out minor mechanical work of different profile, drilling holes, deburring, grinding at high speed rough surfaces, etc. Useful for the home experts, jewelers, professional engravers and craftsmen.

EXPLANATION OF P.I.T. TRADEMARK

P.I.T. Progressive Innovational Technology

Currently, 10 kinds of mechanical and electrical equipment are produced under the P.I.T. trademark. In terms of sales, electric mini grinders occupy one of the leading positions.

Each letter and number in the designation of the model of P.I.T. mini grinder has the meaning.



OPERATION PRINCIPLE

Electromotor creates a rotating force for the accessory, fixed in the clamping chuck. The rotation speed of the motor itself is normal, so the gearbox is not used in the tool to reduce the rotation speed.

PRODUCT SPECIFICATIONS

PMG200-C1	
Rated voltage	220 V
Rated frequency	50 Hz
Collet chuck	2.4-3.2 mm
No-load speed	10,000-33,000 rpm
Rated capacity	150 W
Weight	0.63 kg

FUNCTIONAL CAPABILITIES AND FEATURES OF THE ELECTRIC MINI GRINDER

Functional capabilities:

It is used for grinding, engraving and drilling holes in plastic, ceramics, metal and wood. The tool is equipped with a speed controller.

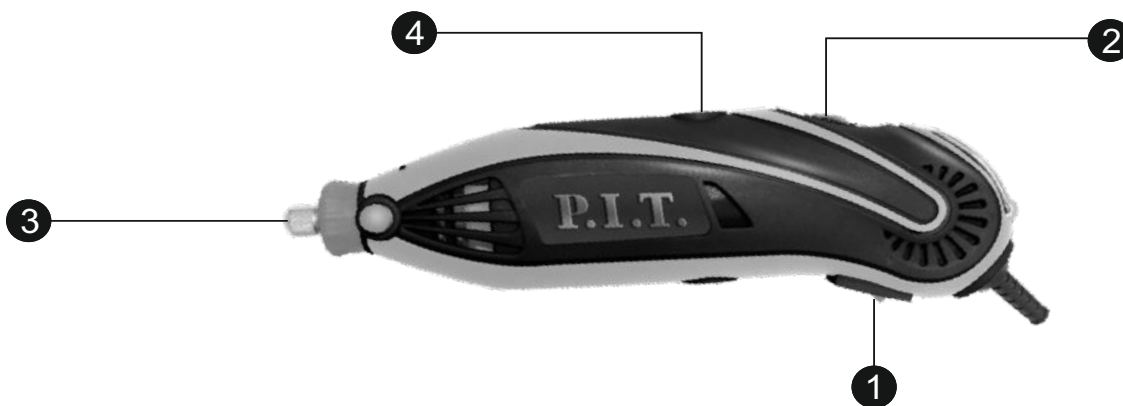
Features:

- Sensitive start-up, accuracy of work
- Fully plastic case, lightweight and durable
- Plastic case + head pieces

Note: ■ – available □ – not available

MODEL	DOUBLE INSULATION	SPEED CONTROLLER	REVERSE ROTATION	SELF-BLOCKING KEY
PMG200-C1	■	■	□	■

ELECTRIC MINI GRINDER ASSEMBLY



1. On/Off control
2. Speed controller
3. Collet chuck nut
4. Carbon brush cover

RULES OF OPERATION

GENERAL WARNINGS FOR GRINDING AND ABRASIVE CUTTING OPERATIONS

- a) This power tool is designed to work as a grinding machine. Read all warnings, manuals, illustrations, and specifications provided with this power tool. Failure to follow any of the instructions below may result in electric shock, fire and/or serious injury.
- b) It is not recommended that this power tool perform work such as abrasive paper, wire brush cleaning, polishing or cutting. Work for which this tool is not intended may be hazardous and may result in personal injury.
- c) Do not use head pieces that have not been specifically designed and recommended by the tool manufacturer. The fact that one or the other head piece can be installed on your tool does not mean that it can be safely used.
- d) The nominal speed of the head piece shall not be less than the maximum speed of the power tool. Head pieces operating at speeds above nominal speed may break and fly apart by pieces.
- e) The outside diameter and thickness of the head piece must be within the range permitted for your power tool. Head pieces of the wrong size cannot be reliably covered with a board, and present difficulties in control.
- f) The size of the cutting blade grooving, flange base coats and any other head pieces must exactly match the size of the power tool spindle. Head pieces with a groove size that does not match the installation parts of the power tool can become loose, cause excessive vibration and lead to loss of control over the tool.
- g) Do not use damaged head pieces. Before use, check the head piece such as abrasive wheels for chipping and cracking, the base coat for cracks, tears or excess wear, wire brush on the subject of loose and broken wires. If the tool or head piece falls, check for damage or install an undamaged head piece. After inspecting and installing the fallen head piece, position the tool so that neither you nor any other persons fall into the head piece rotation plane, and turn the tool on at full speed at on-load speed for one minute. If the head piece is damaged, it should burst during this time.
- h) Wear personal protective equipment. Depending on the application, use a protective mask, goggles. If necessary, wear a mask, protective headphones, gloves and an apron that can protect against small particles of abrasive or fragments of the workpiece. Eye protection devices must protect against flying debris produced by various types of work. Mask or respirator must stop the particles created in the process. Prolonged exposure to loud noise can cause hearing loss.
- i) Keep unauthorized persons at a safe distance from the work site. All persons at the work site must wear personal protective equipment. Fragments of the workpiece or of a broken head piece may fly out of the immediate area of work and cause injury.
- j) When performing work in which the cutting tool may come into contact with hidden wiring or its power cord, hold the tool by the insulated surfaces of the handles. Upon contact with the live wire, the voltage will be communicated to the unprotected metal parts and the operator will receive an electric shock.
- k) Keep the power cord at a safe distance from the rotating head piece. If you lose control of the tool, the head piece can cut or grab the power cord, and you or your hand can be pulled towards the rotating head piece.
- l) Never put the power tool down until the head piece stops completely. The rotating head piece can cling to the surface and take the tool out of your control.
- m) Do not run the power tool while keeping it close to the body next to you. The casual contact of the garment with the rotating cutting head piece can grab it and the head piece will be pulled to your body.
- n) Clean the air intakes of the power tool regularly. The motor fan draws dust into the case and accumulated metal dust can cause electric shock.
- o) Do not use power tools in the vicinity of combustible materials, sparks may ignite them.
- p) Do not use devices that require liquid cooling. Use of water or other liquids may result in death by shock or electric shock.

KICKBACK AND PRECAUTIONS

Kickback – a disruptive reaction to the jamming of the rotating disk, lining, brush or any other head piece. Jamming causes an abrupt halt of the rotating head piece, which in turn causes the tool out of control to twitch with force in the direction opposite to the rotational moment at the point of jamming. For example, if the abrasive disk is clamped by the workpiece, the disk edge entering the clamping point may go into the surface of the material, causing the disk to jump outboard. The disk can bounce both in the direction of the operator and away from it depending on the disk rotation direction at the point of jamming. The abrasive wheel may break herein.

Kickback is the result of improper use of the power tool and / or non-compliance with the order or operating conditions and may be prevented by the following precautions:

- a) Hold the power tool firmly, keep the position of the body and hands in which you can cope with the force of the kickback. Always use the optional handle, if it is included with the power tool, to ensure the best control of the kickback or reactive torque at start-up. The operator is able to cope with the reactive torque or kickback force if appropriate precautions are taken. Never bring your hand near a spinning head piece. The head piece can bounce off and hurt your hand.
- c) Keep a safe distance from the potential kickback area of the power tool. The kickback will push the tool in the direction opposite to the torque at the jamming point.
- d) With extreme caution, perform the processing of corners, sharp edges etc. to avoid oscillations, and jam the head piece. Corners, sharp edges, fluctuations can lead to jamming of the rotating head piece, cause loss of control over the tool and kickback.
- e) Do not install the cutting chain for woodcutting or a toothed saw on the tool. Such head piece often leads to a kickback and loss of control over the tool.

SAFETY WARNINGS SPECIFIC TO GRINDING AND ABRASIVE CUTOFF

- a) Use only those types of disks that are recommended for use with your power tool and shields designed for the disks used. The disks which are not provided by a design of the electric tool cannot be reliably covered with guards and, as a result, are unsafe.
- b) Disks shall be used strictly for their intended purpose. For example, grinding cannot be carried out by the cutting disk side. Abrasive cutoff disks are suitable only for grinding by the disk circumference; the application to such disk of lateral forces can split it.
- c) Always use undamaged flanges suitable to the used disk in shape and size. Flanges of the appropriate type support the disk, reducing the likelihood of damage. Flanges for cutoff disks may be different from the flanges for grinding disks.
- d) Do not use worn out disks from larger power tools. Disks designed for larger power tools are not suitable for working at higher speeds of the smaller size tool and can burst.

SPECIAL SAFETY RULES

Attention!

Always wear eye and hearing protection when using this tool.

1. Children.

Children and strangers should be at a distance from the work place. Children should not be allowed to use the tool. When not in use, keep it in a safe place out of the reach of children.

2. Avoid electric shock.

During operation, the cord must be at a safe distance from the tool. Do not stand near equipment connected to a mains during operation.

3. Working conditions.

Do not use this tool in wet or dampness places, or near flammable liquids or gases.

4. Personal safety.

For your own safety, always wear protective goggles and hearing protection. Secure the back of your long hair, and keep your fingers at a safe distance from moving parts.

5. Clothes.

Try not to wear loose clothes and apparels.

6. Protect the cord from damage.

Do not carry the tool by holding the cord; do not pull the cord if you need to pull the plug out of the socket. Do not allow the cord to heat up. Exposure to oil, solvents, and sharp objects can damage the insulation.

7. Disconnect the tool.

If you are not using the tool, and if you are replacing the working part, make sure that the tool is disconnected from the mains.

8. Before you start, inspect the cord.

Periodically inspect the tool cord and extension cords used for damage or excessive wear. If damaged, do not use the cord. Repairs must be carried out by a qualified electrician.

9. Before you start, inspect the tool.

Inspect the tool for damage, cracks, or missing parts. In case of any doubt, do not use the tool and consult a qualified electrician.

10. Do not allow uncontrolled turn on of the tool.

Make sure the on/off control is in the OFF position before inserting the plug into the power socket.

11. Be safe!

Electric tools require constant attention from the user. Do not use the tool if you are tired.

12. The tool turns off during operation.

If your tool stops unexpectedly or if you suspect that it is faulty, disconnect it from the mains. Only then can you take the hands of replaceable head pieces or other moving parts.

13. Secure the workpiece.

Before using the tool, make sure that the workpiece is securely fastened or clamped.

14. Do not use damaged or bent replacement devices. Replace them immediately.

15. If the tool is running at high speeds, or for an extended period of time, regularly check how is tight the collet chuck.

16. The auxiliary devices shall be designed at least for the speed indicated on the tool nameplate.

17. For your own safety, use only the head pieces / accessories supplied by the manufacturer.

18. In case complete with glued abrasive product supplied absorbing materials, make sure their proper use.

19. Before turning on the power tool, make sure that the abrasive product is properly and securely fastened. Let the tool run for 30 seconds in a safe position. In case of strong vibration or other problems, turn off the power tool immediately. Inspect the tool and find the cause of these problems.

20. Do not use separate adapter sleeves or adapters to mount the grinding disk with a large diameter hole.

21. Do not use cutting disks for side grinding.

22. Make sure that the sparks generated during operation do not pose a danger, that is, do not get into people, or do not ignite flammable substances;

23. When working in dusty conditions, make sure that the vents are open. If dust needs to be removed, first disconnect the power tool from the mains. To clean, use non-metallic objects, try not to damage the internal parts of the power tool.

24. Always use eye and hearing protection. Other personal protective equipment such as dust mask, gloves, helmet and apron must be used;

25. Remember that the grinding disk continues to rotate after the power tool is turned off.

26. If the tool is running at high speeds, or for an extended period of time, regularly check how is tight the collet chuck.

Tool installation and replacement

While holding down the spindle clamp button, slowly turn the clamping jaws until the button is fully pressed and locked in this position. Never press the locking pin while the power tool is running.

To loosen the collet clamp nut, press the locking pin and turn counterclockwise.

Insert the shaft of the accessory into the collet clamp. Always choose a collet clamp that is the same size as the cutter being installed. In order to reduce the risk of device curving, or the occurrence of strong vibration, make sure that all the tools are fully inserted.

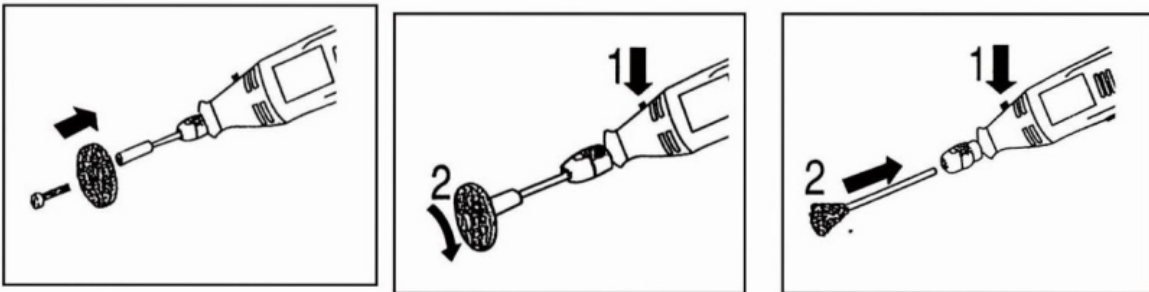
To tighten the collet clamp nut slightly, press down on the locking pin and turn clockwise.

Installing disk devices

Use the spindle supplied with the tool.

Insert the spindle according to the tool installation procedure. Make sure the collet clamp nut is tightened and the spindle is securely fastened.

Use a small screw at the top of the spindle to secure the disk. Avoid over tightening the screw as this may damage the tool.



MAINTENANCE

This power tool does not require special maintenance. Clean the air vents regularly. Do not allow liquid to enter the power tool. Do not use household cleaners such as turpentine or paint thinner to clean the power tool.

WARNING! Unused power tools cannot be disposed of in conjunction with household waste. Such a tool must be handed over to the local collection point for disposal, environmentally friendly, in accordance with local regulations.

TERMS OF WARRANTY SERVICE

1. This Warranty Certificate is the only document that confirms your right to free warranty service. Without presenting this certificate, no claims are accepted. In case of loss or damage, the warranty certificate is not restored.

2. The warranty period for the electric machine is 12 months from the date of sale, during the warranty period the service department eliminates manufacturing defects and replaces parts that have failed due to the fault of the manufacturer free of charge. In the warranty repair, an equivalent operable product is not provided. Replaceable parts become property of service providers.

P.I.T is not liable for any damage that may be caused by operation of the electric machine.

3. Only clean tool accompanied with the following duly executed documents: this Warranty Certificate, Warranty Card, with all fields filled out, bearing the stamp of the trade organization and the signature of the buyer, shall be accepted for warranty repair.

4. Warranty repair is not performed in the following cases:

- in the absence of a Warranty Certificate and a Warranty Card or their incorrect execution;
- with failure of both a rotor and a stator of the electric engine, charring or melting of primary winding of the welding machine transformer, charging or starting-charging device, with internal parts melting, burn down of electronic circuit boards;
- if a Warranty Certificate or a Warranty Card does not correspond to this electric machine or to the form established by the supplier;
- upon expiration of the warranty period;
- at attempts of opening or repair of the electric machine outside the warranty workshop; making constructive changes and lubrication of the tool during the warranty period, as evidenced, for example, by the creases on the spline parts of the fasteners of non-rotational parts.
- when using electric tools for production or other purposes connected with making a profit, as well as in case of malfunctions related to instability of the power network parameters exceeding the norms established by GOST;
- in the events of improper operation (use the electric machine for other than intended purposes, attachments to the electric machine of attachments, accessories, etc. not provided by the manufacturer);
- with mechanical damage to the case, power cord and in case of damages caused by aggressive agents and high and low temperatures, ingress of foreign objects in the ventilation grids of the electric machine, as well as in case of damage resulting from improper storage (corrosion of metal parts);
- natural wear and tear on the parts of the electric machine, as a result of long-term operation (determined on the basis of the signs of full or partial depletion of the specified mean life, great contamination, presence of rust outside and inside the electric machine, waste lubricant in the gearbox);
- use of the tool the purposes for other than specified in the operating instructions.
- mechanical damages to the tool;
- in the event of damages due to non-observance of the operating conditions specified in the instruction (see chapter "Safety Precautions" of the Manual).
- damage to the product due to non-observance of the rules of storage and transportation.

Preventive maintenance of electric machines (cleaning, washing, lubrication, replacement of anthers, piston and sealing rings) during the warranty period is a paid service.

The service life of the product is determined by the current legislation and is 5 years from the date of manufacture.

The owner is notified of any possible violations of the above terms of warranty service upon completion of diagnostics in the service center.

The owner of the tool entrusts the diagnostic procedure to be conducted in the service center in his absence.

Do not operate the electric machine when there are signs of excessive heat, sparking, or noise in the gearbox. To determine the cause of the malfunction, the buyer should contact the warranty service center.

Malfunctions caused by late replacement of carbon brushes of the engine are eliminated at the expense of the buyer.

5. The warranty does not cover:

- replacement accessories (accessories and components), for example: batteries, disks, blades, drill bits, borers, chucks, chains, sprockets, collet clamps, guide rails, tension and fastening elements, trimming device heads, base of grinding and belt sander machines, filters, etc.,
- fast wearing parts, for example: carbon brushes, drive belts, seals, protective covers, guiding rollers, guides, rubber seals, bearings, toothed belts and wheels, shanks, brake belts, starter ratchets and ropes, piston rings, etc. Their replacement during the warranty period is a paid service;
- power cords, in case of damage to the insulation, power cords are subject to mandatory replacement without the consent of the owner (paid service);
- tool case.

P.I.T. WARRANTY CERTIFICATE

Product Name _____

Product Number

Serial Number

Place of Seal

Sale Date _____

Trade Organization Name _____

Dear customer!

Thank you for purchasing the P.I.T tool, and we hope that you will be satisfied with your choice. In the process of manufacturing the P.I.T tools pass multilevel quality control, if nevertheless your product will need maintenance, please contact the authorized P.I.T service centers.

Attention!

When buying, ask a seller to check the completeness and operability of the tool, to fill out the Warranty Certificate, the Warranty Card (the boxes shall be filled out by a seller) and to affix the seal of the trade organization in the Guarantee Certificate and the Warranty Card.

Warranty

By this Warranty Certificate, P.I.T. company guarantees the absence of defects of the production nature.

In the event any of the above defects are detected during the warranty period, the specialized P.I.T. service centers shall repair the product and replace the defective spare parts free of charge.

The warranty period for P.I.T. electric machines is 12 months from the date of sale.

“The warranty maintenance terms acknowledged and accepted. The operability and completeness of the product are checked in my presence. No claims on quality and appearance.”

Buyer's Signature _____ **Surname (legibly)** _____

Phone _____

ОБЩИЕ МЕРЫ БЕЗОПАСНОСТИ

1. Всегда поддерживайте рабочее место в чистом состоянии. Загрязненные рабочие поверхности и верстаки повышают опасность несчастного случая.
2. Строго соблюдайте рекомендации инструкции по эксплуатации. Не используйте инструмент во время дождя. Также не используйте инструмент во влажных помещениях. Рабочее место должно быть хорошо освещено. Не используйте инструмент вблизи легковоспламеняющихся жидкостей или газа. Во время эксплуатации, а также при включении и выключении инструмент вырабатывает искры. Поэтому никогда не используйте инструмент в тех местах, где находятся лак, краски, бензин, растворитель, газ, клей и другие воспламеняющиеся и взрывоопасные материалы.
3. Чтобы Вас во время работы не ударило током, следите за тем, чтобы корпус инструмента не был в контакте с заземленными предметами, например при прокладке труб, при установке отопительных батарей, плит, холодильников и т.д.
4. Храните инструмент таким образом, чтобы дети не могли им воспользоваться. Избегайте контакта других лиц с инструментом или удлинителем.
5. Храните инструмент в сухом и запираемом месте, чтобы он не попал в руки детям или другим лицам.
6. Используйте инструмент без нажима и применения силы. Дрель будет работать лучше и надежнее, если использовать скорости, рекомендуемые инструкцией.
7. Пользуйтесь только теми инструментами, которые непосредственно соответствуют требованиям работы данного типа. Для работ, требующих инструмент высокой мощности, нельзя использовать инструмент с более низкой мощностью. Рекомендуется использовать инструменты, соответствующие цели применения например, не следует применять циркулярную пилу для того, чтобы отпилить сучки или спилить дерево.
8. Во время работы следует надевать удобную и подходящую для работы одежду. Не следует также во время работы надевать украшения. Свободно болтающиеся части одежды или украшения могут быть затянуты движущимися частями инструмента. Во время работы на улице следует надевать резиновые перчатки и удобную обувь на рифленой подошве, чтобы подошва не скользила.
9. Если во время работы образуется большое количество пыли, то следует надевать защитные очки и противопылевую маску.
10. Осторожно обращайтесь с кабелем. При выключении из розетки не тяните за кабель. Не оставляйте кабель на жаре, на масляной поверхности или на поверхности с острыми краями.
11. Надежно закрепляйте обрабатываемую деталь. Для закрепления детали используйте по возможности тиски и зажимы. Это более надежно, чем удерживать деталь в руках.
12. Не наклоняйте инструмент слишком сильно. Всегда сохранять устойчивое положение и хороший баланс.
13. Внимательно следите за состоянием инструментов. Для лучшего и более надежного использования они должны быть всегда острыми и чистыми. Следуйте указаниям по смазке и замене комплектующих деталей. Регулярно проверяйте состояние кабеля инструмента и при повреждении отдавайте в ремонт в центры техобслуживания. Время от времени проверяйте удлинитель и заменяйте его при повреждении. Рукоятки храните в сухом, чистом месте, не допускайте попадания на рукоятки масла и жира.
14. Отсоединяйте инструменты от сети, если они не используются, и не включайте при техобслуживании или замене комплектующих деталей, таких, как например, пильный диск, сверло, нож и т.д.
15. Всегда проверяйте перед включением инструмента, удалены ли установочный и гаечный ключи.
16. Избегайте непроизвольного включения инструмента. Не держите подсоединенный инструмент за переключатель. Перед присоединением убедитесь, что инструмент выключен.
17. При работе на свежем воздухе используйте соответствующий удлинитель. Используйте только такой удлинитель, который подходит по сечению провода.
18. Процесс работы всегда держите под контролем. Не работайте с инструментом в утомленном состоянии.
19. Внимательно проверяйте поврежденные детали. Перед дальнейшим использованием инструмента тщательно проверяйте, правильно ли функционирует прибор и все ли предписанные функции он выполняет. Также проверяйте установку и закрепление движущихся частей, следите за поломкой частей и другими состояниями, которые могут отрицательно сказаться на работе инструмента. Испорченные детали и предохранительные устройства должны обмениваться только в центрах техобслуживания. Дефектные выключатели также обмениваются в этих центрах. Не используйте инструмент, если он не может быть включен или выключен с помощью выключателя.
20. Используйте электроинструменты только по назначению, указанному в инструкции по эксплуатации.
21. Использование комплектующих деталей, не указанных в инструкции по эксплуатации или в каталоге, может привести к поломке инструмента.
22. Инструмент ремонтируйте только в специальных центрах техобслуживания. Изготовитель не несет ответственности за повреждения или порчу, причиненную инструменту в результате его ремонта лицами, не имеющими на это специальных полномочий или в результате неосторожного обращения с инструментом.
23. Для того чтобы обеспечить производственную целостность инструмента, никогда не удаляйте вмонтированные крышки или болты.
24. Не дотрагивайтесь до движущихся частей и комплектующих деталей, если инструмент не выключен.
25. Инструмент с незначительной потребляемой мощностью используйте так, как указано в типовой табличке инструмента, в противном случае из-за перегрузки качество обрабатываемой поверхности, а соответственно и КПД, может значительно снизиться.
26. Не протирайте растворителем пластиковые детали. Растворители, такие как бензин, растворитель, четыреххлористый углерод, спирт, аммиак и масло могут испортить пластиковый материал или стать причиной трещин. При чистке пластиковых деталей используйте мыльную воду и тряпочку.
27. Используйте только оригинальные сменные детали..
28. Подробная схема элементов, расположенная в руководстве по эксплуатации, представлена только для сервисных центров.

НАЗНАЧЕНИЕ

Гравировальный набор PMG200-C1 может быть использован для проведения мелких механических работ самого различного профиля – сверления отверстий, зачистки заусенцев, шлифовки на высоких оборотах шероховатых поверхностей, нанесения гравировки и т.п. Полезен домашним мастерам, ювелирам, профессиональным граверам и народным умельцам.

РАСШИФРОВКА ТОРГОВОЙ МАРКИ P.I.T.[®] Progressive Innovative Technology

(Прогрессивные Инновационные Технологии)

В настоящее время под маркой P.I.T. выпускается механическое и электрическое оборудование 10 видов. По объему продаж электрические дрели занимают одно из лидирующих мест. Каждая буква и цифра в обозначении модели электрического гравера P.I.T. имеет значение.



ПРИНЦИП РАБОТЫ

Электрический двигатель, создает вращающую силу для оснастки, закрепленную в зажимном патроне. Скорость вращения самого электродвигателя в нормальном режиме, поэтому в инструменте редуктор не используется для уменьшения скорости вращения.

ТЕХНИЧЕСКИЕ ХАРАКТЕРИСТИКИ

	PMG200-C1
Номинальное напряжение	220 В
Номинальная частота	50 Гц
Цанговый патрон	2,4-3,2 мм
Скорость вращения на холостом ходу	10000-33000 об/мин
Номинальная мощность	150 Вт
Вес	0,63 кг

ФУНКЦИОНАЛЬНЫЕ ВОЗМОЖНОСТИ И ОСОБЕННОСТИ ЭЛЕКТРИЧЕСКОГО ГРАВЕРА

Функциональные возможности:

Применяется для шлифовки, гравировки и просверливания отверстий в пластике, керамике, металле и дереве.

Инструмент оснащен регулятором установки скорости.

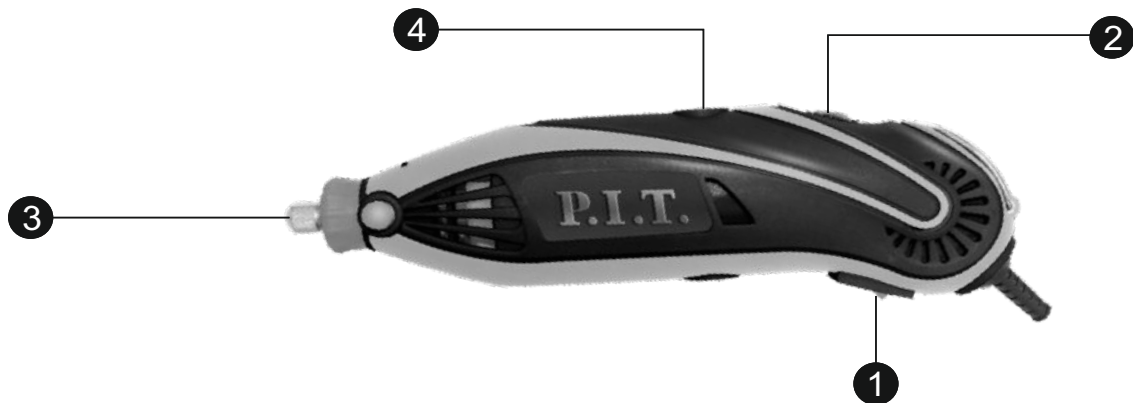
Особенности:

- чувствительный запуск, точность выполнения работ
- полностью пластиковый корпус, легкий и прочный
- пластиковый кейс + насадки

Примечание: есть ■ отсутствует □

Модель	Двойная изоляция	Устройство регулировки скорости	Реверсное вращение	Кнопка самоблокировки
PMG200-C1	■	■	□	■

УСТРОЙСТВО ЭЛЕКТРИЧЕСКОГО ГРАВЕРА



1. Переключатель «Вкл/Выкл»
2. Регулятор скорости вращения
3. Гайка цангового патрона
4. Крышка угольных щеток

ПРАВИЛА ЭКСПЛУАТАЦИИ

Общие предупреждения для шлифовальных и абразивно-отрезных работ

- a) Данный электроинструмент предназначен для работы в качестве шлифовальной машины. Ознакомьтесь со всеми предупреждениями, инструкциями, иллюстрациями, и техническими характеристиками, предоставляемыми с настоящим электроинструментом. Невыполнение какой-либо из нижеприведенных инструкций может привести к поражению электрическим током, возникновению пожара и/или получению серьезных травм.
- b) Не рекомендуется выполнять данным электроинструментом такие виды работ как шлифование шкуркой, очистка проволочной щеткой, полировка или отрезка. Проведение работ, для которых данный инструмент не предназначен, могут представлять опасность и угрожать получением травм.
- c) Не используйте насадки, которые не были специально разработаны и рекомендованы производителем инструмента. Тот факт, что та или иная насадка может быть установлена на ваш инструмент еще не означает то, что ее можно безопасно использовать.
- d) Номинальная частота вращения насадки должна быть не меньше максимальной частоты вращения электроинструмента. Насадки, работающие с частотой вращения выше номинальной, могут сломаться и разлететься в стороны.
- e) Внешний диаметр и толщина насадки должны быть в диапазоне допустимом для вашего электроинструмента. Насадки неправильного размера не могут быть надежно прикрыты щитком, и представляют трудности в управлении.
- f) Размер пазов отрезных кругов, фланцев подложек, и любых других насадок, должен точно соответствовать размеру шпинделя электроинструмента. Насадки с размером паза несоответствующим установочным деталям электроинструмента, могут разболтаться, вызвать излишнюю вибрацию и привести к потере контроля над инструментом.
- g) Не используйте поврежденные насадки. Перед использованием, проверяйте такие насадки как абразивные круги на предмет зазубрин и трещин, подложку на предмет трещин, разрывов или чрезмерного износа, проволочную щетку на предмет болтающихся и разорванных проволок. При падении инструмента или насадки, проверьте их на предмет повреждений или установите неповрежденную насадку. После осмотра и установки упавшей насадки, расположите инструмент таким образом, чтобы ни вы, ни другие лица не попадали в плоскость вращения насадки, и на одну минуту включите инструмент на полную скорость на холостом ходу. Если насадка повреждена, то она должна лопнуть за это время.
- h) Носите средства индивидуальной защиты. В зависимости от области применения, используйте защитную маску, защитные очки. При необходимости носите респираторную маску, защитные наушники, перчатки и фартук, способные защитить от мелких частиц абразива или фрагментов обрабатываемой детали. Приспособления для защиты глаз, должны предохранять от летящего мусора, производимого различными видами работ. Маска, или респиратор должны останавливать частицы, создаваемые в процессе работы. Продолжительное воздействие сильного шума может привести к потере слуха.
- i) Держите посторонних лиц на безопасном расстоянии от места проведения работ. Все лица находящиеся на месте проведения работ должны носить средства индивидуальной защиты. Фрагменты обрабатываемой детали или сломанной насадки могут отлететь за границу непосредственной зоны проведения работ и причинить травму.
- j) При выполнении работ, при которых режущий инструмент может придти в соприкосновение со скрытой проводкой или своим шнуром питания, держите инструмент за изолированные поверхности рукояток. При контакте с проводом находящимся под напряжением, напряжение сообщится незащищенным металлическим деталям и оператор получит удар электрическим током.
- k) Держите шнур питания на безопасном расстоянии от вращающейся насадки. Если вы потеряете контроль над инструментом, насадка может перерезать или захватить шнур питания, а вы или ваша рука может быть притянута к вращающейся насадке.
- l) Никогда не кладите электроинструмент до полной остановки насадки. Вращающаяся насадка может зацепиться за поверхность и вывести инструмент из под вашего контроля.
- m) Не запускайте электроинструмент держа его близко к телу рядом с собой. Случайный контакт одежды с вращающейся режущей насадкой может захватить ее, и насадка будет притянута к вашему телу.
- n) Регулярно очищайте воздухозаборники электроинструмента. Вентилятор мотора затягивает пыль внутрь корпуса и накопившаяся металлическая пыль может привести к поражению электрическим током.
- o) Не используйте электроинструмент в непосредственной близости от горючих материалов искры могут поджечь их.
- p) Не используйте приспособления, которые требуют жидкостного охлаждения. Использование воды или других жидкостей, может привести к смерти от электрического удара или поражению электрическим током.

Отскок и меры предосторожности

Отскок – это внезапная реакция на зажатие вращающегося круга, подкладки, щетки или любой другой насадки. Зажатие вызывает резкую остановку вращающейся насадки, что в свою очередь служит причиной того, что вышедший из под контроля инструмент, с силой дергается в направлении, противоположном крутящему моменту в точке заедания. Например, если абразивный диск зажимается обрабатываемой деталью, кромка диска, входящая в точку зажатия, может уйти в поверхности материала, отчего круг может выскочить наружу. Круг может отскочить как в направлении оператора, так и в сторону от него в зависимости от направления вращения круга в точке заедания. Абразивный круг может при этом сломаться.

Отскок является результатом неправильного использования электроинструмента и/или несоблюдения порядка или условий работы и может быть предупрежден выполнением следующих мер предосторожности:

- a) Крепко держите электроинструмент, сохраняйте такое положение тела и руки при котором вы сможете справиться с силой отскока. Всегда используйте дополнительную ручку, если она входит в комплект электроинструмента, для обеспечения наилучшего контроля над отскоком или реактивным крутящим моментом при запуске. Оператор в состоянии справиться с реактивной силой крутящего момента или силой отскока, если приняты соответствующие меры предосторожности.
- b) Никогда не приближайте руку к крутящейся насадке. Насадка может отскочить и поранить вашу руку.
- c) Держитесь на безопасном расстоянии от зоны возможного отскока электроинструмента. Отскок толкнет инструмент в направлении, противоположном крутящему моменту в точке заедания.
- d) С особой осторожностью осуществляйте обработку углов, острых краев, и т. п. Избегайте колебаний и зажима насадки. Углы, острые края, колебания могут привести к заклиниванию крутящейся насадки, вызвать потерю контроля над инструментом и отскок.
- e) Не устанавливайте на инструмент пильную цепь для резьбы по дереву, или зубчатую пилу. Подобные насадки часто приводят к отскоку и потере контроля над инструментом.

Предупреждения безопасности специфические для работ по шлифовке и абразивной резке

- a) Используйте круги только тех типов, которые рекомендованы для использования с вашим электроинструментом и щитки, разработанные для используемых кругов. Круги, не предусмотренные конструкцией электроинструмента, не могут быть надежно прикрыты щитками и, как следствие, небезопасны.
- b) Круги должны использоваться строго по назначению. Например, шлифовку нельзя осуществлять стороной отрезного круга. Абразивные отрезные круги пригодны только для шлифования периферией круга, приложение к такому кругу боковых усилий, может расколоть его.
- c) Всегда используйте неповрежденные фланцы подходящие к используемому кругу по форме и размеру. Фланцы подходящего типа поддерживают круг, снижая вероятность его повреждения. Фланцы для отрезных кругов могут отличаться от фланцев для шлифовальных кругов.
- d) Не используйте изношенные круги от более крупных электроинструментов. Круги, предназначенные для более крупных электроинструментов, не подходят для работы на более высоких оборотах инструмента меньшего размера и могут лопнуть.

Специальные правила техники безопасности

Внимание!

При использовании данного инструмента всегда надевайте средства защиты органов зрения и органов слуха.

1. Дети.
Дети и посторонние лица должны находиться на удалении от места проведения работ. К работе с инструментом не должны допускаться дети. Когда инструмент не используется, храните его в безопасном месте, недоступном для детей.
2. Избегайте поражения электрическим током.
Во время работы кабель должен находиться на безопасном расстоянии от инструмента. Во время работы не стойте вблизи оборудования, подключенного к источнику электроснабжения.
3. Условия труда.
Не используйте этот инструмент в сырых или влажных местах, или вблизи воспламеняющихся жидкостей или газов.
4. Личная безопасность.
Для обеспечения собственной безопасности всегда надевайте защитные очки и средства защиты органов слуха. Закрепите сзади длинные волосы, и держите пальцы на безопасном расстоянии от движущихся частей.
5. Одежда.
Старайтесь не надевать свободную одежду и ювелирные украшения.
6. Обеспечьте защиту кабеля от повреждений.
Не переносите инструмент, держа его за кабель, не тяните за кабель, если нужно вытащить вилку из розетки. Не допускайте нагревания кабеля. Воздействие масла, растворителей, острых предметов может привести к повреждению изоляции.
7. Отсоедините инструмент.
Если инструмент не используется, а также при замене рабочего органа убедитесь в том, что инструмент отсоединен от сети питания.
8. Перед началом работы осмотрите кабель.
Периодически осматривайте кабель инструмента и используемые удлинительные провода на наличие повреждений или следов чрезмерного износа. При наличии повреждений не используйте кабель. Ремонт должен выполнять квалифицированный электрик.
9. Перед началом работы осмотрите инструмент.
Осмотрите инструмент на наличие повреждений, трещин или отсутствующих деталей. В случае каких-либо сомнений не используйте инструмент, и проконсультируйтесь с квалифицированным электриком.
10. Не допускайте неконтролируемого включения инструмента.
Прежде чем вставить вилку в розетку сети электропитания, убедитесь в том, что переключатель «Вкл/Выкл» находится в положении «Выкл».
11. Будьте внимательны.
Инструменты с электроприводом требуют от пользователя постоянной концентрации внимания. Не используйте инструмент, если вы устали.
12. Инструмент выключается во время работы.
Если ваш инструмент неожиданно останавливается, или возникает подозрение, что он неисправен, отсоедините его от сети электропитания. Только после этого можно брать руками сменные насадки или другие движущиеся части.
13. Закрепите обрабатываемую деталь.
Прежде чем использовать инструмент, убедитесь в том, что обрабатываемая деталь надежно закреплена или зажата.
14. Не используйте поврежденные или изогнутые сменные приспособления. Немедленно замените их.
15. Если инструмент работает на высоких скоростях, или в течение продолжительного периода времени, регулярно проверяйте, насколько туго затянут цанговый патрон.
16. Вспомогательные устройства должны быть рассчитаны, как минимум, на ту скорость, которая указана на предупредительной наклейке инструмента.
17. Для обеспечения своей собственной безопасности используйте только те приспособления и принадлежности, которые поставляет производитель.
18. В случае, если в комплекте со склеенным абразивным изделием поставляются поглощающие материалы, проследите за их правильным использованием.
19. Перед включением электроинструмента убедитесь в том, что абразивное изделие правильно и надежно закреплено. Дайте инструменту поработать в течение 30 секунд в безопасном положении. В случае сильной вибрации, или при наличии других неполадок немедленно выключите электроинструмент. Осмотрите машину и найдите причину этих неполадок;
20. Не используйте отдельные переходные втулки или переходники для установки шлифовального круга с отверстием большого диаметра;
21. Не используйте отрезные круги для бокового шлифования;
22. Убедитесь в том, что образующиеся во время работы искры не создают опасности, то есть, не попадают в людей, или не воспламеняют горючие вещества;
23. Выполняя работу в условиях запыленности, убедитесь в том, что вентиляционные отверстия открыты. Если необходимо удалить пыль, прежде всего, отсоедините электроинструмент от сети электропитания. Для очистки используйте неметаллические объекты, старайтесь не повредить внутренние части электроинструмента;
24. Всегда используйте средства защиты органов зрения и слуха. Необходимо использовать другие индивидуальные средства защиты, такие как противопылевой респиратор, перчатки, каску и фартук;
25. Помните, что шлифовальный круг продолжает вращение после выключения электроинструмента.
26. Если инструмент работает на высоких скоростях, или в течение продолжительного периода времени, регулярно проверяйте, насколько туго затянут цанговый патрон.

Установка и замена инструмента

Удерживая нажатой кнопку зажима шпинделя, медленно поворачивайте зажимные губки, пока кнопка не окажется полностью нажатой, и не будет зафиксирована в таком положении. Никогда не нажимайте на стопорный штифт во время работы электроинструмента.

Для того, чтобы ослабить гайку цангового зажима, нажмите на стопорный штифт и поверните против часовой стрелки.

Вставьте вал вспомогательного приспособления в цанговый зажим. Всегда выбирайте такой цанговый зажим, размер которого соответствует устанавливаемому резцу. Для того, чтобы уменьшить риск изгиба приспособления, или возникновения сильной вибрации, убедитесь в том, что все инструменты полностью вставлены.

Для того, чтобы слегка затянуть гайку цангового зажима, надавите на стопорный штифт, и поверните по часовой стрелке.

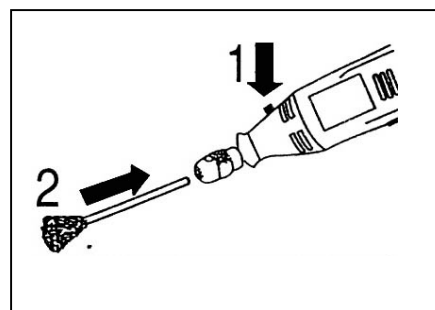
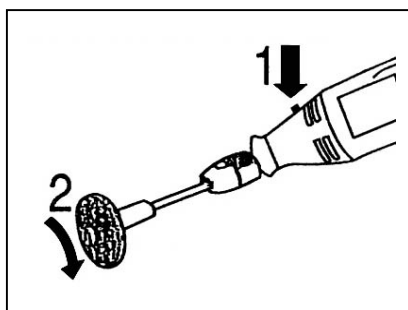
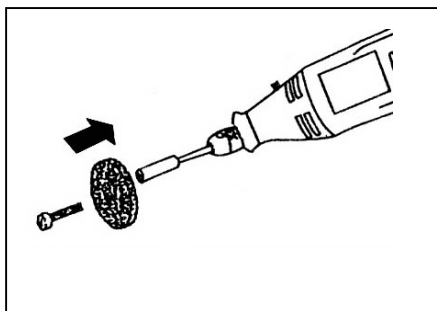
Установка приспособлений для диска

Используйте шпindel, входящий в комплект поставки.

Вставьте шпindel, согласно процедуре установки инструмента. Убедитесь в том, что гайка цангового зажима затянута, и шпindel надежно закреплен.

Для закрепления диска используйте маленький винт, который находится в верхней части шпинделя.

Избегайте чрезмерной затяжки винта, так как это может привести к повреждению приспособления



ТЕХНИЧЕСКОЕ ОБСЛУЖИВАНИЕ

Этот электроинструмент не требует специального технического обслуживания. Регулярно производите очистку вентиляционных отверстий. Не допускайте попадания жидкости внутрь электроинструмента. Для очистки электроинструмента не используйте бытовые чистящие средства, такие как скипидар или разбавитель для краски.

ПРЕДУПРЕЖДЕНИЕ! Неиспользуемый электроинструмент не подлежит утилизации вместе с бытовыми отходами. Такой инструмент необходимо сдать в местный пункт сбора для утилизации, безвредной для окружающей среды, в соответствии с местными правилами.

УСЛОВИЯ ГАРАНТИЙНОГО ОБСЛУЖИВАНИЯ

1. Настоящее гарантийное свидетельство является единственным документом, подтверждающим Ваше право на бесплатное гарантийное обслуживание. Без предъявления данного свидетельства претензии не принимаются. В случае утери или порчи гарантийное свидетельство не восстанавливается.
 2. Гарантийный срок на электроинструмент составляет 12 месяцев со дня продажи, в течение гарантийного срока сервисная служба бесплатно устраняет производственные дефекты и производит замену деталей, вышедших из строя по вине изготовителя. На период гарантийного ремонта эквивалентный исправный инструмент не предоставляется. Заменяемые детали переходят в собственность служб сервиса. Компания P.I.T. не несет ответственности за вред, который может быть причинен при работе с электроинструментом.
 3. В гарантийный ремонт инструмент принимается в чистом виде, при обязательном наличии надлежащим образом оформленных документов: настоящего гарантийного свидетельства, гарантийного талона, с полностью заполненными полями, штампом торговой организации и подписью покупателя.
 4. Гарантийный ремонт не производится в следующих случаях:
 - при отсутствии гарантийного свидетельства и гарантийного талона или неправильном их оформлении;
 - при совместном выходе из строя якоря и статора электродвигателя, при обугливание или оплавлении первичной обмотки трансформатора сварочного аппарата, зарядного или пуско-зарядного устройства, при оплавлении внутренних деталей, прожиге электронных плат;
 - если гарантийное свидетельство или талон не принадлежат данному электроинструменту или не соответствует установленному поставщиком образцу;
 - по истечении срока гарантии;
 - при попытках самостоятельного вскрытия или ремонта электроинструмента вне гарантийной мастерской; внесения конструктивных изменений и смазки инструмента в гарантийный период, о чем свидетельствуют, например, заломы на шлифовых частях крепежа корпусных деталей.
 - при использовании электроинструмента в производственных или иных целях, связанных с получением прибыли, а также – при возникновении неисправностей связанных с нестабильностью параметров электросети, превышающих нормы, установленные ГОСТ;
 - при неправильной эксплуатации (использование электроинструмента не по назначению, установки на электроинструмент не предназначенных заводом-изготовителем насадок, дополнительных приспособлений и т.п.;
 - при механических повреждениях корпуса, сетевого шнура и при повреждениях, вызванных воздействиями агрессивных средств и высоких и низких температур, попадании инородных предметов в вентиляционные решетки электроинструмента, а также при повреждениях, наступивших в результате неправильного хранения(коррозия металлических частей);
 - при естественном износе деталей электроинструмента, в результате длительной эксплуатации(определяется по признакам полной или частичной выработки ресурса, сильного загрязнения, ржавчины снаружи и внутри электроинструмента, отработанной смазки в редукторе);
 - использование инструмента не по назначению, указанному в инструкции по эксплуатации.
 - при механических повреждениях инструмента;
 - при возникновении повреждений в связи с несоблюдением предусмотренных инструкцией условий эксплуатации(см. главу Указание по технике безопасности в инструкции).
 - повреждение изделия вследствие несоблюдения правил хранения и транспортировки.
- Профилактическое обслуживание электроинструмента (чистка, промывка, смазка, замена пыльников, поршневых и уплотнительных колец) в гарантийный период является платной услугой.
- Срок службы изделия установлен в соответствии с действующим законодательством и составляет 5 лет со дня изготовления.
- О возможных нарушениях, изложенных выше условий гарантийного обслуживания, владельцу сообщается после проведения диагностики в сервисном центре.
- Владелец инструмента доверяет проведение диагностики в сервисном центре в свое отсутствие.
- Запрещается эксплуатация электроинструмента при проявлении признаков повышенного нагрева, искрения, а также шума в редукторной части. Для выяснения причин неисправности покупателю следует обратиться в гарантийную мастерскую.
- Неисправности, вызванные несвоевременной заменой угольных щеток двигателя, устраняются за счет покупателя.
5. Гарантия не распространяется на:
 - сменные принадлежности (аксессуары и оснастка), например: аккумуляторы, диски, ножи, сверла, буры, патроны, цепи, звездочки, цанговые зажимы, шины, элементы натяжения и крепления, головки триммеров, подошвы шлифовальных и ленточных машин, фильтры и т.п.
 - быстроизнашивающиеся детали, например: угольные щетки, приводные ремни, сальники, защитные кожухи, направляющие ролики, направляющие, резиновые уплотнения, подшипники, зубчатые ремни и колеса, стволы, ленты тормоза, храповики и тросы стартеров, поршневые кольца и т.п. Замена их в течении гарантийного срока является платной услугой.
 - шнуры питания, в случае повреждения изоляции, шнуры питания подлежат обязательной замене без согласия владельца (услуга платная).
 - корпуса инструмента.

ГАРАНТИЙНОЕ СВИДЕТЕЛЬСТВО НА ИНСТРУМЕНТ P.I.T.

Наименование изделия _____
Артикул изделия
Серийный номер
Дата продажи «__» _____
Наименование торговой организации _____

М.П.

Уважаемый покупатель!

Благодарим Вас за покупку инструмента P.I.T. и надеемся, что Вы останетесь довольны своим выбором. В процессе производства инструменты P.I.T. проходят многоуровневый контроль качества, если тем не менее Ваше изделие будет нуждаться в обслуживании, просим Вас обращаться в авторизованные сервисные центры P.I.T.

Внимание!

При покупке требуйте у продавца проверки комплектности и работоспособности инструмента, заполнение гарантийного свидетельства, гарантийного талона (графы заполняются продавцом) и простановки печати торговой организации в гарантийном свидетельстве и гарантийном талоне.

Гарантия

На основании данного гарантийного свидетельства компания P.I.T. гарантирует отсутствие дефектов производственного характера.

Если в течении гарантийного срока в Вашем изделии тем не менее обнаружатся указанные дефекты, специализированные сервисные центры P.I.T. бесплатно отремонтируют изделие и заменят дефектные запасные части.

Гарантийный срок на электроинструменты P.I.T. составляет 12 месяцев со дня продажи.

«С условиями гарантийного обслуживания ознакомлен(а). Работоспособность и комплектность изделия проверены в моем присутствии. Претензий к качеству и внешнему виду не имею».

Подпись покупателя _____ Фамилия(разборчиво) _____

Телефон _____

P.I.T. WARRANTY CARD



ГАРАНТИЙНЫЙ ТАЛОН P.I.T.

Наименование _____
Серийный номер _____
Дата продажи «__» _____ 20__ г.
Дата получения из ремонта «__» _____ 20__ г.



Наименование _____
Серийный номер _____
Дата продажи «__» _____ 20__ г.
(Заполняется продавцом)

М.П.

КАРТА ГАРАНТИЙНОГО РЕМОНТА __
Дата приема в ремонт __ _____ 20__ г.
Заявка на ремонт _____
Заказчик _____
Телефон(адрес) _____
Причина обращения _____
Дата получения из ремонта __ _____ 20__ г.
Инструмент проверен в моем присутствии _____
(Заказ заполняется в сервисном центре) (подпись)

М.П.

Наименование _____
Серийный номер _____
Дата продажи «__» _____ 20__ г.
Дата получения из ремонта «__» _____ 20__ г.



Наименование _____
Серийный номер _____
Дата продажи «__» _____ 20__ г.
(Заполняется продавцом)

М.П.

КАРТА ГАРАНТИЙНОГО РЕМОНТА __
Дата приема в ремонт __ _____ 20__ г.
Заявка на ремонт _____
Заказчик _____
Телефон(адрес) _____
Причина обращения _____
Дата получения из ремонта __ _____ 20__ г.
Инструмент проверен в моем присутствии _____
(Заказ заполняется в сервисном центре) (подпись)

М.П.

Наименование _____
Серийный номер _____
Дата продажи «__» _____ 20__ г.
Дата получения из ремонта «__» _____ 20__ г.



Наименование _____
Серийный номер _____
Дата продажи «__» _____ 20__ г.
(Заполняется продавцом)

М.П.

КАРТА ГАРАНТИЙНОГО РЕМОНТА __
Дата приема в ремонт __ _____ 20__ г.
Заявка на ремонт _____
Заказчик _____
Телефон(адрес) _____
Причина обращения _____
Дата получения из ремонта __ _____ 20__ г.
Инструмент проверен в моем присутствии _____
(Заказ заполняется в сервисном центре) (подпись)

М.П.



P.I.T. WARRANTY CARD

Name _____
Serial number _____
The date of sale 20____
The date of receipt of the repair 20____



Name _____
Serial number _____
Date of sale "" _____
(Filled by seller)

Seal is here

WARRANTY REPAIR CARD

date of acceptance for repair ____ 20 ____ .
Application for repair _____
Customer _____
Telephone (address) _____
The reason for petition _____
Tool checked in my presence _____
(The order is filled in the service center) (signature)

Seal is here

Name _____
Serial number _____
The date of sale 20____
The date of receipt of the repair 20____



Name _____
Serial number _____
Date of sale "" _____
(Filled by seller)

Seal is here

WARRANTY REPAIR CARD

date of acceptance for repair ____ 20 ____ .
Application for repair _____
Customer _____
Telephone (address) _____
The reason for petition _____
Tool checked in my presence _____
(The order is filled in the service center) (signature)

Seal is here

Name _____
Serial number _____
The date of sale 20____
The date of receipt of the repair 20____



Name _____
Serial number _____
Date of sale "" _____
(Filled by seller)

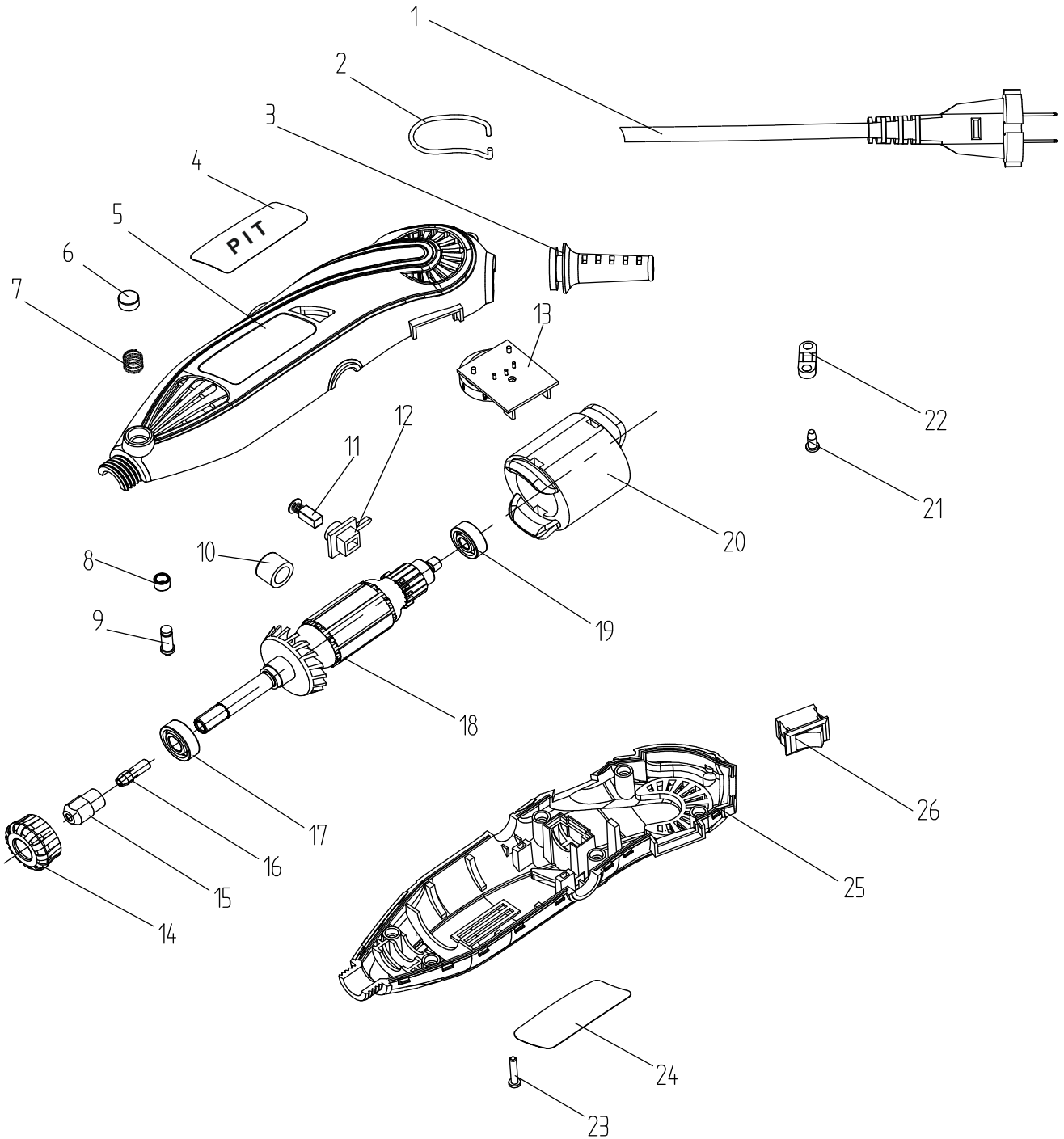
Seal is here

WARRANTY REPAIR CARD

date of acceptance for repair ____ 20 ____ .
Application for repair _____
Customer _____
Telephone (address) _____
The reason for petition _____
Tool checked in my presence _____
(The order is filled in the service center) (signature)

Seal is here

PMG200-C1





Поставщик: Китай Xinjiang Longbo Industrial Co., Ltd.
Адрес производства: Rm. 602, 6th Floor, No. 531, Weixing Road, Economic And Technological Development Zone, Urumqi, Xinjiang, China
Уполномоченный представитель: ООО "Турбо-Тулс"
Юридический адрес: 117246, г. Москва, ул. Херсонская, 43

Сделано в КНР/Made in China

