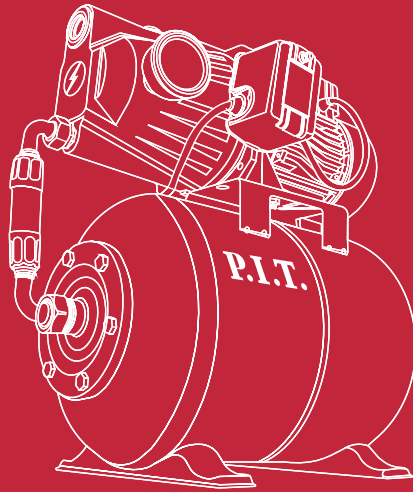


# P.I.T.

POG750-P



**SELF-PRIMING PUMP**  
ПОВЕРХНОСТНЫЙ НАСОС

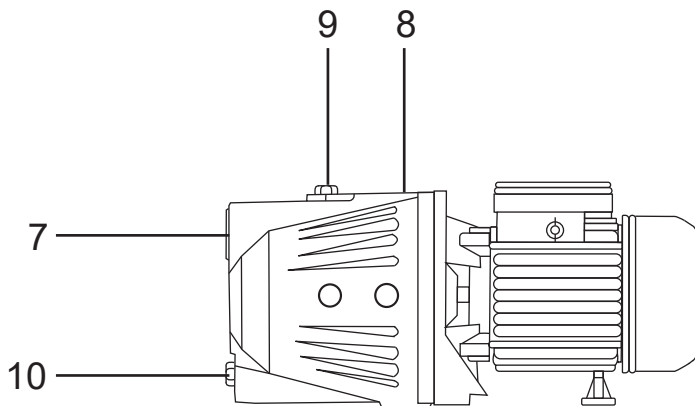
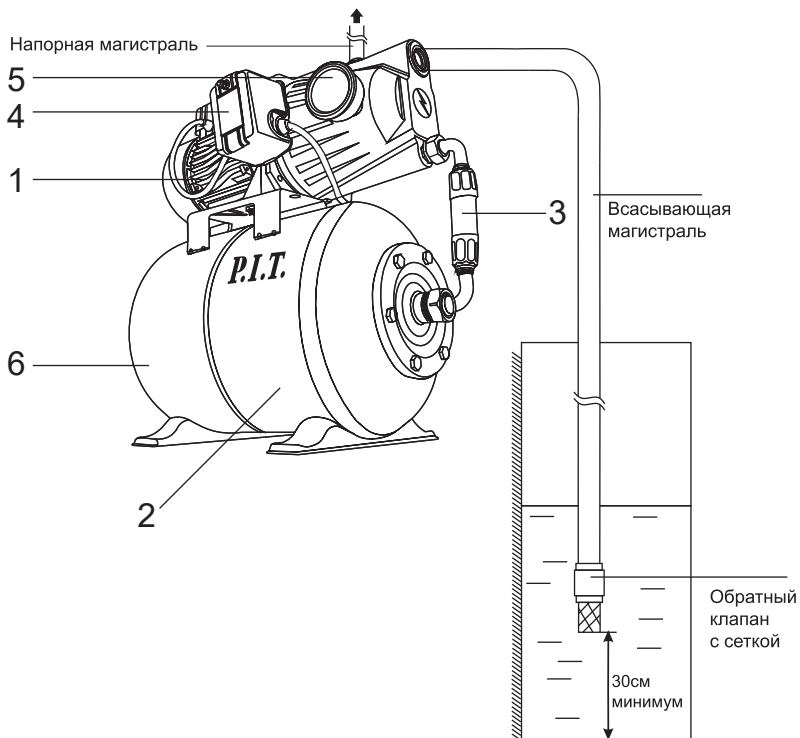
**750W**

**Powerful  
Efficient**

Please read the instruction manual carefully before use!

Пожалуйста, внимательно прочтите инструкцию перед использованием!





## English Safety instructions

### General safety instructions sti for the pumping station.



**WARNING** Read all safety warnings and all instructions.

Failure to follow the warnings and instructions may result in electric shock, fire and/or serious injury.

**Retain these instructions and directions for future use.**

### Precautions

#### ATTENTION!

- ▶ **Do not use the product without protective earth!**
- ▶ **Installing a safety device tripping (RCD) rated leakage current of 30 mA is required!**
- ▶ **Installation of the product and electrical sockets for connecting it to the cables must perform qualitrained specialists electrical work.**
- ▶ **To avoid accidents, it is strictly forbidden to produce drive any repair / reversing work on equipment without disconnecting it from the power trichesky network.**

### WARNING

- ▶ **Pumping station operation "dry" (without water) is not allowed.**
- ▶ **Do not allow air to enter into the suction line.**
- ▶ **Temperature of the pumped liquid must be between + 1 ° C and + 35 ° C.**

### Important

- ▶ **Installation of electrical equipment for product connections must be complete qualified specialists electricians and plumbing work.**
- ▶ **Voltage fluctuation in electricity network must not exceed  $\pm 10\%$ .**
- ▶ **Do not repair or disassemble due to do it yourself.**

### Electrical safety

**ATTENTION!** If the instructions are not followed Niy on safety precautions there is no danger of electric shock current.

- ▶ Before starting work with the device, believe the power cord and plug plug for damage.
- ▶ All electrical connections must be protected from flooding place.
- ▶ Unsuitable electrical extension whether they can be dangerous. Outside premises

should only be used to approved for use and

- ▶ appropriately marked electrical tricic extension cords with sufficient cross-section of the wire.
- ▶ Do not use the mains power cable for transportation or fixation device.
- ▶ When disconnecting the device from the power supply pull the plug plug, not the cable.
- ▶ Make sure that the power cable is did not get pinched or rubbed against sharp the edges.
- ▶ Install the device in a rack and overflow-protected position.
- ▶ Mains voltage must correspond to the voltage specified in the technical technical characteristics.
- ▶ Protect the device from rain and moisture. Penetration of water into the device increases
- ▶ There is no risk of electric shock.com.
- ▶ Do not direct the water jet directly directly to the pump or other electrical sky nodes. Life-threatening - possible but electric shock.
- ▶ Do not use the pumping station as a submersible pump.
- ▶ When using the pump station near swimming pools, garden ponds or fountains observe the minimum distance 2 m and protect the device from slipping into the water.
- ▶ If the pool or garden pond is people walk, it is prohibited to use pump.
- ▶ Electrical connections must be be filled only by qualified electrician.

### Personal safety

- ▶ For the safety of persons under the age of 16 years, as well as persons who have not familiarized themselves with this manual must not be start up before working with the device.
- ▶ The pumping station is not intended for use by persons with reduced physical or mental abilities or if the user has no experience and knowledge, if it is not under control and not instructed on use of the device by a person from responsible for safety.
- ▶ It is prohibited to operate and maintain live a pumping station being able to severe fatigue, alcoholic, narcat intoxication or under the influence the presence of potent copper Qing drugs.
- ▶ Children and pets must not be near the

pumping station during its operation. Make sure that children do not played with the device.

## Safety instructions

### When working with a pumping station

- ▶ Any use of the pumping station in violation of the rules for its operation is considered misuse.
- ▶ For damage resulting from the use of misuse, the answer is only the user is responsible.
- ▶ The pumping station is not intended for professional or industrial use. Long-term nondiscontinuous use.
- ▶ Unauthorized introduction of changes in the design of the pumping station, as well as the use of parts that did not pass their tests and not approved for manufacturer's application.
- ▶ Do not pump explosive dangerous, flammable, aggressive or substances hazardous to health, as well as water containing mechanical mixtures in the form of sand, stones, etc.
- ▶ The pumping station is not intended for pumping chlorine-containing water in floating swimming pools.
- ▶ Not recommended for pumping drinking water.
- ▶ When starting up the pumping station for the first time, ensure that it is completely filled with water. It is not allowed to operate the pumping station without water.
- ▶ Do not allow air to enter suction line.
- ▶ To avoid freezing, you must completely drain the water from the pumping station, as well as the same suction and pressure mains lei.

## Service

Repairing your power tool commission only qualified personnel and only with the use of the use of original spare parts.

List of authorized service centers can be viewed on the official website P.I.T. by the link: <https://pitttools.ru/services/>

## Product description and specifications



### Read all the safety and general instructions.

Failure to observe the safety and general instructions may result in electric shock, fire and/or serious injury. Please observe the illustrations at the beginning of this operating manual.

## Intended use

The pumping station is designed to provide constant pressure of clean water when arranging water supply systems, watering lawns and irrigating garden plots, as well as for pumping water from tanks or reservoirs.

The design of the pumping station (full automation, rare activation, supply of water under pressure) allows the pumping station to be used as an economical, maintenance-free source of constant water pressure. Large intake depth, water supply height and high performance ensure the versatility of this pumping station for any country house.

## Pump device

The general view of the tool is presented on the page with illustrations.

- 1.Pump
- 2.Hydraulic accumulator
- 3.Connecting hose
- 4.Pressure switch
- 5.Manometer
- 6.Pneumatic valve

## Technical data

Model	POG750-P
Rated voltage	220 V~/50 Hz
Rated power	750 W
Performance	2.8 m <sup>3</sup> /h
lifting height	50 m
Accumulator volume	24 L
Suction depth	8 m
The weight	17 Kg

## Contents of delivery

- |                   |       |
|-------------------|-------|
| Self-priming pump | 1 pc. |
| User manual       | 1 pc. |

## Note

Text and numbers may contain technical errors and typographical errors.

As the product is constantly being improved, P.I.T. reserves the right to make changes to the specifications and equipment of the product specified here without prior notice.

## Preparation for work

The station consists of a pump (1), a hydraulic accumulator (2), a connecting hose (3) and an automation unit, consisting of a pressure switch (4) and a pressure gauge (5). The accumulator has a food-grade rubber membrane in the inner cavity and a pneumatic valve (6) for adjusting the air pressure.

The pump has inlet (7) and outlet (8) openings, as well as filler (9) and drain (10) openings. For JS series pumps, water is filled through the pump outlet (8).

The principle of the station is that the water supply network is always under pressure. If you turn on a tap or other device, the pressure in the system will begin to drop. When the pressure drops below 0.15 MPa (1.5 atm.), The pressure switch will automatically turn on the pump, and it compensates for the water flow. When you close the tap, the pump will run for a while.

Water will fill the accumulator, and when the pressure in the system rises to the initial state of 0.3 MPa (3 atm.), The pump will automatically turn off using a pressure switch.

### **Station installation and commissioning**

Before connecting, be sure to check the compliance of the electrical and pressure data of the product with the parameters of your electrical and water supply network.

It is desirable that the installation and commissioning of the station be carried out by a specialized installation organization. The station should be secured to a rigid base.

To reduce noise and vibration during the operation of the station, its fastening to the base should be carried out through rubber washers and gaskets.

**ATTENTION!** A prerequisite for the operation of the station is the presence of a 1" check valve at the inlet of the suction line (not included in the set).

Connect a suction pipe with a 1" check valve at the end to the station inlet (7). Connect a standpipe to the station outlet (8). The suction line is made from an incompressible hose or pipe.

**ATTENTION!** The diameter of the hose or pipe must exactly match the diameter of the pump inlet - 1 inch.

Avoid connections that narrow or widen the flow area of the hose or pipe. The installation of filter elements on the suction line is strictly prohibited.

**ATTENTION!** All connections of the suction and pressure pipelines must be tight.

Installing a suction line with a length of more than 10 meters horizontally is not advisable, as this will lead to a decrease in the suction lift. When installing the suction line, it is necessary to ensure a continuous angle of inclination from the station to the water intake source of at least one degree to the horizon, reverse angles on the suction line are not allowed.

### **Electrical connection**

**ATTENTION!** The electrical connection should only be carried out after all hydraulic connections have been completed. The electrical connection must be carried out by a qualified technician. The station should be installed in such a way that easy access to the electrical outlet is provided. The socket should only be used for powering the station, be grounded and connected to a high sensitivity (30 mA) differential circuit breaker. The installation location of the socket must be protected from splashing water. **ATTENTION!** It is forbidden to operate the station with a damaged electric cable. In case of damage to the electrical cable, you must contact the service center to replace it.

### **Commissioning**

At the initial start-up, it is necessary to pre-fill the pump and the suction line with water through the filler hole (9). To do this, unscrew the plug and fill with water until water begins to flow out of the filler hole without air bubbles, then screw the filler plug. Before starting the station, it is necessary to check the air pressure in the accumulator using a car pressure gauge by connecting it to the pneumatic valve (6), it should be 0.15 MPa (1.5 atm). If necessary, pump air into the accumulator using a car pump, otherwise the diaphragm may rupture.

After opening all water intake taps to remove air from the pressure line, connect the station to the power grid. The station pump will start to deliver water.

#### **Service**

Have your power tool repaired only by qualified personnel and only with original replacement parts. This ensures the safety of the power tool.

For a list of authorized service centers, see the official P.I.T. link <https://pitttools.ru/services/>

### **Storage and transportation**

#### **Storage:**

drain the suction and discharge pipes unscrew the drain plug and let the water drain out of the pump

screw the drain plug again and store the pump and accessories in a frost-protected place, at a temperature of 0 to + 35 ° C and a relative humidity of no more than 80%.

Products can be transported by any type of closed transport in the manufacturer's packaging or without it, while preserving the product from mechanical damage, atmospheric



spline parts of the fasteners of non-rotational parts.

- when using electric tools for production or other purposes connected with making a profit, as well as in case of malfunctions related to instability of the power network parameters exceeding the norms established by GOST;
- in the events of improper operation (use the electric machine for other than intended purposes, attachments to the electric machine of attachments, accessories, etc. not provided by the manufacturer);
- with mechanical damage to the case, power cord and in case of damages caused by aggressive agents and high and low temperatures, ingress of foreign objects in the ventilation grids of the electric machine, as well as in case of damage resulting from improper storage (corrosion of metal parts);
- natural wear and tear on the parts of the electric machine, as a result of long-term operation (determined on the basis of the signs of full or partial depletion of the specified mean life, great contamination, presence of rust outside and inside the electric machine, waste lubricant in the gearbox);
- use of the tool the purposes for other than specified in the operating instructions.
- mechanical damages to the tool;
- in the event of damages due to non-observance of the operating conditions specified in the instruction (see chapter "Safety Precautions" of the Manual).
- damage to the product due to non-observance of the rules of storage and transportation.

Preventive maintenance of electric machines (cleaning, washing, lubrication, replacement of anthers, piston and sealing rings) during the warranty period is a paid service.

The service life of the product is 3 years. Shelf life is 2 years. It is not recommended for operation after 2 years of storage from the date of manufacture, which is indicated in the serial number on the label of the instrument, without preliminary verification (for the definition of the date of manufacture, see the User's Manual earlier).

The owner is notified of any possible violations of the above terms of warranty service upon completion of diagnostics in the service center.

The owner of the tool entrusts the diagnostic procedure to be conducted in the service center in his absence.

Do not operate the electric machine when

there are signs of excessive heat, sparking, or noise in the gearbox. To determine the cause of the malfunction, the buyer should contact the warranty service center.

Malfunctions caused by late replacement of carbon brushes of the engine are eliminated at the expense of the buyer.

5. The warranty does not cover:

- replacement accessories (accessories and components), for example: batteries, blades, drill bits, borers, chucks, chains, sprockets, collet clamps, guide rails, tension and fastening elements, trimming device heads, base of grinding and belt sander machines, hexagonal heads, etc.,
- fast wearing parts, for example: carbon brushes, drive belts, seals, protective covers, guiding rollers, guides, rubber seals, bearings, toothed belts and wheels, shanks, brake belts, starter ratchets and ropes, piston rings, etc. Their replacement during the warranty period is a paid service;
- power cords, in case of damage to the insulation, power cords are subject to mandatory replacement without the consent of the owner (paid service);
- tool case.

## Русский

### Указания по технике безопасности

Общие указания по технике безопасности для насосной станции.



#### ПРЕДУПРЕЖДЕНИЕ

Прочтите все указания и инструкции по технике безопасности.

Несоблюдение указаний и инструкций по технике безопасности может стать причиной поражения электрическим током, пожара и тяжелых травм.

Сохраняйте эти инструкции и указания для будущего использования.

### Меры предосторожности ВНИМАНИЕ!

- ▶ Не допускайте эксплуатации изделия без защитного заземления!
- ▶ Установка устройства защитного отключения (УЗО) номинальным током утечки 30 мА обязательна!
- ▶ Монтаж изделия и электрической розетки для его подключения электросети должны выполнять квалифицированные специалисты по электромонтажным работам.
- ▶ Во избежание несчастных случаев, категорически запрещается производить какие-либо ремонтные/обслуживающие работы на оборудовании без отключения его от электрической сети.

### ПРЕДУПРЕЖДЕНИЕ

- ▶ Работа насосной станции «в сухую» (без воды) не допускается.
- ▶ Не допускайте попадания воздуха во всасывающую магистраль.
- ▶ Температура перекачиваемой жидкости должна быть от +1°С до +35°С.

### ВАЖНО

- ▶ Монтаж электрооборудования для подключения изделия должны выполнять квалифицированные специалисты по электромонтажным и сантехническим работам.
- ▶ Колебание напряжения в электрической сети не должно превышать  $\pm 10\%$ .
- ▶ Не ремонтируйте и не разбирайте изделие самостоятельно.

### Электробезопасность

- ▶ **ВНИМАНИЕ!** При несоблюдении указаний по технике безопасности существует опасность поражения электри-

### ческим током.

- ▶ Перед началом работы с прибором проверьте сетевой шнур и штепсельную вилку на наличие повреждений.
- ▶ Все электрические соединения должны находиться в защищенном от затопления месте.
- ▶ Неподходящие электрические удлинители могут представлять опасность. Вне помещений следует использовать только допущенные для использования и соответственно маркированные электрические удлинители с достаточным поперечным сечением провода.
- ▶ Не используйте сетевой кабель питания для транспортировки или фиксации прибора.
- ▶ При отсоединении прибора от сети питания необходимо тянуть за штепсельную вилку, а не за кабель.
- ▶ Следите за тем, чтобы сетевой кабель не защемлялся и не терся об острые края.
- ▶ Устанавливайте устройство в стойком и защищенном от перелива положении.
- ▶ Напряжение в сети должно соответствовать напряжению, указанному в технических характеристиках.
- ▶ Защищайте прибор от дождя и сырости. Проникновение воды в прибор повышает риск поражения электрическим током.
- ▶ Не направляйте струю воды непосредственно на насос или другие электрические узлы. Опасно для жизни - возможно поражение электрическим током.
- ▶ Нельзя использовать насосную станцию как погружной насос.
- ▶ При использовании насосной станции вблизи плавательных бассейнов, садовых прудов или фонтанов соблюдать минимальное расстояние 2 м и защитить прибор от соскальзывания в воду.
- ▶ Если в бассейне или садовом пруду находятся люди, запрещается использовать насос.
- ▶ Электрические соединения должны выполняться только квалифицированным электриком.

### Безопасность людей

- ▶ В целях безопасности лица моложе 16 лет, а также лица, не ознакомившиеся с данным руководством, не должны допускаться до работы с устройством.
- ▶ Насосная станция не предназначена для

использования лицами с ограниченными физическими или умственными способностями

- ▶ или при отсутствии у пользователя опыта и знаний, если он не находится под контролем и не проинструктирован об использовании устройства лицом, ответственным за безопасность.
- ▶ Запрещается эксплуатировать и обслуживать насосную станцию, находясь в состоянии сильной усталости, алкогольного, наркотического опьянения или под воздействием сильнодействующих медицинских препаратов.
- ▶ Дети и домашние животные не должны находиться вблизи насосной станции во время её работы. Следите за тем, чтобы дети не играли с устройством.

### Указания по технике безопасности при работе с насосной станцией.

- ▶ Любое использование насосной станции с нарушением правил его эксплуатации считается использованием не по назначению.
- ▶ За ущерб, возникший в результате использования не по назначению, ответственность несёт только пользователь.
- ▶ Насосная станция не предназначен для профессионального или промышленного использования. Не допускается длительное непрерывное использование.
- ▶ Запрещается самовольное внесение изменений в конструкцию насосной станции, а также использование деталей, не прошедших испытания и не разрешённых к применению изготовителем.
- ▶ запрещается перекачивание взрывоопасных, горючих, агрессивных или опасных для здоровья веществ, а также воды, содержащей механические примеси в виде песка, камней, и т. п.
- ▶ Насосная станция не предназначен для перекачивания хлорсодержащей воды в плавательных бассейнах.
- ▶ Не рекомендуется для перекачивания питьевой воды.
- ▶ При первом запуске насосной станции необходимо обеспечить её полное заполнение водой. Не допускается работа насосной станции без воды.
- ▶ Не допускается попадание воздуха во всасывающую магистраль.
- ▶ Во избежании замерзания необходимо полностью слить воду из насосной стан-

ции, а также всасывающей и напорной магистралей.

### Сервис

- ▶ **Ремонт Вашего электроинструмента поручайте только квалифицированному персоналу и только с применением оригинальных запасных частей.**

Список авторизованных сервисных центров можно посмотреть на официальном сайте P.I.T. по ссылке: <https://pittools.ru/services/>

### Описание продукта и услуг



**Прочтите все указания и инструкции по технике безопасности.**

Несоблюдение указаний по технике безопасности и инструкций может привести к поражению электрическим током, пожару и/или тяжелым травмам.

Пожалуйста, соблюдайте иллюстрации в начале руководства по эксплуатации.

### Применение по назначению

Насосная станция предназначена для обеспечения постоянного давления чистой воды при устройстве систем водоснабжения, полива газонов и орошения садовых участков, а также для откачки воды из емкостей или водоемов.

Конструкция насосной станции (полная автоматизация, редкое включение, запас воды под давлением) позволяет использовать насосную станцию в качестве экономичного, не требующего обслуживания источника постоянного давления воды. Большие глубина забора, высота подачи воды и высокая производительность обеспечивают универсальность данной насосной станции для любого загородного дома.

### Устройство насоса

Общий вид инструмента представлен на странице с иллюстрациями.

- 1.насос
- 2.гидроаккумулятор
- 3.соединительный шланг
- 4.реле давления
- 5.манометр
- 6.пневмоклапан

### Технические данные

Модель	POG750-P
Номинальные напряжение/частота	220 В / 50 Гц
Номинальная мощность	750 Вт
Производительность	2.8 м <sup>3</sup> / ч
Высота подъема	45 м

Модель	POG750-P
Объем гидроаккумулятора	24 L
Глубина всасывания	8 Млн
Вес	17 кг

### Комплект поставки

Поверхностный насос	1 шт.
Инструкция пользователя	1 шт.

### Примечание

В тексте и цифровых обозначениях могут быть допущены технические ошибки и опечатки.

Так как изделие постоянно совершенствуется, P.I.T. оставляет за собой право на внесение изменений в указанные здесь технические характеристики и комплектацию изделия без предварительного уведомления.

### Устройство и принцип работы станции

Станция состоит из насоса (1), гидроаккумулятора (2), соединительного шланга (3) и блока автоматики, состоящего из реле давления (4) и манометра (5). Гидроаккумулятор имеет во внутренней полости мембрану из пищевой резины и пневмоклапан (6) для регулировки давления воздуха.

Насос имеет входное (7) и выходное (8) отверстия, а также заливное (9) и сливное (10) отверстия. У насосов серии JS залив воды осуществляется через выходное отверстие насоса (8).

Принцип действия станции заключается в том, что водопроводная сеть всегда находится под давлением. Если Вы откроете кран или другое устройство, давление в системе начнет падать. Когда давление упадет ниже 0,15 МПа (1,5 атм.), реле давления автоматически включит насос, и он компенсирует расход воды. Когда Вы закроете кран, насос будет работать еще некоторое время.

Вода заполнит гидроаккумулятор, и, когда давление в системе возрастет до первоначального состояния 0,3 МПа (3 атм.), насос с помощью реле давления автоматически отключится.

### Монтаж станции и ввод в эксплуатацию

Перед подключением обязательно проверьте соответствие электрических и напорных данных изделия параметрам Вашей электрической и водонапорной сети.

Желательно, чтобы монтаж и ввод станции в эксплуатацию осуществлялись специализированной монтажной организацией. Станцию следует закрепить на жестком основании.

Для уменьшения шума и вибрации при работе станции, ее крепление к основанию следует выполнять через резиновые шайбы и прокладки.

**ВНИМАНИЕ!** Обязательным условием работы станции является наличие обратного клапана 1" на входе всасывающей магистрали (в комплект не входит).

Присоедините всасывающую трубу с обратным клапаном 1" на конце к входному отверстию станции (7). Присоедините напорную трубу к выходному отверстию станции (8). Всасывающая магистраль выполняется из несжимаемого шланга или трубы.

**ВНИМАНИЕ!** Диаметр шланга или трубы должен точно соответствовать диаметру входного отверстия насоса - 1 дюйм.

Исключайте соединения, сужающие или расширяющие проходное сечение шланга, или трубы. Категорически запрещается установка фильтрующих элементов на всасывающей магистрали.

**ВНИМАНИЕ!** Все соединения трубопроводов всасывающей и напорной магистралей должны быть выполнены герметично.

Монтаж всасывающей магистрали длиной более 10 метров по горизонтали не желателен, так как это приведет к уменьшению высоты всасывания. При монтаже всасывающей магистрали необходимо обеспечить непрерывный угол наклона от станции к источнику водозабора не менее одного градуса к горизонту, обратные углы на всасывающей магистрали не допускаются.

### Электроподключение

**ВНИМАНИЕ!** Электроподключение следует выполнять только после окончательного выполнения всех гидравлических соединений.

Электроподключение должно быть выполнено квалифицированным специалистом. Станцию следует устанавливать таким образом, чтобы был обеспечен легкий доступ к электрической розетке. Розетка должна использоваться только для питания станции, иметь заземление и быть подключенной к дифференциальному автоматическому выключателю высокой чувствительности (30 мА). Место установки розетки должно быть защищено от брызг

воды.

**ВНИМАНИЕ!** Запрещается эксплуатировать станцию с поврежденным электрокабелем. В случае повреждения электрокабеля, для его замены необходимо обратиться в сервисный центр.

### Ввод в эксплуатацию

При первоначальном пуске необходимо предварительно залить насос и всасывающую магистраль водой через заливное отверстие (9). Для этого следует вывернуть пробку и заливать воду до тех пор, пока из заливного отверстия не начнет вытекать вода без пузырьков воздуха, после чего завернуть пробку заливного отверстия. Перед запуском станции необходимо с помощью автомобильного манометра проверить давление воздуха в гидроаккумуляторе, подсоединив его к пневмоклапану (6), оно должно быть 0,15 МПа (1,5 атм). При необходимости подкачайте воздух в гидроаккумулятор с помощью автомобильного насоса, в противном случае мембрана может разорваться.

Открыв все водозаборные краны для удаления воздуха из напорной магистрали, включите станцию в электросеть. Насос станции начнет подавать воду.

### Сервис

► Ремонт вашего электроинструмента поручайте только квалифицированному персоналу и только с применением оригинальных запасных частей. Этим обеспечивается безопасность электроинструмента.

Список авторизованных сервисных центров можно посмотреть на официальном сайте P.I.T. по ссылке <https://pittools.ru/services/>

### Хранение и транспортировка

#### Хранение:

- слейте воду из всасывающего и напорного трубопроводов
- открутите резьбовую пробку сливного отверстия и дайте воде вытечь из насоса
- снова закрутите резьбовую пробку сливного отверстия и разместите насос и принадлежности на хранение в защищенном от мороза месте, при температуре от 0 до +35°C и относительной влажности не более 80%.

Транспортировать продукцию можно любым видом закрытого транспорта в упаковке производителя или без нее, с сохранением изделия от механических по-

вреждений, атмосферных осадков.

### Возможные проблемы и неполадки

#### Станция не запускается:

- Отсутствует напряжение сети. Проверьте кабель, вилку, разъемы, предохранитель.
- Перегрев двигателя из-за высокой температуры перекачиваемой жидкости. Устраните причину перегрева и дайте двигателю охладиться.
- Перегрев двигателя из-за перекрытых вентиляционных отверстий. Устраните причину перегрева и дайте двигателю охладиться.
- Сработало устройство защитного отключения. Обратитесь к квалифицированному электрику при повторном срабатывании устройства защитного отключения.
- Неисправен двигатель. Обратитесь в сервисный центр.

#### Недостаточное давление, создаваемое


##### насосной станцией:

- **Недостаточно воды на линии всасывания.** Обеспечьте наличие воды на линии всасывания.
- **Всасывающий трубопровод не герметичен.** Проверьте все уплотнения и места соединения на линии всасывания.
- **Высота всасывания превышает допустимые значения.** Уменьшить высоту всасывания. Высота всасывания должна вычитаться из высоты напора.
- **Утечка между гидравлической частью насоса и двигателем.** Обратитесь в сервисный центр.
- **Насос засорен или неисправен.** Промойте гидравлическую часть насоса чистой водой.
- **Воздух в насосе или всасывающей трубе.** Заполните насос водой. Если всасывающий трубопровод с обратным клапаном, заполните его водой.
- **Изменились настройки реле давления.** Обратитесь в сервисный центр.
- **Всасывающий трубопровод упирается в дно резервуара.** Закрепите или укоротите всасывающий трубопровод.

#### Насос не выключается:

- **Неисправен переключатель «Вкл/Выкл».** Обратитесь в сервисный центр.

## Утилизация

 При утилизации пришедшего в негодность насоса примите все меры, чтобы не нанести вреда окружающей среде.

Не стоит самостоятельно пытаться утилизировать насос. Настоятельно рекомендуется обратиться в специальную службу.

## РАСШИФРОВКА ДАТЫ ИЗГОТОВЛЕНИЯ ИЗДЕЛИЯ

№. 

1	7	0	7	3	0	0	3	9	5
---	---	---	---	---	---	---	---	---	---

год месяц день

Дата изготовления изделия зашифрована в серийном номере, напечатанном на корпусе инструмента. Первые 2 цифры обозначают год выпуска, следующие 2 цифры – месяц и следующие 2 цифры – день.

## УСЛОВИЯ ГАРАНТИЙНОГО ОБСЛУЖИВАНИЯ

1. Настоящее гарантийное свидетельство является единственным документом, подтверждающим ваше право на бесплатное гарантийное обслуживание. Без предъявления данного свидетельства претензии не принимаются. В случае утери или порчи гарантийное свидетельство не восстанавливается.

2. Гарантийный срок на электроинструмент, а также зарядные устройства и аккумуляторные батареи серии OnePower составляет 12 месяцев со дня продажи, в течение гарантийного срока сервисная служба бесплатно устраняет производственные дефекты и производит замену деталей, вышедших из строя по вине изготовителя. На период гарантийного ремонта эквивалентный исправный инструмент не предоставляется. Заменяемые детали переходят в собственность служб сервиса.

Компания P.I.T. не несет ответственности за вред, который может быть причинен при работе с электроинструментом.

3. В гарантийный ремонт инструмент принимается в чистом виде, при обязательном наличии надлежащим образом оформленных документов: настоящего гарантийного свидетельства, гарантийного талона, с полностью заполненными полями, штампом торговой организации и подписью покупателя.

4. Гарантийный ремонт не производится в следующих случаях:

- при отсутствии гарантийного свидетельства и гарантийного талона или неправильном их оформлении;
- при совместном выходе из строя якоря и статора электродвигателя, при обугливание или оплавлении первичной обмотки трансформатора сварочного аппарата, зарядного или пуско-зарядного устройства, при оплавлении внутренних деталей, прожиге электронных плат;
- если гарантийное свидетельство или талон не принадлежат данному электроинструменту или не соответствует установленному поставщиком образцу;
- по истечении срока гарантии;
- при попытках самостоятельного вскрытия или ремонта электроинструмента вне гарантийной мастерской;
- внесения конструктивных изменений и смазки инструмента в гарантийный период, о чем свидетельствуют, например, заломы на шлицевых частях крепежа корпусных деталей.
- при использовании электроинструмента в производственных или иных целях, связанных с получением прибыли, а также при возникновении неисправностей связанных с нестабильностью параметров электросети, превышающих нормы, установленные ГОСТ;
- при неправильной эксплуатации (использование электроинструмента не по назначению, установки на электроинструмент не предназначенных заводом-изготовителем насадок, дополнительных приспособлений и т.п.;
- при механических повреждениях корпуса, сетевого шнура и при повреждениях, вызванных воздействием агрессивных средств и высоких и низких температур, попадании инородных предметов в вентиляционные решетки электроинструмента, а также при повреждениях, наступивших в результате неправильного хранения (коррозия металлических частей);
- при выходе из строя электродвигателя, вследствие заклинивания крыльчатки насоса.
- при естественном износе деталей электроинструмента, в результате длительной эксплуатации (определяется по признакам полной или частичной выработки ресурса, сильного загрязнения, ржавчины снаружи и внутри электроинструмента, отработанной

смазки в редукторе);

- использование инструмента не по назначению, указанному в инструкции по эксплуатации.

- при механических повреждениях инструмента;

- при возникновении повреждений в связи с несоблюдением предусмотренных инструкцией условий эксплуатации (см. главу «Указание по технике безопасности» в инструкции).

- повреждение изделия вследствие несоблюдения правил хранения и транспортировки.

Профилактическое обслуживание электроинструмента (чистка, промывка, смазка, замена пыльников, поршневых и уплотнительных колец) в гарантийный период является платной услугой.

Срок службы изделия составляет 3 года. Срок хранения – 2 года. Не рекомендуется к эксплуатации по истечении 2 лет хранения с даты изготовления, которая указана в серийном номере на этикетке инструмента, без предварительной проверки (определение даты выпуска смотрите ранее в Руководстве пользователя).

О возможных нарушениях, изложенных выше условий гарантийного обслуживания, владельцу сообщается после проведения диагностики в сервисном центре.

Владелец инструмента доверяет проведение диагностики в сервисном центре в свое отсутствие.

Запрещается эксплуатация электроинструмента при проявлении признаков повышенного нагрева, искрения, а также шума в редукторной части. Для выяснения причин неисправности покупателю следует обратиться в гарантийную мастерскую.

Неисправности, вызванные несвоевременной заменой угольных щеток двигателя, устраняются за счет покупателя.

5. Гарантия не распространяется на:

- сменные принадлежности (аксессуары и оснастка), например: аккумуляторы, диски, ножи, сверла, буры, патроны, цепи, звездочки, цанговые зажимы, шины, элементы натяжения и крепления, головки триммеров, подошвы шлифовальных и ленточных машин, фильтры, головки шестигранные сменные насадки и т.п.

- быстроизнашивающиеся детали, например: угольные щетки, приводные ремни, сальники, защитные кожухи, направляющие ролики, направляющие, резиновые

уплотнения, подшипники, зубчатые ремни и колеса, стволы, ленты тормоза, храповики и тросы стартеров, поршневые кольца и т.п.

Замена их в течение гарантийного срока является платной услугой.

-шнуры питания, в случае повреждения изоляции, шнуры питания подлежат обязательной замене без согласия владельца (услуга платная), в т.ч. корпуса инструмента.

# P.I.T. WARRANTY CERTIFICATE

Product Name \_\_\_\_\_

Product Serial Number

Charger Serial Number

Sale Date \_\_\_\_\_

Trade Organization Name \_\_\_\_\_



Dear customer!

Thank you for purchasing the P.I.T.tool, and we hope that you will be satisfied with your choice. In the process of manufacturing the P.I.T.tools pass multilevel quality control, if nevertheless your product will need maintenance, please contact the authorized P.I.T.service centers.

Attention!

When buying, ask a seller to check the completeness and operability of the tool, to fill out the Warranty Certificate, the Warranty Card (the boxes shall be filled out by a seller) and to affix the seal of the trade organization in the Guarantee Certificate and the Warranty Card.

Warranty

By this Warranty Certificate, P.I.T. company guarantees the absence of defects of the production nature.

In the event any of the above defects are detected during the warranty period, the specialized P.I.T. service centers shall repair the product and replace the defective spare parts free of charge.

The warranty period for P.I.T. electric machines is 12 months from the date of sale.

“The warranty maintenance terms acknowledged and accepted. The operability and completeness of the product are checked in my presence. No claims on quality and appearance.”

Buyer’s Signature \_\_\_\_\_ Surname (legibly) \_\_\_\_\_

Phone \_\_\_\_\_

**ГАРАНТИЙНОЕ СВИДЕТЕЛЬСТВО НА ИНСТРУМЕНТ P.I.T.**

Наименование изделия \_\_\_\_\_

Серийный номер изделия □□□□□□□□□□

Серийный номер зарядного устройства □□□□□□□□□□

Дата продажи « \_\_\_\_ » \_\_\_\_\_

Наименование торговой организации \_\_\_\_\_

Уважаемый покупатель!

М.П.

Благодарим Вас за покупку инструмента P.I.T. и надеемся, что Вы останетесь довольны своим выбором.

При необходимости обслуживания Вашего изделия обращайтесь в авторизованные сервисные центры P.I.T. Все сервисные центры представлены на сайте [www.pittools.ru](http://www.pittools.ru)

**Внимание!**

При покупке требуйте у продавца проверки работоспособности инструмента и его комплектности, а также заполнения гарантийного свидетельства, гарантийного талона (графы «Заполняются продавцом») и простановки печати торговой организации в гарантийном свидетельстве и гарантийных талонах.

**Гарантия**

На основании данного гарантийного свидетельства компания P.I.T. гарантирует отсутствие дефектов производственного характера.

Если в течение гарантийного срока в Вашем изделии обнаружатся указанные дефекты, то специализированные сервисные центры P.I.T. бесплатно отремонтируют изделие и заменят дефектные запасные части.

Гарантийный срок на электроинструменты P.I.T. составляет 12 месяцев со дня продажи.

«С условиями гарантийного обслуживания ознакомлен(а). Работоспособность и комплектность изделия проверены в моем присутствии. Претензий к качеству и внешнему виду не имею».

Подпись покупателя \_\_\_\_\_ Фамилия (разборчиво) \_\_\_\_\_

Телефон \_\_\_\_\_

# P.I.T. WARRANTY CARD

Name _____ Serial Number _____ Sale Date _____ 20__ Date of Receipt from Repair _____ 20__	<b>P.I.T.</b>		<b>№ 1</b>
	Name _____		
	Serial Number _____		
	Sale Date _____ 20__		Place of Seal
	(Filled out by a Seller)		
	WARRANTY REPAIR CARD		
	Date of Acceptance for Repair _____ 20__		
	Application for Repair _____		
	Customer _____		
	Phone (Address) _____		
Cause of Application _____			
Date of Receipt from Repair _____ 20__			
The Tool is checked in my presence _____			
(The Order shall be performed in a Service Center) (Signature)			

Name _____ Serial Number _____ Sale Date _____ 20__ Date of Receipt from Repair _____ 20__	<b>P.I.T.</b>		<b>№ 2</b>
	Name _____		
	Serial Number _____		
	Sale Date _____ 20__		Place of Seal
	(Filled out by a Seller)		
	WARRANTY REPAIR CARD		
	Date of Acceptance for Repair _____ 20__		
	Application for Repair _____		
	Customer _____		
	Phone (Address) _____		
Cause of Application _____			
Date of Receipt from Repair _____ 20__			
The Tool is checked in my presence _____			
(The Order shall be performed in a Service Center) (Signature)			

Name _____ Serial Number _____ Sale Date _____ 20__ Date of Receipt from Repair _____ 20__	<b>P.I.T.</b>		<b>№ 3</b>
	Name _____		
	Serial Number _____		
	Sale Date _____ 20__		Place of Seal
	(Filled out by a Seller)		
	WARRANTY REPAIR CARD		
	Date of Acceptance for Repair _____ 20__		
	Application for Repair _____		
	Customer _____		
	Phone (Address) _____		
Cause of Application _____			
Date of Receipt from Repair _____ 20__			
The Tool is checked in my presence _____			
(The Order shall be performed in a Service Center) (Signature)			

## ГАРАНТИЙНЫЙ ТАЛОН P.I.T.

P.I.T.

Талон № 1

Наименование \_\_\_\_\_  
 Серийный номер \_\_\_\_\_  
 Дата продажи « \_\_\_\_ » \_\_\_\_\_ 20\_\_ Place of Seal  
 (Заполняется продавцом)  
 КАРТА ГАРАНТИЙНОГО РЕМОНА  
 Дата приема ремонт \_\_\_\_\_ 20\_\_  
 Заявка на ремонт \_\_\_\_\_  
 Заказчик \_\_\_\_\_  
 Телефон (адрес) \_\_\_\_\_  
 Причина обращения \_\_\_\_\_  
 Дата получения от ремонта \_\_\_\_\_ 20\_\_  
 Инструмент проверен в моем присутствии \_\_\_\_\_  
 (Заказ заполняется в Сервисном Центре) (Подпись)

Наименование \_\_\_\_\_  
 Серийный номер \_\_\_\_\_  
 Дата продажи \_\_\_\_\_ 20\_\_  
 Дата получения от ремонта \_\_\_\_\_ 20\_\_

P.I.T.

Талон № 2

Наименование \_\_\_\_\_  
 Серийный номер \_\_\_\_\_  
 Дата продажи « \_\_\_\_ » \_\_\_\_\_ 20\_\_ Place of Seal  
 (Заполняется продавцом)  
 КАРТА ГАРАНТИЙНОГО РЕМОНА  
 Дата приема ремонт \_\_\_\_\_ 20\_\_  
 Заявка на ремонт \_\_\_\_\_  
 Заказчик \_\_\_\_\_  
 Телефон (адрес) \_\_\_\_\_  
 Причина обращения \_\_\_\_\_  
 Дата получения от ремонта \_\_\_\_\_ 20\_\_  
 Инструмент проверен в моем присутствии \_\_\_\_\_  
 (Заказ заполняется в Сервисном Центре) (Подпись)

Наименование \_\_\_\_\_  
 Серийный номер \_\_\_\_\_  
 Дата продажи \_\_\_\_\_ 20\_\_  
 Дата получения от ремонта \_\_\_\_\_ 20\_\_

P.I.T.

Талон № 3

Наименование \_\_\_\_\_  
 Серийный номер \_\_\_\_\_  
 Дата продажи « \_\_\_\_ » \_\_\_\_\_ 20\_\_ Place of Seal  
 (Заполняется продавцом)  
 КАРТА ГАРАНТИЙНОГО РЕМОНА  
 Дата приема ремонт \_\_\_\_\_ 20\_\_  
 Заявка на ремонт \_\_\_\_\_  
 Заказчик \_\_\_\_\_  
 Телефон (адрес) \_\_\_\_\_  
 Причина обращения \_\_\_\_\_  
 Дата получения от ремонта \_\_\_\_\_ 20\_\_  
 Инструмент проверен в моем присутствии \_\_\_\_\_  
 (Заказ заполняется в Сервисном Центре) (Подпись)

Наименование \_\_\_\_\_  
 Серийный номер \_\_\_\_\_  
 Дата продажи \_\_\_\_\_ 20\_\_  
 Дата получения от ремонта \_\_\_\_\_ 20\_\_



www.pit-tools.com

# P.I.T.

**Поставщик / производитель:** Xinjiang Longbo Industrial Co., Ltd./Синьцзян Лонгбо Индастриал Ко., Лтд.

**Адрес производства:** Rm. 602, 6th Floor, No. 531, Weixing Road, Economic And Technological Development Zone, Urumqi, Xinjiang, China / Оф.602, 6 этаж, №531, Вейшинг Родд, Экономик Энд Технолоджикал Девелопмент Зон, Урумчи, Синьцзян, Китай

**Импортер/ организация, уполномоченная принимать претензии:** ООО «Турбо-Тулс»

**Юридический адрес:** 117246, г. Москва, ул. Херсонская, 43 - 670

**Вопросы и предложения направляйте по адресу:** 614058, г. Пермь, ул. Фоминская, 36  
**Горячая линия по сервисному обслуживанию:**



**\*2445**

Звонок с мобильного  
бесплатный

[info@pittools.ru](mailto:info@pittools.ru)

Сделано в КНР / Made in China

