



P.I.T.[®]

Progressive Innovative Technology

EN

PRODUCT PASSPORT
USER'S MANUAL

RU

ПАСПОРТ ИЗДЕЛИЯ ИНСТРУКЦИЯ
ПОЛЬЗОВАТЕЛЯ

IMPACT WRENCH **ЭЛЕКТРИЧЕСКИЙ УДАРНЫЙ ГАЙКОВЕРТ**



EAC

PIW1050-C

PROGRESSIVE INNOVATIONAL TECHNOLOGY

ПРОГРЕССИВНЫЕ ИННОВАЦИОННЫЕ ТЕХНОЛОГИИ



GENERAL SAFETY PRECAUTIONS

1. Always keep the workplace clean. Contaminated workplace and workbenches increase the risk of accidents.
2. Follow the operation manual carefully. Do not use the tool when it rains. Also do not use the tool in damp locations. The workplace should be well-lit. Do not use the tool near flammable liquids or gas. During operation, as well as power on and power off, the tool generates sparks. Therefore, never use the tool in places where there are varnishes, paints, gasoline, dissolvers, gas, adhesives and other flammable and explosive materials.
3. To prevent electric shock during operation, make sure that the tool case is not in contact with grounded objects, for example, when laying pipes, when installing heating batteries, plates, refrigerators, etc.
4. Keep children away from the electric tool while it is operating. Keep unauthorized persons away from the electric tool and power extender.
5. Store the tool in a dry and lockable place so that it does not fall into the hands of children or unauthorized persons.
6. Use the tool without pressure and applying force. The tool will work better and more reliably if you use the recommended speeds by the operation manual.
7. Use only those types of tools that directly comply with the requirements of this type of work. For jobs requiring a high power tool, you cannot use a tool with a lower power. It is recommended to use tools suitable for the application purposes, for example, do not use a circular saw in order to saw down knots or trees.
8. During work, wear comfortable and suitable clothing. Do not also wear jewelry during operation. Loose parts of clothing or apparels can be tightened by moving parts of the tool. During work on the street, rubber gloves and comfortable shoes with lug sole should be worn on so that the sole does not slip.
9. If a large amount of dust forms during operation, wear safety goggles and an anti-powder mask.
10. Handle the cable with care. When unplugging, do not pull the cable. Do not leave the cable in the heat, on the oil surface or on the surface with sharp edges.
11. Secure the workpiece securely. Use clamps and jaws if possible to secure the part. This is more reliable than holding the part.
12. Do not tilt the tool too much. Always maintain a stable position and a good balance.
13. Watch closely for the tool conditions. For better and more reliable use, they must always be sharp and clean. Follow the operation manual for lubricating and replacing the accessories. Regularly check the tool cable condition and, if damaged, return it to the technical service centers for repairs. From time to time, check the power extender and replace it if damaged. Keep handles in a dry, clean place; do not allow oil and grease to enter the handles.
14. Disconnect tool from the mains, when not in use, and do not power on them during servicing or replacing accessories, such as a circular saw blade, drill bit, blade, etc.
15. Always check before power on the tool that the adjusting wrench and the wrench are removed.
16. Avoid involuntary power on the tool. Do not hold the connected tool by the switch. Before attaching, make sure that the tool is disconnected.
17. When working outdoors, use an appropriate power extender. Use only a power extender fits the wire cross-section.
18. Always keep the work process under control. Do not use tool if you are tired.
19. Inspect damaged parts carefully. Before further use of the tool, carefully check that the tool functions properly and if all the prescribed functions are performed by the tool. Also check the installation and fastening of moving parts, watch for parts breakage and other conditions that can adversely affect the operation of the tool. Damaged parts and protective equipment must be exchanged only in technical service centers. Defective switches are also exchanged in these centers. Do not use the tool if it cannot be powered on or off by the switch.
20. Use electric tools only for the purpose intended in the operation manual.
21. Using of the accessory components that are not listed in the operation manual or in the catalog may

cause the tool damage.

22. Repair the tool only in special technical service centers. The manufacturer is not liable for damage or damage caused to the tool as a result of repair by persons who do not have special authority for this or as a result of careless handling of the tool.

23. In order to ensure the production integrity of the tool, never remove the built-in cases or bolts.

24. Do not touch the moving parts and accessories if the tool is not powered off.

25. Use a tool with low power consumption as indicated on the type plate of the tool, otherwise, due to overload, the quality of the surface to be treated, and consequently the efficiency, can be significantly reduced.

26. Do not wipe the plastic parts with solvent. Solvents such as gasoline, solvent, carbon tetrachloride, alcohol, ammonia and oil can damage the plastic material or cause cracks. When cleaning plastic parts, use soapy water and a wash-cloth.

27. Use only original replacement parts.

28. A detailed diagram of the elements in the operation manual is provided only for technical service

Currently, 10 kinds of mechanical and electrical equipment are produced under the P.I.T. trademark. In terms of sales, electric screwdrivers occupy one of the leading positions.

Each letter and number in the designation of the P.I.T. model has the meaning.

For example, **PIW1050-C**:

P – Trademark of P.I.T.

IW – Impact wrench

1050 – Engine power

C – modification series

INTENDED USE

The power tool is designed for screwing in and unscrewing of nuts and bolts. As a result of use of additional accessories and fixings, the designated area of the electric tool extends.

PRODUCT SPECIFICATIONS

| | |
|-------------------------|--------------|
| Rated voltage | 220 V |
| Rated frequency | 50 Hz |
| The chuck type and size | square, 1/2" |
| No-load speed | 2,200 rpm |
| Rotational moment | 100/350 Nm |
| Rated capacity | 1,050 W |
| Presence of impact | yes |
| Weight | 3.5 kg |

STANDARD SET

- Electric impact screwdriver
- Operation manual
- Plastic case
- Multihead tool (17, 19, 21, 22 mm)

Attention! The manufacturer has the right to change the standard set of the product without prior notice!

FEATURES

- Metal gearbox case
- Reverse rotation
- Impact function
- Speed control
- Easy access to the brush unit
- Convenient and durable storage case
- Multihead tool

| MODEL | DOUBLE INSULATION | MECHANICAL GOVERNOR | REVERSE ROTATION | SELF-BLOCKING KEY | SPINDLE IMPACT ROTATION MODE |
|-----------|----------------------|------------------------|---------------------|----------------------|---------------------------------|
| PIW1050-C | ■ | ■ | ■ | □ | ■ |



- 2. Gearbox case
- 3. Speed controller

- 5. Reverse switch
- 6. Brush assembly

RULES OF OPERATION

Preparation and start

Install the required tool (head) on the shaft (1).

Note! The product is equipped with a tool retainer that holds the head piece during operation and carrying. For removal / installation, a certain force must be applied.

Note! For installation on the product, use only heads suitable for impact operation. The product is switched on by pressing the on/off control (4).

Press the corresponding key (5) depending on the desired direction of rotation (screwing in/unscrewing).

When screwing in/unscrewing fasteners, the rotational moment is set using the controller (3).

Note! When screwing in, do not turn off the product immediately when the fastener stops in the part; when unscrewing, wait for at least the specified time before unscrewing.

The product has a high rotational moment. Always hold it **FIRMLY** with both hands during operating.

During breaks or at the end of operation, turn off the product by releasing the on/off control (4). In the process of intensive work, the gearbox case and the working head are heated. Do not touch them immediately after operation and until completely cooled down.

MAINTENANCE

1. At the end of operation, remove the tool from the output shaft (1).
2. Clean the tool from dust, dirt with a clean rag. Do not use solvents or petrochemicals to clean plastic parts.
3. Clean the replacement accessories, fixings.
4. Periodically check the tightening of all threaded connections of the tool and, if necessary, tighten all loose fastenings.

Without presenting this certificate, no claims are accepted. In case of loss or damage, the warranty certificate is not restored.

2. The warranty period for the electric machine is 12 months from the date of sale, during the warranty period the service department eliminates manufacturing defects and replaces parts that have failed due to the fault of the manufacturer free of charge. In the warranty repair, an equivalent operable product is not provided. Replaceable parts become property of service providers.

P.I.T is not liable for any damage that may be caused by operation of the electric machine.

3. Only clean tool accompanied with the following duly executed documents: this Warranty Certificate, Warranty Card, with all fields filled out, bearing the stamp of the trade organization and the signature of the buyer, shall be accepted for warranty repair.

4. Warranty repair is not performed in the following cases:

- in the absence of a Warranty Certificate and a Warranty Card or their incorrect execution;
- with failure of both a rotor and a stator of the electric engine, charring or melting of primary winding of the welding machine transformer, charging or starting-charging device, with internal parts melting, burn down of electronic circuit boards;
- if a Warranty Certificate or a Warranty Card does not correspond to this electric machine or to the form established by the supplier;
- upon expiration of the warranty period;
- at attempts of opening or repair of the electric machine outside the warranty workshop; making constructive changes and lubrication of the tool during the warranty period, as evidenced, for example, by the creases on the spline parts of the fasteners of non-rotational parts.
- when using electric tools for production or other purposes connected with making a profit, as well as in case of malfunctions related to instability of the power network parameters exceeding the norms established by GOST;
- in the events of improper operation (use the electric machine for other than intended purposes, attachments to the electric machine of attachments, accessories, etc. not provided by the manufacturer);
- with mechanical damage to the case, power cord and in case of damages caused by aggressive agents and high and low temperatures, ingress of foreign objects in the ventilation grids of the electric machine, as well as in case of damage resulting from improper storage (corrosion of metal parts);
- natural wear and tear on the parts of the electric machine, as a result of long-term operation (determined on the basis of the signs of full or partial depletion of the specified mean life, great contamination, presence of rust outside and inside the electric machine, waste lubricant in the gearbox);
- use of the tool the purposes for other than specified in the operating instructions.
- mechanical damages to the tool;
- in the event of damages due to non-observance of the operating conditions specified in the instruction (see chapter “Safety Precautions” of the Manual).
- damage to the product due to non-observance of the rules of storage and transportation.

Preventive maintenance of electric machines (cleaning, washing, lubrication, replacement of anthers, piston and sealing rings) during the warranty period is a paid service.

The service life of the product is determined by the manufacturer and is 2 years from the date of manufacture.

The owner is notified of any possible violations of the above terms of warranty service upon completion of diagnostics in the service center.

The owner of the tool entrusts the diagnostic procedure to be conducted in the service center in his absence.

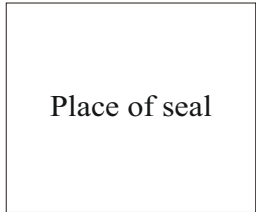
Do not operate the electric machine when there are signs of excessive heat, sparking, or noise in the gearbox. To determine the cause of the malfunction, the buyer should contact the warranty service center.

5. The warranty does not cover:

- replacement accessories (accessories and components), for example: batteries, discs, blades, drill bits, borers, chucks, chains, sprockets, collet clamps, guide rails, tension and fastening elements, trimming device heads, base of grinding and belt sander machines, hexagonal heads, etc.,
- fast wearing parts, for example: carbon brushes, drive belts, seals, protective covers, guiding rollers, guides, rubber seals, bearings, toothed belts and wheels, shanks, brake belts, starter ratchets and ropes, piston rings, etc. Their replacement during the warranty period is a paid service;
- power cords, in case of damage to the insulation, power cords are subject to mandatory replacement without the consent of the owner (paid service);
- tool case.

P.I.T. WARRANTY CERTIFICATE

Product Name _____
Product Number □□□□□□□□□□
Serial Number □□□□□□□□□□
Sale Date _____
Trade Organization Name _____



Dear customer!

Thank you for purchasing the P.I.T tool, and we hope that you will be satisfied with your choice. In the process of manufacturing the P.I.T tools pass multilevel quality control, if nevertheless your product will need maintenance, please contact the authorized P.I.T service centers.

Attention!

When buying, ask a seller to check the completeness and operability of the tool, to fill out the Warranty Certificate, the Warranty Card (the boxes shall be filled out by a seller) and to affix the seal of the trade organization in the Guarantee Certificate and the Warranty Card.

Warranty

By this Warranty Certificate, P.I.T. company guarantees the absence of defects of the production nature.

In the event any of the above defects are detected during the warranty period, the specialized P.I.T. service centers shall repair the product and replace the defective spare parts free of charge.

The warranty period for P.I.T. electric machines is 12 months from the date of sale.

“The warranty maintenance terms acknowledged and accepted. The operability and completeness of the product are checked in my presence. No claims on quality and appearance.”

Buyer's Signature _____ Surname (legibly) _____

Phone _____



ОБЩИЕ МЕРЫ БЕЗОПАСНОСТИ

1. Всегда поддерживайте рабочее место в чистом состоянии. Загрязненные рабочие поверхности и верстаки повышают опасность несчастного случая.
2. Строго соблюдайте рекомендации инструкции по эксплуатации. Не используйте инструмент во время дождя. Также не используйте инструмент во влажных помещениях. Рабочее место должно быть хорошо освещено. Не используйте инструмент вблизи легковоспламеняющихся жидкостей или газа. Во время эксплуатации, а также при включении и выключении инструмент вырабатывает искры. Поэтому никогда не используйте инструмент в тех местах, где находятся лак, краски, бензин, растворитель, газ, клей и другие воспламеняющиеся и взрывоопасные материалы.
3. Чтобы Вас во время работы не ударило током, следите за тем, чтобы корпус инструмента не был в контакте с заземленными предметами, например при прокладке труб, при установке отопительных батарей, плит, холодильников и т.д.
4. Храните инструмент таким образом, чтобы дети не могли им воспользоваться. Избегайте контакта других лиц с инструментом или удлинителем.
5. Храните инструмент в сухом и запираемом месте, чтобы он не попал в руки детям или другим лицам.
6. Используйте инструмент без нажима и применения силы. Инструмент будет работать лучше и надежнее, если использовать скорости, рекомендуемые инструкцией.
7. Пользуйтесь только теми инструментами, которые непосредственно соответствуют требованиям работы данного типа. Для работ, требующих инструмент высокой мощности, нельзя использовать инструмент с более низкой мощностью. Рекомендуется использовать инструменты, соответствующие цели применения например, не следует применять циркулярную пилу для того, чтобы отпилить сучки или спилить дерево.
8. Во время работы следует надевать удобную и подходящую для работы одежду. Не следует также во время работы надевать украшения. Свободно болтающиеся части одежды или украшения могут быть затянuty движущимися частями инструмента. Во время работы на улице следует надевать резиновые перчатки и удобную обувь на рифленой подошве, чтобы подошва не скользила.
9. Если во время работы образуется большое количество пыли, то следует надевать защитные очки и противопылевую маску.
10. Осторожно обращайтесь с кабелем. При выключении из розетки не тяните за кабель. Не оставляйте кабель на жаре, на масляной поверхности или на поверхности с острыми краями.
11. Надежно закрепляйте обрабатываемую деталь. Для закрепления детали используйте по возможности тиски и зажимы. Это более надежно, чем удерживать деталь в руках.
12. Не наклоняйте инструмент слишком сильно. Всегда сохранять устойчивое положение и хороший баланс.
13. Внимательно следите за состоянием инструментов. Для лучшего и более надежного использования они должны быть всегда острыми и чистыми. Следуйте указаниям по смазке и замене комплектующих деталей. Регулярно проверяйте состояние кабеля инструмента и при повреждении отдавайте в ремонт в центры техобслуживания. Время от времени проверяйте удлинитель и заменяйте его при повреждении. Рукоятки храните в сухом, чистом месте, не допускайте попадания на рукоятки масла и жира.
14. Отсоединяйте инструменты от сети, если они не используются, и не включайте при техобслуживании или замене комплектующих деталей, таких, как например, пильный диск, сверло, нож и т.д.
15. Всегда проверяйте перед включением инструмента, удалены ли установочный и гаечный ключи.
16. Избегайте произвольного включения инструмента. Не держите подсоединенный инструмент за переключатель. Перед присоединением убедитесь, что инструмент выключен.
17. При работе на свежем воздухе используйте соответствующий удлинитель. Используйте только такой удлинитель, который подходит по сечению провода.
18. Процесс работы всегда держите под контролем. Не работайте с инструментом в утомленном состоянии.

19. Внимательно проверяйте поврежденные детали. Перед дальнейшим использованием инструмента тщательно проверяйте, правильно ли функционирует прибор и все ли предписанные функции он выполняет. Также проверяйте установку и закрепление движущихся частей, следите за поломкой частей и другими состояниями, которые могут отрицательно сказаться на работе инструмента. Испорченные детали и предохранительные устройства должны обмениваться только в центрах техобслуживания. Дефектные выключатели также обмениваются в этих центрах. Не используйте инструмент, если он не может быть включен или выключен с помощью выключателя.
20. Используйте электроинструменты только по назначению, указанному в инструкции по эксплуатации.
21. Использование комплектующих деталей, не указанных в инструкции по эксплуатации или в каталоге, может привести к поломке инструмента.
22. Инструмент ремонтируйте только в специальных центрах техобслуживания. Изготовитель не несет ответственности за повреждения или порчу, причиненную инструменту в результате его ремонта лицами, не имеющими на это специальных полномочий или в результате неосторожного обращения с инструментом.
23. Для того чтобы обеспечить производственную целостность инструмента, никогда не удаляйте вмонтированные крышки или болты.
24. Не дотрагивайтесь до движущихся частей и комплектующих деталей, если инструмент не выключен.
25. Инструмент с незначительной потребляемой мощностью используйте так, как указано в типовой табличке инструмента, в противном случае из-за перегрузки качество обрабатываемой поверхности, а соответственно и КПД, может значительно снизиться.
26. Не протирайте растворителем пластиковые детали. Растворители, такие как бензин, растворитель, четыреххлористый углерод, спирт, аммиак и масло могут испортить пластиковый материал или стать причиной трещин. При чистке пластиковых деталей используйте мыльную воду и тряпочку.
27. Используйте только оригинальные сменные детали.
28. Подробная схема элементов, расположенная в руководстве по эксплуатации, представлена только

В настоящее время под маркой P.I.T. выпускается механическое и электрическое оборудование 10 видов. По объему продаж ударные электрические гайковерты занимают одно из лидирующих мест. Каждая буква и цифра в обозначении модели P.I.T. имеет значение.

Например, **PIW1050-C**:

P - торговая марка P.I.T.

IW - электрический ударный гайковерт

1050 - мощность двигателя **C** - серия модификации

НАЗНАЧЕНИЕ

Электроинструмент предназначен для закручивания и откручивания гаек и болтов. В результате применения дополнительных принадлежностей и приспособлений, область применения электроинструмента расширяется.

ТЕХНИЧЕСКИЕ ХАРАКТЕРИСТИКИ

| | |
|------------------------------------|--------------|
| Номинальное напряжение | 220 В |
| Номинальная частота | 50 Гц |
| Тип и размер патрона | квадрат, 112 |
| Скорость вращения на холостом ходу | 2200 Об/МИН |
| Крутящий момент | 100/350 Нм |
| Номинальная мощность | 1050 Вт |
| Наличие удара | есть |
| Вес | 3,5 кг |

КОМПЛЕКТ ПОСТАВКИ

-Гайковерт ударный электрический

-Инструкция по эксплуатации

-Пластиковый кейс

-Набор головок (17, 19, 21, 22 мм)

Внимание! Производитель вправе изменять комплектацию изделия без предварительного уведомления!

ОСОБЕННОСТИ

- металлический корпус редуктора
- реверсное вращение
- ударная функция
- регулировка оборотов
- легкий доступ к щеточному узлу
- удобный и прочный кейс для хранения
- набор головок

| Модель | Двойная изоляция | Механический регулятор оборотов | Реверсное вращение | Клавиша самоблокировки | Режим ударного вращения шпинделя |
|-----------|------------------|---------------------------------|--------------------|------------------------|----------------------------------|
| PIW1050-C | ■ | ■ | ■ | □ | ■ |



1. Выходной вал
2. Корпус редуктора
3. Регулятор оборотов

4. Выключатель
5. Переключатель реверса
6. Щеточный узел

ПРАВИЛА ЭКСПЛУАТАЦИИ

Подготовка и запуск

Установите на вал (1) необходимый инструмент (головку).

Примечание! Изделие снабжено фиксатором насадки, который удерживает насадку во время работы и переноски. Для снятия/установки необходимо приложить определенное усилие.

Примечание! Для установки на изделие используйте только головки, подходящие для ударного режима работы.

Включение изделия производится нажатием на выключатель (4).

В зависимости от необходимого направления вращения (на закручивание/откручивание), нажмите на соответствующую клавишу (5).

При закручивании/откручивании крепежных изделий, крутящий момент устанавливается при помощи регулятора (3).

Примечание! При закручивании не выключайте изделие сразу при упоре крепежного элемента в деталь; при откручивании ждите не менее указанного времени до начала откручивания.

Изделие обладает высоким крутящим моментом. Всегда **КРЕПКО** удерживайте его обеими руками при работе. При перерывах или по окончании работы выключите изделие, отпустив выключатель (4).

.В процессе интенсивной работы корпус редуктора изделия и рабочая головка нагреваются. Не прикасайтесь к ним сразу по окончании работы и до полного остывания.

ТЕХНИЧЕСКОЕ ОБСЛУЖИВАНИЕ

1. В конце работы извлеките оснастку с выходного вала (1).
2. Очистите инструмент от пыли, грязи чистой ветошью. Не используйте для очистки пластиковых деталей растворители и нефтепродукты.
3. Очистите сменные принадлежности, оснастку.
4. Периодически проверяйте затяжку всех резьбовых соединений инструмента и, при необходимости-

ваше право на бесплатное гарантийное обслуживание. Без предъявления данного свидетельства претензии не принимаются. В случае утери или порчи гарантийное свидетельство не восстанавливается.

2. Гарантийный срок на электроинструмент составляет 12 месяцев со дня продажи, в течение гарантийного срока сервисная служба бесплатно

устраняет производственные дефекты и производит замену деталей, вышедших из строя по вине изготовителя. На период гарантийного ремонта эквивалентный исправный инструмент не предоставляется. Заменяемые детали переходят в собственность служб сервиса.

Компания P.I.T. не несет ответственности за вред, который может быть причинен при работе с электроинструментом.

3. В гарантийный ремонт инструмент принимается в чистом виде, при обязательном наличии надлежащим образом оформленных документов:

настоящего гарантийного свидетельства, гарантийного талона, с полностью заполненными полями, штампом торговой организации и подписью покупателя.

4. Гарантийный ремонт не производится в следующих случаях:

- при отсутствии гарантийного свидетельства и гарантийного талона или неправильном их оформлении;

- при совместном выходе из строя якоря и статора электродвигателя, при обугливании или оплавлении первичной обмотки трансформатора

сварочного аппарата, зарядного или пуска-зарядного устройства, при оплавлении внутренних деталей, прожиге электронных плат;

если гарантийное свидетельство или талон не принадлежат данному электроинструменту или не соответствует установленному поставщиком образцу;

- по истечении срока гарантии;

- при попытках самостоятельного вскрытия или ремонта электроинструмента вне гарантийной мастерской; внесения конструктивных изменений

и смазки инструмента в гарантийный период, о чем свидетельствуют, например, заломы на шлицевых частях крепежа корпусных деталей.

- при использовании электроинструмента в производственных или иных целях, связанных с получением прибыли, а также - при возникновении неисправностей связанных с нестабильностью параметров электросети, превышающих нормы, установленные ГОСТ;

- при неправильной эксплуатации (использование электроинструмента не по назначению, установки на электроинструмент не предназначенных

заводом-изготовителем насадок, дополнительных приспособлений и т.п.);

- при механических повреждениях корпуса, сетевого шнура и при повреждениях, вызванных воздействиями агрессивных средств и высоких и низких температур, попадании инородных предметов в вентиляционные решетки электроинструмента, а также при повреждениях, наступивших в результате неправильного хранения (коррозия металлических частей);

- при естественном износе деталей электроинструмента, в результате длительной эксплуатации (определяется по признакам полной или

частичной выработки ресурса, сильного загрязнения, ржавчины снаружи и внутри электроинструмента, отработанной смазки в редукторе);

- использование инструмента не по назначению, указанному в инструкции по эксплуатации.

- при механических повреждениях инструмента;

- при возникновении повреждений в связи с несоблюдением предусмотренных инструкцией условий эксплуатации (см. главу Указание по

технике безопасности в инструкции).

- повреждение изделия вследствие несоблюдения правил хранения и транспортировки.

ков, поршневых и уплотнительных колец) в гарантийный период является платной услугой.

Срок службы изделия установлен изготовителем и составляет 2 года со дня изготовления.

О возможных нарушениях, изложенных выше условий арантийно о обслуживания, владельцу сообщается после проведения диагностики в сервисном центре.

Владелец инструмента доверяет проведение диагностики в сервисном центре в свое отсутствие.

Запрещается эксплуатация электроинструмента при проявлении признаков повышенного нагрева, искрения, а также шума в редукторной части. Для выяснения причин неисправности покупателю следует обратиться в гарантийную мастерскую.

Неисправности, вызванные несвоевременной заменой угольных щеток двигателя, устраняются за счет покупателя.

5. Гарантия не распространяется на:

сменные принадлежности (аксессуары и оснастка), например: аккумуляторы, диски, ножи, сверла, буры, патроны, цепи, звездочки, цанговые зажимы, шины, элементы натяжения и крепления, головки триммеров, подошвы шлифовальных и ленточных машин, фильтры, головки шести ранние и т.п.

-быстроизнашивающиеся детали, например: угольные щетки, приводные ремни, сальники, защитные кожухи, направляющие ролики,

направляющие, резиновые уплотнения, подшипники, зубчатые ремни и колеса, стволы, ленты тормоза, храповики и тросы стартеров, поршневые кольца и т.п. Замена их в течении гарантийного срока является платной услугой.

-шнуры питания, в случае повреждения изоляции, шнуры питания подлежат обязательной замене без согласия владельца (услуга платная).

ГАРАНТИЙНОЕ СВИДЕТЕЛЬСТВО НА ИНСТРУМЕНТ P.I.T.

Наименование изделия _____

Артикул изделия □□□□□□□□□□

Серийный номер □□□□□□□□□□

Дата продажи «_____» _____

Наименование торговой организации _____

М.П.

Уважаемый покупатель!

Благодарим Вас за покупку инструмента P.I.T. и надеемся, что Вы останетесь довольны своим выбором. В процессе производства инструменты P.I.T. проходят многоуровневый контроль качества, если тем не менее Ваше изделие будет нуждаться в обслуживании, просим Вас обращаться в авторизованные сервисные центры P.I.T.

Внимание!

При покупке требуйте у продавца проверки комплектности и работоспособности инструмента, заполнение гарантийного свидетельства, гарантийного талона(графы заполняются продавцом) и простановки печати торговой организации в гарантийном свидетельстве и гарантийном талоне.

Гарантия

На основании данного гарантийного свидетельства компания P.I.T. гарантирует отсутствие дефектов производственного характера.

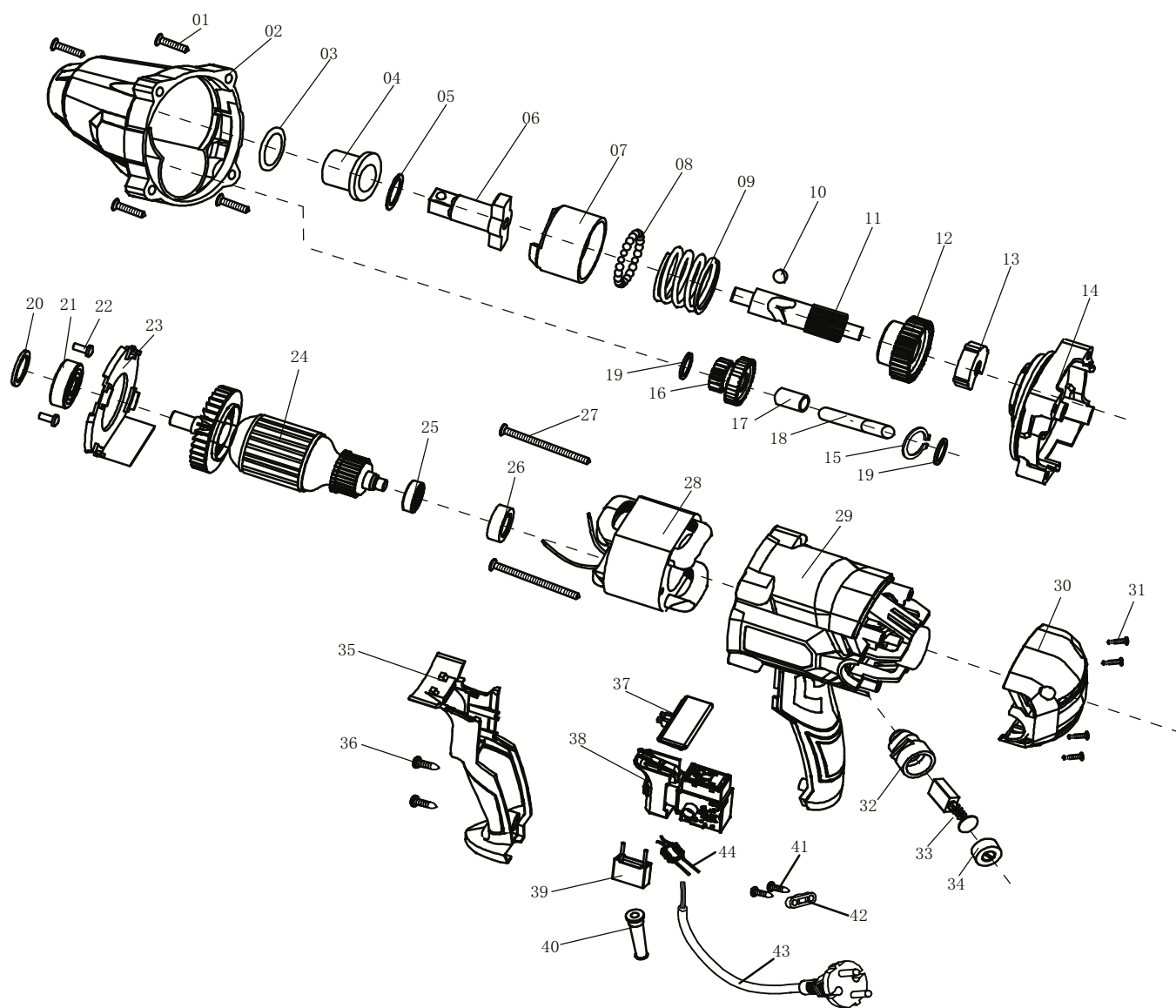
Если в течении гарантийного срока в Вашем изделии тем не менее обнаружатся указанные дефекты, специализированные сервисные центры P.I.T. бесплатно отремонтируют изделие и заменят дефектные запасные части.

Гарантийный срок на электроинструменты P.I.T. составляет 12 месяцев со дня продажи.

«С условиями гарантийного обслуживания ознакомлен(а). Работоспособность и комплектность изделия проверены в моем присутствии. Претензий к качеству и внешнему виду не имею».

Подпись покупателя _____ Фамилия(разборчиво) _____

Телефон _____



P.I.T. WARRANTY CARD

Name _____
 Serial number _____
 The date of sale 20____
 The date of receipt of the repair 20____



Name _____
 Serial number _____
 Date of sale "" _____
 (Filled by seller)

Seal is here

WARRANTY REPAIR CARD

date of acceptance for repair ____20_____
 Application for repair _____
 Customer _____
 Telephone (address) _____
 The reason for petition _____
 Tool checked in my presence _____
 (The order is filled in the service center) (signature)

Seal is here

Name _____
 Serial number _____
 The date of sale 20____
 The date of receipt of the repair 20____



Name _____
 Serial number _____
 Date of sale "" _____
 (Filled by seller)

Seal is here

WARRANTY REPAIR CARD

date of acceptance for repair ____20_____
 Application for repair _____
 Customer _____
 Telephone (address) _____
 The reason for petition _____
 Tool checked in my presence _____
 (The order is filled in the service center) (signature)

Seal is here

Name _____
 Serial number _____
 The date of sale 20____
 The date of receipt of the repair 20____



Name _____
 Serial number _____
 Date of sale "" _____
 (Filled by seller)




Seal is here

WARRANTY REPAIR CARD

date of acceptance for repair ____20_____
 Application for repair _____
 Customer _____
 Telephone (address) _____
 The reason for petition _____
 Tool checked in my presence _____
 (The order is filled in the service center) (signature)

Seal is here

ГАРАНТИЙНЫЙ ТАЛОН P.I.T.

| | |
|---|--|
| Наименование _____ Серийный номер _____ Дата продажи «__» _____ 20__ г. Дата получения из ремонта «__» _____ 20__ г. | <div style="text-align: center; background-color: black; color: white; padding: 5px;">  P.I.T. </div> Наименование _____ Серийный номер _____ Дата продажи «__» _____ 20__ г. (Заполняется продавцом) <p style="text-align: right;">М.П.</p> <hr/> КАРТА ГАРАНТИЙНОГО РЕМОНТА __ Дата приема в ремонт __ _____ 20__ г. Заявка на ремонт _____ Заказчик _____ Телефон(адрес) _____ Причина обращения _____ Дата получения из ремонта __ _____ 20__ г. Инструмент проверен в моем присутствии _____ (Заказ заполняется в сервисном центре) (подпись) <p style="text-align: right;">М.П.</p> |
| Наименование _____ Серийный номер _____ Дата продажи «__» _____ 20__ г. Дата получения из ремонта «__» _____ 20__ г. | <div style="text-align: center; background-color: black; color: white; padding: 5px;">  P.I.T. </div> Наименование _____ Серийный номер _____ Дата продажи «__» _____ 20__ г. (Заполняется продавцом) <p style="text-align: right;">М.П.</p> <hr/> КАРТА ГАРАНТИЙНОГО РЕМОНТА __ Дата приема в ремонт __ _____ 20__ г. Заявка на ремонт _____ Заказчик _____ Телефон(адрес) _____ Причина обращения _____ Дата получения из ремонта __ _____ 20__ г. Инструмент проверен в моем присутствии _____ (Заказ заполняется в сервисном центре) (подпись) <p style="text-align: right;">М.П.</p> |
| Наименование _____ Серийный номер _____ Дата продажи «__» _____ 20__ г. Дата получения из ремонта «__» _____ 20__ г. | <div style="text-align: center; background-color: black; color: white; padding: 5px;">  P.I.T. </div> Наименование _____ Серийный номер _____ Дата продажи «__» _____ 20__ г. (Заполняется продавцом) <p style="text-align: right;">М.П.</p> <hr/> КАРТА ГАРАНТИЙНОГО РЕМОНТА __ Дата приема в ремонт __ _____ 20__ г. Заявка на ремонт _____ Заказчик _____ Телефон(адрес) _____ Причина обращения _____ Дата получения из ремонта __ _____ 20__ г. Инструмент проверен в моем присутствии _____ (Заказ заполняется в сервисном центре) (подпись) <p style="text-align: right;">М.П.</p> |



Поставщик: Китай Xinjiang Longbo Industrial Co., Ltd.

Адрес производства: Rm. 602, 6th Floor, No. 531, Weixing Road, Economic And Technological Development Zone, Urumqi, Xinjiang, China

Уполномоченный представитель: ООО "Турбо-Тулс"

Юридический адрес: 117246, г. Москва, ул. Херсонская, 43

Сделано в КНР/Made in China

