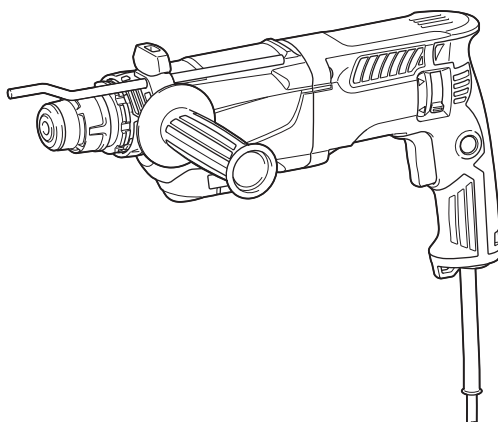
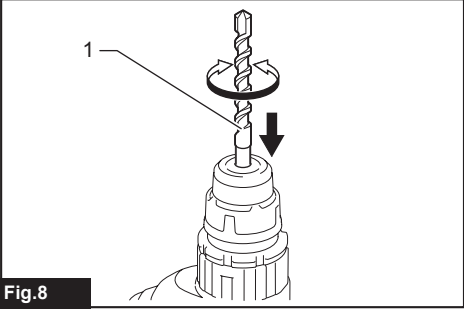
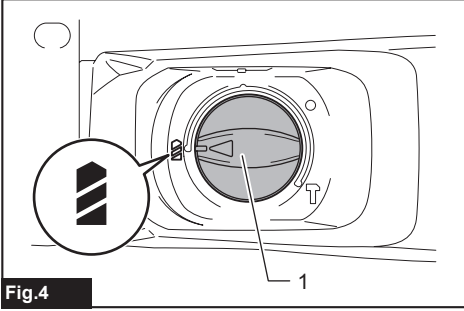
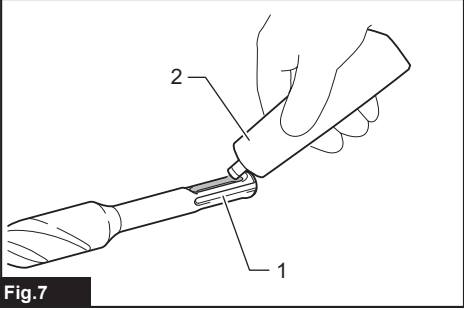
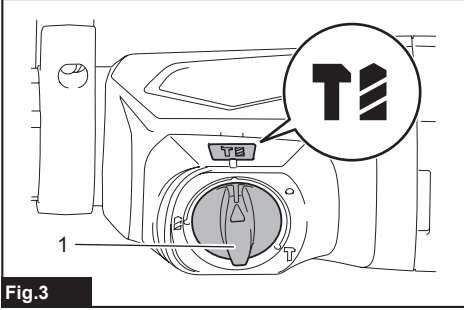
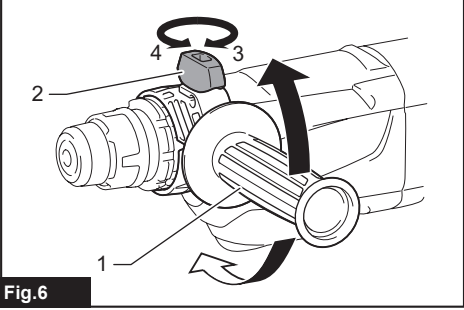
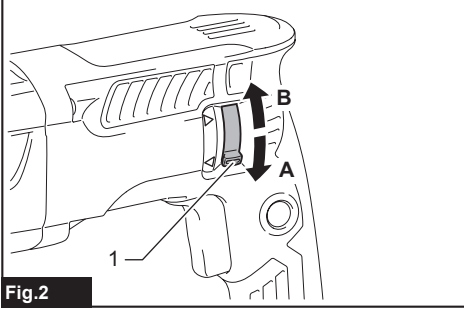
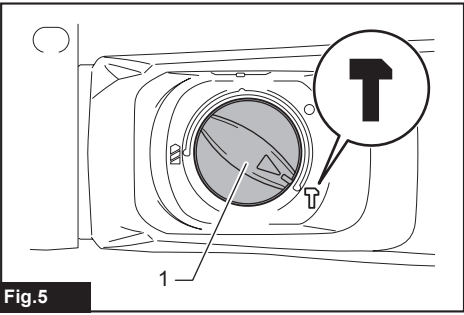
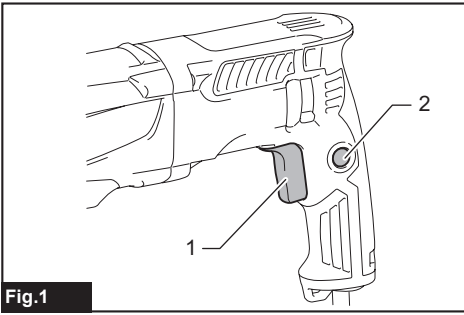




EN	Combination Hammer	INSTRUCTION MANUAL	4
RU	Трёхрежимный перфоратор	РУКОВОДСТВО ПО ЭКСПЛУАТАЦИИ	9
KK	Үш тәртiптi перфоратор	ПАЙДАЛАНУ ЖӨНIНДЕГI НҰСҚАУЛЫҚ	16

M8701





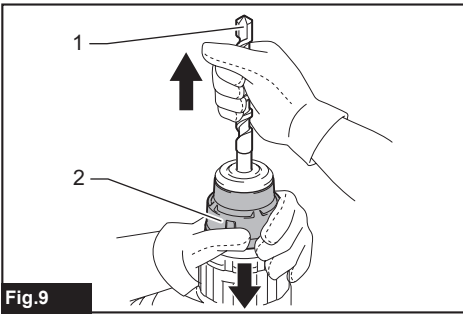


Fig.9

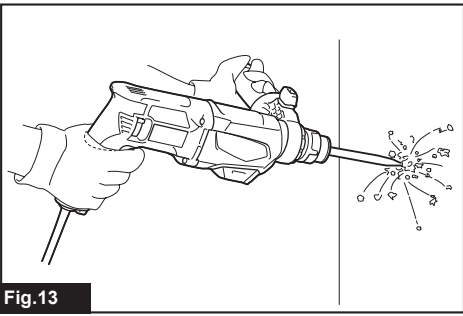


Fig.13

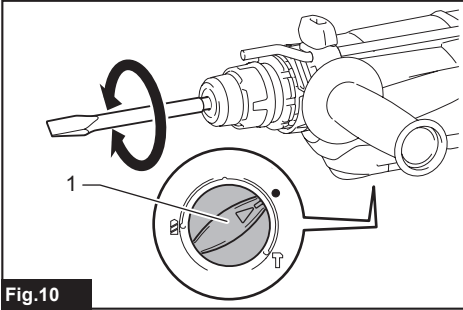


Fig.10

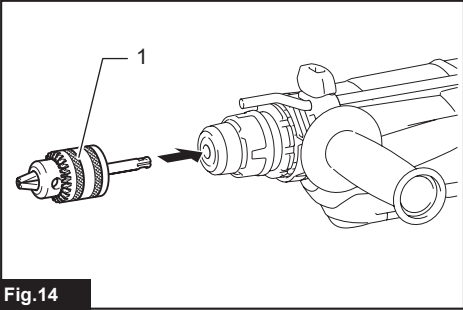


Fig.14

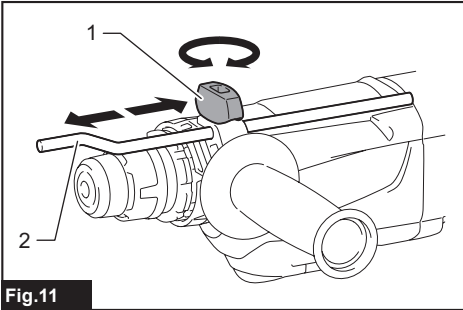


Fig.11

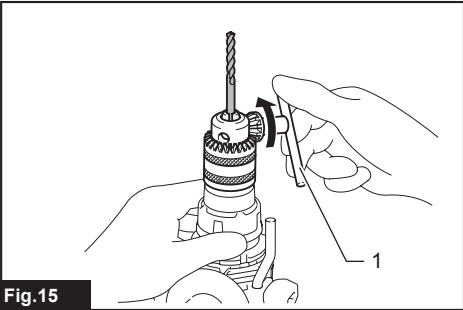


Fig.15

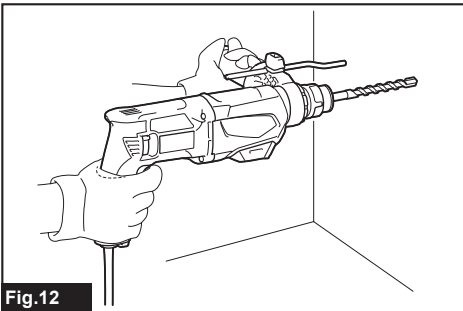


Fig.12

SPECIFICATIONS

Model:		M8701
Drilling capacities	Concrete	26 mm
	Core bit	68 mm
	Diamond core bit (dry type)	80 mm
	Steel	13 mm
	Wood	32 mm
No load speed		0 - 1,200 min ⁻¹
Blows per minute		0 - 4,500 min ⁻¹
Overall length		362 mm
Net weight		2.7 kg
Safety class		□/II

- Due to our continuing program of research and development, the specifications herein are subject to change without notice.
- Specifications may differ from country to country.
- Weight according to EPTA-Procedure 01/2003

Symbols

The followings show the symbols used for the equipment. Be sure that you understand their meaning before use.



Read instruction manual.



DOUBLE INSULATION



Only for EU countries
Do not dispose of electric equipment together with household waste material! In observance of the European Directive, on Waste Electric and Electronic Equipment and its implementation in accordance with national law, electric equipment that have reached the end of their life must be collected separately and returned to an environmentally compatible recycling facility.

Intended use

The tool is intended for hammer drilling and drilling in brick, concrete and stone as well as for chiselling work. It is also suitable for drilling without impact in wood, metal, ceramic and plastic.

Power supply

The tool should be connected only to a power supply of the same voltage as indicated on the nameplate, and can only be operated on single-phase AC supply. They are double-insulated and can, therefore, also be used from sockets without earth wire.

Noise

The typical A-weighted noise level determined according to EN60745:

Sound pressure level (L_{pA}) : 90 dB(A)

Sound power level (L_{WA}) : 101 dB (A)

Uncertainty (K) : 3 dB(A)

⚠ WARNING: Wear ear protection.

Vibration

The vibration total value (tri-axial vector sum) determined according to EN60745:

Work mode: hammer drilling into concrete

Vibration emission ($a_{h, HD}$): 16.5 m/s²

Uncertainty (K) : 1.5 m/s²

Work mode: chiselling function with side grip

Vibration emission ($a_{h, Chgq}$): 9.0 m/s²

Uncertainty (K) : 1.5 m/s²

Work mode: drilling into metal

Vibration emission ($a_{h, D}$): 2.5 m/s² or less

Uncertainty (K) : 1.5 m/s²

NOTE: The declared vibration total value(s) has been measured in accordance with a standard test method and may be used for comparing one tool with another.

NOTE: The declared vibration total value(s) may also be used in a preliminary assessment of exposure.

⚠ WARNING: The vibration emission during actual use of the power tool can differ from the declared value(s) depending on the ways in which the tool is used especially what kind of workpiece is processed.

⚠ WARNING: Be sure to identify safety measures to protect the operator that are based on an estimation of exposure in the actual conditions of use (taking account of all parts of the operating cycle such as the times when the tool is switched off and when it is running idle in addition to the trigger time).

EC Declaration of Conformity

For European countries only

The EC declaration of conformity is included as Annex A to this instruction manual.

SAFETY WARNINGS

General power tool safety warnings

⚠ WARNING: Read all safety warnings and all instructions. Failure to follow the warnings and instructions may result in electric shock, fire and/or serious injury.

Save all warnings and instructions for future reference.

The term "power tool" in the warnings refers to your mains-operated (corded) power tool or battery-operated (cordless) power tool.

Work area safety

1. **Keep work area clean and well lit.** Cluttered or dark areas invite accidents.
2. **Do not operate power tools in explosive atmospheres, such as in the presence of flammable liquids, gases or dust.** Power tools create sparks which may ignite the dust or fumes.
3. **Keep children and bystanders away while operating a power tool.** Distractions can cause you to lose control.

Electrical Safety

1. **Power tool plugs must match the outlet. Never modify the plug in any way. Do not use any adapter plugs with earthed (grounded) power tools.** Unmodified plugs and matching outlets will reduce risk of electric shock.
2. **Avoid body contact with earthed or grounded surfaces, such as pipes, radiators, ranges and refrigerators.** There is an increased risk of electric shock if your body is earthed or grounded.
3. **Do not expose power tools to rain or wet conditions.** Water entering a power tool will increase the risk of electric shock.
4. **Do not abuse the cord. Never use the cord for carrying, pulling or unplugging the power tool. Keep cord away from heat, oil, sharp edges or moving parts.** Damaged or entangled cords increase the risk of electric shock.
5. **When operating a power tool outdoors, use an extension cord suitable for outdoor use.** Use of a cord suitable for outdoor use reduces the risk of electric shock.
6. **If operating a power tool in a damp location is unavoidable, use a residual current device (RCD) protected supply.** Use of an RCD reduces the risk of electric shock.
7. **Use of power supply via an RCD with a rated residual current of 30 mA or less is always recommended.**

Personal Safety

1. **Stay alert, watch what you are doing and use common sense when operating a power tool. Do not use a power tool while you are tired or under the influence of drugs, alcohol or medication.** A moment of inattention while operating power tools may result in serious personal injury.
2. **Use personal protective equipment. Always wear eye protection.** Protective equipment such as a dust mask, non-skid safety shoes, hard hat or hearing protection used for appropriate conditions will reduce personal injuries.
3. **Prevent unintentional starting. Ensure the switch is in the off-position before connecting to power source and/or battery pack, picking up or carrying the tool.** Carrying power tools with your finger on the switch or energising power tools that have the switch on invites accidents.
4. **Remove any adjusting key or wrench before turning the power tool on.** A wrench or a key left attached to a rotating part of the power tool may result in personal injury.
5. **Do not overreach. Keep proper footing and balance at all times.** This enables better control of the power tool in unexpected situations.
6. **Dress properly. Do not wear loose clothing or jewellery. Keep your hair, clothing, and gloves away from moving parts.** Loose clothes, jewellery or long hair can be caught in moving parts.
7. **If devices are provided for the connection of dust extraction and collection facilities, ensure these are connected and properly used.** Use of dust collection can reduce dust-related hazards.

Power tool use and care

1. **Do not force the power tool. Use the correct power tool for your application.** The correct power tool will do the job better and safer at the rate for which it was designed.
2. **Do not use the power tool if the switch does not turn it on and off.** Any power tool that cannot be controlled with the switch is dangerous and must be repaired.
3. **Disconnect the plug from the power source and/or the battery pack from the power tool before making any adjustments, changing accessories, or storing power tools.** Such preventive safety measures reduce the risk of starting the power tool accidentally.
4. **Store idle power tools out of the reach of children and do not allow persons unfamiliar with the power tool or these instructions to operate the power tool.** Power tools are dangerous in the hands of untrained users.
5. **Maintain power tools. Check for misalignment or binding of moving parts, breakage of parts and any other condition that may affect the power tool's operation. If damaged, have the power tool repaired before use.** Many accidents are caused by poorly maintained power tools.
6. **Keep cutting tools sharp and clean.** Properly maintained cutting tools with sharp cutting edges are less likely to bind and are easier to control.
7. **Use the power tool, accessories and tool bits etc. in accordance with these instructions, taking into account the working conditions and the work to be performed.** Use of the power tool for operations different from those intended could result in a hazardous situation.

Service

1. Have your power tool serviced by a qualified repair person using only identical replacement parts. This will ensure that the safety of the power tool is maintained.
2. Follow instruction for lubricating and changing accessories.
3. Keep handles dry, clean and free from oil and grease.

ROTARY HAMMER SAFETY WARNINGS

1. Wear ear protectors. Exposure to noise can cause hearing loss.
2. Use auxiliary handle(s), if supplied with the tool. Loss of control can cause personal injury.
3. Hold power tool by insulated gripping surfaces, when performing an operation where the cutting accessory may contact hidden wiring or its own cord. Cutting accessory contacting a "live" wire may make exposed metal parts of the power tool "live" and could give the operator an electric shock.
4. Wear a hard hat (safety helmet), safety glasses and/or face shield. Ordinary eye or sun glasses are NOT safety glasses. It is also highly recommended that you wear a dust mask and thickly padded gloves.
5. Be sure the bit is secured in place before operation.
6. Under normal operation, the tool is designed to produce vibration. The screws can come loose easily, causing a breakdown or accident. Check tightness of screws carefully before operation.
7. In cold weather or when the tool has not been used for a long time, let the tool warm up for a while by operating it under no load. This will loosen up the lubrication. Without proper warm-up, hammering operation is difficult.
8. Always be sure you have a firm footing. Be sure no one is below when using the tool in high locations.
9. Hold the tool firmly with both hands.
10. Keep hands away from moving parts.
11. Do not leave the tool running. Operate the tool only when hand-held.
12. Do not point the tool at any one in the area when operating. The bit could fly out and injure someone seriously.
13. Do not touch the bit, parts close to the bit, or workpiece immediately after operation; they may be extremely hot and could burn your skin.
14. Some material contains chemicals which may be toxic. Take caution to prevent dust inhalation and skin contact. Follow material supplier safety data.
15. Do not touch the power plug with wet hands.

SAVE THESE INSTRUCTIONS.

⚠ WARNING: DO NOT let comfort or familiarity with product (gained from repeated use) replace strict adherence to safety rules for the subject product. MISUSE or failure to follow the safety rules stated in this instruction manual may cause serious personal injury.

FUNCTIONAL DESCRIPTION

⚠ CAUTION: Always be sure that the tool is switched off and unplugged before adjusting or checking function on the tool.

Switch action

⚠ CAUTION: Before plugging in the tool, always check to see that the switch trigger actuates properly and returns to the "OFF" position when released.

⚠ CAUTION: Switch can be locked in "ON" position for ease of operator comfort during extended use. Apply caution when locking tool in "ON" position and maintain firm grasp on tool.

► Fig.1: 1. Switch trigger 2. Lock button

To start the tool, simply pull the switch trigger. Tool speed is increased by increasing pressure on the switch trigger. Release the switch trigger to stop.

For continuous operation, pull the switch trigger, push in the lock button and then release the switch trigger. To stop the tool from the locked position, pull the switch trigger fully, then release it.

Reversing switch action

⚠ CAUTION: Always check the direction of rotation before operation.

NOTICE: Use the reversing switch only after the tool comes to a complete stop. Changing the direction of rotation before the tool stops may damage the tool.

NOTICE: When changing the direction of rotation, be sure to fully set the reversing switch to position ◁ (A side) or ▷ (B side). Otherwise, when the switch trigger is pulled, the motor may not rotate or the tool may not work properly.

► Fig.2: 1. Reversing switch lever


This tool has a reversing switch to change the direction of rotation. Move the reversing switch lever to the position ◁ (A side) for clockwise rotation or to the position ▷ (B side) for counterclockwise rotation.

Selecting the action mode

NOTICE: Do not rotate the action mode changing knob when the tool is running. The tool will be damaged.

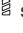
NOTICE: To avoid rapid wear on the mode change mechanism, be sure that the action mode changing knob is always positively located in one of the three action mode positions.

Rotation with hammering

For drilling in concrete, masonry, etc., rotate the action mode changing knob to the  symbol. Use a tungsten-carbide tipped bit (optional accessory).


► **Fig.3:** 1. Action mode changing knob

Rotation only

For drilling in wood, metal or plastic materials, rotate the action mode changing knob to the  symbol. Use a twist drill bit or wood drill bit.

► **Fig.4:** 1. Action mode changing knob

Hammering only

For chipping, scaling or demolition operations, rotate the action mode changing knob to the  symbol. Use a bull point, cold chisel, scaling chisel, etc.

► **Fig.5:** 1. Action mode changing knob

Torque limiter

NOTICE: As soon as the torque limiter actuates, switch off the tool immediately. This will help prevent premature wear of the tool.

NOTICE: Drill bits such as hole saw, which tend to pinch or catch easily in the hole, are not appropriate for this tool. This is because they will cause the torque limiter to actuate too frequently.

The torque limiter will actuate when a certain torque level is reached. The motor will disengage from the output shaft. When this happens, the drill bit will stop turning.

ASSEMBLY

CAUTION: Always be sure that the tool is switched off and unplugged before carrying out any work on the tool.

Side grip (auxiliary handle)

CAUTION: Always use the side grip to ensure safe operation.

CAUTION: After installing or adjusting the side grip, make sure that the side grip is firmly secured.

Install the side grip so that the protrusions on the grip fit in between the grooves on the tool barrel. Then tighten the thumb screw clockwise to fix the grip at the desired position.

The side grip can be swung 360° so as to be secured at any position.

► **Fig.6:** 1. Side grip 2. Thumb screw 3. Tighten 4. Loosen

Grease

Coat the shank end of the drill bit/chisel beforehand with a small amount of grease (about 0.5 - 1 g).

This chuck lubrication assures smooth action and longer service life.

Installing or removing drill bit/chisel

Clean the shank end of the drill bit/chisel and apply grease before installing the drill bit/chisel.

► **Fig.7:** 1. Shank end of the drill bit/chisel 2. Grease

Insert the drill bit/chisel into the tool. Turn the drill bit/chisel and push it in until it engages.

After installing the drill bit/chisel, always make sure that the drill bit/chisel is securely held in place by trying to pull it out.

► **Fig.8:** 1. Drill bit/chisel


To remove the drill bit/chisel, pull the chuck cover down all the way and pull the drill bit/chisel out.

► **Fig.9:** 1. Drill bit/chisel 2. Chuck cover

Chisel angle (when chipping, scaling or demolishing)

The chisel can be secured at the desired angle. To change the chisel angle, rotate the action mode changing knob to the O symbol. Turn the chisel to the desired angle.

► **Fig.10:** 1. Action mode changing knob

Rotate the action mode changing knob to the  symbol. Then make sure that the chisel is securely held in place by turning it slightly.

Depth gauge

The depth gauge is convenient for drilling holes of uniform depth. Loosen the thumb screw and adjust the depth gauge to the desired depth. After adjusting, tighten the thumb screw firmly.

► **Fig.11:** 1. Thumb screw 2. Depth gauge

NOTE: The depth gauge cannot be used at the position where the depth gauge touches against the gear housing/motor housing.

OPERATION


CAUTION: Always use the side grip (auxiliary handle) and firmly hold the tool by both side grip and switch handle during operations.

CAUTION: Always make sure that the workpiece is secured before operation.

► Fig.12

Hammer drilling operation

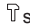
CAUTION: There is tremendous and sudden twisting force exerted on the tool/drill bit at the time of hole break-through, when the hole becomes clogged with chips and particles, or when striking reinforcing rods embedded in the concrete. **Always use the side grip (auxiliary handle) and firmly hold the tool by both side grip and switch handle during operations.** Failure to do so may result in the loss of control of the tool and potentially severe injury.

Set the action mode changing knob to the  symbol. Position the drill bit at the desired location for the hole, then pull the switch trigger. Do not force the tool. Light pressure gives best results. Keep the tool in position and prevent it from slipping away from the hole.

Do not apply more pressure when the hole becomes clogged with chips or particles. Instead, run the tool at an idle, then remove the drill bit partially from the hole. By repeating this several times, the hole will be cleaned out and normal drilling may be resumed.

NOTE: Eccentricity in the drill bit rotation may occur while operating the tool with no load. The tool automatically centers itself during operation. This does not affect the drilling precision.

Chipping/Scaling/Demolition

Set the action mode changing knob to the  symbol. Hold the tool firmly with both hands. Turn the tool on and apply slight pressure on the tool so that the tool will not bounce around, uncontrolled.

Pressing very hard on the tool will not increase the efficiency.

► Fig.13

Drilling in wood or metal

CAUTION: Hold the tool firmly and exert care when the drill bit begins to break through the workpiece. There is a tremendous force exerted on the tool/drill bit at the time of hole break through.


CAUTION: A stuck drill bit can be removed simply by setting the reversing switch to reverse rotation in order to back out. However, the tool may back out abruptly if you do not hold it firmly.

CAUTION: Always secure workpieces in a vise or similar hold-down device.

NOTICE: Never use "rotation with hammering" when the drill chuck is installed on the tool. The drill chuck may be damaged.

Also, the drill chuck will come off when reversing the tool.

NOTICE: Pressing excessively on the tool will not speed up the drilling. In fact, this excessive pressure will only serve to damage the tip of your drill bit, decrease the tool performance and shorten the service life of the tool.

Set the action mode changing knob to the  symbol. You can drill up to 13 mm (1/2") diameter in metal and up to 32 mm (1-1/4") diameter in wood.

Use a drill chuck assembly (optional accessory). When installing it, refer to the section "Installing or removing drill bit/chisel".

► Fig.14: 1. Drill chuck assembly (optional accessory)


To install the drill bit, place it in the chuck as far as it will go. Tighten the chuck by hand. Place the chuck key in each of the three holes and tighten clockwise. Be sure to tighten all three chuck holes evenly.

To remove the drill bit, turn the chuck key counterclockwise in just one hole, then loosen the chuck by hand.

► Fig.15: 1. Chuck key

Diamond core drilling

NOTICE: If performing diamond core drilling operations using "rotation with hammering" action, the diamond core bit may be damaged.

When performing diamond core drilling operations, always set the change lever to the  position to use "rotation only" action.

MAINTENANCE

CAUTION: Always be sure that the tool is switched off and unplugged before attempting to perform inspection or maintenance.

NOTICE: Never use gasoline, benzine, thinner, alcohol or the like. Discoloration, deformation or cracks may result.

To maintain product SAFETY and RELIABILITY, repairs, carbon brush inspection and replacement, any other maintenance or adjustment should be performed by Makita Authorized or Factory Service Centers, always using Makita replacement parts.

ТЕХНИЧЕСКИЕ ХАРАКТЕРИСТИКИ

Модель:		M8701
Максимальный диаметр сверления	Бетон	26 мм
	Колонковое долото	68 мм
	Колонковое алмазное долото (сухого типа)	80 мм
	Сталь	13 мм
	Дерево	32 мм
Число оборотов без нагрузки		0 - 1 200 мин ⁻¹
Ударов в минуту		0 - 4 500 мин ⁻¹
Общая длина		362 мм
Масса нетто		2,7 кг
Класс безопасности		□/II

- Благодаря нашей постоянно действующей программе исследований и разработок указанные здесь технические характеристики могут быть изменены без предварительного уведомления.
- Технические характеристики могут различаться в зависимости от страны.
- Масса в соответствии с процедурой EPTA 01/2003

Символы

Ниже приведены символы, используемые для обозначения. Перед использованием убедитесь, что вы понимаете их значение.



Прочитайте руководство по эксплуатации.



ДВОЙНАЯ ИЗОЛЯЦИЯ



Только для стран ЕС
Не выбрасывайте электрическое оборудование вместе с обычным мусором! В рамках соблюдения Европейской Директивы по утилизации электрического и электронного оборудования и ее применения в соответствии с национальным законодательством, электрооборудование в конце срока своей службы должно утилизироваться отдельно и передаваться для утилизации на предприятие, соответствующее применяемым правилам охраны окружающей среды.

Назначение

Данный инструмент предназначен для ударного сверления и сверления кирпича, бетона и камня, а также для обработки зубилом. Он также подходит для безударного сверления дерева, металла, керамики и пластмассы.

Источник питания

Данный инструмент должен подключаться к источнику питания с напряжением, соответствующим напряжению, указанному на идентификационной пластине, и может работать только от однофазного источника переменного тока. Он имеет двойную изоляцию и поэтому может подключаться к розеткам без заземления.

Шум

Типичный уровень взвешенного звукового давления (A), измеренный в соответствии с EN60745:
Уровень звукового давления (L_{РА}): 90 дБ (A)
Уровень звуковой мощности (L_{WA}): 101 дБ (A)
Погрешность (K): 3 дБ (A)

⚠ОСТОРОЖНО: Используйте средства защиты слуха.

Вибрация

Суммарное значение вибрации (сумма векторов по трем осям), определенное в соответствии с EN60745:

Рабочий режим: ударное сверление бетона
Распространение вибрации (a_{n, HD}): 16,5 м/с²
Погрешность (K): 1,5 м/с²

Рабочий режим: обработка зубилом с использованием боковой рукоятки
Распространение вибрации (a_{n, Ched}): 9,0 м/с²
Погрешность (K): 1,5 м/с²

Рабочий режим: сверление металла
Распространение вибрации (a_{n, D}): 2,5 м/с² или менее
Погрешность (K): 1,5 м/с²

ПРИМЕЧАНИЕ: Заявленное общее значение распространения вибрации измерено в соответствии со стандартной методикой испытаний и может быть использовано для сравнения инструментов.

ПРИМЕЧАНИЕ: Заявленное общее значение распространения вибрации можно также использовать для предварительных оценок воздействия.

⚠ОСТОРОЖНО: Распространение вибрации во время фактического использования электроинструмента может отличаться от заявленного значения в зависимости от способа применения инструмента и в особенности от типа обрабатываемой детали.

⚠ОСТОРОЖНО: Обязательно определите меры безопасности для защиты оператора, основанные на оценке воздействия в реальных условиях использования (с учетом всех этапов рабочего цикла, таких как выключение инструмента, работа без нагрузки и включение).

Декларация о соответствии ЕС

Только для европейских стран

Декларация о соответствии ЕС включена в руководство по эксплуатации (Приложение А).

МЕРЫ БЕЗОПАСНОСТИ

Общие рекомендации по технике безопасности для электроинструментов

⚠ОСТОРОЖНО: Ознакомьтесь со всеми инструкциями и рекомендациями по технике безопасности. Невыполнение инструкций и рекомендаций может привести к поражению электротоком, пожару и/или тяжелым травмам.

Сохраните брошюру с инструкциями и рекомендациями для дальнейшего использования.

Термин "электроинструмент" в предупреждениях относится ко всему инструменту, работающему от сети (с проводом) или на аккумуляторах (без провода).

Безопасность в месте выполнения работ

1. **Рабочее место должно быть чистым и хорошо освещенным.** Захламление и плохое освещение могут стать причиной несчастных случаев.
2. **Не пользуйтесь электроинструментом во взрывоопасной атмосфере, например в присутствии легко воспламеняющихся жидкостей, газов или пыли.** При работе электроинструмента возникают искры, которые могут привести к воспламенению пыли или газов.
3. **При работе с электроинструментом не допускайте детей или посторонних к месту выполнения работ.** Не отвлекайтесь во время работы, так как это приведет к потере контроля над электроинструментом.

Электробезопасность

1. **Вилка электроинструмента должна соответствовать сетевой розетке.** Запрещается вносить какие-либо изменения в конструкцию вилки. Для электроинструмента с заземленным запрещается использовать переходники. Розетки и вилки, не подвергавшиеся изменениям, снижают риск поражения электрическим током.
2. **Избегайте контакта участков тела с заземленными поверхностями, такими как трубы, радиаторы, батареи отопления и холодильники.** При контакте тела с заземленными предметами увеличивается риск поражения электрическим током.
3. **Не подвергайте электроинструмент воздействию дождя или влаги.** Попадание воды в электроинструмент повышает риск поражения электрическим током.
4. **Аккуратно обращайтесь со шнуром питания.** Запрещается использовать шнур питания для переноски, перемещения или извлечения вилки из розетки. Располагайте шнур на расстоянии от источников тепла, масла, острых краев и движущихся деталей. Поврежденные или запутанные сетевые шнуры увеличивают риск поражения электрическим током.
5. **При использовании электроинструмента вне помещения используйте удлинитель, подходящий для этих целей.** Использование соответствующего шнура снижает риск поражения электрическим током.
6. **Если электроинструмент приходится эксплуатировать в сыром месте, используйте линию электропитания, которая защищена устройством, срабатывающим от остаточного тока (RCD).** Использование RCD снижает риск поражения электротоком.
7. **Рекомендуется использовать питание через RCD с номинальным остаточным током 30 мА или менее.**

Личная безопасность

1. **При использовании электроинструмента будьте бдительны, следите за тем, что вы делаете, и руководствуйтесь здравым смыслом. Не пользуйтесь электроинструментом, если вы устали, находитесь под воздействием наркотиков, алкоголя или лекарственных препаратов.** Даже мгновенная невнимательность при использовании электроинструмента может привести к серьезной травме.
2. **Используйте индивидуальные средства защиты. Всегда надевайте защитные очки.** Такие средства индивидуальной защиты, как маска от пыли, защитная нескользящая обувь, каска или наушники, используемые в соответствующих условиях, позволяют снизить риск получения травмы.
3. **Не допускайте случайного запуска. Прежде чем подсоединять инструмент к источнику питания и/или аккумуляторной батарее, поднимать или переносить инструмент, убедитесь, что переключатель находится в выключенном положении.** Переноска электроинструмента с пальцем на выключателе или подача питания на инструмент с включенным выключателем может привести к несчастному случаю.

4. **Перед включением электроинструмента снимите с него все регулировочные инструменты и гаечные ключи.** Гаечный или регулировочный ключ, оставшийся закрепленным на вращающейся детали, может привести к травме.
5. **При эксплуатации устройства не тянитесь. Всегда сохраняйте устойчивое положение и равновесие.** Это позволит лучше управлять электроинструментом в непредвиденных ситуациях.
6. **Одевайтесь соответствующим образом. Не надевайте свободную одежду или украшения.** Ваши волосы, одежда и перчатки должны всегда находиться на расстоянии от движущихся деталей. Свободная одежда, украшения или длинные волосы могут попасть в движущиеся детали устройства.
7. **Если электроинструмент оборудован системой удаления и сбора пыли, убедитесь, что она подключена и используется соответствующим образом.** Использование пылесборника снижает вероятность возникновения рисков, связанных с пылью.

Эксплуатация и обслуживание электроинструмента

1. **Не прилагайте излишних усилий к электроинструменту. Используйте инструмент, соответствующий выполняемой вами работе.** Правильно подобранный электроинструмент позволит выполнить работу лучше и безопаснее с производительностью, на которую он рассчитан.
2. **Не пользуйтесь электроинструментом с неисправным выключателем.** Любой электроинструмент с неисправным выключателем опасен и должен быть отремонтирован.
3. **Перед выполнением регулировок, сменой принадлежностей или хранением электроинструмента всегда отключайте его от источника питания и/или от аккумулятора.** Такие превентивные меры предосторожности снижают риск случайного включения электроинструмента.
4. **Храните электроинструменты в местах, недоступных для детей, и не позволяйте лицам, не знакомым с работой такого инструмента или не прочитавшим данные инструкции, пользоваться им.** Электроинструмент опасен в руках неопытных пользователей.
5. **Содержите инструмент в порядке. Убедитесь в соосности, отсутствии деформаций движущихся узлов, поломок каких-либо деталей или других дефектов, которые могут повлиять на работу электроинструмента. Если инструмент поврежден, отремонтируйте его перед использованием.** Большое число несчастных случаев происходит из-за плохого ухода за электроинструментом.
6. **Режущий инструмент всегда должен быть острым и чистым.** Соответствующее обращение с режущим инструментом, имеющим острые режущие кромки, делает его менее подверженным деформациям, что позволяет лучше управлять им.

7. **Используйте электроинструмент, принадлежности, приспособления и насадки в соответствии с данными инструкциями и в целях, для которых он предназначен, учитывая при этом условия и вид выполняемой работы.** Использование электроинструмента не по назначению может привести к возникновению опасной ситуации.

Сервисное обслуживание

1. **Сервисное обслуживание электроинструмента должно проводиться только квалифицированным специалистом по ремонту и только с использованием идентичных запасных частей.** Это позволит обеспечить безопасность электроинструмента.
2. **Следуйте инструкциям по смазке и замене принадлежностей.**
3. **Ручки инструмента всегда должны быть сухими и чистыми и не должны быть испачканы маслом или смазкой.**

ПРАВИЛА ТЕХНИКИ БЕЗОПАСНОСТИ ПРИ ОБРАЩЕНИИ С ПЕРФОРАТОРОМ

1. **Обязательно используйте средства защиты слуха.** Воздействие шума может привести к потере слуха.
2. **Используйте дополнительную ручку (если входит в комплект инструмента).** Утрата контроля над инструментом может привести к травме.
3. **Если при выполнении работ существует риск контакта режущего инструмента со скрытой электропроводкой или собственным шнуром питания, держите электроинструмент за специально предназначенные изолированные поверхности.** Контакт с проводом под напряжением может стать причиной поражения оператора током.
4. **Надевайте защитную каску (защитный шлем), защитные очки и/или защитную маску для лица.** Обычные или солнцезащитные очки **НЕ ЯВЛЯЮТСЯ** защитными очками. Также настоятельно рекомендуется надевать противопылевой респиратор и перчатки с толстыми подкладками.
5. **Перед выполнением работ убедитесь в надежном креплении головки сверла.**
6. **При нормальной эксплуатации инструмент может вибрировать.** Винты могут раскрутиться, что приведет к поломке или несчастному случаю. Перед эксплуатацией тщательно проверяйте затяжку винтов.
7. **В холодную погоду, или если инструмент не использовался в течение длительного периода времени, дайте инструменту немного прогреться, включив его без нагрузки.** Это размягчит смазку. Без надлежащего прогрева ударное действие будет затруднено.
8. **При выполнении работ всегда занимайте устойчивое положение.** При использовании инструмента на высоте убедитесь в отсутствии людей внизу.

9. Крепко держите инструмент обеими руками.
10. Руки должны находиться на расстоянии от движущихся деталей.
11. Не оставляйте работающий инструмент без присмотра. Включайте инструмент только тогда, когда он находится в руках.
12. При выполнении работ не направляйте инструмент на кого-либо, находящегося в месте выполнения работ. Головка сверла может выскочить и травмировать других людей.
13. Сразу после окончания работ не прикасайтесь к обрабатываемой детали, головке сверла или к деталям в непосредственной близости от нее. Головка сверла может быть очень горячей и обжечь кожу.
14. Некоторые материалы могут содержать токсичные химические вещества. Примите соответствующие меры предосторожности, чтобы избежать вдыхания или контакта с кожей таких веществ. Соблюдайте требования, указанные в паспорте безопасности материала.
15. Не прикасайтесь к разъему электропитания мокрыми руками.

СОХРАНИТЕ ДАННЫЕ ИНСТРУКЦИИ.

⚠ОСТОРОЖНО: НЕ ДОПУСКАЙТЕ, чтобы удобство или опыт эксплуатации данного устройства (полученный от многократного использования) доминировали над строгим соблюдением правил техники безопасности при обращении с этим устройством. НЕПРАВИЛЬНОЕ ИСПОЛЬЗОВАНИЕ инструмента или несоблюдение правил техники безопасности, указанных в данном руководстве, может привести к тяжелой травме.

ОПИСАНИЕ РАБОТЫ

⚠ВНИМАНИЕ: Перед регулировкой или проверкой функций инструмента обязательно убедитесь, что он выключен и его вилка вынута из розетки.

Действие выключателя

⚠ВНИМАНИЕ: Перед включением инструмента в розетку обязательно убедитесь, что триггерный переключатель работает надлежащим образом и возвращается в положение "ВЫКЛ", если его отпустить.

⚠ВНИМАНИЕ: В случае продолжительной работы для удобства оператора переключатель можно зафиксировать в положении "ВКЛ.". Соблюдайте осторожность при фиксации инструмента в положении "ВКЛ." и крепко удерживайте инструмент.

► **Рис.1:** 1. Триггерный переключатель 2. Кнопка разблокировки

Для запуска инструмента просто нажмите на триггерный переключатель. Для увеличения числа оборотов нажмите триггерный переключатель сильнее. Отпустите триггерный переключатель для остановки.

Для непрерывной работы инструмента нажмите на триггерный переключатель, нажмите кнопку блокировки и затем отпустите триггерный переключатель. Для остановки инструмента из заблокированного положения полностью нажмите триггерный переключатель, затем отпустите его.

Действие реверсивного переключателя

⚠ВНИМАНИЕ: Перед работой всегда проверяйте направление вращения.

ПРИМЕЧАНИЕ: Используйте реверсивный переключатель только после полной остановки инструмента. Изменение направления вращения до полной остановки инструмента может привести к его повреждению.

ПРИМЕЧАНИЕ: При смене направления вращения убедитесь, что реверсивный переключатель полностью переведен в положение ◀ (сторона А) или ▶ (сторона В). В противном случае, если триггерный переключатель нажат, вращение двигателя может отсутствовать или инструмент может работать ненадлежащим образом.

► **Рис.2:** 1. Рычаг реверсивного переключателя


Этот инструмент оборудован реверсивным переключателем для изменения направления вращения. Переместите рычаг реверсивного переключателя в положение ◀ (сторона А) для вращения по часовой стрелке или в положение ▶ (сторона В) для вращения против часовой стрелки.

Выбор режима действия

ПРИМЕЧАНИЕ: Не поворачивайте ручку изменения режима работы во время работы инструмента. Это приведет к поломке инструмента.


ПРИМЕЧАНИЕ: Во избежание быстрого износа механизма изменения режима следите за тем, чтобы ручка изменения режима работы всегда точно находилась в одном из трех положений режима действия.

Вращение с ударным действием

Для сверления бетона, кирпичной кладки и т.п. поверните ручку изменения режимов работы в положение . Используйте головку сверла с наконечником из карбида вольфрама (дополнительная принадлежность).


► **Рис.3:** 1. Ручка изменения режима работы

Только вращение

Для сверления дерева, металла или пластмасс поверните ручку изменения режимов работы в положение . Используйте спиральное сверло или сверло по дереву.

► **Рис.4:** 1. Ручка изменения режима работы

Только ударное действие

Для расщепления, скобления или разрушения конструкций поверните ручку переключения режимов работы в положение . Используйте пирамидальное долото, слесарное зубило, резец и т.п.

► **Рис.5:** 1. Ручка изменения режима работы

Ограничитель крутящего момента

ПРИМЕЧАНИЕ: При срабатывании ограничителя крутящего момента немедленно выключите инструмент. Это поможет предотвратить преждевременный износ инструмента.

ПРИМЕЧАНИЕ: Такие головки сверла, как кольцевая пила, которые могут быть легко защемлены в отверстиях, не подходят для данного инструмента. Такие насадки вызывают частое срабатывание ограничителя крутящего момента.

Ограничитель крутящего момента срабатывает при достижении определенного уровня крутящего момента. Электродвигатель отсоединится от выходного вала. Когда это произойдет, головка сверла перестанет вращаться.

СБОРКА

ВНИМАНИЕ: Перед проведением каких-либо работ с инструментом обязательно проверяйте, что инструмент выключен, а шнур питания вынут из розетки.

Боковая ручка (вспомогательная рукоятка)

ВНИМАНИЕ: Для обеспечения безопасности во время работ всегда используйте боковую ручку.

ВНИМАНИЕ: После установки или регулировки боковой ручки убедитесь в надежности ее крепления.

Установите боковую ручку так, чтобы выступы на ручке вошли в пазы на цилиндрической части инструмента. Затем затяните барашковый винт, чтобы зафиксировать ручку в нужном положении. Боковая ручка поворачивается на 360° для закрепления в любом положении.

► **Рис.6:** 1. Боковая ручка 2. Винт с накатанной головкой 3. Затянуть 4. Ослабить

Смазка

Смажьте хвостовик головки сверла/зубила заранее небольшим количеством смазки для головки сверла (примерно 0,5 - 1 г).

Такая смазка патрона обеспечивает равномерную работу и увеличивает срок службы.

Установка или снятие головки сверла/зубила

Перед установкой головки сверла/зубила очистите хвостовик и смажьте его.

► **Рис.7:** 1. Хвостовик головки сверла/зубила 2. Смазка

Вставьте головку сверла/зубило в инструмент. Поверните головку сверла/зубило и нажмите, чтобы зафиксировать.


После установки всегда проверяйте прочность закрепления головки сверла/зубила на месте, попытавшись вытянуть их.

► **Рис.8:** 1. Головка сверла/зубило


Чтобы удалить головку сверла/зубило, нажмите вниз на крышку патрона и вытащите головку сверла/зубило.

► **Рис.9:** 1. Головка сверла/зубило 2. Крышка патрона

Угол зубила (при расщеплении, скоблении или разрушении)

Зубило можно закрепить под нужным углом. Для изменения угла зубила поверните ручку переключения режимов работы в положение . Поверните зубило на необходимый угол.

► **Рис.10:** 1. Ручка изменения режима работы

Установите ручку переключения режимов в положение . Затем, слегка повернув зубило, убедитесь, что оно надежно закреплено.

Глубиномер

Глубиномер удобен для сверления отверстий одинаковой глубины. Ослабьте барашковый винт и отрегулируйте глубиномер на необходимую глубину. После окончания регулировки затяните барашковый винт.

- **Рис.11:** 1. Винт с накатанной головкой
2. Глубиномер

ПРИМЕЧАНИЕ: Глубиномер нельзя использовать в месте, где глубиномер касается корпуса редуктора/двигателя.

ЭКСПЛУАТАЦИЯ

ВНИМАНИЕ: Всегда пользуйтесь боковой ручкой (вспомогательной рукояткой) и при работе крепко держите инструмент и за боковую ручку, и за ручку с выключателем.

ВНИМАНИЕ: Перед началом работы всегда проверяйте надежность закрепления рабочей детали.

- **Рис.12**

Сверление с ударным действием

ВНИМАНИЕ: Когда инструмент/головка сверла начинает выходить из материала при завершении отверстия или когда отверстие забивается стружкой или частицами, а также при попадании на пруток арматуры при сверлении бетона, возникает огромное мгновенное усилие на инструмент/головку сверла. **Всегда пользуйтесь боковой ручкой (вспомогательной рукояткой) и при работе крепко держите инструмент и за боковую ручку, и за ручку с выключателем.** Несоблюдение данного требования может привести к потере контроля над инструментом и серьезной травме.

Поверните ручку изменения режима работы к символу .

Расположите головку сверла в желаемом положении в отверстии, затем нажмите триггерный переключатель. Не прилагайте излишних усилий к инструменту. Небольшое усилие на инструмент приводит к лучшим результатам. Удерживайте инструмент на месте и не допускайте его соскальзывания с места выполнения отверстия.

Не применяйте дополнительное давление, если отверстие засорено щепками или посторонними частицами. Вместо этого дайте инструменту поработать волостью и затем частично вытащите головку сверла из отверстия. Если эту процедуру проделать несколько раз, отверстие очистится и можно будет возобновить обычное сверление.

ПРИМЕЧАНИЕ: При работе с инструментом без нагрузки может наблюдаться эксцентricность головки сверла при вращении. Инструмент осуществляет автоматическую центровку в ходе его эксплуатации. Это не влияет на точность сверления.

Расщепление/Скобление/Разрушение

Поверните ручку изменения режима работы к символу .

Крепко держите инструмент обеими руками. Включите инструмент и немного надавите на него, чтобы предотвратить неконтролируемое подпрыгивание инструмента.

Слишком сильное нажатие на инструмент не повысит эффективность.

- **Рис.13**

Сверление дерева или металла

ВНИМАНИЕ: Крепко удерживайте инструмент и будьте осторожны, когда головка сверла начинает проходить сквозь обрабатываемую деталь. В момент выхода головки сверла из детали возникает огромное усилие на инструмент/сверло.


ВНИМАНИЕ: Заклинившая головка сверла может быть без проблем извлечена из обрабатываемой детали путем изменения направления вращения при помощи реверсивного переключателя. Однако если вы не будете крепко держать инструмент, он может резко сдвинуться назад.

ВНИМАНИЕ: Всегда закрепляйте обрабатываемые детали в тисках или аналогичном зажимном устройстве.

ПРИМЕЧАНИЕ: Запрещается использовать режим "вращения с ударным действием", если на инструменте установлен сверлильный патрон. Это может привести к повреждению сверлильного патрона.

Кроме того, при изменении направления вращения сверлильный патрон отсоединится.

ПРИМЕЧАНИЕ: Чрезмерное нажатие на инструмент не ускорит сверление. На самом деле, чрезмерное давление только повредит наконечник головки сверла, снизит производительность инструмента и сократит срок его службы.

Поверните ручку изменения режима работы к символу . Вы можете просверлить отверстие диаметром до 13 мм (1/2 дюйма) в металле и до 32 мм (1-1/4 дюйма) в дереве.

Используйте сверлильный патрон (дополнительная принадлежность). При его установке обратитесь к разделу "Установка или снятие головки сверла/зубила".

- **Рис.14:** 1. Сверлильный патрон (дополнительная принадлежность)


Для установки головки сверла вставьте ее до упора в сверлильный патрон. Вручную затяните зажимной патрон. Вставьте патронный ключ в каждое из трех отверстий и затяните его по часовой стрелке. Обязательно затягивайте все три отверстия патрона равномерно.

Для снятия головки сверла поверните патронный ключ против часовой стрелки только в одном отверстии, затем ослабьте патрон вручную.

- **Рис.15:** 1. Патронный ключ

Сверление колонковым алмазным долотом

ПРИМЕЧАНИЕ: Если выполнять работы колонковым алмазным долотом с использованием режима "вращение с ударным действием", колонковое алмазное долото можно повредить.

При сверлении колонковым алмазным долотом всегда переводите рычаг переключения в положение  "только вращение".

ОБСЛУЖИВАНИЕ

⚠ВНИМАНИЕ: Перед проверкой или проведением техобслуживания убедитесь, что инструмент выключен, а штекер отсоединен от розетки.

ПРИМЕЧАНИЕ: Запрещается использовать бензин, растворители, спирт и другие подобные жидкости. Это может привести к обесцвечиванию, деформации и трещинам.

Для обеспечения БЕЗОПАСНОСТИ и НАДЕЖНОСТИ изделия ремонт, проверка и замена угольных щеток и любые другие работы по техобслуживанию или регулировке должны осуществляться в уполномоченных сервис-центрах Makita с использованием запасных частей только производства компании Makita.

ТЕХНИКАЛЫҚ СИПАТТАМАЛАРЫ

Үлгі:		M8701
Бұрғылау сыйымдылықтары	Бетон	26 мм
	Бұрғылау бастиегі	68 мм
	Алмастан жасалған бұрғылау бастиегі (құрғақ түрі)	80 мм
	Болат	13 мм
	Ағаш	32 мм
Жүктемесіз жылдамдығы		0 - 1 200 мин ⁻¹
Бір минуттағы соққы саны		0 - 4 500 мин ⁻¹
Жалпы ұзындығы		362 мм
Таза салмағы		2,7 кг
Қауіпсіздік класы		□/II

- Зерттеу мен өзірлеудің үздіксіз бағдарламасына байланысты осы құжаттағы техникалық сипаттамалар ескертусіз өзгертілуі мүмкін.
- Техникалық сипаттамалары әр елде әр түрлі болуы мүмкін.
- Салмағы ЕРТА-Procedure 01/2003 стандартына сәйкес

Белгілер

Төменде жабдықта пайдаланылған белгілер көрсетілген. Қолданар алдында олардың мағынасын түсініп алыңыз.



Пайдалану жөніндегі нұсқаулықты оқып шығыңыз.



ҚОС ҚАБАТТЫ ОҚШАУЛАУ



Тек ЕО елдері үшін
Электр жабдықты немесе аккумулятор блогын тұрмыстық қалдықтармен бірге тастамаңыз! Электр және электронды жабдықты қоқысқа тастау бойынша Еуропалық директиваның шарттары және ұлттық заңнамаға сәйкес жүзеге асырылуы бойынша, қызметтік мерзімі аяқталған электр жабдық бөлек жиналып, экологиялық тұрғыдан қауіпсіз утилизация пунктіне қайтарылуы тиіс.

Қолдану мақсаты

Құрал соққылау арқылы бұрғылау және кірпіш, бетон және тасты бұрғылау, сондай-ақ ұсақтау жұмыстарына арналған.

Бұл сондай-ақ ағаш, металл, керамика және пластикті соққылаусыз бұрғылауға арналған.

Қуат көзі

Құрал ақпараттық тақтайшада көрсетілген кернеумен бірдей қуат көзіне қосылуы керек және тек бір фазалы АТ көзімен жұмыс істеуі керек. Олардың қос қабатты оқшауламасы бар болғандықтан, жерге тұйықталмаған розеткаларды пайдалануға болады.

Шу

EN60745 стандартына сай анықталған стандартты А-өлшенген шу деңгейі:

Дыбыс қысымының деңгейі (L_{pA}): 90 дБА

Дыбыс қуатының деңгейі (L_{WA}): 101 дБА

Дәлсіздік (K): 3 дБА

⚠ ЕСКЕРТУ: Қорғаныс құлаққабын киіңіз.

Діріл

EN60745 сәйкес анықталған дірілдің жалпы мәні (үш осьтік векторлық сома):

Жұмыс режимі: бетонды соққылау арқылы бұрғылау

Дірілдің таралуы ($a_{n,HD}$): 16,5 м/с²

Дәлсіздік (K): 1,5 м/с²

Жұмыс режимі: бүйірлік тұтқышпен ұсақтау функциясы

Дірілдің таралуы ($a_{n,Ched}$): 9,0 м/с²

Дәлсіздік (K): 1,5 м/с²

Жұмыс режимі: металды бұрғылау

Дірілдің таралуы ($a_{n,D}$): 2,5 м/с² немесе одан аз

Дәлсіздік (K): 1,5 м/с²

ЕСКЕРТПЕ: Дірілдің жарияланған жалпы мән(дер) і стандартты сынау әдісіне сәйкес өлшенген және оны бір құралды екінші құралмен салыстыру үшін пайдалануға болады.

ЕСКЕРТПЕ: Сондай-ақ дірілдің жарияланған жалпы мән(дер)ін әсерді алдын ала бағалау үшін пайдалануға болады.

⚠️ЕСКЕРТУ: Электрлік құралды іс жүзінде пайдалану кезіндегі дірілдің мәні құралдың пайдалану әдісіне, әсіресе қандай дайындама өңделгеніне байланысты жарияланған мән(дер)інен өзгеше болуы мүмкін.

⚠️ЕСКЕРТУ: Іс жүзінде пайдалану кезіндегі әсерді бағалау негізінде операторды қорғау үшін қауіпсіздік шараларын анықтаңыз (құралдың өшірілген уақыты және бос жүріс уақытын қоса алғанда, іске қосылу уақыты сияқты барлық жұмыс циклдерін ескеру керек).

ЕС сәйкестік декларациясы

Тек Еуропа елдеріне арналған

ЕС сәйкестік декларациясы осы пайдалану жөніндегі нұсқаулықтың А қосымшасы ретінде қосылған.

ҚАУІПСІЗДІК БОЙЫНША ЕСКЕРТУЛЕР

Электрлік құралдың жалпы қауіпсіздік ескертулері

⚠️ЕСКЕРТУ: Барлық қауіпсіздік ескертулері мен нұсқауларын оқып шығыңыз. Төменде берілген барлық ескертулер мен нұсқауларды орындамаған жағдайда, электр тогының соғуы, өрт шығуы және/немесе ауыр жарақат алуға себеп болуы мүмкін.

Алдағы уақытта қолдану үшін барлық ескерту мен нұсқауды сақтап қойыңыз.

Ескертулердегі "электрлік құрал" термині қуат көзінен жұмыс істейтін (сымды) электрлік құралды немесе аккумулятормен жұмыс істейтін (сымсыз) электрлік құралды білдіреді.

Жұмыс аймағындағы қауіпсіздік

1. **Жұмыс аймағы таза әрі жарық болуы керек.** Лас немесе қараңғы аймақтарда жазатайым оқиғалар туындауы мүмкін.
2. **Электрлік құралды айналасында тез тұтанатын сұйықтық, газ немесе шаң сияқты заттардан тұратын жарылыс қаупі бар орталарда пайдаланбаңыз.** Электрлік құралдар шаң немесе газды тұтандыратын электр ұшқындарын шығарады.
3. **Электрлік құралды пайдаланған кезде, балалар және бөгде адамдар алшақ жүруі керек.** Басқа нәрсеге алаңдасаңыз, құралға ие бола алмай қалуыңыз мүмкін.

Электрлік қауіпсіздік

1. **Электрлік құралдың ашасы розеткаға сәйкес келуі керек.** Ашаны ешбір жағдайда өзгертпеңіз. Адаптер ашаларын жерге тұйықталған электрлік құралдармен пайдаланбаңыз. Өзгертілмеген ашалар мен сәйкес келетін розеткалар электр тогының соғу қаупін азайтады.

2. **Түтіктер, радиаторлар, жылу батареялары және тоңазытқыштар сияқты жерге тұйықталған бұйымдарды ұстамаңыз.** Егер дөненің жерге тұйықталатын болса, ток соғу қаупі жоғары.
3. **Электрлік құралдарды жаңбырдың астына немесе ылғалды жерлерге қоймаңыз.** Электрлік құралға су кіретін болса, ток соғу қаупі артады.
4. **Қуат шнурын дұрыс пайдаланыңыз.** Электрлік құралды тасу, тарту немесе қуат көзінен ажырату үшін қуат шнурын пайдалануға болмайды. Қуат шнурына ыстық зат, май, өткір жиек немесе қозғалмалы бөлшектер тимеуі керек. Зақымдалған немесе оралған қуат шнурлары ток соғу қаупін арттырады.
5. **Электрлік құралды сыртта пайдаланғанда, сыртта қолдануға жарамды ұзартқышты қолданыңыз.** Сыртта қолдануға жарамды шнурды пайдалану ток соғу қаупін азайтады.
6. **Егер электрлік құралды ылғалды жерде пайдалану керек болса, қорғаныстық ажырату құрылғысын (RCD) пайдаланыңыз.** Қорғаныстық ажырату құрылғысын пайдалану ток соғу қаупін азайтады.
7. **Электр қуатын әрдайым 30 мА немесе одан кем номиналды дифференциалды тогы бар қорғаныстық ажырату құрылғысы (RCD) арқылы пайдалану ұсынылады.**

Жеке қауіпсіздік

1. **Электрлік құралды пайдаланған кезде, жасап жатқан жұмысыңызға қырағылық танытып, мұқият болыңыз.** Шаршағанда немесе есірткі, алкоголь немесе дәрі-дәрмектің әсерінде болған кезде электрлік құралды пайдаланбаңыз. Электрлік құралды пайдалану кезінде сәл ғана аңсыздық таныту ауыр жарақатқа әкелуі мүмкін.
2. **Жеке қорғаныс жабдығын пайдаланыңыз.** Міндетті түрде қорғаныс көзілдірігін тағыңыз. Шаңнан қорғайтын маска, сырғанамайтын қорғаныс аяқ киімі, каска немесе құлаққап сияқты қорғаныс жабдықтарын тиісті жағдайларда қолдану жарақаттануды азайтады.
3. **Кездейсоқ іске қосудың алдын алыңыз.** Құралды қуат көзіне және/немесе аккумулятор блогына қоспас бұрын, оны жинап немесе тасымалдамас бұрын, ауыстырып-қосқыш өшірулі күйде екеніне көз жеткізіңіз. Саусақ электрлік құралдың ауыстырып-қосқышында тұрған кезде оны тасымалдау немесе ауыстырып-қосқышы қосылуы электрлік құралды қуат көзіне қосу жазатайым оқиғаға әкел соғуы мүмкін.
4. **Электрлік құралды қоспас бұрын, реттегіш немесе сомынды бұрайтын кілттерді алып тастаңыз.** Электрлік құралдың айналмалы бөлігінде реттегіш немесе сомынды бұрайтын кілт бекітулі қалса, жарақаттауы мүмкін.
5. **Тым артық күш салмаңыз.** Әрдайым тұрақты және тепе-теңдік сақтайтын күйде болыңыз. Бұл күтпеген жағдайда электрлік құралды жақсы басқаруға мүмкіндік береді.

ПЕРФОРАТОРҒА ҚАТЫСЫ ҚАУІПСІЗДІК ЕСКЕРТУЛЕРІ

6. Жұмысқа сай киініңіз. Бос киім кимеңіз және әшекей тақпаңыз. Шаш, киім және қолғабыңызды қозғалмалы бөлшектерден алшақ ұстаңыз. Бос киім, әшекейлер немесе ұзын шаш қозғалмалы бөлшектерге ілініп қалуы мүмкін.
7. Шаң тұту және жинау құрылғылары қамтамасыз етілген болса, олардың қосулы екендігіне және дұрыс қолданылып жатқанына көз жеткізіңіз. Шаң жинау құрылғысын пайдалану шаңмен байланысты қауіпті азайтуы мүмкін.

Электрлік құралды пайдалану және күтім жасау

1. Электрлік құралға артық күш түсірмеңіз. Орындалатын жұмысқа сәйкес келетін электрлік құралды пайдаланыңыз. Дұрыс таңдалған электрлік құрал өзіне жүктелген жұмысты жақсы және қауіпсіз істейді.
2. Ауыстырып-қосқышы ақаулы электрлік құралды пайдаланбаңыз. Ауыстырып-қосқышы ақаулы кез келген электр құрал қауіп төндіреді және оны жөндеу керек.
3. Кез келген реттеулер жасамас бұрын, керек-жарақтарды ауыстырмас бұрын немесе электр құралдарды ұзақ уақытқа сақтамас бұрын, ашаны қуат көзінен ажыратыңыз және/немесе аккумулятор блогы бар болса, оны шығарып алыңыз. Осындай алдын алу шаралары электрлік құралдың кездейсоқ іске қосылу қаупін азайтады.
4. Электрлік құралдарды балалардың қолы жетпейтін жерде сақтаңыз, сонымен қатар электрлік құралмен жұмыс істей алмайтын және осы нұсқауларды оқымаған тұлғаларға құралды пайдалануға рұқсат етпеңіз. Арнайы жаттығудан өтпеген пайдаланушылар үшін электрлік құрал қауіп төндіреді.
5. Электр құралдарға техникалық қызмет көрсетіңіз. Қозғалмалы бөлшектердің ауытқуы және оралуы, зақымдалған бөлшектер және электрлік құралдың жұмысына кері әсер ететін басқа жағдайлардың бар-жоғын тексеріңіз. Зақымды болса, электрлік құралды жөндеген соң бірақ пайдаланыңыз. Жазатайым оқиғалардың көбі электрлік құралдарға дұрыс техникалық қызмет көрсетілмеу себебінен болады.
6. Кесу құралдары өткір және таза болуы керек. Кескіш жиектері өткір кесу құралдарын дұрыс пайдалансаңыз, олар тұрып қалмайды және басқаруға оңай.
7. Электрлік құралды, керек-жарақтарды және қондырмаларды, т.б. жұмыс жағдайы мен орындалатын жұмысты ескере отырып, осы нұсқауларға сәйкес пайдаланыңыз. Электрлік құралды басқа мақсатта пайдаланған жағдайда, қауіпті жағдай туындауы мүмкін.

Қызмет көрсету

1. Электрлік құралды білікті маманға жөндетіп алыңыз, ол тиісті қосалқы бөлшектерді пайдалануы керек. Бұл электрлік құралдың қауіпсіздігін қамтамасыз етеді.
2. Керек-жарақтарды майлау және ауыстыру нұсқауын орындаңыз.
3. Тұтқаларды құрғақ, таза ұстаңыз және майлы болмауын қамтамасыз етіңіз.

1. Қорғаныс құлаққабын киіңіз. Шуылдың әсері есту қабілетінің жоғалуына әкелуі мүмкін.
2. Егер құралмен бірге берілген болса, қосалқы тұтқа(лар)ды пайдаланыңыз. Құралға ие бола алмай қалсаңыз, жарақат алуыңыз мүмкін.
3. Жұмыс істеп жатқанда, кесуге арналған керек-жарақ жасырын сымға немесе өз шнурьына тиіп кетуі мүмкін болса, электр құралды оқшауланған арнайы қысқыштармен ұстаңыз. Кесу құралы кернеулі сымға тиіп кетсе, электрлік құралдың ашық металл бөлшектерінде кернеу пайда болады, нәтижесінде операторды ток соғуы мүмкін.
4. Қатты дулығаны (қорғаныш каскасы), қорғаныш көзілдірігін және/немесе бет қалқаншасын пайдаланыңыз. Қарапайым көзілдірік немесе күннен қорғайтын көзілдірік қорғаныс көзілдірігі болып ТАБЫЛМАЙДЫ. Сондай-ақ, шаңнан қорғайтын маска және қалың тығыздалған қолғап киген жөн.
5. Жұмысты бастамай тұрып, қашау орнына бекітілгеніне көз жеткізіңіз.
6. Қалыпты жұмыс жағдайында, құрал діріл шығаратындай етіп жасалған. Бұрандалар оңай босап кетіп, ақау немесе жазатайым оқиға тудыруы мүмкін. Жұмысты бастамай тұрып, бұрандалардың тартып бұрау дәрежесін мұқият тексеріңіз.
7. Суық ауа-райында немесе құрал ұзақ уақыт пайдаланылмаған кезде, құралды жүктемесіз жұмыс істетіп, біраз уақыт қыздырыңыз. Бұл майлауды жібегеді. Дұрыс қыздырылмаған жағдайда, соққылау жұмыстары қиындайды.
8. Әрдайым тұрақты жерде тұрғаныңызға көз жеткізіңіз. Құралды биіктікте пайдаланған кезде, төменгі жақта адамдардың жоқтығын тексеріңіз.
9. Құралды өкі қолмен мықтап ұстаңыз.
10. Қолдарыңызды айналмалы бөлшектерден аулақ ұстаңыз.
11. Құралды қосулы күйде қалдырмаңыз. Құралды тек қолмен ұстап пайдаланыңыз.
12. Жұмыс істеп тұрған кезде, құралды кез келген аймаққа бағыттамаңыз. Қашау ұшып кетіп, біреуді ауыр жарақаттауы мүмкін.
13. Қашауды, қашауға немесе өңдеу бөлшегіне жақын бөлшектерді пайдаланғаннан кейін бірден ұстауға болмайды; олар қатты ыстық болуы және теріні қыйдіруі мүмкін.
14. Кейбір материалдарда улы болуы мүмкін химиялық заттар бар. Шаң жұтуға жол бермей, теріге тигізбеңіз. Материал жеткізушісінің қауіпсіздік туралы деректерін қараңыз.
15. Қуат ашасын су қолыңызбен ұстамаңыз.

ОСЫ НҰСҚАУЛАРДЫ САҚТАҢЫЗ.

▲ЕСКЕРТУ: Өнімді қайта пайдалану барысында САЛҒЫРТТЫҚ ТАНЫТПАЙ, қауіпсіздік ережелерін ұстаныңыз. Осы пайдалану жөніндегі нұсқаулықта келтірілген қауіпсіздік ережелерін ДҰРЫС ПАЙДАЛАНБАУ немесе орындамау ауыр жарақаттарға әкеп соқтыруы мүмкін.

ФУНКЦИОНАЛДЫҚ СИПАТТАМАСЫ

▲САҚ БОЛЫҢЫЗ: Құралдың жұмысын реттемес және тексермес бұрын, әрдайым құралдың өшірулі екендігіне және ажыратылғандығына көз жеткізіңіз.

Ауыстырып-қосқыштың әрекеті

▲САҚ БОЛЫҢЫЗ: Құралды қоспас бұрын, әрдайым ауыстырып-қосқыш шүріппесінің дұрыс жұмыс істеп тұрғанына және босатылған кезде "ӨШІРУЛІ" күйіне қайтарылатынына әрқашан көз жеткізіп тұрыңыз.

▲САҚ БОЛЫҢЫЗ: Ұзақ пайдалану кезінде оператордың ыңғайлылығы үшін ауыстырып-қосқыш "ҚОСУЛЫ" күйінде құлыптала алады. Құралдың "ҚОСУЛЫ" күйінде құлыпталуы кезінде сақтық танытыңыз және құралдан қатты ұстаңыз.

- **Сурет1:** 1. Ауыстырып-қосқыш шүріппесі
2. Құлыптау түймесі

Құралды іске қосу үшін жай ғана ауыстырып-қосқыш шүріппесін басыңыз. Құралдың жылдамдығы ауыстырып-қосқыш шүріппесіндегі қысымды арттырған сайын артады. Тоқтату үшін ауыстырып-қосқыш шүріппесін жіберіңіз.

Үздіксіз жұмыс істеу үшін ауыстырып-қосқыш шүріппесін тартып, құлыптау түймесін басып, ауыстырып-қосқыш шүріппесін босатыңыз. Құралды құлыпталған күйден тоқтату үшін, ауыстырып-қосқыш шүріппесін толығымен тартыңыз, содан кейін оны босатыңыз.

Ауыстырып-қосқыш жұмыс бағытын кері айналдыру

▲САҚ БОЛЫҢЫЗ: Жұмыс алдында әрдайым айналым бағытын тексеріңіз.

НАЗАР САЛЫҢЫЗ: Кері айналдыру ауыстырып-қосқышын құрал толығымен тоқтағаннан кейін ғана қолданыңыз. Құрал тоқтамас бұрын айналым бағытын өзгерту құралдың зақымдалуына әкелуі мүмкін.

НАЗАР САЛЫҢЫЗ: Айналу бағытын өзгерту кезінде, реверсивті ауыстырып-қосқышты ◀ күйіне (А жағы) немесе ▶ күйіне (В жағы) толықтай орнатқаныңызға көз жеткізіңіз. Олай болмаған жағдайда, ауыстырып-қосқыш шүріппесін тартқанда, қозғалтқыш айналмауы мүмкін немесе құрал дұрыс жұмыс істемеуі мүмкін.

- **Сурет2:** 1. Кері айналдыру ауыстырып-қосқыш тетігі


Бұл құралда айналым бағытын өзгерту үшін кері айналдыру ауыстырып-қосқышы бар. Реверсивті ауыстырып-қосқыш тетігі сағат тілімен айналу үшін ◀ күйіне (А жағы) немесе сағат тіліне қарсы айналуы үшін ▶ күйіне (В жағы) жылжытыңыз.

Әрекет ету режимін таңдау

НАЗАР САЛЫҢЫЗ: Құрал жұмыс істеп тұрған кезде әрекет режимін өзгерту тетігін бұрмаңыз. Құрал зақымдалуы мүмкін.


НАЗАР САЛЫҢЫЗ: Режимді өзгерту тетігінің тез тозуына жол бермеу үшін, әрекет ету режимінің өзгеру тетігінің әрқашан әрекет ету режимінің үш позициясының біреуінде оң екендігіне көз жеткізіңіз.

Соққылау арқылы айналу

Бетон, тас қалауын және т.б. бұрғылау кезінде әрекет ету режимін ауыстыратын тетікті  белгісіне қарай бұраңыз. Карбидті вольфраммен ұшталған қашауды (қосымша керек-жарақ) пайдаланыңыз.

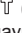
- **Сурет3:** 1. Әрекет ету режимін ауыстыру тетігі

Тек айналу

Ағаш, металл немесе пластик материалдарды бұрғылау кезінде әрекет ету режимін ауыстыратын тетікті  белгісіне қарай бұраңыз. Спиральді бұрғылау қашауын немесе ағаш бұрғылау қашауын пайдаланыңыз.

- **Сурет4:** 1. Әрекет ету режимін ауыстыру тетігі

Тек соққылау

Шабу, кішірейту немесе бұзу жұмыстары кезінде әрекет ету режимін ауыстыратын тетікті  белгісіне қарай бұраңыз. Шашақты қашау, қол қашауын, кішірейту қашауын және т.б. пайдаланыңыз.

- **Сурет5:** 1. Әрекет ету режимін ауыстыру тетігі

Айналу моментін шектеуші

НАЗАР САЛЫҢЫЗ: Айналу моментін шектеуші қосылған кезде, құралды дереу өшіріңіз. Бұл құралдың мерзімінен бұрын тозуына жол бермеуге көмектеседі.

НАЗАР САЛЫҢЫЗ: Бұл құралға қыстырылып қалатын немесе саңылауда оңай тұрып қалатын сақиналы ара секілді бұрғылау қашаулары жарамайды. Бұл айналу моментін шектеушіні тым жиі іске қосқанға байланысты.

Айналу моментін шектеуші айналу моментінің белгілі бір деңгейіне жеткенде іске қосылады. Қозғалтқыш шығыс біліктен ажыратылады. Ондай болған жағдайда, бұрғылау қашауы айналууды тоқтатады.

ҚҰРАСТЫРУ

▲САҚ БОЛЫҢЫЗ: Құралмен жұмыс істемес бұрын, әрдайым құралдың өшірулі екендігіне және ажыратылғандығына көз жеткізіңіз.

Бүйірлік тұтқыш (көмекші тұтқа)

▲САҚ БОЛЫҢЫЗ: Қауіпсіз жұмысты қамтамасыз ету үшін ерқашан бүйірлік тұтқышты пайдаланыңыз.

▲САҚ БОЛЫҢЫЗ: Бүйірлік тұтқышты орнатқаннан кейін немесе реттел болғаннан кейін, бүйірлік тұтқыш мықтап бекітілгеніне көз жеткізіңіз.

Бүйірлік тұтқышты тұтқышқа арналған дөңес жерлер құрал өзегіндегі бұдыр жерлер арасында орналасатындай етіп орнатыңыз. Содан соң, тұтқышты қажетті күйге бекіту үшін құлақты бұrandаны сағат тілі бағытымен бұраңыз. Оны кез келген күйде бекіту үшін, 360°-қа айналдыруға болады.

► **Сурет6:** 1. Бүйірлік тұтқыш 2. Құлақты бұrandа 3. Бекіту 4. Босату

Майлау

Бұрғылау қашауы/қол қашауы бұрғысының ұшын майдың кішкене мөлшерімен алдын ала майлаңыз (шамамен 0,5 - 1 г). Қысқыны майлау бірқалыпты әрекет және қызмет көрсету мерзімін ұзартады.

Бұрғылау қашауын/қол қашауын орнату және алып тастау

Бұрғылау қашауы/қол қашауы бұрғысының ұшын тазалаңыз және бұрғылау қашауын/қол қашауын орнатпас бұрын майды жағыңыз.

► **Сурет7:** 1. Бұрғылау қашауы/қол қашауы бұрғысының ұшы 2. Майлау

Бұрғылау қашауын/қол қашауын құралға салыңыз. Бұрғылау қашауын/қол қашауын іске қосылғанша, бұрыңыз және итеріңіз.

Бұрғылау қашауын/қол қашауын орнатқаннан кейін, бұрғылау қашауы/қол қашауы мықтап бекітілгеніне ерқашан тартып көру арқылы көз жеткізіп тұрыңыз.

► **Сурет8:** 1. Бұрғылау қашауы/қол қашауы


Бұрғылау қашауы/қол қашауы алып тастау үшін, қысқы корпусын толығымен тартып алыңыз және бұрғылау қашауы/қол қашауы шығарып алыңыз.

► **Сурет9:** 1. Бұрғылау қашауы/қол қашауы 2. Қысқы корпусы

Қол қашауының бұрышы (шабу, кішірейту немесе бұзу жұмыстары кезінде)

Қол қашауын қалаған бұрышқа бекітуге болады. Қол қашауының бұрышын өзгерту үшін әрекет ету режимін ауыстыратын тетікті О белгісіне бұраңыз. Қол қашауын қалаған бұрышқа бұрыңыз.

► **Сурет10:** 1. Әрекет ету режимін ауыстыру тетігі

Әрекет ету режимін өзгерту тетігін  белгісіне қарай бұраңыз. Содан кейін, қол қашауын аздап бұрап көру арқылы оның орнында мықтап бекітілгендігіне көз жеткізіңіз.

Тереңдік өлшегіш

Тереңдік өлшегіш тереңдіктері бірдей саңылаулар бұрғылауға ыңғайлы болып табылады. Құлақты бұrandаны босатып, тереңдік өлшегішті қажетті тереңдікке реттеңіз. Реттел болған соң, құлақты бұrandаны мықтап бекітіңіз.

► **Сурет11:** 1. Құлақты бұrandа 2. Тереңдік өлшегіш

ЕСКЕРТПЕ: Тереңдік өлшегішті беріліс қорабын/қозғалтқыш корпусына тиіп тұратындай күйде пайдалануға болмайды.

ПАЙДАЛАНУ


▲САҚ БОЛЫҢЫЗ: Жұмыс жасау кезінде, ерқашан бүйірлік тұтқышты (көмекші тұтқа) пайдаланыңыз және тұтқыштың екі беті мен ауыстырып-қосқыштың тұтқасын мықтап ұстаңыз.

▲САҚ БОЛЫҢЫЗ: Жұмысты бастамас бұрын, ерқашан өңдеу бөлшегінің бекітілгеніне көз жеткізіңіз.

► **Сурет12**

Соқпалы бұрғылау жұмыстары

▲САҚ БОЛЫҢЫЗ: Саңылау бұзылып жатқан сәтте саңылау жоңқа мен бөлшектерге толған кезде немесе соққылаушы шыбықты арматуралар бетонға кіріктірілген кезде, құралда/бұрғылау қашауында кенеттен үлкен бұралу күші пайда болады. **Жұмыс жасау кезінде, ерқашан бүйірлік тұтқышты (көмекші тұтқа) пайдаланыңыз және тұтқыштың екі беті мен ауыстырып-қосқыштың тұтқасын мықтап ұстаңыз.** Әйтпесе құралды басқару мүмкіндігі жоғалып, ықтимал ауыр жарақат алуға себеп болуы мүмкін.


Әрекет ету режимін өзгеру тетігін  белгісіне орнатыңыз.

Бұрғылау қашауын саңылауға қажетті орынға қойыңыз, содан соң ауыстырып-қосқыш шүріппесін тартыңыз. Құралға күш түсірмеңіз. Аз қысым жақсы нәтижелер береді. Құралды орнында ұстап, оны саңылаудан сырғып кетуіне жол бермеңіз.

Саңылау жоңқа немесе бөлшектерге толған кезде, көбірек қысым түсірмеңіз. Оның орнына, құралды бос жүріске салып, бұрғылау қашауын саңылаудан ішінара шығарып алыңыз. Осы әрекетті бірнеше рет қайталау арқылы саңылау тазарады және қалыпты бұрғылау қалпына келуі мүмкін.

ЕСКЕРТПЕ: Аспапты жүктемесіз пайдалану кезінде бұрғылау қашауының айналуында центрден ауытқу болуы мүмкін. Құрал жұмыс кезінде өз-өзін автоматты түрде ортаға келтіреді. Бұл бұрғылау дәлдігіне әсер етпейді.

Шабу/Кішірейту/Бұзу

Әрекет ету режимін өзгерту тетігін  белгісіне орнатыңыз. Құралды екі қолмен мықтап ұстаңыз. Құралды іске қосыңыз және құрал ыршып кетіп, басқарусыз қалмауы үшін оны кішкене басыңыз. Құралды қатты басу өнімділікті арттырмайды.

► **Сурет13**

Ағашты немесе металды бұрғылау

▲САҚ БОЛЫҢЫЗ: Бұрғы қашауы өңдеу бөлшегін бұза бастағанда, құралды мықтап ұстаңыз және сақ болыңыз. Саңылаудың бұзылуы кезінде құралға/бұрғылау қашауына орасан зор күш түсіріледі.

▲САҚ БОЛЫҢЫЗ: Қыстырылып қалған бұрғылау қашауын кері қарай шығуы үшін реверсивті ауыстырып-қосқышты кері бағытта айналу күйіне орнату арқылы оңай шығарып алуға болады. Дегенмен құралды қатты ұстамасаңыз, кенеттен артқа ыршуы мүмкін.


▲САҚ БОЛЫҢЫЗ: Өңдеу бөлшектерін ерқашан қысқышта немесе соған ұқсас ұстап тұратын құрылғымен бекітіңіз.

НАЗАР САЛЫҢЫЗ: Құралда бұрғылау қысқысы орнатылған кезде, ешқашан "соққылау арқылы айналдыру" әрекетін пайдаланбаңыз. Бұрғылау қысқысы зақымдалуы мүмкін.

Сондай-ақ, бұрғылау қысқысы құрылғыны кері айналдыру кезінде ажырап кетуі мүмкін.

НАЗАР САЛЫҢЫЗ: Құрылғыны шамадан тыс басу бұрғылауды тездетпейді.

Шындығында, шамадан тыс қысым тек бұрғылау қашауыңыздың ұшын зақымдайды, құралдың өнімділігін және құралдың қызмет ету мерзімін қысқартады.

Әрекет ету режимін өзгерту тетігін  белгісіне орнатыңыз. Металды 13 мм-ге (1/2") дейінгі диаметрде, ал ағашты 32 мм-ге (1-1/4") дейінгі диаметрде бұрғылай аласыз.

Бұрғылау қысқысы жинағын пайдаланыңыз (қосымша керек-жарақ). Оны орнату кезінде, "Бұрғылау қашауы/қол қашауын орнату немесе алып тастау" бөлімін қараңыз.

► **Сурет14:** 1. Бұрғылау қысқысы жинағы (қосымша керек-жарақ).


Бұрғылау қашауын орнату үшін, қысқы ішіне тірелетіндей етіп орналастырыңыз. Қысқыны қолмен қысыңыз. Қысқының бүйірлік кілтін әр үш саңылауға орналастырып, сағат тілі бағытымен бекітіңіз. Барлық үш саңылауды міндетті түрде бірдей қысыңыз.

Бұрғылау қашауын алып тастау үшін, тек бір саңылаудағы қысқының бүйірлік кілтін сағат тіліне қарсы бағытта бұрап, содан кейін қысқыны қолмен босатыңыз.

► **Сурет15:** 1. Қысқының бүйірлік кілті

Алмастан жасалған бастиекпен бұрғылау

НАЗАР САЛЫҢЫЗ: Алмастан жасалған бастиекпен бұрғылау жұмыстарын "соққылау арқылы айналдыру" арқылы жүргізетін болсаңыз, алмастан жасалған бастиек қашауы зақымдалуы мүмкін.

Алмастан жасалған бастиекпен бұрғылау жұмыстарын жүргізу кезінде, "тек айналдыру" әрекетін қолдану үшін, өзгерту тетігін ерқашан  күйіне ауыстырыңыз.

ТЕХНИКАЛЫҚ ҚЫЗМЕТ КӨРСЕТУ

▲САҚ БОЛЫҢЫЗ: Тексеру немесе техникалық қызмет көрсету жұмыстарын жүргізбес бұрын, әрдайым құралдың өшірулі екендігіне және токтан ажыратылғанына көз жеткізіңіз.

НАЗАР САЛЫҢЫЗ: Жанармайды, бензинді, сұйылтқышты, спиртті немесе соған ұқсас заттарды ешқашан пайдаланбаңыз. Нәтижесінде түссіздену, бүліну немесе жарықтар пайда болуына әкелуі мүмкін.

Өнімнің ҚАУІПСІЗДІГІ мен СЕНІМДІЛІГІН қамтамасыз ету үшін жөндеу жұмыстары, графитті қылшақты тексеру және алмастыру, кез келген басқа техникалық қызмет көрсету немесе реттеу жұмыстары Makita компаниясының өкілетті немесе Зауыттық қызмет көрсету орталықтары тарапынан (Makita қосалқы бөлшектерін қолдана отырып) орындалуы керек.

Makita Europe N.V. Jan-Baptist Vinkstraat 2,
3070 Kortenberg, Belgium

Makita Corporation 3-11-8, Sumiyoshi-cho,
Anjo, Aichi 446-8502 Japan

www.makita.com

885528-780 EN, RU, KK 20181012
