

- en** Original instructions
- es** Manual original
- ru** Оригинальное руководство по эксплуатации
- ua** Оригінальна інструкція з експлуатації
- kz** Пайдалану нұсқаулығының түпнұсқасы
- ar** دليل المستخدم الأصلي
- fa** دفترچه راهنمای اصلی

English

Explanatory drawings	pages 3 - 12
General safety rules, instructions manual	pages 13 - 20

Español

Dibujos explicativos	páginas 3 - 12
Recomendaciones generales de seguridad, manual de instrucciones	páginas 21 - 28

Русский

Пояснительные рисунки	страницы 3 - 12
Общие указания по ТБ, инструкция по эксплуатации	страницы 29 - 37

Українська

Пояснювальні малюнки	сторінки 3 - 12
Загальні вказівки по ТБ, інструкція з експлуатації	сторінки 38 - 45

Қазақ тілі

Түсіндіргіш әлеміштер	беттер 3 - 12
Жалпы қауіпсіздік жөніндегі ұсыныстар, пайдалану нұсқаулығы	беттер 46 - 53

العربية

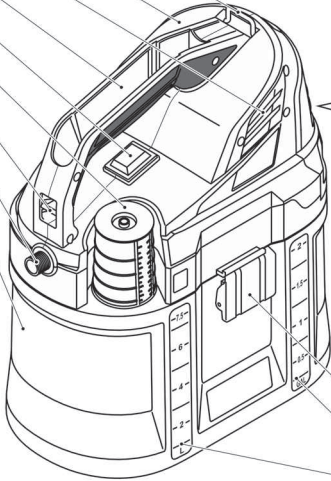
رسوم توضيحية	الصفحات 3 - 12
قواعد السلامة العامة، دليل التعليمات	الصفحات 54 - 60

فارسی

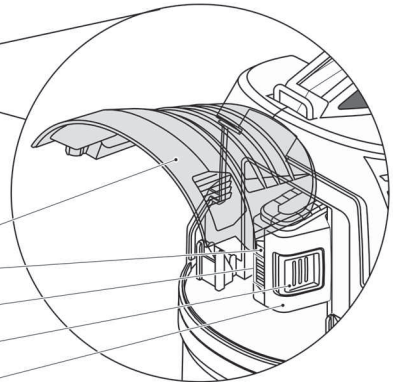
اشکال توضیحی	صفحه های 3 - 12
قوانین ایمنی کلی، دفترچه دستورالعمل ها	صفحه های 61 - 68



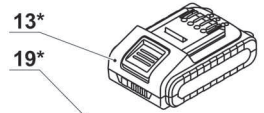
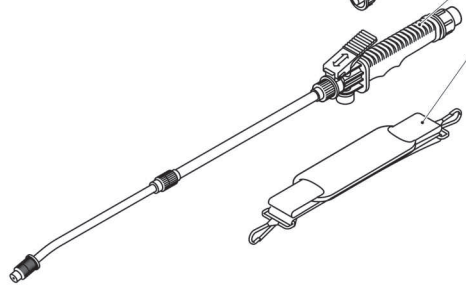
- 1
- 2
- 3
- 4
- 5
- 6
- 1
- 7
- 8



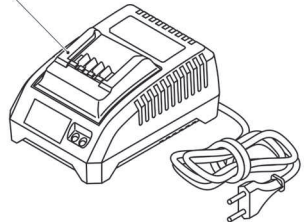
- 9
- 10*
- 11*
- 12*
- 13*
- 14
- 15



- 16*
- 17*
- 18*

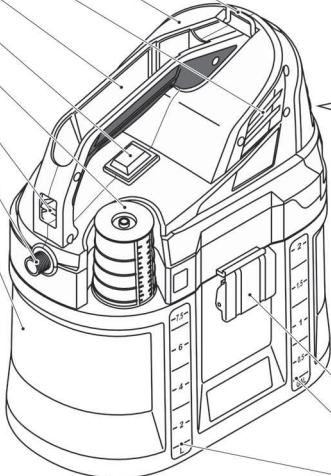


- 13*

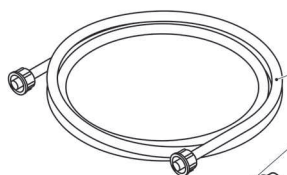
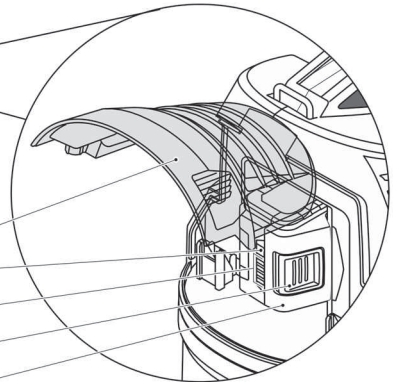


- 19*

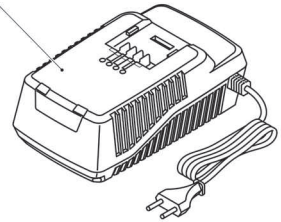
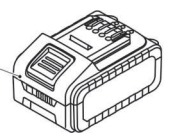
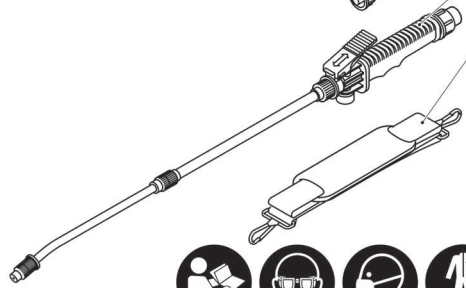
- 1
- 2
- 3
- 4
- 5
- 6
- 1
- 7
- 8



- 9
- 10*
- 11*
- 12*
- 13*
- 14
- 15



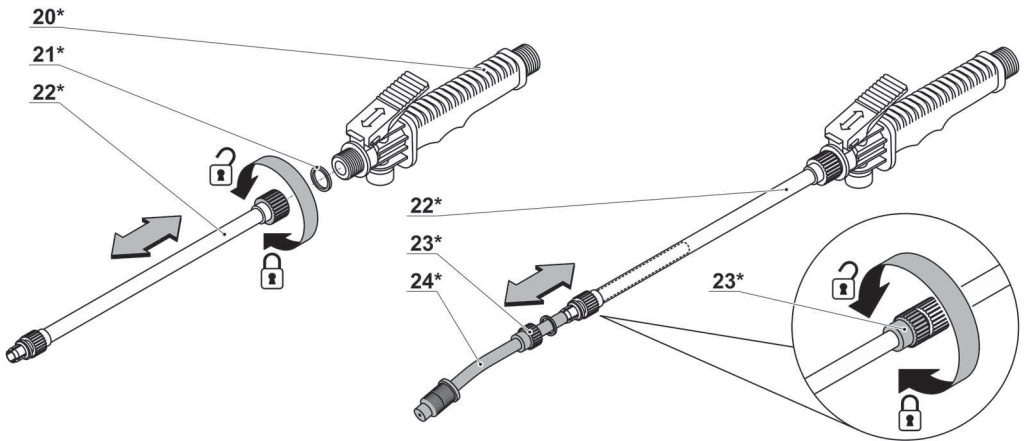
- 16*
- 17*
- 18*



1.1

1.2

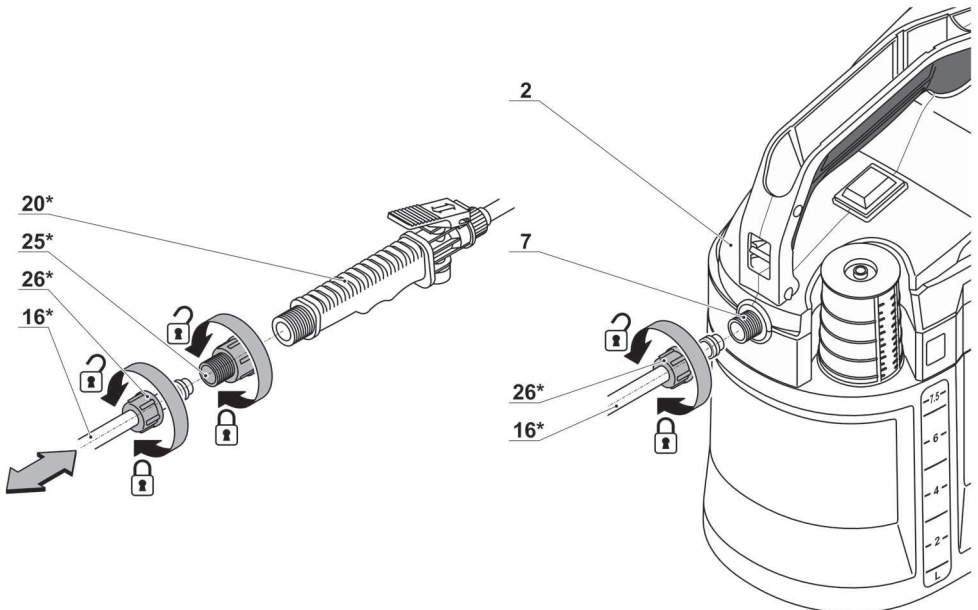
1



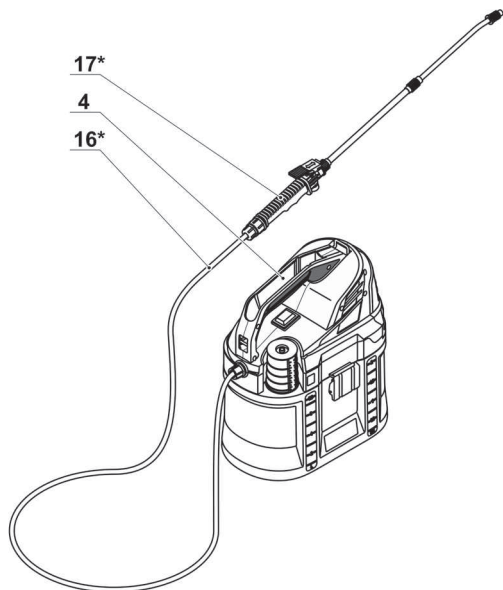
2.1

2.2

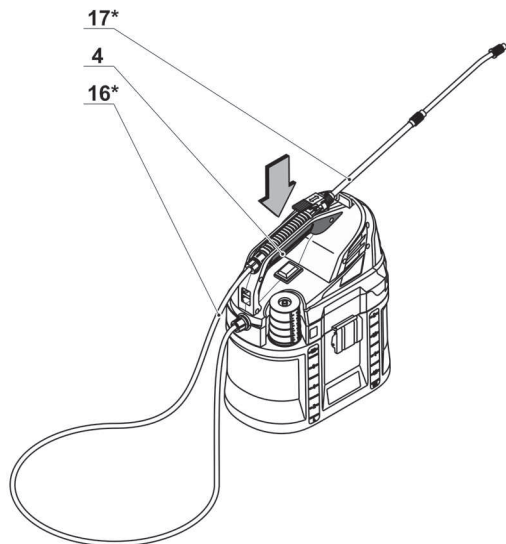
2



3.1

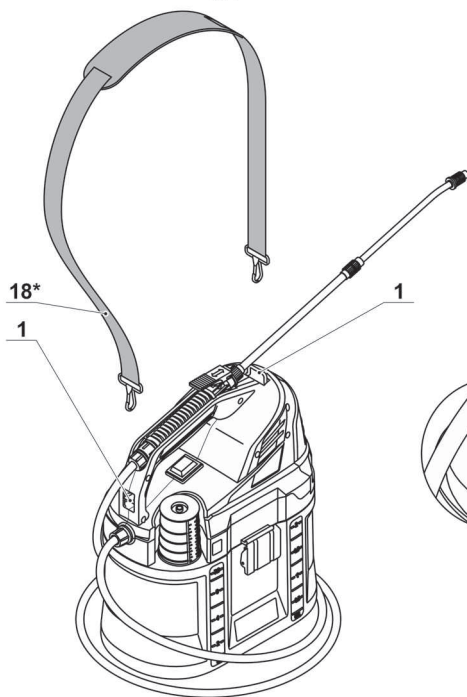


3.2

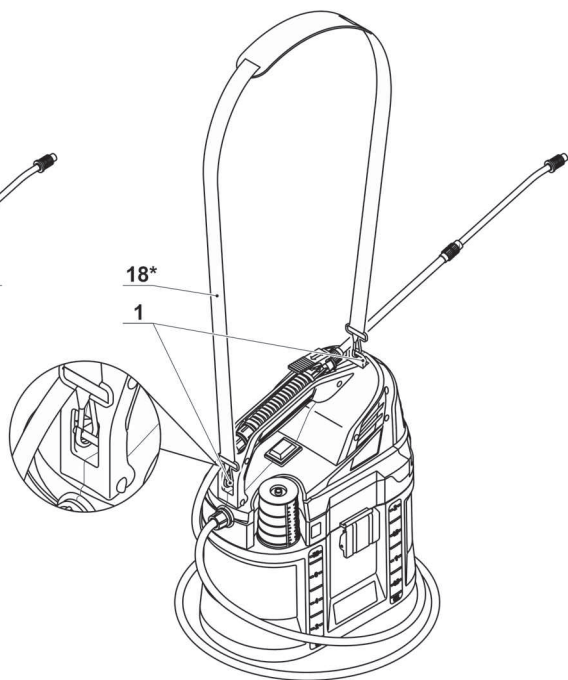


3

4.1

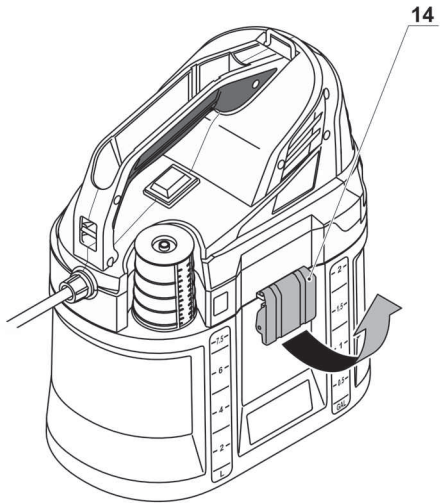


4.2

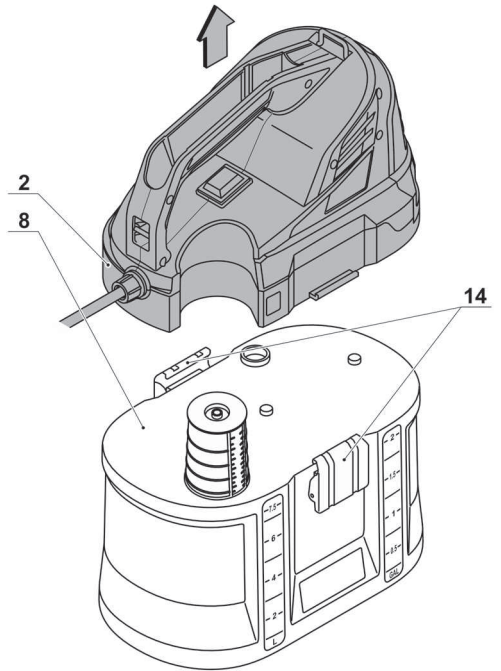


4

5.1

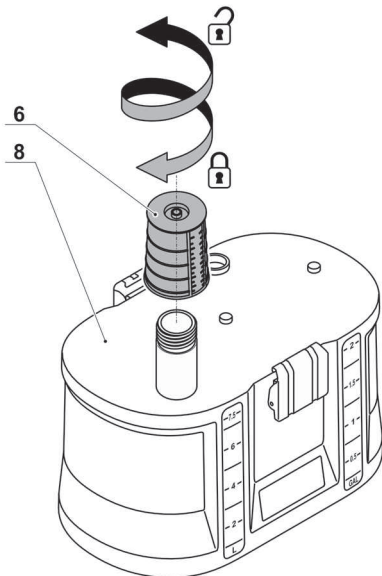


5.2

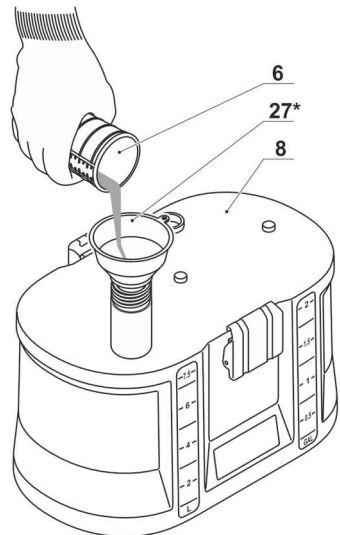


5

6.1

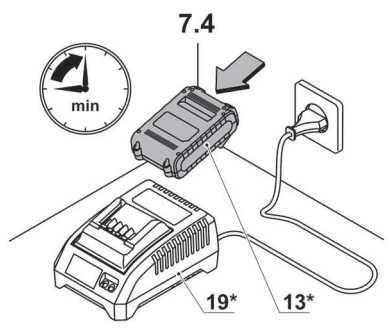
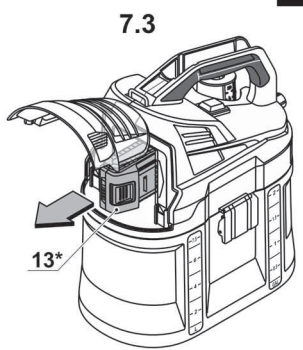
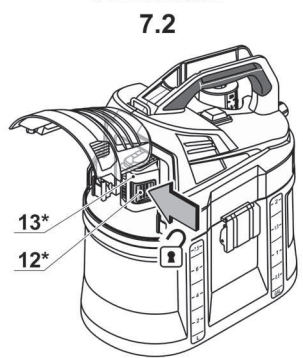
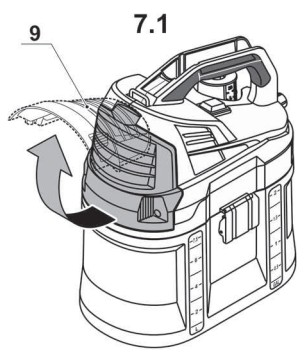


6.2

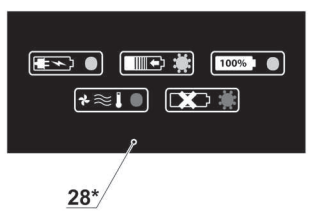
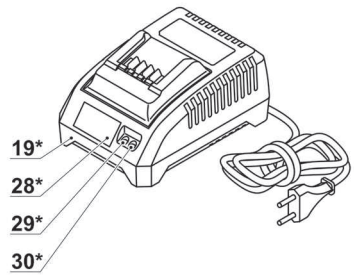


6

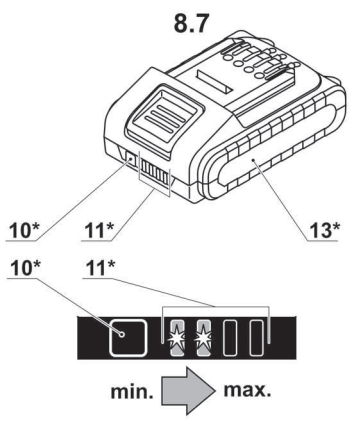
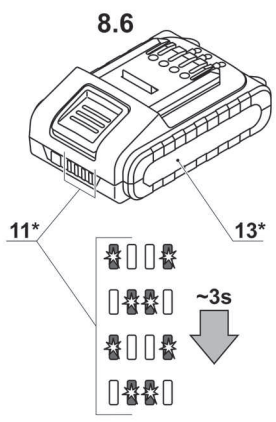
CT29003HX-2



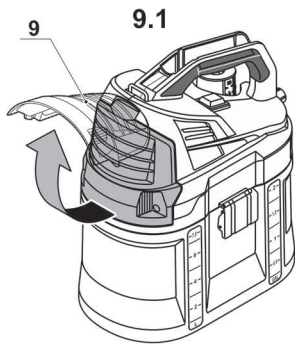
CT29003HX-2



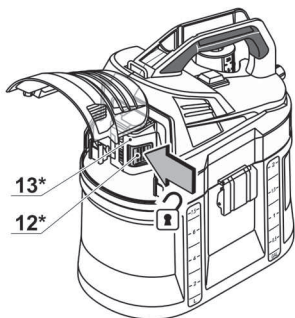
- 8.1
- 8.2
- 8.3
- 8.4
- 8.5



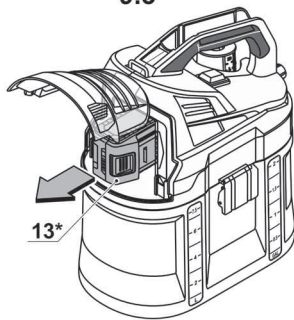
CT29003HX-4



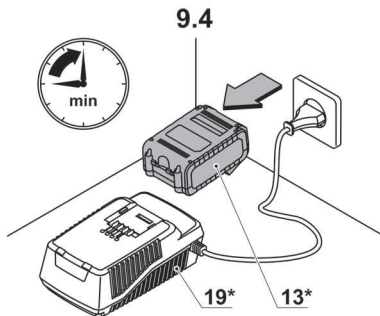
9.1



9.2



9.3



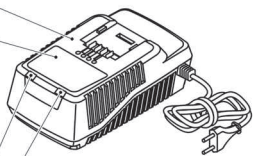
9.4

19*

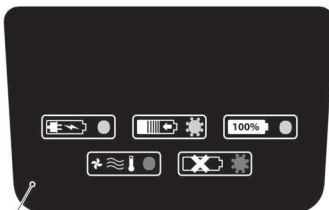
28*

30*

29*



CT29003HX-4



28*



10.1



10.2



10.3

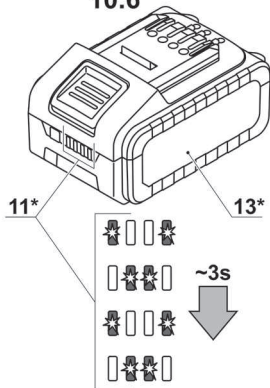


10.4



10.5

10.6

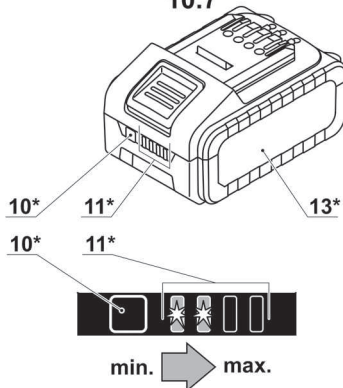


11*

13*

~3s

10.7



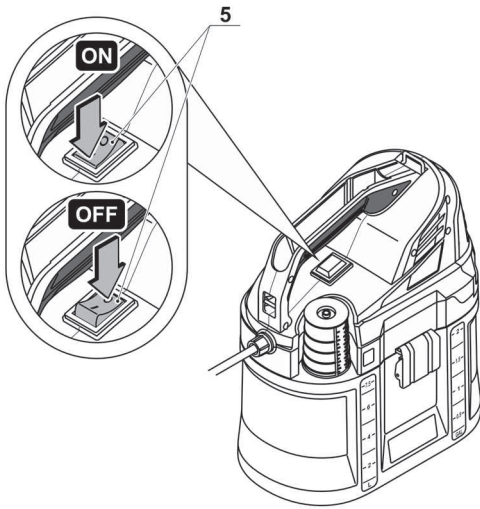
10*

11*

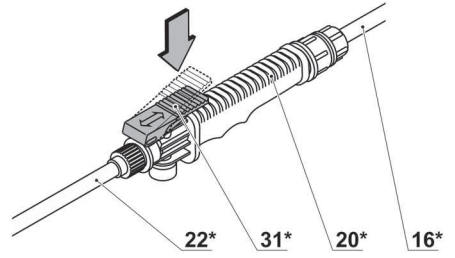
13*

min. → max.

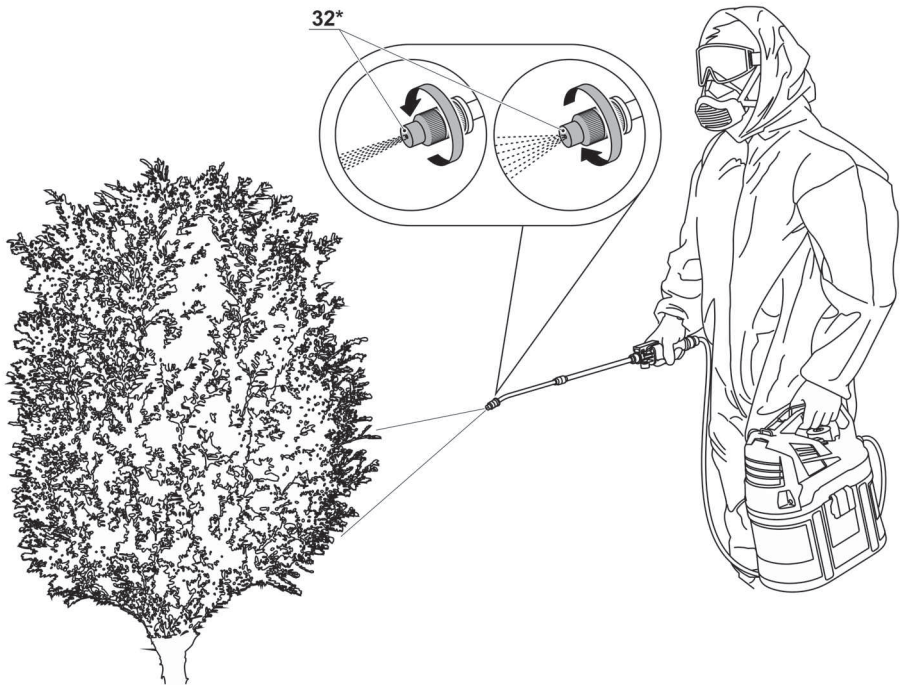
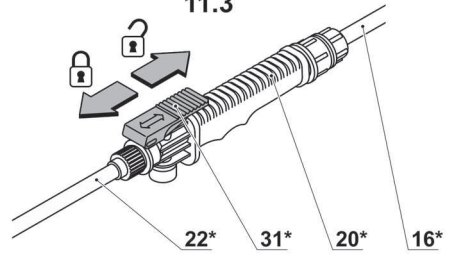
11.1

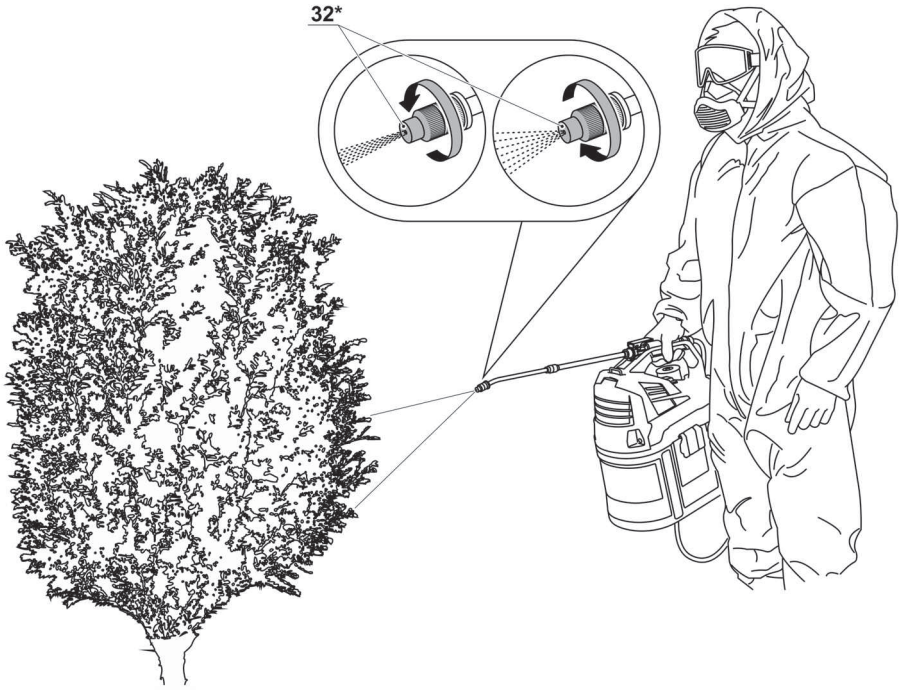


11.2



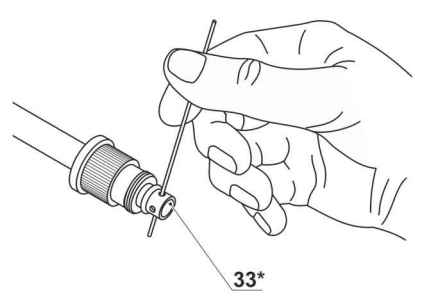
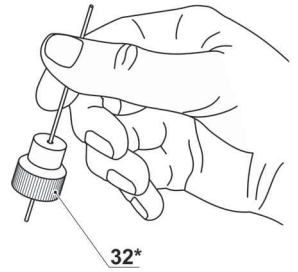
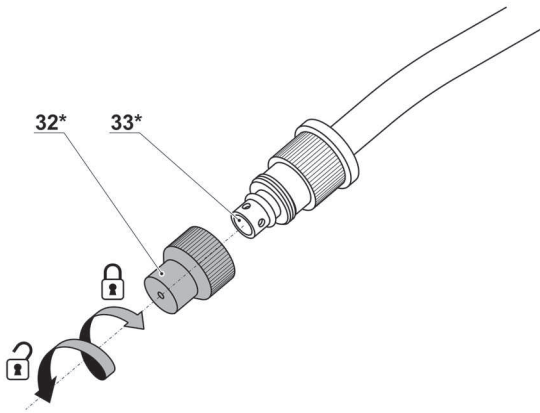
11.3





14.1

14.2



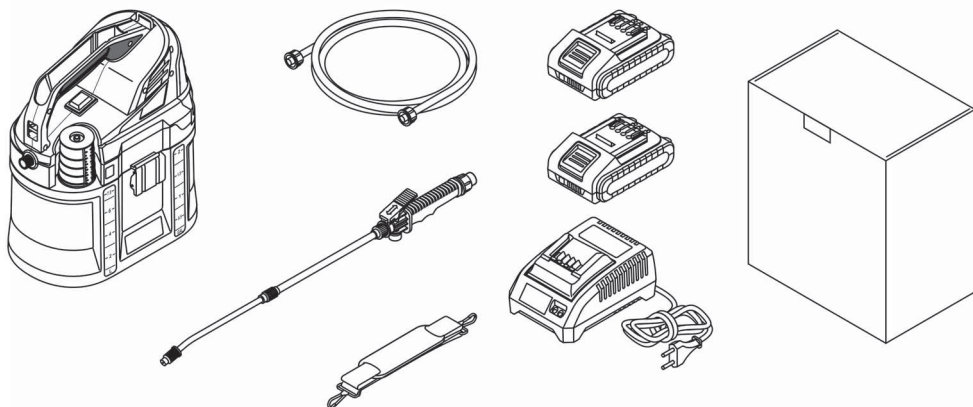
CT29003HX

EAN : 7640186246859



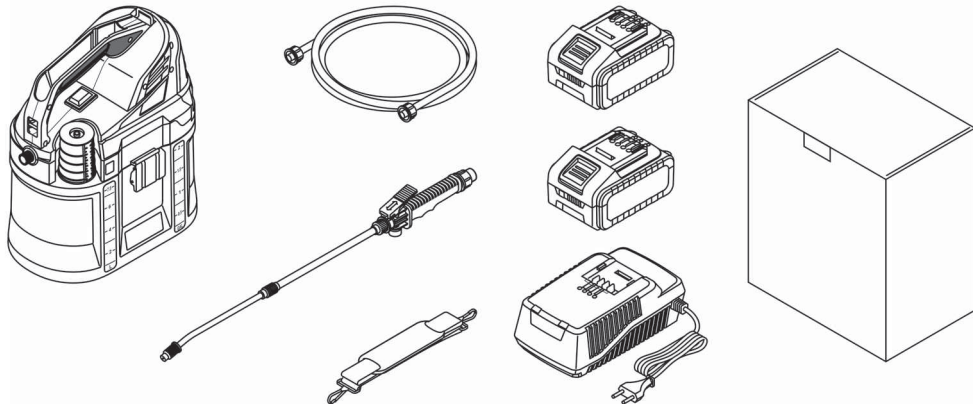
CT29003HX-2

EAN (220-240 V): 7640186246903



CT29003HX-4

EAN (220-240 V): 7640186246910



Power tool specifications

Cordless sprayer		CT29003HX-2	CT29003HX-4
Power tool code		see page 12	
Rated voltage	[V]	20 *	20 *
Battery type		Li-Ion	Li-Ion
Battery charging time	[min]	60	60
Battery capacity	[Ah]	2	4
Flow rate	[ml/min]	500	500
Max. pressure	[bar]	2	2
Nozzle Ø	[mm] [inches]	1,7 1/16"	1,7 1/16"
Reservoir capacity	[l]	7,5	7,5
Weight	[kg] [lb]	2,52 5.56	2,83 6.24
Safety class		III	III
Sound pressure	[dB(A)]	—	—
Acoustic power	[dB(A)]	—	—
Weighted vibration	[m/s ²]	—	—

* Maximum initial battery voltage (measured without workload) is 20 Volts. Nominal voltage is 18 Volts.

Noise information



Always wear ear protection if the sound pressure exceed 85 dB(A).



WARNING - To reduce the risk of injury, user must read instruction manual!

CE Declaration of conformity

We declare under our sole responsibility that the product described under "Power tool specifications" is in conformity with all relevant provisions of the directives 2006/42/ EC, 2014/30/EU including their amendments and complies with the following standards:

EN 60745-1:2009/A11:2010,
EN 50580:2012/A11:2013,
EN 55014-1:2017,
EN 55014-2:2015.

Certification manager

Wu Cunzhen

Merit Link International AG
Stabio, Switzerland, 28.07.2021

General safety rules



WARNING! Read all safety warnings, instructions, illustrations and specifications provided with this power tool. Failure to follow the warnings and instructions may result in electric shock, fire and / or serious injury.

Save all warnings and instructions for future reference.

The term "power tool" in the warnings refers to your mains-operated (corded) power tool or battery-operated (cordless) power tool.

Work area safety

- **Keep work area clean and well lit.** Cluttered or dark areas invite accidents.
- **Do not operate power tools in explosive atmospheres, such as in the presence of flammable liquids, gases or dust.** Power tools create sparks which may ignite the dust or fumes.

- **Keep children and bystanders away while operating a power tool.** Distractions can cause you to lose control.

Electrical safety

- **Power tool plugs must match the outlet. Never modify the plug in any way. Do not use any adapter plugs with earthed (grounded) power tools.** Unmodified plugs and matching outlets will reduce risk of electric shock.
- **Avoid body contact with earthed or grounded surfaces, such as pipes, radiators, ranges and refrigerators.** There is an increased risk of electric shock if your body is earthed or grounded.
- **Do not expose power tools to rain or wet conditions.** Water entering a power tool will increase the risk of electric shock.
- **Do not abuse the cord. Never use the cord for carrying, pulling or unplugging the power tool. Keep cord away from heat, oil, sharp edges or moving parts.** Damaged or entangled cords increase the risk of electric shock.
- **When operating a power tool outdoors, use an extension cord suitable for outdoor use.** Use of a cord suitable for outdoor use reduces the risk of electric shock.
- **If operating a power tool in a damp location is unavoidable, use a residual current device (RCD) protected supply.** Use of an RCD reduces the risk of electric shock. NOTE! The term "residual current device (RCD)" may be replaced by the term "ground fault circuit interrupter (GFCI)" or "earth leakage circuit breaker (ELCB)".
- **Warning!** Never touch the exposed metal surfaces on gearbox, shield, and so on because touching metal surfaces will be interfered with the electromagnetic wave, thus causing potential injury or accidents.

Personal safety

- **Stay alert, watch what you are doing and use common sense when operating a power tool. Do not use a power tool while you are tired or under the influence of drugs, alcohol or medication.** A moment of inattention while operating power tools may result in serious personal injury.
- **Use personal protective equipment. Always wear eye protection.** Protective equipment such as dust mask, non-skid safety shoes, hard hat, or hearing protection used for appropriate conditions will reduce personal injuries.
- **Prevent unintentional starting. Ensure the switch is in the off-position before connecting to power source and/or battery pack, picking up or carrying the tool.** Carrying power tools with your finger on the switch or energising power tools that have the switch on invites accidents.
- **Remove any adjusting key or wrench before turning the power tool on.** A wrench or a key left attached to a rotating part of the power tool may result in personal injury.
- **Do not overreach. Keep proper footing and balance at all times.** This enables better control of the power tool in unexpected situations.
- **Dress properly. Do not wear loose clothing or jewellery. Keep your hair, clothing and gloves away from moving parts.** Loose clothes, jewellery or long hair can be caught in moving parts.

- **If devices are provided for the connection of dust extraction and collection facilities, ensure these are connected and properly used.** Use of dust collection can reduce dust-related hazards.
- **Do not let familiarity gained from frequent use of tools allow you to become complacent and ignore tool safety principles.** A careless action can cause severe injury within a fraction of a second.
- **Warning!** Power tools can produce an electromagnetic field during operation. This field may under some circumstances interfere with active or passive medical implants. To reduce the risk of serious or fatal injury, we recommend persons with medical implants to consult their physician and the medical implant manufacturer before operating this power tool.

Power tool use and care

- The persons with lowered psychophysical or mental aptitudes as well as children can not operate the power tool, if they are not supervised or instructed about use of the power tool by a person responsible for their safety.
- **Do not force the power tool. Use the correct power tool for your application.** The correct power tool will do the job better and safer at the rate for which it was designed.
- **Do not use the power tool if the switch does not turn it on and off.** Any power tool that cannot be controlled with the switch is dangerous and must be repaired.
- **Disconnect the plug from the power source and/or the battery pack from the power tool before making any adjustments, changing accessories, or storing power tools.** Such preventive safety measures reduce the risk of starting the power tool accidentally.
- **Store idle power tools out of the reach of children and do not allow persons unfamiliar with the power tool or these instructions to operate the power tool.** Power tools are dangerous in the hands of untrained users.
- **Maintain power tools. Check for misalignment or binding of moving parts, breakage of parts and any other condition that may affect the power tool's operation.** If damaged, have the power tool repaired before use. Many accidents are caused by poorly maintained power tools.
- **Keep cutting tools sharp and clean.** Properly maintained cutting tools with sharp cutting edges are less likely to bind and are easier to control.
- **Use the power tool, accessories and tool bits etc. in accordance with these instructions, taking into account the working conditions and the work to be performed.** Use of the power tool for operations different from those intended could result in a hazardous situation.
- **Keep handles and grasping surfaces dry, clean and free from oil and grease.** Slippery handles and grasping surfaces do not allow for safe handling and control of the tool in unexpected situations.
- Note that when you operate a power tool, please hold the auxiliary handle correctly, which is helpful when controlling the power tool. Therefore, proper holding can reduce the risk of accidents or injuries.

Battery tool use and care

- **Recharge only with the charger specified by the manufacturer.** A charger that is suitable for one type

of battery pack may create a risk of fire when used with another battery pack.

- **Use power tools only with specifically designated battery packs.** Use of any other battery packs may create a risk of injury and fire.
- **When battery pack is not in use, keep it away from other metal objects, like paper clips, coins, keys, nails, screws or other small metal objects, that can make a connection from one terminal to another.** Shorting the battery terminals together may cause burns or a fire.
- **Under abusive conditions, liquid may be ejected from the battery; avoid contact. If contact accidentally occurs, flush with water. If liquid contacts eyes, additionally seek medical help.** Liquid ejected from the battery may cause irritation or burns.
- **Avoid unintentional switching on. Ensure the on / off switch is in the off position before inserting battery pack.** Carrying the power tool with your finger on the on / off switch or inserting the battery pack into power tools that have the switch in accidents.
- **Do not open the battery.** Danger of circuit.
- **In case of damage and improper use of the battery, vapors may be emitted. Provide for fresh air and seek medical help in case of complaints.** The vapors can irritate the respiratory system.
- **When the battery is defective, liquid can escape and come into contact with adjacent components.** Check any parts concerned. Clean such parts or replace them, if required.
- **Protect the battery against heat, e.g., also against continuous sun irradiation and fire.** There is danger of explosion.



WARNING! Read all safety warnings and all instructions.

- **Protect the battery charger from rain and moisture.** The penetration of water in a battery charger increases the risk of electric shock.
- **Do not charge other batteries.** The battery charger is suitable only for charging lithium ion batteries within the listed voltage range. Otherwise there is danger of fire and explosion.
- **Keep the battery charger clean.** Contamination may cause the danger of electric shock.
- **Check the battery charger, cable and plug each time before using. Do not use the battery charger when defects are detected. Do not open the battery charger yourself and have it repaired only by qualified personnel using original spare parts.** Damaged battery chargers, cables and plugs increase the risk of electric shock.
- **Do not operate the battery charger on easily inflammable surfaces (e.g. , paper , textiles , etc.) or in combustible environments.** There is danger of fire due to the heating of the battery charger during charging.

Service

- **Have your power tool serviced by a qualified repair person using only identical replacement parts.** This will ensure that the safety of the power tool is maintained.
- Follow instruction for lubricating and changing accessories.

Safety guidelines during power tool operation

Before starting work



Do not spray substances that may damage the power tool. As a result, if the power tool is damaged, you will void your warranty.

- Please read the manufacturer's instructions for the substances you intend to spray carefully to have a good understanding of their toxicity and the procedures to handle them.
- Follow the recommendations for spray residue dilution, storage, and disposal carefully. The wrong choice of chemicals or the wrong proportions in the solution preparation can damage crops and be hazardous to health.
- If you intend to spray toxic substances, mix the solution outdoors, away from the residential facilities, animal stables, food, and animal feed stores.
- It is strictly forbidden to spray the following types of substances:
 - flammable substances (gasoline, solvents, etc.) - this can cause a fire or explosion;
 - corrosive substances (acids, alkalis, etc.) - this can damage the power tool parts;
 - dense substances (paints, oils, etc.);
 - food products.
- Do not spray liquids that are hotter than the ambient temperature.
- When filling the tank with water, never immerse the hose end or water tap in the tank.

While operation

- The power tool must be operated only by the persons who have been instructed to use it correctly or who can demonstrate that the tool can be used correctly.
- The use of power tools by children or adolescents is strictly prohibited.
- There should be no bystanders or animals within 10 meters from the person using the power tool. When bystanders or animals approach, you must stop spraying.
- Take special care when working in greenhouses, ensure adequate ventilation.
- When spraying hazardous substances, to prevent inhalation or contact with them, be sure to use personal protective equipment (it is recommended to use protective coveralls with a hood, goggles, face shield, gloves, and closed shoes). In case of chemicals contact with your skin, wash it immediately with soap and running water. In case of chemicals contact with your eyes, rinse immediately with plenty of running water. If irritation persists, seek medical attention immediately.
- When working, it is strictly forbidden to eat, drink or smoke - you can inhale or swallow particles of the sprayed substance, which can cause allergic reactions, poisoning, and even death.
- Do not direct the spray towards yourself, other persons, or animals.
- Consider the wind direction when working, and stand in such a way that the wind does not carry the sprayed substance onto you. Do not work in strong wind.
- It is forbidden to work in the rain or leave the power tool in the rain or snow.

- It should be borne in mind that while operating, the surrounding air is filled with "fog". It consists of small droplets of the sprayed substance, which subsequently settles on the surrounding surfaces. It is necessary to cover the surfaces on which the deposition of "fog" is undesirable. When working outdoors, the "fog" is exposed to the influence of the wind. This can lead to negative consequences (harm to health, environmental pollution).
- Do not operate the power tool if there is no fluid in the reservoir. This will cause rapid wear of the power tool parts.
- If it is necessary to transport the power tool while operating, be sure to check the tank cap tightness, and secure the power tool in an upright position to prevent it from tipping over.



If you felt a headache, dizziness, etc. while operating, stop working immediately and consult a doctor. Also, tell the physician the name of the chemical used and the circumstances of the work.

After finishing work

- After each use, be sure to rinse the tank and the spray atomizer as described below. Failure to do so may result in power tool damage, in which case you will void your right to warranty repairs.
- Dispose of spray residues strictly following the manufacturer's recommendations.
- After rinsing the tank, water should be drained to the places from which it cannot get into water bodies or groundwaters.
- After finishing work, wash your hands thoroughly, wash yourself and rinse your throat. It is also recommended to change clothes.

Symbols used in the manual

Following symbols are used in the operation manual, please remember their meanings. Correct interpretation of the symbols will allow correct and safe use of the power tool.

Symbol	Meaning
	Read all safety regulations and instructions.
	Wear safety goggles.
	Wear a respirator.
	Wear a protective cloth.
	Wear protective gloves.
	Do not work in rain.
	Do not heat the battery above 45°C. Protect from prolonged exposure to direct sunlight.
	Do not dispose of the battery in a domestic waste container.
	Do not dispose of the battery in the fire.
	Protect the battery from the rain.
	Battery charging time.
	Movement direction.
	Rotation direction.
	Locked.
	Unlocked.

Symbol

Meaning

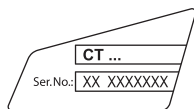






Cordless sprayer

Sections marked gray - soft grip (with insulated surface).

Serial number sticker:

CT ... - model;
XX - date of manufacture;
XXXXXXX - serial number.



Symbol	Meaning
III	Protection class.
	Attention. Important.
	A sign certifying that the product complies with essential requirements of the EU directives and harmonized EU standards.
	Useful information.
	Do not dispose of the power tool in a domestic waste container.

Power tool designation

The cordless sprayer is designed for spraying liquid substances - water, pesticides, liquid fertilizers, etc.

Power tool components

- 1 Belt clip
- 2 Sprayer top (assembled)
- 3 Ventilation slots
- 4 Handle
- 5 On / off switch
- 6 Tank cap and measuring cup
- 7 Inlet connector
- 8 Tank
- 9 Battery cover
- 10 Control button of the state of battery charge *
- 11 Indicators of the state of battery charge *
- 12 Battery lock *
- 13 Battery *
- 14 Latch
- 15 Scale
- 16 Hose (assembled) *
- 17 Spray atomizer (assembled) *
- 18 Carrying belt *
- 19 Charger *
- 20 Spray atomizer body *
- 21 O-ring *
- 22 Straight tube *
- 23 Curved tube nut *
- 24 Curved tube *
- 25 Threaded fitting *
- 26 Hose nut *
- 27 Funnel *
- 28 Label *
- 29 Indicator (red) *
- 30 Indicator (green) *
- 31 Trigger lever *
- 32 Nozzle *
- 33 Spray atomizer head *

* Optional extra

Not all of the accessories illustrated or described are included as standard delivery.

Installation and regulation of power tool elements

Before carrying out any works on the power tool remove the battery 13.



Do not draw up the fastening elements too tight to avoid damaging the thread.



Mounting / dismantling / setting-up of some elements is the same for all power tool models, in this case specific models are not indicated in the illustration.

Assembly / disassembly / adjustment of the spray atomizer length (see fig. 1)

- Figure 1 shows how to assemble and disassemble the spray atomizer 17. **Caution: follow the sequence of parts installation and make sure that the O-rings are not deformed during assembly.**
- You can adjust the spray atomizer length by pushing the curved tube 24 in or out. To do this, loosen the nut 23, move the curved tube 24 and tighten the nut 23 (see fig. 1.2).

Hose connection (see fig. 2)

- Connect the hose 16 to the spray atomizer body 20 as shown in figure 2.1.
- Connect the hose 16 to the sprayer top 2 to the inlet connector 7, as shown in figure 2.2.

Spray atomizer usage (see fig. 3, 11-12)

- Fig. 3 shows the options for using the spray atomizer 17:
 - fig. 3.1 and 12 - the spray atomizer 17 is held with one hand, while the power tool is held with the other hand, hangs on the shoulder or the belt 18, or stands on the ground. This method is suitable for spraying large areas, when spraying tall branches, working from stairs, etc.;
 - fig. 3.2 and 13 - the spray atomizer 17 is installed in the handle 4, the power tool is held with one hand. This method is suitable for fast processing of large areas, in cases where it is not necessary to raise the spray atomizer 17.

Carrying belt (see fig. 4)

Fig. 4 shows how to install the carrying belt 18.

Filling the tank (see fig. 5-6)



Caution: before filling tank 8, always remove the sprayer top 2.

- Open the latches 14 (see fig. 5.1).
- Remove the sprayer top 2 (see fig. 5.2).
- Unscrew the cap 6 (see fig. 6.1).
- Insert the funnel 27 (not included in the delivery set) into the neck of tank 8.

- It is recommended to prepare the solution for spraying in a special container and then pour it into the tank **8**. In this case, it is possible to mix it better. However, it is allowed to prepare the solution for spraying directly in the tank **8**:

- fill the tank **8** with water (you can see the volume of the filled water on the scale **15**);
- the cap **6** is marked and can be used as a measuring cup. Pour the chemical into the cap **6** and add it to the tank **8** (see fig. 6.2). **Caution: observe the recommended proportions when preparing the solution.**
- Screw the cap **6** onto the neck of the tank **8**, install the sprayer top **2**, and close the latches **14**.
- Holding the power tool in an upright position with one hand on the handle **4**, and with the other hand on the bottom of the tank **8**, shake the power tool several times to mix the solution for spraying.

Charging procedure of the power tool battery

Initial operating of the power tool

The power tool is supplied with a partially charged battery 13. Before the first use, the battery 13 must be fully charged.

Charging process (see fig. 7, 9)

- Open the battery cover **9** (see fig. 7.1, 9.1).
- Press the battery lock **12** and remove the battery **13** (see fig. 7.2-7.3, 9.2-9.3).
- Connect the charger **19** to the power supply.
- Insert battery **13** into charger **19** (see fig. 7.4, 9.4).
- Disconnect the charger **19** from power supply after charging.
- Remove the battery **13** from the charger **19**. Insert the battery **13** into the power tool, then close the cover **9**.

Charger indicators (see fig. 8, 10)

Charger indicators **29** and **30** inform of the battery **13** charging process. Signals of the indicators **29** and **30** are shown on the label **28** (see fig. 8, 10).

- Fig. 8.1, 10.1 - (the green indicator **30** is on, the battery **13** is not inserted in the charger **19**) - the charger **19** is connected to the power network (ready for charging).
- Fig. 8.2, 10.2 - (the green indicator **30** is blinking, the battery **13** is inserted in the charger **19**) - the battery **13** is being charged.
- Fig. 8.3, 10.3 - (the green indicator **30** is on, the battery **13** is inserted in the charger **19**) - the battery **13** is fully charged.
- Fig. 8.4, 10.4 - (the red indicator **29** is on, the battery **13** is inserted in the charger **19**) - the charging process of the battery **13** is terminated due to inappropriate temperature. When the temperature conditions are normal, the process of charging will resume.
- Fig. 8.5, 10.5 - (the red indicator **29** is blinking, the battery **13** is inserted in the charger **19**) - the charging process of the battery **13** is terminated because of its failure. Replace the faulty battery **13**, its further use is prohibited.



In the process of charging the battery 13 and the charger 19 become hot, it is a normal process.

Switching the power tool on / off

Short-term switching on / off

Switching on:

- To turn on the power tool, move the on / off switch **5** to the "ON" position (see fig. 11.1).
- To start spraying, press and hold the trigger **31** in this position (see fig. 11.1).

Switching off:

- To stop spraying, release the trigger **31** (see fig. 11.2).
- To turn off the power tool, move the on / off switch **5** to the "OFF" position (see fig. 11.1).

Long-term switching on / off

Switching on:

- To turn on the power tool, move the on / off switch **5** to the "ON" position (see fig. 11.1).
- To start spraying, press and hold the trigger **31** in this position (see fig. 11.1). Move the trigger **31** forward to fix it in the pressed position (see fig. 11.3).

Switching off:

- To stop spraying move the trigger **31** back and release it (see fig. 11.3).
- To turn off the power tool, move the on / off switch **5** to the "OFF" position (see fig. 11.1).

Design features of the power tool

Temperature protection (see fig. 8.6, 10.6)

The temperature protection system enables to automatically deactivate the power tool in case of excess load or when the temperature of the battery **13** is exceeding 80°C. The system guarantees protection of the power tool from damage in case of noncompliance with the operation conditions.

When this protection system is activated indicators **11** will blink as shown onto fig. 8.6, 10.6 during 3 seconds.

Overheating protection (see fig. 8.6, 10.6)

Overheating protection system of the engine automatically switches off the power tool in case of overheating. In this situation, let the tool cool before turning the power tool on again.

When this protection system is activated indicators **11** will blink as shown onto fig. 8.6, 10.6 during 3 seconds.

Overload protection (see fig. 8.6, 10.6)

Overload protection system of the engine automatically switches off the power tool when it is operated in a manner that causes it to draw an abnormally high current.

When this protection system is activated indicators **11** will blink as shown onto fig. 8.6, 10.6 during 3 seconds.

Overdischarge protection

The battery **13** is protected by the safety system against deep discharge. In case of complete discharge, the power tool is automatically switched off. **Attention: do not try to switch on the power tool when the protection system is activated the battery **13** can be damaged.**

Indicators of the state of battery charge (see fig. 8.7, 10.7)

With the push of the button **10** the indicators **11** show the state of charge of the battery **13** (see fig. 8.7, 10.7).

Carrying belt (see fig. 4)

For easy transportation, as well as for greater mobility while working, use the carrying belt **18**. Attach the belt **18** to the fasteners **1** (see fig. 4). If necessary, adjust the length of the belt **18** so that it is comfortable for you to carry the power tool.

Adjustment of the spray swath shape (see fig. 12, 13)

The spray swath shape can be adjusted by turning the spray atomizer head **32** (see fig. 12, 13).

Recommendations on the power tool operation



Caution: The solution for spraying must have the consistency of water, do not spray more dense substances, this may damage the power tool.

- Prepare the solution for spraying and fill the tank **8**.
- Adjust the length of the curved tube **24**.
- Turn on the power tool and start spraying. Adjust the spray swath shape, if necessary.
- If the solution is sprayed unevenly while in operation, check the volume of liquid in the tank **8**. Add it, if necessary. It is also possible that the hole of the nozzle **32** or the holes in the spray atomizer head **33** are clogged, if necessary, clean them as described below.
- After finishing work, turn off the power tool and disconnect the sprayer top **2**. Drain the remaining solution from the tank **8**, and rinse the cap **6**, tank **8**, hose **16**, spray atomizer **17** thoroughly, as described below.

Power tool maintenance / preventive measures

Before carrying out any works on the power tool remove the battery **13.**

Battery maintenance instruction

- Charge timely before the battery **13** is completely exhausted. Stop operation in low power and charge it immediately.
- Do not overcharge when the battery **13** is full, otherwise it will shorten the life time.

- Charge battery **13** in the room temperature of 10°C to 40°C (50°F to 104°F).
- Charge battery **13** every 6 months without operation for a long time.
- Replace worn out batteries in time. Decline of production or a significantly shorter runtime of the power tool after charging indicates aging of the battery **13** and the need for replacement. It should be taken into account that the battery **13** may discharge faster if the works take place in the temperature below 0°C.
- In case of long time storage without use, it is recommended to store the battery **13** at room temperature, it should be charged to 50%.

Cleaning of the power tool (see fig. 5-6, 14)



Caution: it is strictly forbidden to leave and store the solution for spraying in the tank, and also not to rinse the power tool parts after each use, this may cause damage to the power tool, in which case you will void the right to warranty repairs.

- After finishing work, turn off the power tool.
- Disconnect the sprayer top **2** (see fig. 5).
- Unscrew the cap **6** (see fig. 6) and rinse it and the tank **8** thoroughly with running water.
- Fill the tank **8** with water (2 liters approximately), close the cap **6**, install the sprayer top **2**, and turn on the power tool.
- Spray clean water to rinse the power tool pump, the hose **16**, and the spray atomizer **17**. Remember, the sprayed water contains the chemical that you sprayed before, take precautions.
- If necessary, you can unscrew the nozzle **32** and clean the hole in it, as well as the holes in the spray atomizer head **33** with a wire of suitable diameter (see fig. 14). **Caution: do not use steel wire, needles, drills, etc. for this procedure - you can damage the nozzle **32** or the spray atomizer head **33**.**
- Rinse all used accessories with running water - containers for mixing the solution, the funnel **27**, etc.
- An indispensable condition for a safe long-term exploitation of the power tool is to keep it clean. Regularly flush the power tool with compressed air through the ventilation slots **3**.

After-sales service and application service

Our after-sales service responds to your questions concerning maintenance and repair of your product as well as spare parts. Information about service centers, parts diagrams and information about spare parts can also be found under: www.crown-tools.com.

Transportation of the power tools

- Categorically not to drop any mechanical impact on the packaging during transport.
- When unloading / loading is not allowed to use any kind of technology that works on the principle of clamping packaging.

Li-Ion batteries

The contained Li-Ion batteries are subject to the Dangerous Goods Legislation requirements. The user can

transport the batteries by road without further requirements.

When being transported by third parties (e.g.: air transport or forwarding agency), special requirements on packaging and labelling must be observed. For preparation of the item being shipped, consulting an expert for hazardous material is required.

Dispatch batteries only when the housing is undamaged. Tape or mask off open contacts and pack up the battery in such a manner that it cannot move around in the packaging. Please also observe possibly more detailed national regulations.

Environmental protection



Recycle raw materials instead of disposing as waste.

Power tool, accessories and packaging should be sorted for environment-friendly recycling.

The plastic components are labelled for categorized recycling.

These instructions are printed on recycled paper manufactured without chlorine.

The manufacturer reserves the possibility to introduce changes.

English

Especificaciones de la herramienta eléctrica

Pulverizador inalámbrico		CT29003HX-2	CT29003HX-4
Código de la herramienta eléctrica		consulte las página 12	
Tensión de la batería	[V]	20 *	20 *
Tipo de batería		Li-Ion	Li-Ion
Tiempo de carga de la batería	[min]	60	60
Capacidad de la batería	[Ah]	2	4
Velocidad de flujo	[ml/min]	500	500
Presión máxima	[bar]	2	2
Ø de la boquilla	[mm]	1,7	1,7
	[pulgadas]	1/16"	1/16"
Capacidad del tanque	[l]	7,5	7,5
Peso	[kg]	2,52	2,83
	[lb]	5.56	6.24
Clases de protección		III	III
Presión acústica	[dB(A)]	—	—
Potencia acústica	[dB(A)]	—	—
Vibración ponderada	[m/s ²]	—	—

* La tensión inicial máxima de la batería (medida sin carga de trabajo) es de 20 Voltios. La tensión nominal es de 18 Voltios.

Información sobre ruidos



Tome medidas adecuadas para proteger sus oídos cuando la presión acústica exceda el valor de 85 dB(A).



ADVERTENCIA - ¡Para reducir el riesgo de lesiones, el usuario debe leer el manual de instrucciones!

CE Declaración de conformidad

Declaramos bajo nuestra exclusiva responsabilidad, que el producto descrito en los "Especificaciones de la herramienta eléctrica" cumple con todas las disposiciones correspondientes de las directivas 2006/42/ EC, 2014/30/EU inclusive sus modificaciones y esta en conformidad con las siguientes normas: EN 60745-1:2009/A11:2010, EN 50580:2012/A11:2013, EN 55014-1:2017, EN 55014-2:2015.

Gerente de certificación

Wu Cunzhen

Wu Cunzhen

Merit Link International AG
Stabio, Suiza, 28.07.2021

Reglas de seguridad generales



¡ADVERTENCIA! Lea todas las advertencias de seguridad, las instrucciones y especificaciones suministrados con esta herramienta eléctrica. El incumplimiento de las advertencias e instrucciones puede provocar una descarga eléctrica, incendio y / o lesiones graves.

Conservar todas las advertencias e instrucciones para referencia en el futuro.

El término "herramienta eléctrica" en las advertencias se refiere a su herramienta eléctrica accionada por la red eléctrica (con cable) o a una herramienta eléctrica accionada por batería (inalámbrica).

Seguridad en el área de trabajo

- Mantenga el área de trabajo limpia y bien iluminada. Las áreas desordenadas u oscuras dan lugar a accidentes.

Español

- **No utilice herramientas eléctricas en atmósferas explosivas, como en presencia de líquidos inflamables, gases o polvo.** Las herramientas eléctricas crean chispas que pueden encender el polvo o los vapores.
- **Mantenga alejados a los niños y espectadores mientras maneja una herramienta eléctrica.** Las distracciones pueden hacer que pierda el control.

Seguridad frente a la electricidad

- **El enchufe macho de conexión, debe ser conectado solamente a un enchufe hembra de las características técnicas del enchufe macho en materia.** Nunca modifique el enchufe de ninguna manera. No utilice enchufes adaptadores con herramientas eléctricas conectadas a tierra. Los enchufes no modificados y los tomacorrientes correspondientes reducirán el riesgo de descarga eléctrica.
- **Evite el contacto del cuerpo con superficies conectadas a tierra, tales como tuberías, radiadores, estufas y refrigeradores.** Existe un mayor riesgo de descarga eléctrica si su cuerpo tiene descarga a tierra.
- **No exponga las herramientas eléctricas a la lluvia o a condiciones húmedas.** Si entra agua a una herramienta eléctrica aumentará el riesgo de descarga eléctrica.
- **No abuse del cable.** Nunca use el cable para transportar, tirar o desenchufar la herramienta eléctrica. Mantenga el cable alejado de calor, aceite, bordes afilados o partes móviles. Los cables dañados o enredados aumentan el riesgo de descarga eléctrica.
- **Si el cable de alimentación está dañado, debe ser sustituido por el fabricante, por su servicio posventa o por personal cualificado similar con el fin de evitar un peligro.**
- **Cuando utilice una herramienta eléctrica al aire libre, utilice un alargue adecuado para uso en exteriores.** El uso de un cable adecuado para uso en exteriores reduce el riesgo de descarga eléctrica.
- **Si el uso de una herramienta eléctrica en una ubicación húmeda es inevitable, utilice un suministro protegido de dispositivo de corriente residual (RCD).** El uso de un RCD reduce el riesgo de descarga eléctrica. ¡NOTA! El término "dispositivo de corriente residual (RCD)" puede sustituirse por el término "interruptor de circuito de falla a tierra (GFCI)" o "disyuntor de fuga a tierra (ELCB)".
- **¡Advertencia!** Nunca toque las superficies metálicas expuestas en la caja de velocidades, el protector, etc., porque si se tocan las superficies metálicas se verán afectadas por la onda electromagnética y se causarán lesiones o accidentes potenciales.

Seguridad personal

- **Manténgase alerta, observe lo que está haciendo y use el sentido común cuando opere una herramienta eléctrica.** No use una herramienta eléctrica si está cansado o bajo la influencia de drogas, alcohol o medicamentos. Un momento de inatención al operar herramientas eléctricas puede producir lesiones personales graves.
- **Use equipo de protección personal. Siempre lleve protección ocular.** Equipos de protección como máscaras antipolvo, zapatos de seguridad antideslizantes o protección auditiva usados para condiciones apropiadas reducirán las lesiones personales.
- **Evite el arranque involuntario. Asegúrese de que el interruptor esté en la posición de apagado antes de conectar la fuente de alimentación y / o el bloque de baterías, recoger o transportar la herra-**

- menta.** Llevar las herramientas eléctricas con el dedo en el interruptor o conectar las herramientas eléctricas con el interruptor en encendido da lugar a accidentes.
- **Saque cualquier llave de ajuste o llave de tuerca antes de encender la herramienta eléctrica.** Si se deja una llave de ajuste o llave de tuercas unida a una parte giratoria de la herramienta eléctrica se pueden producir lesiones personales.
- **No adopte una postura forzada. Mantenga la postura y el equilibrio en todo momento.** Esto permite un mejor control de la herramienta eléctrica en situaciones inesperadas.
- **Use ropa adecuada. No use prendas sueltas o joyas.** Mantenga el cabello, la ropa y los guantes alejados de las partes móviles. La ropa suelta, las joyas o el pelo largo pueden quedar atrapados en las partes móviles.
- **Si se proporcionan dispositivos para la conexión de las instalaciones de extracción y recolección de polvo, asegúrese de que se conecten y utilicen correctamente.** El uso del dispositivo para la recolección de polvo puede reducir los peligros relacionados con el polvo.
- **No deje que la familiaridad obtenida con el uso frecuente de herramientas le permita ser complaciente e ignorar los principios de seguridad de las herramientas.** Una acción descuidada puede causar lesiones graves en una fracción de segundo.
- **¡Advertencia!** Las herramientas eléctricas pueden producir un campo electromagnético durante el funcionamiento. Este campo puede interferir en algunas circunstancias con los implantes médicos activos o pasivos. Para reducir el riesgo de lesiones graves o mortales, recomendamos a las personas con implantes médicos consultar a su médico y al fabricante de implantes médicos antes de operar esta herramienta eléctrica.

Uso y cuidado de la herramienta eléctrica

- Las personas con aptitudes psicofísicas o mentales disminuidas, así como los niños no pueden operar la herramienta eléctrica, si no son supervisados o instruidos sobre el uso de la herramienta eléctrica por una persona responsable de su seguridad.
- **No fuerce la herramienta eléctrica. Utilice la herramienta eléctrica adecuada para su aplicación.** La herramienta eléctrica correcta hará el trabajo mejor y más seguro a la velocidad para la que fue diseñada.
- **No utilice la herramienta eléctrica si el interruptor no la enciende y apaga.** Cualquier herramienta eléctrica que no pueda ser controlada con el interruptor es peligrosa y debe ser reparada.
- **Desconecte el enchufe de la fuente de alimentación y / o la batería de la herramienta eléctrica antes de realizar cualquier ajuste, cambiar accesorios o guardarla.** Estas medidas preventivas de seguridad reducen el riesgo de arrancar la herramienta accidentalmente.
- **Guarde las herramientas eléctricas inactivas fuera del alcance de los niños y no permita que las personas que no estén familiarizadas con la herramienta eléctrica o estas instrucciones la utilicen.** Las herramientas eléctricas son peligrosas en manos de usuarios inexpertos.
- **Mantenimiento de las herramientas eléctricas** Compruebe si la herramienta está desalineada, si las piezas móviles están atascadas, si hay piezas rotas o cualquier otra condición que pueda afectar el funcionamiento de la herramienta eléctrica. Si está dañada, haga reparar la herramienta eléctrica antes de usarla. Muchos accidentes son causados

por el mantenimiento deficiente de las herramientas eléctricas.

- **Mantenga las herramientas de corte, afiladas y limpias.** Las herramientas de corte adecuadamente mantenidas con bordes afilados son menos propensas a empastarse y más fáciles de controlar.
- **Utilice la herramienta eléctrica, los accesorios y las brocas de las herramientas, etc. de acuerdo con estas instrucciones, teniendo en cuenta las condiciones de trabajo y el trabajo a realizar.** El uso de la herramienta eléctrica para operaciones diferentes de las previstas podría producir una situación peligrosa.
- **Mantenga las manijas y las superficies de agarre secas, limpias y libres de aceite y grasa.** Las manijas y las superficies de agarre resbaladizas no permiten un manejo y un control seguros de la herramienta en situaciones inesperadas.
- Tenga en cuenta que cuando utilice una herramienta eléctrica debe sostener la manija auxiliar correctamente, esto es útil para controlar la herramienta eléctrica. Por lo tanto, sostenerla de manera adecuada puede reducir el riesgo de accidentes o lesiones.

Uso y cuidado de la herramienta a batería

- **Recargue sólo con el cargador especificado por el fabricante.** Un cargador adecuado para un tipo de bloque de baterías puede crear un riesgo de incendio cuando se utiliza con otro bloque de batería.
- **Utilizar las herramientas eléctricas únicamente con los bloques de baterías específicamente designados.** El uso de otros bloques de baterías puede crear un riesgo de lesiones y fuego.
- **Cuando el bloque de baterías no esté en uso, mantenerlo alejado de otros objetos metálicos, como clips de papel, monedas, claves, clavos, tornillos u otros objetos metálicos pequeños que puedan establecer una conexión de un terminal al otro.** El cortocircuito de los terminales de la batería puede causar quemaduras o un incendio.
- **Bajo condiciones abusivas, se puede expulsar líquido de la batería; evite el contacto. En caso de contacto accidental, enjuagar con agua. Si el líquido entra en contacto con los ojos, busque ayuda médica.** El líquido expulsado de la batería puede causar irritación o quemaduras.
- **Evitar encendidos involuntarios. Asegurarse de que el interruptor de encendido / apagado esté en la posición de apagado antes de insertar el bloque de baterías.** Llevar las herramientas eléctricas con el dedo en el interruptor encendido / apagado o insertar el bloque de baterías en las herramientas eléctricas con el interruptor en encendido da lugar a accidentes.
- **No abrir las baterías.** Peligros del circuito.
- **En caso de daños y uso indebido de la batería, pueden emitirse vapores. Proporcionar aire fresco y buscar ayuda médica en caso de quejas.** Los vapores pueden irritar el sistema respiratorio.
- **Cuando la batería esté defectuosa, el líquido puede escapar y entrar en contacto con componentes adyacentes.** Revisar las piezas correspondientes. Limpiar dichas piezas o reemplazarlas si es necesario.
- **Proteger la batería contra el calor, por ejemplo, también contra la irradiación solar continua y el fuego.** Existe peligro de explosión.



¡ADVERTENCIA! Leer todas las instrucciones y advertencias de seguridad.

- **Proteger el cargador de batería de la lluvia y la humedad.** La penetración de agua en un cargador de batería aumenta el riesgo de descarga eléctrica.
- **No cargar otras baterías.** El cargador de batería sólo es adecuado para cargar baterías de iones de litio dentro del rango de tensión indicado. De lo contrario, existe peligro de incendios y explosión.
- **Mantener el cargador de batería limpio.** La contaminación puede causar peligro de descarga eléctrica.
- **Revisar el cargador de la batería, el cable y el enchufe siempre antes de usarlos. No utilizar el cargador de batería cuando se detecten defectos. No abrir el cargador de baterías por su cuenta, hacer que se repare sólo por personal calificado que utilice repuestos originales.** Los cargadores, los cables y los enchufes dañados aumentan el riesgo de descarga eléctrica.
- **No utilizar el cargador de baterías en superficies fácilmente inflamables (por ejemplo, papel, textiles, etc.) o en ambientes combustibles.** Existe peligro de incendio debido al calentamiento del cargador durante la carga.

Servicio

- **Haga reparar su herramienta eléctrica por personal de reparación calificado que use solamente piezas de repuesto idénticas.** Esto asegurará que se mantenga la seguridad de la herramienta eléctrica.
- **Siga las instrucciones para lubricar y cambiar los accesorios.**

Guías de seguridad durante el funcionamiento de la herramienta eléctrica

Antes de comenzar a trabajar



No rocíe sustancias que puedan dañar la herramienta eléctrica. Como resultado, si se daña la herramienta eléctrica, anulará su garantía.

- Lea con atención las instrucciones del fabricante para las sustancias que pretenda rociar, para entender bien su toxicidad y los procedimientos al manipularlas.
- **Siga las recomendaciones atentamente para la dilución de los residuos de la pulverización, almacenamiento y desecho.** Una mala elección de los químicos o el error en las proporciones para la preparación de la solución puede dañar los cultivos y ser peligroso para la salud.
- Si pretende rociar sustancias tóxicas, prepare la solución al aire libre, lejos de las instalaciones residenciales, establos, alimentos y tiendas de alimentos para animales.
- **Se prohíbe estrictamente rociar los siguientes tipos de sustancias:**
 - sustancias inflamables (gasolina, solventes, etc.) - pueden causar un incendio o explosión;
 - sustancias corrosivas (ácidos, álcali, etc.) - pueden dañar las piezas de la herramienta eléctrica;
 - sustancias densas (pinturas, aceites, etc.);
 - productos alimenticios.
- **No rociar líquidos que superen la temperatura ambiente.**
- **Al llenar el tanque con agua, nunca sumerja el extremo de la manguera o la canilla de agua en el tanque.**

Durante el uso

- Solo las personas que hayan recibido capacitación sobre el uso correcto o que puedan demostrar que la herramienta se puede usar correctamente podrán operar la herramienta eléctrica.
- El uso de herramientas eléctricas por parte de niños o adolescentes está estrictamente prohibido.
- No debe haber transeúntes ni animales dentro de los 10 metros de distancia de la persona que usa la herramienta eléctrica. Si se acerca un transeúnte o animal, deberá dejar de rociar.
- Tenga especial cuidado al trabajar en invernaderos, asegure una ventilación adecuada.
- Al rociar sustancias peligrosas, para evitar la inhalación o contacto con ellas, asegúrese de usar el equipo de protección personal (se recomienda usar mamelucos protectores con capucha, gafas, máscaras faciales, guantes y calzado cerrado). En caso de contacto con químicos en la piel, lave de inmediato con agua corriente y jabón. En caso de contacto con químicos en los ojos, enjuague de inmediato con abundante agua corriente. Si persiste la irritación, busque atención médica de inmediato.
- Mientras trabaja, se prohíbe estrictamente comer, beber o fumar; puede inhalar o tragar partículas de la sustancia rociada, esto puede causar reacciones alérgicas, intoxicación e incluso la muerte.
- No dirigir el pulverizador hacia sí mismo, otras personas o animales.
- Considere la dirección del viento al trabajar y párese de tal manera que el viento no lleve la sustancia rociada hacia usted. No trabaje si hay viento fuerte.
- Se prohíbe trabajar bajo la lluvia o dejar la herramienta eléctrica bajo la lluvia o nieve.
- Se debe tener en cuenta que, durante el uso, el aire alrededor está lleno de "niebla". Se compone de pequeñas gotas de sustancia rociada, que posteriormente se apoyan en superficies circundantes. Es necesario cubrir las superficies sobre las cuales no es deseable que se deposite la "niebla". Al trabajar al aire libre, la "niebla" está expuesta a la influencia del viento. Esto puede acarrear consecuencias negativas (daño a la salud, contaminación ambiental).
- No use la herramienta eléctrica si no hay líquido en el depósito. Esto causará el desgaste rápido de las piezas de la herramienta eléctrica.
- Si fuera necesario transportar la herramienta eléctrica mientras la usa, asegúrese de verificar que esté ajustada la tapa del tanque y asegure la herramienta eléctrica en posición vertical para evitar que se caiga.



Si siente dolores de cabeza, mareos, etc., durante el uso, deje inmediatamente de trabajar y consulte a un médico. También, indique al médico el nombre del químico utilizado y las circunstancias del trabajo.

Después de terminar el trabajo

- Después de cada uso, asegúrese de enjuagar el tanque y el atomizador como se describe a continuación. Si no lo hace, puede provocar daños en la herramienta eléctrica, en cuyo caso anulará su derecho a las reparaciones por garantía.
- Deseche los residuos de pulverización siguiendo estrictamente las recomendaciones del fabricante.
- Después de enjuagar el tanque, debe drenar el agua a los lugares desde los cuales no pueda llegar a aguas subterráneas o cuerpos de agua.

- Después de terminar el trabajo, lávese bien las manos y el cuerpo y enjuáguese la garganta. También se recomienda cambiarse de ropa.

Símbolos usados en el manual

Los siguientes símbolos se utilizan en el manual de instrucciones, recuerde sus significados. La interpretación correcta de los símbolos le permitirá el uso correcto y seguro de la herramienta eléctrica.

Símbolo	Significado
	Pulverizador inalámbrico Secciones marcadas con gris - agarre suave (con superficie aislada).
	Etiqueta con número de serie: CT ... - modelo; XX - fecha de fabricación; XXXXXXX - número de serie.
	Lea todas las reglas e instrucciones de seguridad.
	Use gafas de seguridad.
	Use un respirador.
	Use ropa protectora.
	Use guantes de protección.
	No trabaje bajo la lluvia.
	No caliente la batería por encima de 45°C. Protéjala de una exposición prolongada al rayo de sol directo.
	No deseche la batería en un recipiente de basura doméstica.

Símbolo	Significado
	No deseche la batería en el fuego.
	Proteja la batería de la lluvia.
	Tiempo de carga de la batería.
	Dirección del movimiento.
	Dirección de la rotación.
	Bloqueado.
	Desbloqueado.
III	Clase de protección.



Atención. Importante.



Un signo que certifica que el producto cumple con los requisitos esenciales de las directivas de la UE y las normas armonizadas de la UE.



Información útil.



No deseche la herramienta eléctrica en un recipiente de basura doméstica.

Designación de la herramienta eléctrica

El rociador inalámbrico fue diseñado para rociar sustancias líquidas, como agua, pesticidas, fertilizantes líquidos, etc.

Componentes de la herramienta eléctrica

- 1 Sujetador de cinta
- 2 Parte superior del rociador (armado)

- 3 Ranuras de ventilación
- 4 Manija
- 5 Interruptor de encendido / apagado
- 6 Tapa del tanque y taza medidora
- 7 Conexión de entrada
- 8 Tanque
- 9 Cubierta de la batería
- 10 Botón de control del estado de carga de la batería *
- 11 Indicadores del estado de carga de la batería *
- 12 Bloqueo de la batería *
- 13 Batería *
- 14 Pestillo
- 15 Balanza
- 16 Manguera (armada) *
- 17 Atomizador del rociador (armado) *
- 18 Cinta transportadora *
- 19 Cargador *
- 20 Cuerpo del atomizador del rociador *
- 21 Anillo O *
- 22 Tubo recto *
- 23 Tuerca del tubo curvo *
- 24 Tubo curvo *
- 25 Accesorio roscado *
- 26 Tuerca de la manguera *
- 27 Embudo *
- 28 Etiqueta *
- 29 Indicador (rojo) *
- 30 Indicador (verde) *
- 31 Palanca de activación *
- 32 Boquilla *
- 33 Cabezal del atomizador del rociador *

* Accesorios

No todos los accesorios fotografiados o descritos están incluidos en el envío estándar.

Instalación y regulación de los elementos de la herramienta eléctrica

Antes de realizar cualquier trabajo en la herramienta eléctrica, saque la batería 13.



No apriete demasiado los elementos de ajuste para evitar dañar el hilo.



El montaje / desmontaje / configuración de algunos de los elementos es el mismo para todos los modelos de la herramienta eléctrica, en este caso los modelos específicos no están indicados en la ilustración.

Armado / desarmado / ajuste de la longitud del atomizador (ver fig. 1)

- La figura 1 muestra cómo armar y desarmar el atomizador del rociador 17. **Precaución: siga la secuencia de la instalación de piezas y asegúrese de que los anillos O no se deformen durante el armado.**
- Puede ajustar la longitud del atomizador presionando el tubo curvo 24 hacia adentro o afuera. Para hacer esto, afloje la tuerca 23, mueva el tubo curvo 24 y ajuste la tuerca 23 (ver fig. 1.2).

Conexión de la manguera (ver fig. 2)

- Conecte la manguera **16** al cuerpo del atomizador del rociador **20** como se muestra en la figura 2.1.
- Conecte la manguera **16** a la parte superior del atomizador del rociador **2** al conector de entrada **7**, como se muestra en la figura 2.2.

Uso del atomizador del rociador (ver fig. 3, 11-12)

- La figura 3 muestra las opciones para usar el atomizador **17**:
 - fig. 3.1 y 12 - el atomizador **17** se sostiene con una mano, mientras se sostiene la herramienta eléctrica con la otra mano, se cuelga la correa **18** del hombro o se deja en el suelo. Este método es adecuado para rociar áreas grandes, cuando se rocían ramas altas, cuando se trabaja en escalera, etc.
 - fig. 3.2 y 13 - el atomizador **17** se instala en la manija **4**, la herramienta eléctrica se sostiene con una mano. Este método es adecuado para procesar rápidamente las áreas grandes, en casos donde no es necesario elevar el atomizador **17**.

Cinta transportadora (ver fig. 4)

La fig. 4 muestra cómo instalar la cinta transportadora **18**.

Llenado de tanque (ver fig. 5-6)



Precaución: antes de llenar el tanque **8** siempre remueva la parte superior del rociador **2**.

- Abra los pestillos **14** (ver fig. 5.1).
- Quite la parte superior del rociador **2** (ver fig. 5.2).
- Desenrosque la tapa **6** (ver fig. 6.1).
- Inserte el embudo **27** (no incluido en el conjunto entregado) en el cuello del tanque **8**.
- Se recomienda preparar la solución para rociar en un recipiente especial y luego verterlo en el tanque **8**. En este caso, es posible prepararlo mejor. Sin embargo, se puede preparar la solución para rociar directamente en el tanque **8**:
 - llene el tanque **8** con agua (puede ver el volumen de agua llenada en la balanza **15**);
 - la tapa **6** está marcada y se puede usar como taza de medición. Vierta el químico en la tapa **6** y agréguelo al tanque **8** (ver fig. 6.2). **Precaución:** siga las proporciones recomendadas al preparar la solución.
- Desenrosque la tapa **6** en el cuello del tanque **8**, instale la tapa del rociador **2** y cierre los pestillos **14**.
- Sosteniendo la herramienta eléctrica en posición vertical con una mano en la manija **4**, y con la otra en la base del tanque **8**, sacuda la herramienta eléctrica varias veces para mezclar la solución para rociar.

Procedimiento de carga de la batería de la herramienta eléctrica

Funcionamiento inicial de la herramienta eléctrica

La herramienta eléctrica cuenta con una batería parcialmente cargada **13**. Antes del primer uso, la batería **13** se debe cargar completamente.

Proceso de carga (ver fig. 7, 9)

- Abra la cubierta de la batería **9** (ver fig. 7.1, 9.1).
- Presione el bloque de la batería **12** y retire la batería **13** (ver fig. 7.2-7.3, 9.2-9.3).
- Conecte el cargador **19** al suministro de energía.
- Inserte la batería **13** en el cargador **19** (ver fig. 7.4, 9.4).
- Después de la carga, desconecte el cargador **19** del suministro de energía.
- Remueva la batería **13** del cargador **19**, inserte la batería **13** en la herramienta eléctrica, luego cierre la cubierta **9**.

Indicadores del cargador (ver fig. 8, 10)

Los indicadores del cargador **30** y **29** informan sobre el proceso de carga de la batería **13**. Las señales de los indicadores **30** y **29** se muestran en la etiqueta **28** (ver fig. 8, 10).

- Fig. 8.1, 10.1 - (el indicador verde **30** está iluminado, la batería **13** no está colocada en el cargador **19**) - el cargador **19** está conectado a la red eléctrica (listo para cargar).
- Fig. 8.2, 10.2 - (el indicador verde **30** está parpadeando, la batería **13** está colocada en el cargador **19**) - la batería **13** se está cargando.
- Fig. 8.3, 10.3 - (el indicador verde **30** está iluminado, la batería **13** está colocada en el cargador **19**) - la batería **13** está completamente cargada.
- Fig. 8.4, 10.4 - (el indicador rojo **29** está iluminado, la batería **13** está colocada en el cargador **19**) - el proceso de carga de la batería **13** se ha interrumpido debido a una temperatura inadecuada. Cuando las condiciones de temperatura sean normales, el proceso de cargar se reanudará.
- Fig. 8.5, 10.5 - (el indicador rojo **29** está parpadeando, la batería **13** está colocada en el cargador **19**) - el proceso de carga de la batería **13** se ha interrumpido debido a un fallo en la misma. Sustituya la batería defectuosa **13** está prohibido su posterior uso.



Durante el proceso de carga, la batería 13 y el cargador 19 se calientan, esto es un proceso normal.

Encendido / apagado de la herramienta eléctrica

Encendido / apagado a corto plazo

Encender:

- Para encender la herramienta eléctrica, mueva el interruptor de encendido / apagado **5** en posición "ON" (ver fig. 11.1).
- Para comenzar a rociar, presione y mantenga oprimido el activador **31** en esta posición (ver fig. 11.1).

Apagar:

- Para dejar de rociar, suelte el activador **31** (ver fig. 11.2).
- Para apagar la herramienta eléctrica, mueva el interruptor de encendido / apagado **5** en posición "OFF" (ver fig. 11.1).

Encendido / apagado a largo plazo

Encender:

- Para encender la herramienta eléctrica, mueva el interruptor de encendido / apagado **5** en posición "ON" (ver fig. 11.1).

- Para comenzar a rociar, presione y mantenga oprimido el activador **31** en esta posición (ver fig. 11.1). Mueva el activador **31** hacia adelante para ponerlo en posición de oprimido (ver fig. 11.3).

Apagar:

- Para dejar de rociar, mueva el activador **31** de vuelta hacia atrás y suéltelo (ver fig. 11.3).
- Para apagar la herramienta eléctrica, mueva el interruptor de encendido / apagado **5** en posición "OFF" (ver fig. 11.1).

Características de diseño de la herramienta eléctrica

Protección de temperatura (ver fig. 8.6, 10.6)

El sistema de protección de temperatura permite desactivar automáticamente la herramienta eléctrica en caso de exceso de carga o cuando la temperatura de la batería **13** excede los 80°C. El sistema garantiza la protección de la herramienta eléctrica contra daños en caso de incumplimiento de las condiciones de operación.

Cuando este sistema de protección está activado, los indicadores **11** parpadearán como se muestra en la fig. 8.6, 10.6 durante 3 segundos.

Protección contra sobrecalentamiento (ver fig. 8.6, 10.6)

El sistema de protección contra sobrecalentamiento del motor apaga automáticamente la herramienta eléctrica en caso de sobrecalentamiento. En este caso, deje que la herramienta eléctrica se enfríe antes de volver a encenderla.

Cuando este sistema de protección está activado, los indicadores **11** parpadearán como se muestra en la fig. 8.6, 10.6 durante 3 segundos.

Protección contra sobrecargas (ver fig. 8.6, 10.6)

El sistema de protección contra sobrecargas del motor apaga automáticamente la herramienta eléctrica cuando se opera de una manera que provoca una corriente anormalmente alta.

Cuando este sistema de protección está activado, los indicadores **11** parpadearán como se muestra en la fig. 8.6, 10.6 durante 3 segundos.

Protección contra sobrecargas

La batería **13** está protegida por el sistema de seguridad contra descarga profunda. En caso de descarga completa, la herramienta eléctrica se desconecta automáticamente. **Atención: no intente encender la herramienta eléctrica cuando el sistema de protección está activado, la batería 13 puede dañarse.**

Indicadores del estado de carga de la batería (ver fig. 8.7, 10.7)

Al pulsar el botón **10** los indicadores **11** mostrarán el estado de carga de la batería **13** (ver fig. 8.7, 10.7).

Cinta transportadora (ver fig. 4)

Para un fácil transporte, como también mejor movilidad mientras trabaja, use la cinta transportadora **18**.

Adhiera la cinta **18** a los sujetadores **1** (ver fig. 4). Si es necesario, ajuste la longitud de la cinta **18** para que le resulte cómoda para transportar la herramienta eléctrica.

Ajuste de la forma de la franja de rociado (ver fig. 12, 13)

La forma de la franja de rociado se puede ajustar girando el cabezal del atomizador del rociador **32** (ver fig. 12, 13).



Precaución: La solución para rociar debe tener la consistencia del agua, no rocíe sustancias más densas, porque podrá dañar la herramienta eléctrica.

- Prepare la solución para rociar y llene el tanque **8**.
- Ajuste la longitud del tubo curvo **24**.
- Encienda la herramienta eléctrica y comience a rociar. Ajuste la forma de la franja de rociado, si fuera necesario.
- Si la solución se rocía de forma despereja durante la operación, verifique el volumen de líquido en el tanque **8**. Agregue más, si fuera necesario. También es posible que el orificio de la boquilla **32** o los orificios del cabezal del atomizador del rociador **33** estén obstruidos, si es necesario, límpielos como se describe a continuación.
- Después de terminar el trabajo, apague la herramienta eléctrica y desconecte la parte superior del rociador **2**. Drene bien el resto de la solución del tanque **8**, y enjuague la tapa **6**, el tanque **8**, la manguera **16**, el atomizador **17**, como se describe a continuación.

Mantenimiento de la herramienta eléctrica / medidas preventivas

Antes de realizar cualquier trabajo en la herramienta eléctrica, saque la batería 13.

Instrucciones de mantenimiento de la batería

- Realice la carga oportunamente, antes de que la batería **13** esté completamente agotada. Detenga la operación en baja energía y cárguela inmediatamente.
- No sobrecargue la batería **13** cuando la misma esté completamente cargada, de lo contrario se acortará su vida útil.
- Cargue la batería **13** a temperatura ambiente de 10°C a 40°C (50°F a 104°F).
- Cargue la batería **13** cada 6 meses si estuvo sin funcionamiento durante un tiempo prolongado.
- Sustituya las baterías usadas a tiempo. La disminución de la producción o un tiempo de ejecución significativamente más corto de la herramienta eléctrica después de la carga, indica que la batería **13** se ha gastada y que se necesita reemplazarla. Se debe tener en cuenta que la batería **13** puede descargarse más rápido si los trabajos tienen con temperaturas inferiores a 0°C.

- En caso de almacenamiento sin uso durante un tiempo prolongado, se recomienda guardar la batería **13** a temperatura ambiente y se debe cargar al 50%.

Limpieza de la herramienta eléctrica (ver fig. 5-6, 14)



Precaución: se prohíbe estrictamente dejar y almacenar la solución para rociar en el tanque, y tampoco se pueden enjuagar las piezas de la herramienta eléctrica después de cada uso, porque esto puede causar daños en la herramienta eléctrica, en cuyo caso, anulará el derecho a las reparaciones por garantía.

- Después de terminar el trabajo, apague la herramienta eléctrica.
- Desconecte la parte superior del rociador **2** (ver fig. 5).
- Desenrosque la tapa **6** (ver fig. 6) y enjuáguela y el tanque **8** también, en profundidad, con agua corriente.
- Llene el tanque **8** con agua (2 litros, aproximadamente), cierre la tapa **6**, instale la parte superior del rociador **2** y encienda la herramienta eléctrica.
- Rocíe agua limpia para enjuagar la bomba de la herramienta eléctrica, la manguera **16** y el atomizador **17**. Recuerde que el agua rociada contiene químicos que roció antes, tome precauciones.
- Si fuera necesario, puede desenroscar la boquilla **32** y limpiar el orificio, como así también los orificios del cabezal del atomizador del rociador **33** con un cable de diámetro adecuado (ver fig. 14). **Precaución: no use cables de acero, agujas, perforadoras, etc. para este procedimiento - puede dañar la boquilla 32 o el cabezal del atomizador del rociador 33.**
- Enjuague todos los accesorios utilizados con agua corriente - los recipientes para mezclar la solución, el embudo **27**, etc.
- Una condición indispensable para un uso seguro a largo plazo de la herramienta eléctrica es mantenerla limpia. Con frecuencia limpie la herramienta con aire comprimido a través de las ranuras de ventilación **3**.

Servicio de post-venta y servicio de aplicaciones

Nuestro servicio de post-venta responde a sus preguntas sobre el mantenimiento y la reparación de su producto, así como también sobre los repuestos. La

información sobre los centros de servicio, los diagramas de las piezas y sobre los repuestos también se puede encontrar en: www.crown-tools.com.

Cómo transportar las herramientas eléctricas

- Está terminantemente prohibido dejarlas caer para que no se produzca ningún impacto mecánico en el embalaje durante el transporte.
- Cuando se descarguen / carguen, no se permite usar ningún tipo de tecnología que funcione bajo el principio de sujeción de embalajes.

Baterías de Li-Ion

Las baterías de Li-Ion incorporadas están sujetas a los requisitos de la Legislación de mercaderías peligrosas. El usuario puede transportar las baterías por carretera sin más requisitos.

Cuando se transporta por terceros (por ejemplo: transporte aéreo o empresa de transportes), se deben observar los requisitos especiales sobre embalaje y etiquetado. Para preparar el elemento que se envía, es necesario consultar a un experto en materiales peligrosos.

Envíe las baterías sólo cuando la carcasa esté en buen estado. Coloque cinta o tape los contactos abiertos y embale la batería de manera tal que no pueda moverse en el embalaje. Tenga también en cuenta las normativas nacionales que pueden ser más detalladas.

Protección del medio ambiente



Recicle las materias primas en lugar de eliminarlas como basura.

Las herramientas, los accesorios y el embalaje deberían seleccionarse para un reciclado cuidadoso del medio ambiente.

Las piezas de material plástico están marcadas para un reciclado selectivo.

Estas instrucciones están impresas sobre papel reciclado sin la utilización de cloro.

El fabricante se reserva la posibilidad de incluir cambios.

Español

Технические характеристики электроинструментов

Аккумуляторный опрыскиватель

СТ29003НХ-2

СТ29003НХ-4

Код электроинструмента

см. страницу 12

Номинальное напряжение

[В]

20 *

20 *

Тип аккумулятора

Li-Ion

Li-Ion

Время зарядки аккумулятора

[мин]

60

60

Емкость аккумулятора

[Ач]

2

4

Макс. производительность

[мл/мин]

500

500

Макс. давление

[бар]

2

2

Ø сопла

[мм]
[дюймы]

1,7
1/16"

1,7
1/16"

Емкость бачка

[л]

7,5

7,5

Вес

[кг]
[фунты]

2,52
5.56

2,83
6.24

Класс безопасности

III

III

Звуковое давление

[дБ(А)]

—

—

Акустическая мощность

[дБ(А)]

—

—

Вибрация

[м/с²]

—

—

* Максимальное напряжение батареи (измеренное без рабочей нагрузки) - 20 Вольт. Номинальное напряжение батареи - 18 Вольт.

Информация о шуме



Носить приспособление для защиты органов слуха при уровне звукового давления свыше 85 дБ(А).

Merit Link International AG
Stabio, Швейцария, 28.07.2021



ПРЕДУПРЕЖДЕНИЕ - Чтобы снизить риск получения травм, пользователь должен ознакомиться с руководством по эксплуатации!

Соответствия требуемым нормам

Мы заявляем под нашу единоличную ответственность, что описанный в разделе "Технические характеристики электроинструмента" продукт отвечает всем соответствующим положениям Директив 2006/42/ EC, 2014/30/EU, включая их изменения, а также следующим нормам:
EN 60745-1:2009/A11:2010,
EN 50580:2012/A11:2013,
EN 55014-1:2017,
EN 55014-2:2015.

Менеджер по сертификации

Wu Cunzhen

Wu Cunzhen

Общие правила техники безопасности



ПРЕДУПРЕЖДЕНИЕ! Внимательно изучите все предупреждения о технике безопасности и инструкции, пояснительные рисунки и спецификации, поставляемые вместе с электроинструментом. Несоблюдение предупреждений и инструкций может привести к поражению электрическим током, возгоранию и / или серьезной травме.

Сохраните все предупреждения и инструкции для дальнейшего использования.

Термин "электроинструмент", используемый в тексте предупреждений, относится к электроинструменту с питанием от электросети (проводной) или электроинструменту с питанием от аккумулятора (беспроводной).

Русский

29

Безопасность рабочего места

- Рабочее место должно быть чистым и хорошо освещенным. В захламленных или темных местах вероятны несчастные случаи.
- Не используйте электроинструменты во взрывоопасных средах, например, в присутствии легковоспламеняющихся жидкостей, газов или пыли. Электроинструменты создают искры, которые могут стать причиной воспламенения пыли или паров.
- Во время работы электроинструмента не допускайте присутствия детей и других лиц. Отвлечение внимания может привести к потере контроля.

Рекомендации по электробезопасности

- Вилки электроинструмента должны соответствовать розетке. Никогда не вносите изменения в конструкцию вилки. Не используйте адаптеры с заземленными электроинструментами. Вилки оригинальной конструкции и соответствующие розетки уменьшают риск поражения электрическим током.
- Избегайте контакта с заземленными поверхностями, такими как трубы, радиаторы, плиты и холодильники. Это повышает риск поражения электрическим током.
- Не подвергайте электроинструмент воздействию дождя или влаги. Попадание воды внутрь электроинструмента повышает риск поражения электрическим током.
- Не используйте токоведущую кабель в целях, для которых он не предназначен. Никогда не используйте кабель для переноски электроинструмента, подтягивания электроинструмента к себе, или для выключения электроинструмента рывком за токоведущий кабель. Оберегайте токоведущий кабель от нагревания, нефтепродуктов, острых кромок или движущихся частей электроинструмента. Поврежденный или спутанный токоведущий кабель увеличивает опасность поражения электрическим током.
- При работах на открытом воздухе, используйте удлинительные кабели, предназначенные для наружных работ, это снизит опасность поражения электрическим током.
- Если нельзя избежать работы электроинструмента на участке с повышенной влажностью, используйте устройство защитного отключения (УЗО). Использование УЗО снижает риск поражения электрическим током. ПРИМЕЧАНИЕ! Термин "УЗО (RCD)" может быть заменен термином "устройство защитного отключения (GFCI)" или "автоматический выключатель с функцией защиты от тока утечки (ELCB)".
- **Предупреждение!** Никогда не прикасайтесь к открытым металлическим поверхностям редуктора, защитного кожуха и т.д., так как на металлические поверхности воздействуют электромагнитные волны и касание к ним может привести к травме или несчастному случаю.

Рекомендации по личной безопасности

- Будьте бдительными, следите за тем, что вы делаете, и при работе с электроинструментом руководствуйтесь здравым смыслом. Не используйте электроинструмент, если вы устали или находитесь под воздействием наркотиче-

ских средств, алкоголя или лекарств. Ослабление внимания при работе с электроинструментом может привести к серьезной травме.

- Используйте средства индивидуальной защиты. Всегда надевайте защитные очки. Средства индивидуальной защиты, такие как пылезащитная маска, нескользящая защитная обувь, каска или средства защиты органов слуха, которые используются в соответствующих условиях, уменьшают вероятность получения травм.
- Не допускайте непреднамеренного запуска электроинструмента. Перед подключением к источнику питания и / или аккумулятору, поднятием или переносом электроинструмента убедитесь, что выключатель / выключатель находится в выключенном состоянии. Перемещение электроинструмента, когда палец находится на выключателе / выключателе, или включение питания электроинструментов с включенным выключателем / выключателем может стать причиной несчастного случая.
- Перед включением, необходимо убрать из вращающихся частей электроинструмента все дополнительные ключи и приспособления. Ключ, оставленный во вращающейся части электроинструмента, может быть причиной серьезных травм.
- Не предпринимайте чрезмерных усилий. Всегда сохраняйте устойчивое положение и равновесие. Это позволяет лучше контролировать электроинструмент в непредвиденных ситуациях.
- Носите соответствующую одежду. Не надевайте свободную одежду или украшения. Держите волосы, одежду и перчатки вдали от движущихся деталей. Свободная одежда, украшения или длинные волосы могут быть захвачены подвижными частями электроинструмента, что станет причиной серьезных травм.
- Если в конструкции электроинструмента предусмотрена возможность для подключения пылеулавливающих и пылесборных устройств, убедитесь, что они подключены и правильно используются. Использование таких устройств уменьшает опасности, связанные с накоплением пыли.
- Всегда будьте осторожны, не игнорируйте принципы безопасной работы с электроинструментом из-за знаний и опыта, полученных вследствие частого пользования электроинструментом. Неосторожное действие может незамедлительно привести к серьезным травмам.
- **Предупреждение!** Во время работы электроинструменты могут создавать электромагнитное поле. При определенных обстоятельствах такое поле может создавать помехи активным или пассивным медицинским имплантатам. Чтобы снизить риск серьезной или смертельной травмы, перед использованием электроинструмента рекомендуем людям с медицинскими имплантатами проконсультироваться с врачом и изготовителем медицинского имплантата.

Использование и обслуживание электроинструмента

- Люди с недостаточными психофизическими или умственными способностями и дети не могут управлять электроинструментом, если человек, ответственный за их безопасность, не контролирует их или не инструктирует об использовании электроинструмента.

- Не перегружайте электроинструмент. Используйте электроинструмент, который соответствует вашей цели применения. Соответствующий электроинструмент будет работать лучше и безопаснее с той производительностью, для которой он был спроектирован.
- Не работайте электроинструментом с неисправным включателем / выключателем. Электроинструмент, включение / выключение которого, не может контролироваться представляет опасность и должен быть немедленно отремонтирован.
- Перед выполнением каких-либо настроек, сменой принадлежностей или хранением электроинструментов - отсоедините вилку от источника питания и / или аккумулятор от электроинструмента. Эти меры безопасности снижают риск случайного запуска электроинструмента.
- Храните неиспользуемые электроинструменты в недоступном для детей месте и не разрешайте лицам, которые не ознакомились с электроинструментом или этими инструкциями, использовать электроинструмент. Электроинструменты опасны в руках неподготовленных пользователей.
- Следите за состоянием электроинструмента. Проверяйте осевое биение и надежность соединения подвижных деталей, а также любые неисправности, которые могут вывести электроинструмент из строя. Неисправный электроинструмент необходимо отремонтировать перед использованием. Многие несчастные случаи возникают из-за плохого состояния электроинструмента.
- Режущие инструменты должны содержаться в чистоте и быть хорошо заточенными. Правильно установленные режущие инструменты с острыми режущими кромками уменьшают возможность заклинивания и облегчают управление электроинструментом.
- Используйте электроинструмент, принадлежностями, насадки и т.п. в соответствии с инструкциями, принимая во внимание условия работы и выполняемые работы. Использование электроинструмента для операций, для которых он не предназначен, может привести к опасной ситуации.
- Поддерживайте рукоятки и поверхности захвата сухими, чистыми и свободными от масла и смазки. Скользкие рукоятки и поверхности захвата препятствуют безопасному обращению с электроинструментом и управлению им в неожиданных ситуациях.
- Обратите внимание, что при работе с электроинструментом необходимо правильно держать вспомогательную рукоятку; выполнение этого требования облегчает управление электроинструментом. Таким образом, правильное удержание электроинструмента может снизить риск несчастных случаев или травм.

Эксплуатация и обслуживание аккумуляторно-го инструмента

- Заряжайте только при помощи зарядного устройства, рекомендованного производителем. Зарядное устройство, предназначенное для аккумулятора определенного типа, при использовании с аккумулятором другого типа может стать причиной возгорания.

- Используйте электроинструменты только с предназначенными для них аккумуляторами. Использование других аккумуляторов может привести к риску получения травмы и возгорания.
- Когда аккумулятор не используется, не храните его рядом с такими металлическими предметами, как канцелярские скрепки, монеты, ключи, гвозди, шурупы и другие небольшие металлические предметы, которые являются проводниками тока. Замыкание контактов аккумулятора может привести к возгоранию или пожару.
- При неправильном обращении может произойти утечка жидкости, находящейся внутри аккумулятора; не допускайте контакта с такой жидкостью, в противном случае промойте место контакта водой. При попадании жидкости в глаза немедленно обратитесь за медицинской помощью. Жидкость, находящаяся в аккумуляторе, может стать причиной раздражения или химических ожогов.
- Не допускайте самопроизвольного включения. Перед установкой аккумулятора убедитесь, что выключатель / выключатель находится в положении "выключено". При перемещении электроинструмента убедитесь, что ваш палец не находится на выключателе / выключателе; кроме того, не устанавливайте аккумулятор в электроинструмент, если выключатель находится в положении "выключено" - невыполнение этих условий может привести к несчастному случаю.
- Не разбирайте аккумулятор. Имеется риск короткого замыкания.
- Повреждение аккумулятора или его неправильное использование может привести к выделению паров. Обеспечьте доступ свежего воздуха в помещении; при наличии жалоб обратитесь за медицинской помощью. Испарения могут вызывать раздражение дыхательной системы.
- При повреждении аккумулятора жидкость может вытечь и попасть на находящиеся рядом детали. Проверьте состояние таких деталей. Очистите их от жидкости или, при необходимости, замените.
- Не допускайте перегрева аккумулятора, например, вследствие длительного воздействия солнечных лучей или огня. Невыполнение этого условия может стать причиной взрыва аккумулятора.



ВНИМАНИЕ! Прочтите все инструкции и рекомендации по безопасности.

- Оберегайте зарядное устройство от воздействия дождя и влаги. Попадание воды в зарядное устройство увеличивает риск поражения электрическим током.
- Используйте зарядное устройство для зарядки аккумуляторов только рекомендованного типа. Данное зарядное устройство предназначено для зарядки только литий - ионных аккумуляторов в пределах указанного диапазона напряжения. При невыполнении этого требования существует опасность возгорания и взрыва.
- Не допускайте загрязнения зарядного устройства. Наличие грязи может привести к поражению электрическим током.
- Перед использованием, каждый раз проверяйте состояние зарядного устройства, кабеля и разъемов. Не используйте зарядное устройство, имеющее какие-либо неисправности. Не разбирайте зарядное устройство самостоятельно,

ремонт и обслуживание должны проводиться только квалифицированным персоналом с использованием оригинальных запчастей. Повреждения зарядного устройства, кабеля и разъемов увеличивает риск поражения электрическим током.

- **Не используйте зарядное устройство на легко возгораемых поверхностях (например, на бумаге, тканях и т.д.) или в пожароопасной среде.** Во время процесса зарядки зарядное устройство нагревается и невыполнение этих требований может привести к возгоранию.

Техническое обслуживание

- **Обслуживание Вашего электроинструмента должно производиться квалифицированными специалистами с использованием рекомендованных запасных частей.** Это дает гарантию, того что безопасность Вашего электроинструмента будет сохранена.
- Соблюдайте инструкции по смазке, а также рекомендации по замене аксессуаров.

Правила техники безопасности при эксплуатации электроинструмента

Перед началом работы



Не распыляйте вещества, которые могут повредить электроинструмент, если поломка электроинструмента произойдет по этой причине, Вы лишитесь права на гарантийный ремонт.

- Внимательно ознакомьтесь с инструкциями производителей веществ, которые вы собираетесь распылять, чтобы хорошо себе представлять их токсичность и методы работы с ними.
- Тщательно соблюдайте рекомендации по разбавлению, хранению и утилизации остатков распыляемых веществ. Неправильный выбор химикатов или нарушение пропорций при приготовлении раствора может нанести ущерб культурным растениям и быть опасным для здоровья.
- Если вы собираетесь распылять токсичные вещества, смешивайте раствор на свежем воздухе, вдали от жилых помещений, стойл животных, складов с продуктами питания и кормов для животных.
- Категорически запрещается распылять следующие виды веществ:
 - легковоспламеняющиеся вещества (бензин, растворители и т.п.) - это может стать причиной пожара или взрыва;
 - едкие вещества (кислоты, щелочи и т.п.) - это может стать причиной повреждения деталей электроинструмента;
 - густые вещества (краски, масла и т.п.);
 - пищевые продукты.
- Не распыляйте жидкости температура которых выше температуры окружающей среды.
- При наполнении бака водой категорически запрещается погружать в бак конец шланга или водопроводного крана.

При работе

- Электроинструмент должен эксплуатироваться только лицами прошедшими инструктаж в отноше-

нии его правильной эксплуатации, или способными подтвердить возможность надлежащего использования инструмента.

- Категорически запрещается использование электроинструмента детьми или подростками.
- В радиусе 10 метров от работающего не должно быть посторонних людей или животных. При приближении посторонних лиц или животных, необходимо прекратить распыление.
- Соблюдайте особую осторожность при работе в теплицах, обеспечьте достаточную вентиляцию.
- При распылении опасных веществ, для предотвращения вдыхания или контакта с ними обязательно используйте средства индивидуальной защиты (рекомендуется использовать защитный комбинезон с капюшоном, защитные очки, защитную маску, перчатки и закрытую обувь). При попадании химикатов на кожу немедленно промойте ее с мылом под проточной водой. При попадании химикатов в глаза немедленно промойте их большим количеством проточной воды. Если раздражение сохраняется, немедленно обратитесь за медицинской помощью.

- При работе категорически запрещается принимать пищу, пить или курить - Вы можете вдохнуть или проглотить частички распыляемого вещества, что может стать причиной аллергических реакций, отравления и даже смерти.

- Не направляйте струю распыляемого вещества на себя, других лиц или животных.

- При работе учитывайте направление ветра и стойте таким образом, чтобы ветер не сносил распыляемое вещество на Вас. Запрещается работать во время сильного ветра.

- Запрещается работать во время выпадения осадков, а также оставлять электроинструмент под дождем или снегом.

- Следует учитывать, что при работе окружающий воздух наполняется "туманом", состоящим из мелких капель распыляемого вещества, который впоследствии оседает на окружающие поверхности. Необходимо закрыть поверхности, на которых нежелательно осаждение "тумана". При проведении работ на улице "туман" подвержен влиянию ветра, что может привести к негативным последствиям (причинения вреда здоровью, загрязнению окружающей среды).

- Не включайте электроинструмент, если в резервуаре нет жидкости - это приведет к быстрому износу деталей электроинструмента.

- Если в процессе работы необходимо произвести транспортировку электроинструмента, обязательно проверьте затяжку крышки бака и зафиксируйте электроинструмент в вертикальном положении, чтобы исключить его опрокидывание.



Если во время работы возникла головная боль, головокружение и т.п. немедленно прекратите работу и обратитесь к врачу. Также сообщите врачу название используемого химиката и обстоятельства работы.









После окончания работы

- После каждого использования обязательно промывайте бак и распылитель как описано ниже. Невыполнение этого требования может привести к поломке электроинструмента, в этом случае Вы лишаетесь права на гарантийный ремонт.

- Утилизируйте остатки распыляемых веществ, строго соблюдая рекомендации производителей.
- Воду после промывки бака следует сливать в места, из которых она не может попасть в водоемы или подземные воды.
- После окончания работ тщательно вымойте руки, умойтесь и прополощите горло. Также рекомендуется сменить одежду.

Символы, используемые в инструкции

В руководстве по эксплуатации используются нижеприведенные символы, запомните их значение. Правильная интерпретация символов поможет использовать электроинструмент правильно и безопасно.

Символ	Значение
	Аккумуляторный опрыскиватель Участки, обозначенные серым цветом мягкой накладкой (с изолированной поверхностью).
	Наклейка с серийным номером: СТ ... - модель; XX - дата производства; XXXXXXX - серийный номер.
	Ознакомьтесь со всеми указаниями по технике безопасности и инструкциями.
	Носите защитные очки.
	Носите респиратор.
	Носите защитную одежду.
	Носите защитные перчатки.
	Не работайте в дождь.

Символ	Значение
	Не нагревайте аккумулятор выше 45°C. Предотвращайте от длительного воздействия прямых солнечных лучей.
	Не выбрасывайте аккумулятор в бытовой мусор.
	Не бросайте аккумулятор в огонь.
	Не допускайте попадания аккумулятора под дождь.
	Время зарядки аккумулятора.
	Направление движения.
	Направление вращения.
	Заблокировано.
	Разблокировано.
	Класс защиты.
	Внимание. Важная информация.
	Знак, удостоверяющий, что изделие соответствует основным требованиям директив ЕС и гармонизированным стандартам Европейского Союза.
	Полезная информация.
	Не выбрасывайте электроинструмент в бытовой мусор.

Назначение электроинструмента

Аккумуляторный опрыскиватель предназначен для распыления жидких веществ - воды, пестицидов, жидких удобрений и т.п.

Элементы устройства электроинструмента

- 1 Крепление для ремня
- 2 Верхняя часть опрыскивателя (в сборе)
- 3 Вентиляционные отверстия
- 4 Рукоятка
- 5 Включатель / выключатель
- 6 Крышка бака и мерный стакан
- 7 Входной патрубок
- 8 Бак
- 9 Крышка аккумулятора
- 10 Кнопка проверки степени заряда аккумулятора *
- 11 Индикаторы степени заряда аккумулятора *
- 12 Фиксатор аккумулятора *
- 13 Аккумулятор *
- 14 Защелка
- 15 Шкала
- 16 Шланг (в сборе) *
- 17 Распылитель (в сборе) *
- 18 Переносной ремень *
- 19 Зарядное устройство *
- 20 Корпус распылителя *
- 21 Уплотнительное кольцо *
- 22 Прямая трубка *
- 23 Гайка изогнутой трубки *
- 24 Изогнутая трубка *
- 25 Штуцер резьбовой *
- 26 Гайка шланга *
- 27 Воронка *
- 28 Наклейка зарядного устройства *
- 29 Индикатор (красный) *
- 30 Индикатор (зеленый) *
- 31 Спусковой рычаг *
- 32 Сопло *
- 33 Головка распылителя *

* Принадлежности

Перечисленные, а также изображенные принадлежности, частично не входят в комплект поставки.

Монтаж и регулировка элементов электроинструмента

Перед проведением всех процедур извлеките из электроинструмента аккумулятор 13.



Не затягивайте слишком сильно крепежные элементы, чтобы не повредить их резьбу.



Монтаж / демонтаж / настройка некоторых элементов аналогична для всех моделей электроинструментов, в этом случае на пояснительном рисунке конкретная модель не указывается.

Сборка / разборка / регулировка длины распылителя (см. рис. 1)

- На рис. 1 показано как собирать и разбирать распылитель 17. **Внимание: соблюдайте последовательность установки деталей, и следите за тем, чтобы в процессе сборки уплотнительные кольца не деформировались.**
- Вы можете изменять длину распылителя вводя или выдвигая изогнутую трубку 24. Для этого ослабьте гайку 23, переместите изогнутую трубку 24 и затяните гайку 23 (см. рис. 1.2).

Подключение шланга (см. рис. 2)

- Подключите шланг 16 к корпусу распылителя 20, как показано на рисунке 2.1.
- Подключите шланг 16 к верхней части опрыскивателя 2 к входному патрубку 7, как показано на рисунке 2.2.

Использование распылителя (см. рис. 3, 11-12)

- На рис. 3 показаны варианты использования распылителя 17:
 - рис. 3.1 и 12 - распылитель 17 удерживается одной рукой, при этом электроинструмент удерживается другой рукой, висит на плече на ремне 18, либо стоит на земле. Этот метод подходит для опрыскивания больших площадей, при опрыскивании высоких веток, работы с лестницы и т.п.;
 - рис. 3.2 и 13 - распылитель 17 установлен в рукоятку 4 электроинструмент удерживается одной рукой. Этот метод подходит для быстрой обработки больших площадей, в случаях, когда не требуется поднимать распылитель 17.

Ремень для транспортировки (см. рис. 4)

На рис. 4 показано как устанавливать ремень для транспортировки 18.

Наполнение бака (см. рис. 5-6)



Внимание: перед наполнением бака 8 всегда снимайте верхнюю часть опрыскивателя 2.

- Откройте защелки 14 (см. рис. 5.1).
- Снимите верхнюю часть опрыскивателя 2 (см. рис. 5.2).
- Откройте крышку 6 (см. рис. 6.1).
- Вставьте в горловину бака 8 воронку 27 (не входит в комплект поставки).
- Рекомендуется готовить раствор для распыления в отдельной емкости, после чего заливать его в бак 8. В этом случае его возможно лучше перемешать. Однако, допускается приготовление раствора для распыления непосредственно в баке 8:
 - наполните бак 8 водой (объем залитой воды вы можете увидеть на шкале 15);
 - крышка 6 имеет разметку и может быть использована как мерный стакан. Налейте в крышку 6 химикат и добавьте его в бак 8 (см. рис. 6.2). **Внимание: соблюдайте рекомендованные пропорции при приготовлении раствора.**

- Накрутите крышку **6** на горловину бака **8**, установите верхнюю часть опрыскивателя **2** и закройте защелку **14**.
- Удерживая электроинструмент в вертикальном положении одной рукой за рукоятку **4**, а второй рукой за дно бака **8** несколько раз встряхните электроинструмент, чтобы перемешать раствор для распыления.

Зарядка аккумулятора электроинструмента

Ввод в эксплуатацию электроинструмента

Электроинструмент поставляется с частично заряженным аккумулятором **13**. Перед первым использованием обязательно произведите полную зарядку аккумулятора **13**.

Процесс зарядки (см. рис. 7, 9)

- Откройте крышку **9** (см. рис. 7.1, 9.1).
- Нажмите на фиксатор **12** и снимите аккумулятор **13** (см. рис. 7.2-7.3, 9.2-9.3).
- Подключите зарядное устройство **19** к сети.
- Вставьте аккумулятор **13** в зарядное устройство **19** (см. рис. 7.4, 9.4).
- Отключите зарядное устройство **19** от сети после завершения зарядки.
- Извлеките аккумулятор **13** из зарядного устройства **19** и установите аккумулятор **13** в электроинструмент, после чего закройте крышку **9**.

Индикаторы процесса зарядки (см. рис. 8, 10)

Индикаторы зарядного устройства **29** и **30** информируют о ходе процесса зарядки аккумулятора **13**. Информация о значениях сигналов индикаторов **29** и **30** представлена на наклейке **28** (см. рис. 8, 10).

- Рис. 8.1, 10.1 - (зеленый индикатор **30** светится, аккумулятор **13** не вставлен в зарядное устройство **19**) - зарядное устройство **19** подключено к сети (состояние готовности к зарядке).
- Рис. 8.2, 10.2 - (зеленый индикатор **30** мигает, аккумулятор **13** вставлен в зарядное устройство **19**) - идет процесс зарядки аккумулятора **13**.
- Рис. 8.3, 10.3 - (зеленый индикатор **30** светится, аккумулятор **13** вставлен в зарядное устройство **19**) - аккумулятор **13** полностью заряжен.
- Рис. 8.4, 10.4 - (красный индикатор **29** светится, аккумулятор **13** вставлен в зарядное устройство **19**) - процесс зарядки аккумулятора **13** остановлен из-за неподходящего температурного режима. При нормализации температурного режима, процесс зарядки возобновится.
- Рис. 8.5, 10.5 - (красный индикатор **29** мигает, аккумулятор **13** вставлен в зарядное устройство **19**) - процесс зарядки аккумулятора **13** остановлен из-за его неисправности. Замените неисправный аккумулятор **13**, его дальнейшее использование запрещено.



В процессе зарядки аккумулятор **13 и зарядное устройство **19** нагреваются - это нормально.**

Включение / выключение электроинструмента

Кратковременное включение / выключение

Включение:

- Чтобы включить электроинструмент переместите выключатель / выключатель **5** в положение "ON" (см. рис. 11.1).
- Чтобы начать опрыскивание нажмите и удерживайте в этом положении спусковой рычаг **31** (см. рис. 11.1).

Выключение:

- Чтобы прекратить опрыскивание отпустите спусковой рычаг **31** (см. рис. 11.2).
- Чтобы выключить электроинструмент переместите выключатель / выключатель **5** в положение "OFF" (см. рис. 11.1).

Включение на длительное время / выключение

Включение:

- Чтобы включить электроинструмент переместите выключатель / выключатель **5** в положение "ON" (см. рис. 11.1).
- Чтобы начать опрыскивание нажмите и удерживайте в этом положении спусковой рычаг **31** (см. рис. 11.1). Переместите спусковой рычаг **31** вперед, чтобы зафиксировать его в нажатом положении (см. рис. 11.3).

Выключение:

- Чтобы прекратить опрыскивание переместите спусковой рычаг **31** назад и отпустите его (см. рис. 11.3).
- Чтобы выключить электроинструмент переместите выключатель / выключатель **5** в положение "OFF" (см. рис. 11.1).

Конструктивные особенности электроинструмента

Температурная защита (см. рис. 8.6, 10.6)

Температурная защита автоматически отключает электроинструмент при чрезмерной нагрузке, либо если температура аккумулятора **13** превышает 80°C. Это защищает электроинструмент от повреждения при несоблюдении условий эксплуатации. При срабатывании этой системы защиты индикаторы **11** будут мигать, как показано на рис. 8.6, 10.6 в течение 3 секунд.

Защита от перегрева (см. рис. 8.6, 10.6)

Система защиты двигателя от перегрева автоматически отключает электроинструмент в случае перегрева. В этой ситуации дайте электроинструменту остыть, прежде чем снова включить его. При срабатывании этой системы защиты индикаторы **11** будут мигать, как показано на рис. 8.6, 10.6 в течение 3 секунд.

Защита от перегрузки (см. рис. 8.6, 10.6)

Система защиты двигателя от перегрузки автоматически отключает электроинструмент, в случае

если он работает таким образом, что потребляет чрезмерно высокий ток.

При срабатывании этой системы защиты индикаторы **11** будут мигать, как показано на рис. 8.6, 10.6 в течение 3 секунд.

Защита от глубокого разряда

Аккумулятор **13** имеет систему защиты от глубокого разряда. В случае полной разрядки аккумулятора **13**, электроинструмент автоматически выключается. **Внимание: не пытайтесь включать электроинструмент, при срабатывании системы защиты - в этом случае аккумулятор 13 может быть поврежден.**

Индикаторы степени заряда аккумулятора (см. рис. 8.7, 10.7)

При нажатии на кнопку **10** индикаторы **11** показывают степень зарядки аккумулятора **13** (см. рис. 8.7, 10.7).

Переносной ремень (см. рис. 4)

Для удобства транспортировки, а также для большей мобильности при работе используйте переносной ремень **18**. Присоедините ремень **18** к креплениям **1** (см. рис. 4). При необходимости отрегулируйте длину ремня **18**, таким образом, чтобы Вам было удобно, переносить электроинструмент.

Регулировка формы факела распыления (см. рис. 12, 13)

Поворачивая головку распылителя **32**, можно настроить форму факела распыления (см. рис. 12, 13).

Рекомендации при работе электроинструментом



Внимание: раствор для опрыскивания должен иметь консистенцию воды, запрещается распылять более густые вещества, это может привести к поломке электроинструмента.

- Подготовьте раствор для опрыскивания и заполните бак **8**.
- Произведите регулировки длины изогнутой трубки **24**.
- Включите электроинструмент и начните опрыскивание. Если необходимо произведите регулировку формы факела распыления.
- Если в процессе работы раствор распыляется неравномерно, проверьте количество жидкости в баке **8**, если необходимо добавьте. Также возможно засорилось отверстие сопла **32** или отверстия в головке распылителя **33**, если необходимо прочистите их, как описано ниже.
- После окончания работ, выключите электроинструмент и отсоедините верхнюю часть опрыскивателя **2**. Слейте оставшийся раствор из бака **8** и тщательно промойте крышку **6**, бак **8**, шланг **16**, распылитель **17**, как описано ниже.

Обслуживание / профилактика электроинструмента

Перед проведением всех процедур извлеките из электроинструмента аккумулятор 13.

Рекомендации по эксплуатации аккумулятора

- Своевременно заряжайте аккумулятор **13**, не дожидаясь его полной разрядки. Если при работе наблюдается падение мощности, необходимо прервать работу и зарядить аккумулятор **13**.
- Не заряжайте полностью заряженный аккумулятор **13**, это сократит срок его службы.
- Заряжайте аккумулятор **13** при температуре 10°C - 40°C (50°F - 104°F).
- Если электроинструмент не используется длительное время, заряжайте аккумулятор **13** один раз в 6 месяцев.
- Своевременно заменяйте аккумулятор, выработавшие свой ресурс. Падение производительности или значительное сокращение времени работы электроинструментом после зарядки указывает на старение аккумулятора **13** и необходимость его замены. Также следует учитывать, что аккумулятор **13** может разряжаться быстрее, если работы ведутся при температуре ниже 0°C.
- При длительном хранении без использования рекомендуется хранить аккумулятор **13** при комнатной температуре, заряженным на 50%.

Чистка электроинструмента (см. рис. 5-6, 14)



Внимание: категорически запрещается оставлять и хранить раствор для распыления в баке, а также не проводить промывку элементов электроинструмента после каждого использования, это может стать причиной поломки электроинструмента, в этом случае вы лишаетесь права на гарантийный ремонт.

- После окончания работ, выключите электроинструмент.
- Отсоедините верхнюю часть опрыскивателя **2** (см. рис. 5).
- Откройте крышку **6** (см. рис. 6) и тщательно промойте ее и бак **8** под проточной водой.
- Наполните бак **8** водой (примерно 2 литра), закройте крышку **6**, установите верхнюю часть опрыскивателя **2**, и включите электроинструмент.
- Распыляйте чистую воду, чтобы промыть насос электроинструмента, а также шланг **16** и распылитель **17**. Помните, распыляемая вода содержит химикат, который вы распыляли перед этим, соблюдайте меры предосторожности.
- При необходимости вы можете открутить сопло **32** и прочистить отверстие в нем, также отверстия в головке распылителя **33** проволокой подходящего диаметра (см. рис. 14). **Внимание: не используйте для этой процедуры стальную проволоку, иглы, сверла и т.п. - вы можете повредить сопло 32 или головку распылителя 33.**
- Промойте под проточной водой все используемые принадлежности - емкости для смешивания раствора, воронку **27** и пр.
- Обязательным условием для долгосрочной и безопасной эксплуатации электроинструмента яв-

ляется содержание его в чистоте. Регулярно про-
дувайте электроинструмент сжатым воздухом че-
рез вентиляционные отверстия 3.

Послепродажное обслуживание

Ответы на вопросы по ремонту и обслуживанию
вашего продукта вы можете получить в сервисных
центрах. Информацию о сервисных центрах, схе-
мы запчастей и информацию по запчастям Вы мо-
жете найти по адресу: www.crown-tools.com.

Транспортировка электроинструмен- тов

- Не допускайте падения упаковки, а также любые механические воздействия на нее при транспортировке.
- При погрузке / разгрузке не используйте погрузочную технику, работающую по принципу зажима упаковки.

Li-Ion аккумуляторы

На Li-Ion аккумуляторы распространяются спе-
циальные правила транспортировки опасных
грузов. Нет необходимости соблюдения допол-
нительных норм только при перевозке аккумуля-

торов самим пользователем на автомобильном
транспорте.

Соблюдайте особые требования к упаковке и мар-
кировке при перевозке с привлечением третьих лиц
(напр.: самолетом). В этом случае, при подготовке
груза к отправке, необходимо участие эксперта по
опасным грузам.

Возможна отправка аккумуляторов только с непо-
врежденным корпусом. Необходимо изолировать
открытые контакты и упаковать аккумулятор так,
чтобы он не перемещался внутри упаковки. Также
необходимо соблюдать дополнительные националь-
ные предписания.

Защита окружающей среды



Вторичное использование сырья вме- сто устрания мусора.

Электроинструмент, дополнительные
принадлежности и упаковку следует эко-
логически чисто утилизировать.

В интересах чистосортной рециркуляции отходов
детали из синтетических материалов соответ-
ственно обозначены.

Настоящее руководство по эксплуатации напеча-
тано на бумаге, изготовленной из вторсырья без
применения хлора.

Технічні характеристики електроінструменту

Акумуляторний оприскувач		СТ29003НХ-2	СТ29003НХ-4
Код електроінструмента		див. сторінка 12	
Номінальна напруга	[В]	20 *	20 *
Тип акумулятора		Li-Ion	Li-Ion
Час зарядки акумулятора	[хв]	60	60
Місткість акумулятора	[Ач]	2	4
Макс. продуктивність	[мл/хв]	500	500
Макс. тиск	[бар]	2	2
Ø сопла	[мм] [дюйми]	1,7 1/16"	1,7 1/16"
Ємність бачка	[л]	7,5	7,5
Вага	[кг] [фунти]	2,52 5.56	2,83 6.24
Клас захисту		III	III
Рівень шуму	[дБ(А)]	—	—
Акустична потужність	[дБ(А)]	—	—
Рівень вібрації	[м/с ²]	—	—

* Максимальна напруга батареї (виміряна без робочого навантаження) - 20 Вольт. Номінальна напруга батареї - 18 Вольт.

Інформація про шум



Завжди використовуйте звукоізоляційні навушники при рівні шуму понад 85 дБ(А).

Merit Link International AG
Stabio, Швейцарія, 28.07.2021



ПОПЕРЕДЖЕННЯ - Щоб знизити ризик отримання травм, користувач повинен ознайомитися з керівництвом по експлуатації!

CE Відповідності необхідним нормам

Ми заявляємо під нашу одноособову відповідальність, що описаний у розділі "Технічні характеристики електроінструменту" продукт відповідає усім відповідним положенням Директив 2006/42/ EC, 2014/30/EU, включаючи їх зміни, а також наступним нормам:
EN 60745-1:2009/A11:2010,
EN 50580:2012/A11:2013,
EN 55014-1:2017,
EN 55014-2:2015.

Менеджер із
сертифікації

Wu Cunzhen

Wu Cunzhen

Загальні правила техніки безпеки



ПОПЕРЕДЖЕННЯ! Уважно вивчіть усі попередження про техніку безпеки й інструкції, пояснювальні малюнки та специфікації, які постачаються разом із електроінструментом. Недотримання попереджень та інструкцій може призвести до ураження електричним струмом, займання і / або серйозних травм.

Збережіть всі попередження та інструкції для подальшого використання.

Термін "електроінструмент", який використовується в тексті попереджень, відноситься до електроінструменту з живленням від електромережі (провідний) або електроінструменту з живленням від акумулятора (бездротовий).

Українська

Безпека робочого місця

- Робоче місце повинно бути чистим і добре освітленим. У захаращених або темних місцях вірогідні нещасні випадки.
- Не використовуйте електроінструменти у вибухонебезпечних середовищах, наприклад, в присутності легкозаймистих рідин, газів або пилу. Електроінструменти створюють іскри, які можуть призвести до займання пилу або парів.
- Під час роботи електроінструмента не допускайте присутності дітей та інших осіб. Відволікання уваги може призвести до втрати контролю.

Рекомендації з електро безпеки

- Вилки електроінструменту повинні підходити до розетки. Ніколи не вносьте зміни в конструкцію вилки. Не використовуйте адаптери з заземленими електроінструментами. Вилки оригінальної конструкції і відповідні розетки зменшують ризик ураження електричним струмом.
- Уникайте контакту з заземленими поверхнями, такими як труби, радіатори, плити та холодильники. Це підвищує ризик ураження електричним струмом.
- Не надавайте електроінструмент впливу дощової води або вологи. Попадання води в середину електроінструмента підвищує ризик ураження електричним струмом.
- Не використовуйте електричний кабель в цілях, для яких він не призначений. Ніколи не використовуйте кабель для перенесення електроінструменту, підтягання електроінструменту до себе або для вимкнення електроінструменту ривком за електричний кабель. Оберегайте електричний кабель від нагрівання, нафтопродуктів, гострих крайок або рухомих частин електроінструменту. Пошкоджений або спутаний електричний кабель збільшує небезпеку поразки електричним струмом.
- При роботах на відкритому повітрі, використовуйте подовжувальні кабелі, призначені для зовнішніх робіт, це знизить небезпеку ураження електричним струмом.
- Якщо не можна уникнути роботи електроінструмента на ділянці з підвищеною вологістю, використовуйте пристрій захисного відключення (УЗО). Використання УЗО знижує ризик ураження електричним струмом. ПРИМІТКА! Термін "УЗО (RCD)" може бути замінений терміном "пристрій захисного відключення (GFCI)" або "автоматичний вимикач з функцією захисту від струму витоку (ELCB)".
- Увага! Ніколи не торкайтеся до відкритих металевих поверхнь редуктора, захисного кожуха і т.д., оскільки на металеві поверхні впливають електромагнітні хвилі і торкання до них може призвести до травми або нещасного випадку.

Рекомендації з особистої безпеки

- Будьте пильними, стежте за тим, що ви робите, і при роботі з електроінструментом керуйтеся здоровим глуздом. Не використовуйте електроінструмент, якщо ви втомилися або перебуваєте під впливом наркотичних засобів, алкоголю або ліків. Ослаблення уваги при роботі з електроінструментом може призвести до серйозної травми.

- Використовуйте засоби індивідуального захисту. Завжди надівайте захисні окуляри. Засоби індивідуального захисту, такі як пілозахисна маска, нековзне захисне взуття, каска або засоби захисту органів слуху, які використовуються у відповідних умовах, зменшують ймовірність отримання травм.
- Не допускайте ненавмисного запуску електроінструменту. Перед підключенням до джерела живлення та / або акумулятора, підняттям або перенесенням електроінструменту переконатися, що вмикач / вимикач знаходиться у вимкненому стані. Переміщення електроінструменту, коли палець знаходиться на вмикачі / вимикачі, або ввімкнення живлення електроінструментів з включеним вмикачем / вимикачем може стати причиною нещасного випадку.
- Перед ввімкненням необхідно прибрати з частин електроінструменту, що обертаються, всі додаткові ключі і пристосування. Ключ, залишений в частині електроінструменту, що обертається, може бути причиною серйозних травм.
- Не докладайте надмірних зусиль. Завжди зберігайте стійке положення і рівновагу. Це дозволяє краще контролювати електроінструмент у непередбачуваних ситуаціях.
- Носіть відповідний одяг. Не вдягайте вільний одяг або прикраси. Тримайте волосся, одяг і рукавиці далеко від рухомих деталей. Вільний одяг, прикраси або довге волосся можуть бути захоплені рухомими частинами електроінструменту, що стане причиною серйозних травм.
- Якщо в конструкції електроінструменту передбачена можливість для підключення пилословлюючих і пилосбірних пристроїв, переконатися, що вони підключені і правильно використовуються. Використання таких пристроїв зменшує небезпеки, пов'язані з накопиченням пилу.
- Завжди будьте уважні, не ігноруйте принципи безпечної роботи з електроінструментом через знання і досвід, отримані внаслідок частого користування електроінструментом. Необережна дія може негайно призвести до серйозних травм.
- Увага! Електроінструмент створює під час роботи електромагнітне поле. За деяких обставин, це поле може чинити негативний вплив на активні або пасивні медичні імплантати. Щоб зменшити ризик заподіяння серйозної шкоди здоров'ю або травми з летальним наслідком, людям з медичними імплантатами, перед початком експлуатації електроінструмента, рекомендується проконсультуватися з лікарем і виробником медичного імплантату.

Використовування і обслуговування електроінструмента

- Люди з недостатніми психофізичними або розумовими здібностями і діти не можуть управляти електроінструментом, якщо людина, яка відповідає за їх безпеку, не контролює їх чи не інструктує щодо використання електроінструменту.
- Не перевантажуйте електроінструмент. Використовуйте електроінструмент, який відповідає вашій цілі використання. Відповідний електроінструмент буде працювати краще і безпечніше з тією продуктивністю, для якої він був спроектований.
- Не працюйте електроінструментом з несправним вмикачем / вимикачем. Електроінструмент, ввімкнення / вимкнення якого не може контролюватися, становить небезпеку і повинен бути негайно відремонтований.

- Перед виконанням будь-яких налаштувань, заміною приладдя або збиранням електроінструментів - від'єднайте вилку від джерела живлення і / або акумулятор від електроінструменту. Ці заходи безпеки знижують ризик випадкового запуску електроінструмента.
- Зберігайте невикористовуванні електроінструменти в недоступному для дітей місці і не дозволяйте особам, які не ознайомилися з електроінструментом або цими інструкціями, використовувати електроінструмент. Електроінструменти небезпечні в руках невідготовлених користувачів.
- Слідкуйте за станом електроінструменту. Перевіряйте осове биття і надійність з'єднання рухомих деталей, а також будь-які несправності, які можуть вивести електроінструмент з ладу. Несправний електроінструмент необхідно відремонтувати перед використанням. Багато нещасних випадків виникають через поганий стан електроінструменту.
- Ріжучі інструменти повинні знаходитися в чистоті і бути добре заточеними. Правильно встановлені ріжучі інструменти з гострими ріжучими кромками зменшують можливість заклинювання і полегшують управління електроінструментом.
- Використовуйте електроінструмент, приладдя, насадки і т.п. відповідно до інструкцій, беручи до уваги умови роботи і виконувати роботи. Використання електроінструмента для операцій, для яких він не призначений, може призвести до небезпечної ситуації.
- Підтримуйте рукоятки і поверхні захоплення сухими, чистими і вільними від масла і мастила. Слизькі рукоятки і поверхні захоплення перешкоджають безпечному поводженню з електроінструментом і управління ним в несподіваних ситуаціях.
- Зверніть увагу, що при роботі з електроінструментом необхідно правильно тримати допоміжну рукоятку; виконання цієї вимоги полегшує управління електроінструментом. Таким чином, правильне утримання електроінструменту може знизити ризик нещасних випадків або травм.

Використання акумуляторних інструментів та догляд за ними

- Заряджайте акумулятор тільки за допомогою зарядного пристрою, передбаченого виробником. Зарядний пристрій, що підходить для одного типу акумуляторів, може створити ризик пожежі при використанні з іншим типом акумуляторів.
- Використовуйте електроінструменти тільки з акумуляторами, призначеними для них. Використання будь-яких інших акумуляторів може створити ризик поломки або пожежі.
- Коли акумулятор не використовується, зберігайте його окремо від інших металевих предметів, таких як канцелярські скріпки, монети, ключі, цвяхи, гайки та інші дрібні металеві предмети, які можуть створити контакт між клемми акумулятору. Коротке замикання на клеммах акумулятора може викликати обпik або пожежу.
- За неналежних умов, електродіод може вилитися з акумулятору; уникайте контакту з ним. Якщо контакт випадково відбувся, промийте шкіру водою. Якщо електродіод потрапив в очі, додатково зверніться по медичну допомогу. Електродіод з акумулятору може викликати свербіж або обпik.
- Уникайте ненавмисного включення. Перш, ніж вставляти акумулятор, переконайтеся в тому,

що вмикач знаходиться у вимкненому положенні. Якщо при носінні електроінструменту ви тримаєте палець на вмикачі, або якщо ви вставляєте акумулятор у включений електроінструмент, це може призвести до нещасних випадків.

- Не відчиняйте акумулятор. Небезпека замикання.
- У разі ушкодження та неналежного використання акумулятору, може виділятися пара. Забезпечте доступ свіжого повітря і зверніться по медичну допомогу у разі потреби. Пара може подразнювати дихальну систему.
- Якщо акумулятор бракований, електродіод може вилитися і вступити в контакт з прилеглими компонентами. Перевірте усі відповідні деталі. Очистіть такі деталі або замініть їх, якщо потребується.
- Захищайте акумулятор від нагрівання, наприклад, від постійного сонячного випромінювання і від вогню. Є ризик вибуху.



УВАГА! Прочитайте усі попередження про дотримання техніки безпеки та усі інструкції.

- Захищайте зарядний пристрій акумулятору від дощу та вологи. Проникнення води в зарядний пристрій акумулятору підвищує ризик ураження електричним струмом.
- Не заряджайте інші акумулятори. Зарядний пристрій акумулятору підходить тільки для зарядки літійово - іонних акумуляторів вказаного діапазону напруги. Інакше виникає ризик пожежі або вибуху.
- Зберігайте зарядний пристрій акумулятору в чистому стані. Забруднення може стати причиною ураження електричним струмом.
- Перед кожним використанням перевіряйте зарядний пристрій акумулятору, кабель і вилку. Не використовуйте зарядний пристрій акумулятору, якщо виявлені дефекти. Самостійно не відкривайте зарядний пристрій акумулятору і ремонтуйте його тільки у кваліфікованих фахівців. Пошкодження зарядної пристрої, кабелі і вилки підвищують ризик ураження електричним струмом.
- Не використовуйте зарядний пристрій акумулятору на легкозаймистих поверхнях (наприклад, папір, тканина і так далі) або в пожежо-небезпечному середовищі. Є небезпека пожежі через нагрівання зарядного пристрою в процесі зарядки.

Технічне обслуговування

- Обслуговувати Ваш електроінструмент повинні кваліфіковані фахівці з використанням рекомендованих запасних частин. Це дає гарантію, що безпека Вашого електроінструменту буде збережена.
- Дотримуйтесь інструкції по змащуванню, а також рекомендації по заміні аксесуарів.

Правила техніки безпеки при експлуатації електроінструмента

Перед початком роботи



Не розпилюйте речовини, які можуть пошкодити електроінструмент, якщо поломка електроінструмента відбувається з цієї причини. Ви втратите право на гарантійний ремонт.

- Уважно ознайомтесь з інструкціями виробників речовин, які ви збираєтесь розпилювати, щоб мати добре уявлення про їхню токсичність і методи роботи з ними.
- Ретельно дотримуйтесь рекомендацій з розведення, зберігання й утилізації залишків речовин, які розпилюються. Неправильний вибір хімікатів або порушення пропорцій при приготуванні розчину може завдати шкоди культурним рослинам і бути небезпечним для здоров'я.
- Якщо ви збираєтесь розпилювати токсичні речовини, змішуйте розчин на свіжому повітрі, подалі від житлових приміщень, стійла тварин, складів з продуктами харчування й кормом для тварин.
- Категорично забороняється розпилювати наступні види речовин:
 - легкозаймисті речовини (бензин, розчинники тощо) - це може стати причиною пожежі або вибуху;
 - їдкі речовини (кислоти, луги тощо) - це може стати причиною пошкодження деталей електроінструмента;
 - густі речовини (фарби, оливи тощо);
 - харчові продукти.
- Не розпилюйте рідини, температура яких вище температури навколишнього середовища.
- При наповненні баку водою категорично забороняється занурювати в бак кінець шлангу або водопровідного крану.

Під час роботи

- Електроінструмент повинен експлуатуватися тільки особами, які пройшли інструктаж відносно його правильної експлуатації, або які здатні підтвердити можливість належного використання інструменту.
- Категорично забороняється використання електроінструменту дітьми або підлітками.
- У радіусі 10 метрів від особи, що працює, не повинно бути сторонніх людей або тварин. При наближенні сторонніх осіб або тварин, необхідно припинити розпилення.
- Будьте дуже обережні при роботі в теплицях, забезпечте достатню вентиляцію.
- При розпиленні небезпечних речовин, для уникнення вдихання або контакту з ними обов'язково використовуйте засоби індивідуального захисту (рекомендується використовувати захисний комбінезон з капюшоном, захисні окуляри, захисну маску, рукавички і закрите взуття). При попаданні хімікатів на шкіру негайно промийте її з милом під проточною водою. При попаданні хімікатів в очі негайно промийте їх великою кількістю проточної води. Якщо подразнення не минає, негайно зверніться за медичною допомогою.
- Під час роботи категорично забороняється вживати їжу, пити або палити - Ви можете вдихнути або проковтнути частинки речовини, яка розпилюється, що може стати причиною алергічних реакцій, отруєнь і навіть смерті.
- Не спрямовуйте струмінь речовини, яка розпилюється, на себе, інших осіб або тварин.
- Під час роботи враховуйте напрямок вітру й стійте таким чином, щоб вітер не зносив на вас речовину, яка розпилюється. Забороняється працювати під час сильного вітру.
- Забороняється працювати під час випадання опадів, а також залишати електроінструмент під дощем або снігом.
- Варто враховувати, що під час роботи навколишнє повітря наповнюється "туманом", який склада-

ється з дрібних крапель речовини, яка розпилюється, який згодом осідає на навколишні поверхні. Необхідно закрити поверхні, на яких небажане осідання "туману". При проведенні робіт на вулиці "туман" піддається впливу вітру, що може призвести до негативних наслідків (заподіяння шкоди здоров'ю, забруднення навколишнього середовища).

- Не вмийкайте електроінструмент, якщо в резервуарі немає рідини - це призведе до швидкого зносу деталей електроінструмента.
- Якщо в процесі роботи необхідно здійснити транспортування електроінструменту, обов'язково перевірте затягування кришки баку й зафіксуйте електроінструмент у вертикальному положенні, щоб виключити його перекидання.



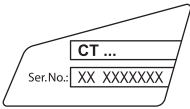
Якщо під час роботи виник головний біль, запаморочення тощо, негайно припиніть роботу й зверніться до лікаря. Також повідомте лікаря назву хімікату, який використовувався, і обставини роботи.

Після закінчення роботи


- Після кожного використання обов'язково промивайте бак і розпилювач, як описано нижче. Невиконання цієї вимоги може призвести до поломки електроінструмента, у цьому випадку Ви втрачаєте право на гарантійний ремонт.
- Утилізуйте залишки речовин, які розпилюються, суворо дотримуючись рекомендацій виробників.
- Воду після промивання баку слід зливати в місця, з яких вона не може потрапити до водоймищ або підземних вод.
- Після закінчення роботи ретельно вимийте руки, вмийтеся й прополощіть горло. Також рекомендується змінити одяг.

Символи, що використовуються в інструкції

В інструкції використовуються нижченаведені символи, запам'ятайте їх значення. Правильна інтерпретація символів допоможе використовувати електроінструмент правильно і безпечно.

Символ	Значення
	Акумуляторний оприскувач Ділянки, які позначені сірим кольором, м'яка накладка (з ізолюваною поверхнею).
	Наклейка з серійним номером: СТ ... - модель; XX - дата виробництва; XXXXXXX - серійний номер.

Символ	Значення
	Ознайомтесь з усіма вказівками з техніки безпеки та інструкціями.
	Носіть захисні окуляри.
	Носіть респіратор.
	Носіть захисний одяг.
	Носіть захисні рукавиці.
	Не працюйте під час дощу.
	Не нагрівайте акумулятор вище 45°C. Захищайте від тривалого впливу прямих сонячних променів.
	Не викидайте акумулятор в побутове сміття.
	Не кидайте акумулятор у вогонь.
	Не допускайте попадання акумулятора під дощ.
	Час зарядки акумулятора.
	Напрямок руху.
	Напрямок обертання.
	Зabloковано.
	Розблоковано.

Символ	Значення
III	Клас захисту.
	Увага. Важлива інформація.
CE	Знак, який засвідчує, що виріб відповідає основним вимогам директив ЄС та гармонізованим стандартам Європейського Союзу.
	Корисна інформація.
	Не викидайте електроінструмент в побутове сміття.

Призначення електроінструменту

Акумуляторний оприскувач призначений для розпилення рідких речовин - води, пестицидів, рідких добрив тощо.

Елементи пристрою електроінструменту

- 1 Кріплення для ременя
- 2 Верхня частина оприскувача (в зборі)
- 3 Вентиляційні отвори
- 4 Рукоятка
- 5 Вмикач / вимикач
- 6 Кришка баку і мірний стакан
- 7 Вхідний патрубок
- 8 Бак
- 9 Кришка акумулятора
- 10 Кнопка перевірки ступеня заряду акумулятора *
- 11 Індикатори ступеня заряду акумулятора *
- 12 Фіксатор акумулятора *
- 13 Акумулятор *
- 14 Засувка
- 15 Шкала
- 16 Шланг (в зборі) *
- 17 Розпилювач (в зборі) *
- 18 Переносний ремінь *
- 19 Зарядний пристрій *
- 20 Корпус розпилювача *
- 21 Ущільнювальне кільце *
- 22 Пряма трубка *
- 23 Гайка вигнутої трубки *
- 24 Вигнута трубка *
- 25 Штуцер різьбовий *
- 26 Гайка шлангу *
- 27 Лійка *
- 28 Наклейка зарядного пристрою *
- 29 Індикатор (червоний) *
- 30 Індикатор (зелений) *
- 31 Спусковий важіль *
- 32 Сопло *
- 33 Головка розпилювача *

* Приналежності

Перераховані, а також зображені належності, частково не входять у комплект постачання.

Монтаж та регулювання елементів електроінструменту

Перед проведенням усіх процедур витягніть із електроінструмента акумулятор 13.



Не затягуйте дуже сильно кріпильні елементи, щоб не пошкодити їх різьблення.



Монтаж / демонтаж / налаштування деяких елементів аналогічне для усіх моделей електроінструментів, в цьому випадку на малюнку пояснення конкретна модель не вказується.

Збирання / розбирання / регулювання довжини розпилювача (див. мал. 1)

- На мал. 1 показано як збирати й розбирати розпилювач 17. **Увага: дотримуйтесь послідовності встановлення деталей, і слідуйте за тим, щоб у процесі збирання ущільнювальні кільця не деформувалися.**
- Ви можете змінювати довжину розпилювача, всуваючи або висуваючи вигнуту трубку 24. Для цього послабте гайку 23, перемістіть вигнуту трубку 24 і затягніть гайку 23 (див. мал. 1.2).

Підключення шлангу (див. мал. 2)

- Підключіть шланг 16 до корпусу розпилювача 20, як показано на мал. 2.1.
- Підключіть шланг 16 до верхньої частини оприскувача 2, до вхідного патрубку 7, як показано на мал. 2.2.

Використання розпилювача (див. мал. 3, 11-12)

- На мал. 3 показані варіанти використання розпилювача 17:
 - мал. 3.1 і 12 - розпилювач 17 утримується однією рукою, при цьому електроінструмент утримується іншою рукою, висить на плечі на ремені 18, або стоїть на землі. Цей метод підходить для обприскування великих площ при обприскуванні високих гілок, роботи з драбини тощо;
 - мал. 3.2 і 13 - розпилювач 17 встановлено в рукоятку 4, електроінструмент утримується однією рукою. Цей метод підходить для швидкого оброблення великих площ у випадках, коли не потрібно піднімати розпилювач 17.

Ремень для транспортування (див. мал. 4)

На мал. 4 показано як встановлювати ремень для транспортування 18.

Наповнення баку (див. мал. 5-6)



Увага: перед наповненням баку 8 завжди знімайте верхню частину оприскувача 2.

- Відкрийте засувки 14 (див. мал. 5.1).
- Зніміть верхню частину оприскувача 2 (див. мал. 5.2).
- Відкрутіть кришку 6 (див. мал. 6.1).
- Вставте в горловину бака 8 ліжку 27 (не входить до комплекту постачання).
- Рекомендується готувати розчин для розпилення в окремій ємності, після чого заливати його в бак 8. У цьому випадку його можна краще перемішати. Проте допускається приготування розчину для розпилення безпосередньо в баку 8:
 - наповніть бак 8 водою (обсяг залитої води ви можете побачити на шкалі 15);
 - кришка 6 має розмітку й може використовуватися як мірний стакан. Налийте в кришку 6 хімікат і додайте його в бак 8 (див. мал. 6.2). **Увага: дотримуйтесь рекомендованих пропорцій при приготуванні розчину.**
- Накрутіть кришку 6 на горловину бака 8, встановіть верхню частину оприскувача 2 і закрийте засувки 14.
- Утримуючи електроінструмент у вертикальному положенні однією рукою за рукоятку 4, а другою рукою за дно бака 8, декілька разів потрусіть електроінструмент, щоб перемішати розчин для розпилення.

Зарядка акумулятора електроінструменту

Введення у експлуатацію електроінструмента

Електроінструмент поставляється з частково зарядженим акумулятором 13. Перед першим використанням обов'язково проведіть повну зарядку акумулятора 13.

Процес зарядки (див. мал. 7, 9)

- Відкрийте кришку 9 (див. мал. 7.1, 9.1).
- Натисніть на фіксор 12 і зніміть акумулятор 13 (див. мал. 7.2-7.3, 9.2-9.3).
- Підключіть зарядний пристрій 19 до мережі.
- Вставте акумулятор 13 в зарядний пристрій 19 (див. мал. 7.4, 9.4).
- Від'єднайте зарядний пристрій 19 від мережі після завершення зарядки.
- Витягніть акумулятор 13 із зарядного пристрою 19 і встановіть акумулятор 13 в електроінструмент, після чого закрийте кришку 9.

Індикатори процесу зарядки (див. мал. 8, 10)

Індикатори зарядного пристрою 30 і 29 інформують про хід процесу зарядки акумулятора 13. Інформація про значення сигналів індикаторів 30 і 29 представлена на наклейці 28 (див. мал. 8, 10).

- Мал. 8.1, 10.1 - (зелений індикатор 30 світиться, акумулятор 13 не вставлено у зарядний пристрій 19) - зарядний пристрій 19 підключено до мережі (стан готовності до зарядки).
- Мал. 8.2, 10.2 - (зелений індикатор 30 блимає, акумулятор 13 вставлений в зарядний пристрій 19) - йде процес зарядки акумулятора 13.
- Мал. 8.3, 10.3 - (зелений індикатор 30 світиться, акумулятор 13 вставлений в зарядний пристрій 19) - акумулятор 13 повністю заряджений.
- Мал. 8.4, 10.4 - (червоний індикатор 29 світиться, акумулятор 13 вставлений в зарядний при-

стрії **19**) - процес зарядки акумулятора **13** зупинений через невідповідний температурний режим. При нормалізації температурного режиму, процес зарядки відновиться.

- Мал. 8.5, 10.5 - (червоний індикатор **29** блимає, акумулятор **13** вставлений в зарядний пристрій **19**) - процес зарядки акумулятора **13** зупинений через його несправність. Замініть несправний акумулятор **13**, його подальше використання заборонено.



В процесі зарядки акумулятор 13 і зарядний пристрій 19 нагріваються - це нормально.

Вмикання / вимикання електроінструмента

Короткочасне включення / виключення

Уключити:

- Щоб увімкнути електроінструмент, перемістіть вмикач / вимикач **5** у положення "ON" (див. мал. 11.1).
- Щоб почати обприскування, натисніть і утримуйте в цьому положенні спусковий важіль **31** (див. мал. 11.1).

Виключити:

- Щоб припинити обприскування, відпустіть спусковий важіль **31** (див. мал. 11.2).
- Щоб вимкнути електроінструмент, перемістіть вмикач / вимикач **5** у положення "OFF" (див. мал. 11.1).

Включення на тривалий час / виключення

Уключити:

- Щоб увімкнути електроінструмент, перемістіть вмикач / вимикач **5** у положення "ON" (див. мал. 11.1).
- Щоб почати обприскування, натисніть і утримуйте в цьому положенні спусковий важіль **31** (див. мал. 11.1). Перемістіть спусковий важіль **31** вперед, щоб зафіксувати його в натиснутому положенні (див. мал. 11.3).

Виключити:

- Щоб припинити обприскування, перемістіть спусковий важіль **31** назад і відпустіть його (див. мал. 11.3).
- Щоб вимкнути електроінструмент, перемістіть вмикач / вимикач **5** у положення "OFF" (див. мал. 11.1).

Конструктивні особливості електроінструменту

Температурний захист (див. мал. 8.6, 10.6)

Температурний захист автоматично відключає електроінструмент при надмірному навантаженні, або якщо температура акумулятора **13** перевищує 80°C. Це захищає електроінструмент від пошкодження при недотриманні умов експлуатації. При спрацьовуванні цієї системи захисту індикатори **11** блиматимуть, як зображено на мал. 8.6, 10.6, протягом 3 секунд.

Захист від перегріву (див. мал. 8.6, 10.6)

Система захисту двигуна від перегріву автоматично вимикає електроінструмент у випадку перегріву.

У цій ситуації дайте електроінструменту охолонути, перш ніж знову увімкнути його.

При спрацьовуванні цієї системи захисту індикатори **11** блиматимуть, як зображено на мал. 8.6, 10.6, протягом 3 секунд.

Захист від перевантаження (див. мал. 8.6, 10.6)

Система захисту двигуна від перевантаження автоматично вимикає електроінструмент, у випадку, якщо він працює таким чином, що споживає надмірно високий струм.

При спрацьовуванні цієї системи захисту індикатори **11** блиматимуть, як зображено на мал. 8.6, 10.6, протягом 3 секунд.

Захист від глибокого розряду

Акумулятор **13** має систему захисту від глибокого розряду. У випадку повного розрядження акумулятора **13**, електроінструмент автоматично вимикається. **Увага: не намагайтеся вмикати електроінструмент при спрацьовуванні системи захисту - у цьому випадку акумулятор 13 може бути пошкоджено.**

Індикатори ступеня заряду акумулятора (див. мал. 8.7, 10.7)

При натисненні на кнопку **10** індикатори **11** показують ступінь зарядки акумулятора **13** (див. мал. 8.7, 10.7).

Переносний ремінь (див. мал. 4)

Для зручності транспортування, а також для більшої мобільності під час роботи використовуйте переносний ремінь **18**. Приєднайте ремінь **18** до кріплення **1** (див. мал. 4). За необхідності відрегулюйте довжину ременя **18**, таким чином, щоб Вам було зручно переносити електроінструмент.

Регулювання форми факела розпилення (див. мал. 12, 13)

Повертаючи голівку розпилювача **32**, можна налаштувати форму факела розпилення (див. мал. 12, 13).

Рекомендації при роботі електроінструментом



Увага: розчин для обприскування повинен мати консистенцію води, забороняється розпилювати більш густі речовини, це може призвести до поломки електроінструмента.

- Підготуйте розчин для обприскування й заповніть бак **8**.
- Виконайте регулювання довжини вигнутої трубки **24**.
- Увімкніть електроінструмент і почніть обприскування. Якщо необхідно, виконайте регулювання форми факела розпилення.
- Якщо в процесі роботи розчин розпилюється нерівномірно, перевірте кількість рідини в баку **8**, якщо необхідно, додайте. Також можливо засмітився отвір сопла **32** або отвір у голівці розпилю-

вача **33**, якщо необхідно, прочистіть їх, як описано нижче.

- Після закінчення робіт вимкніть електроінструмент і від'єднайте верхню частину оприскувача **2**. Злийте розчин, який залишився, з баку **8** і ретельно промийте кришку **6**, бак **8**, шланг **16**, розпилювач **17**, як описано нижче.

Обслуговування / профілактика електроінструмента

Перед проведенням усіх процедур витягніть із електроінструмента акумулятор **13**.

Рекомендації по експлуатації акумулятора

- Своєчасно заряджайте акумулятор **13**, не чекаючи його повної розрядки. Якщо при роботі спостерігається падіння потужності, необхідно перервати роботу і зарядити акумулятор **13**.
- Не заряджайте повністю заряджений акумулятор **13**, це скоротить термін його служби.
- Заряджайте акумулятор **13** при температурі 10°C - 40°C (50°F - 104°F).
- Якщо електроінструмент не використовується тривалий час, заряджайте акумулятор **13** кожні 6 місяців.
- Своєчасно замінюйте акумулятори, що виробили свій ресурс. Падіння продуктивності або значне скорочення часу роботи електроінструментом після зарядки указує на старіння акумулятора **13** і необхідність його заміни. Також слід враховувати, що акумулятор **13** може розряджатися швидше, якщо роботи ведуться при температурі нижче 0°C.
- При тривалому зберіганні без використання рекомендується зберігати акумулятор **13** при кімнатній температурі, зарядженим на 50%.

Чищення електроінструменту (див. мал. 5-6, 14)



Увага: категорично забороняється залишати й зберігати розчин для розпилювання в баку, а також не проводити промивання елементів електроінструмента після кожного використання, це може стати причиною поломки електроінструмента, у цьому випадку ви втрачаєте право на гарантійний ремонт.

- Після закінчення робіт вимкніть електроінструмент.
- Від'єднайте верхню частину оприскувача **2** (див. мал. 5).
- Відкрутіть кришку **6** (див. мал. 6) і ретельно промийте її і бак **8** під проточною водою.
- Наповніть бак **8** водою (приблизно 2 літри), закрийте кришку **6**, встановіть верхню частину оприскувача **2**, і увімкніть електроінструмент.
- Розпилюйте чисту воду, щоб промити насос електроінструмента, а також шланг **16** і розпилювач **17**. Пам'ятайте, вода, що розпилюється, містить хімікат, який ви розпилювали перед цим, дотримуйтесь запобіжних заходів.

- За необхідності ви можете відкрутити сопло **32** і прочистити отвір у ньому, також отвори в голівці розпилювача **33** проволочкою відповідного діаметру (див. мал. 14). **Увага: не використовуйте для цієї процедури сталеву проволочку, голки, свердла тощо - ви можете пошкодити сопло 32 або голівку розпилювача 33.**

- Промийте під проточною водою всі принадлежності, які використовувались, - емності для змішування розчину, лійку **27** тощо.

- Обов'язковою умовою для довгострокової і безпечної експлуатації електроінструменту є вміст його в чистоті. Регулярно продувайте електроінструмент стислим повітрям через вентиляційні отвори **3**.

Післяпродажне обслуговування

Відповіді на питання щодо ремонту та обслуговування вашого продукту Ви можете отримати в сервісних центрах. Інформацію про сервісні центри, схеми запчастин та інформацію по запчастинах Ви можете знайти за адресою: www.crown-tools.com.

Транспортування електроінструменту

- Не допускайте падіння упаковки, а також будь-якого механічного впливу на неї транспортуванні.
- При завантаженні / розвантаженні не використовуйте навантажувальну техніку що працює за принципом затиску упаковки.

Li-Ion акумулятори

На Li-Ion акумулятори поширюються спеціальні правила транспортування небезпечних вантажів. Немає необхідності дотримання додаткових норм тільки при перевезенні акумуляторів самим користувачем на автомобільному транспорті. Дотримуйтесь особливих вимог до упаковки і маркування при перевезенні із залученням третіх осіб (напр.: літаком). У цьому випадку, при підготовці вантажу до відправлення, необхідна участь експерта по небезпечним вантажам.

Можлива відправка акумуляторів тільки з неушкодженим корпусом. Необхідно ізолювати відкриті контакти і упакувати акумулятор так, щоб він не переміщувався всередині упаковки. Також необхідно дотримуватись додаткових національних приписів.

Захист навколишнього середовища



Переробка сировини замість утилізації відходів.

Електроінструмент, додаткові принадлежності й упакування варто екологічно чисто утилізувати.

В інтересах чистосортної рециркуляції відходів деталі із синтетичних матеріалів відповідно позначені. Дійсний посібник з експлуатації надрукований на папері, виготовленій з вторсировини без застосування хлору.

Обновляється можливість внесення змін.

Українська

Қозғалтқыш құралдың сипаттамалары

Сымсыз бүріккіш		СТ29003НХ-2	СТ29003НХ-4
Қозғалтқыш құралдың коды		12 бетті қараңыз	
Номиналды кернеу	[В]	20 *	20 *
Батарея түрі		Li-Ion	Li-Ion
Батареяны зарядтау уақыты	[мин]	60	60
Батарея қуаты	[Асағ]	2	4
Ағын жылдамдығы	[мл/мин]	500	500
Ең жоғары қысым	[бар]	2	2
Саптама Ø	[мм] [дюйм]	1,7 1/16"	1,7 1/16"
Құтының сыйымдылығы	[л]	7,5	7,5
Салмағы	[кг] [фунт]	2,52 5.56	2,83 6.24
Қауіпсіздік класы		III	III
Дыбыс қысымы	[дБ(А)]	—	—
Акустикалық күші	[дБ(А)]	—	—
Өлшенетін тербеліс	[м/с ²]	—	—

* Батареяның (жұмыс жүктемесізін өлшенген) максимум бастапқы кернеуі 20 В. Номинал кернеуі 18 В.

Шу туралы ақпарат



Дыбыс қысымы осетін болса,
әрдайым құлақ қорғаушысын
киіңіз 85 дБ(А).



ЕСКЕРТУ - Жарақат қаупін азайту үшін пайдаланушы пайдалану нұсқаулығын оқып шығуы керек!

Жалпы қауіпсіздік ережелері

CE Сәйкестік жөнінде мәлімдеме

Жеке жауапкершілікпен біз "Қозғалтқыш құралдың сипаттамалары" де сипатталған өнімнің 2006/42/ EC, 2014/30/EU ережелеріндегі барлық тиісті анықтамаларына өзгерістері менен бірге сәйкес екенін және төмендегі нормаларға сай екенін кепілдендіреміз:
EN 60745-1:2009/A11:2010,
EN 50580:2012/A11:2013,
EN 55014-1:2017,
EN 55014-2:2015.

Сертификаттау менеджері

Wu Cunzhen

Wu Cunzhen



ЕСКЕРТУ! Осы электр құралымен берілген барлық қауіпсіздік ескертулерін, нұсқауларды, суреттерді және сипаттамаларды оқыңыз.

Ескертулер мен нұсқауларды орындамау тоқ соғуына, өртке және / немесе ауыр жарақатқа әкелуі мүмкін.

Барлық ескертулер мен нұсқауларды болашақта анықтама алу үшін сақтап қойыңыз.

Ескертулердегі "электр құрал" термині желіден жұмыс істейтін (сымды) электр құралын немесе батареядан жұмыс істейтін (сымсыз) электр құралын білдіреді.

Жұмыс аумағының қауіпсіздігі

• Жұмыс аумағын таза және жақсы жарықтандырылған күйде ұстаңыз. Ретсіз немесе күңгірт аумақтар сәтсіз жағдайларға әкеледі.

Merit Link International AG
Stabio, Швейцария, 28.07.2021

Қазақ тілі

- **Электр құралдарды жарылғыш атмосфераларда пайдаланбаңыз, мысалы, тұтанғыш сұйықтықтар, газдар немесе шаң бар жерде.** Электр құралдар шаңды немесе түтіндерді тұтандыруы мүмкін ұшқындарды тудырады.
- **Электр құралды пайдалану кезінде балаларды және маңайдағы адамдарды аулақ ұстаңыз.** Алаңдату басқаруды жоғалтуға әкелуі мүмкін.

Электр қауіпсіздігі

- **Электр құралдардың ашалары розеткаға сәйкес болуы керек.** Ашаны ешқашан ешбір түрде өзгертуге болмайды. Жерге қосылған электр құралдарымен бірге ешбір адаптер ашасын пайдалануға болмайды. Өзгертілмеген ашалар және сәйкес розеткалар тоқ соғу қаупін азайтады.
- **Құбырлар, жылытқыштар, ауқымдар және тоңазытқыштар сияқты жерге қосылған беттерге дененің тиюін болдырмаңыз.** Дененің жерге қосылған болса, тоқ соғу қаупі артады.
- **Электр құралдарына жаңбырдың немесе ылғалды жағдайлардың әсерін тигізбеңіз.** Электр құралға кіретін су тоқ соғу қаупін арттырады.
- **Сымды дұрыс емес пайдалануға болмайды.** Сымды электр құралды ұстап жүру, тарту немесе розеткадан ажырату үшін ешқашан пайдаланбаңыз. Сымды жылудан, майдан, үшкір жиектерден немесе қозғалатын бөліктерден аулақ ұстаңыз. Зақымдалған немесе шатасқан сымдар тоқ соғу қаупін арттырады.
- **Электр құралды сыртта пайдаланғанда сыртта пайдалануға жарамды ұзартқыш сымды пайдаланыңыз.** Сыртта пайдалануға жарамды сымды пайдалану тоқ соғу қаупін азайтады.
- **Электр құралды ылғалды орында пайдалану керек болса, қалдық тоқтан қорғау құралын пайдаланып қуат бөріңіз.** Қалдық тоқтан қорғау құралын пайдалану тоқ соғу қаупін азайтады. ЕСКЕРТПЕ! "Қалдық тоқтан қорғау құралы (RCD)" термині "жерге қысқа тұйықталу өшіргіші (GFCI)" немесе "жерге аққан кездегі тізбек ажыратқышы (ELCB)" терминімен ауыстырылуы мүмкін.
- **Ескерту!** Редуктордағы, қалқандағы және т.с.с. ашық металл беттерге ешқашан тиемеңіз, өйткені металл беттерге тию электромагниттік толқындарға кедергі келтіріп, осылайша жарақаттарға немесе сәтсіз жағдайларға әкелуі мүмкін.

Жеке қауіпсіздік

- **Электр құралды пайдаланып жатқанда қырағы болыңыз, істеп жатқаныңызды қадағалаңыз және дұрыс ақылды пайдаланыңыз.** Электр құралды шаршап тұрғанда, я болмаса, есірткілердің, алкогольдің немесе дәрінің әсерінде болғанда пайдалануға болмайды. Электр құралдарын пайдалану кезінде бір сәт зейін бөлмеу ауыр жарақатқа әкелуі мүмкін.
- **Жеке қорғағыш жабдықты пайдаланыңыз.** Өрқашан кезді қорғау құралын киіңіз. Тиісті жағдайлар үшін пайдаланылатын шаң маскасы, сырғымайтын қауіпсіздік аяқ киімі, қатты қалпақ немесе естуді қорғау құралы сияқты қорғағыш жабық жарақаттарды азайтады.
- **Кездейсоқ іске қосылуы болдырмаңыз.** Құралды қуат көзіне және / немесе батареялар

жинағына қосу, көтеру немесе ұстап жүру алдында қосқыш өшірулі күйде екеніне көз жеткізіңіз. Электр құралды саусақты қосқышқа қойып ұстап жүру немесе қосқышы қосулы күйдегі электр құралдарына қуат беру сәтсіз жағдайларға әкеледі.

- **Электр құралын қосу алдында кез келген реттеу кілтін алыңыз.** Электр құралдың айналатын бөлігіне жалғанған күйде қалдырылған кілт жарақатқа әкелуі мүмкін.
- **Қатты жақындамаңыз.** Өрқашан тиісті қалыпты және теңгерімді сақтаңыз. Бұл күтпеген жағдайларда электр құралын жақсырақ басқаруға мүмкіндік береді.
- **Тиісті киімді киіңіз.** Бос киімді немесе зергерлік бұйымдарды кимеңіз. Шашты, киімді және қолғапты қозғалатын бөліктерден аулақ ұстаныңыз. Бос киім, зергерлік бұйымдар немесе ұзын шаш қозғалатын бөліктерде тұрып қалуы мүмкін.
- **Шаңды шығарып алу және жинау құралдары қамтамасыз етілген болса, бұларды қосуды және тиісті түрде пайдалануды қамтамасыз етіңіз.** Шаң жинауды пайдалану шаңға қатысты қауіптерді азайтады.
- **Құралдарды жиі пайдаланудан алынған таныстықтың сізді масаттануға және құрал қауіпсіздігі принциптерін өлемеуге әкелуіне жол бермеңіз.** Абайсыз әрекет секундтың бір бөлімінде ауыр жарақаттауы мүмкін.
- **Ескерту!** Пайдалану кезінде электр құралдар электромагниттік өріс тудырады. Кейбір жағдайларда бұл өріс белсенді немесе пассивті медициналық имплантаттарға кедергі келтіруі мүмкін. Ауыр немесе өлімге әкелетін жарақатты болдырмау үшін медициналық имплантаттары бар адамдарға осы электр құралды пайдалану алдында дәрігермен және медициналық имплантат өндірушісімен кеңесу ұсынылады.

Электр құралды пайдалану және қуту

- **Психозикалық немесе ақыл-ой қабілеттері төмен адамдар, сонымен бірге балалар бұл электр құралды тек қауіпсіздігіне жауапты адам қадағаласа немесе электр құралды пайдалану туралы нұсқаулар берсе, пайдалана алады.**
- **Электр құралға күш түсірмеңіз.** Жағдайға сай дұрыс электр құралын пайдаланыңыз. Дұрыс электр құралы өзі арналған жылдамдықпен жұмысты жақсырақ және қауіпсіздеу орындайды.
- **Қосқыш қоспаса және өшірмесе, электр құралды пайдалануға болмайды.** Қосқышпен басқару мүмкін емес кез келген электр құрал қауіпті және жөнделуі керек.
- **Кез келген реттеулерді жасау, қосалқы құралдарды ауыстыру немесе электр құралдарды сақтауға қою алдында ашаны қуат көзінен және / немесе батареялар жинағын электр құралдан ажыратыңыз.** Мұндай алдыналуға арналған сақтық шаралары электр құралының кездейсоқ іске қосылуы қаупін азайтады.
- **Жұмыссыз тұрған электр құралдарын балалардан аулақ ұстаңыз және электр құралмен немесе осы нұсқаулармен таныс емес адамдарға электр құралын пайдалануға рұқсат етпеңіз.** Электр құралдар оқытылмаған пайдаланушылардың қолдарында қауіпті болады.

- Электр құралдарына техникалық қызмет көрсетіңіз. Қозғалатын бөліктердің қате туралануы немесе тұрып қалуы, сынған бөліктер және электр құралдың жұмысына әсер етуі мүмкін кез келген басқа жағдай бар-жоғын тексеріңіз. Зақымдалса, пайдалану алдында электр құралын жөндетіңіз. Көп сәтсіз жағдайларды нашар техникалық қызмет көрсетілетін электр құралдары тудырады.
- Кесу құралдарын өткір және таза күйде ұстаңыз. Тиісті түрде техникалық қызмет көрсетілетін, үшкір кесу жиектері бар кесу құралдарының тұрып қалу ықтималдығы азырақ және оларды басқару оңайырақ.
- Электр құралын, қосалқы құралдарды және құралдың кескіштерін, т.б. Осы нұсқауларға сай, жұмыс жағдайларын және орындалатын жұмысты ескере отырып пайдаланыңыз. Электр құралды көрсетілгеннен басқа әрекеттер үшін пайдалану қауіпті жағдайға әкелуі мүмкін.
- Тұтқаларды және ұстайтын беттерді құрғақ, таза және май емес күйде ұстаңыз. Жылпылдақ тұтқалар және ұстайтын беттер күтпеген жағдайларда құралды қауіпсіз ұстауға және басқаруға мүмкіндік бермейді.
- Электр құралды пайдаланғанда қосымша тұтқаны дұрыс ұстаңыз. Бұл электр құралын басқарғанда пайдалы. Сондықтан дұрыс ұстау сәтсіз жағдайлардың немесе жарақаттардың қаупін азайтады.

Батарея құралын пайдалану және күту

- Тек өндіруші көрсеткен зарядтағышпен зарядтаңыз. Батарея жинағының бір түріне арналған зарядтағыш басқа батарея жинағымен бірге пайдаланғанда, қауіп төндіруі мүмкін.
- Электр құралдарын тек арнайы белгіленген батарея жинақтарымен бірге пайдаланыңыз. Кез келген басқа батарея жинақтарын пайдалану жарақат алу және өрт қаупін төндіруі мүмкін.
- Пайдаланылмайтын кезде батарея жинағын бір клемма мен екіншісін қосуы мүмкін қыстырғыштар, тиындар, кілттер, шегелер, бұрандалар сияқты басқа металл заттардан немесе басқа шағын металл заттардан аулақ ұстаңыз. Батарея клеммаларын тұйықтау күйіктерге немесе өртке әкелуі мүмкін.
- Сырты зақымдалған жағдайларда батареядан сұйықтық шығуы мүмкін. Оған тиеніңіз. Егер оған кездейсоқ тисеңіз, сумен шайыңыз. Егер сұйықтық көздерге тисе, оған қоса медициналық көмекке жүгініңіз. Батареядан шыққан сұйықтық тітіркенуді немесе күйіктерді тудыруы мүмкін.
- Кездейсоқ қосылуын болдырмаңыз. Батарея жинағын салу алдында қосу / өшіру қосқышы өшірулі күйінде екеніне көз жеткізіңіз. Электр құралды қосу / өшіру қосқышына саусақты қойып ұстау немесе қосылуы тұрған электр құралдарға батарея жинағын салу сәтсіз жағдайларға әкеледі.
- Батареяны ашпаңыз. Қысқа тұйықталу қаупі бар.
- Батарея зақымдалса және дұрыс емес пайдаланылса, булар шығуы мүмкін. Ыңғайсыздық сезген жағдайларда таза ауаны қамтамасыз етіңіз және медициналық көмекке жүгініңіз. Булар тыныс алу жүйесін тітіркендіруі мүмкін.

- Батарея ақаулы болса, сұйықтық шығуы және маңайдағы құрамдастарға тиюі мүмкін. Қатысты кез келген бөліктерді тексеріңіз. Мұндай бөліктерді қажетінше тазалаңыз немесе ауыстырыңыз.
- Батареяны жылудан, мысалы, үздіксіз күн сәулесінен және өрттен де қорғаңыз. Жарылыс қаупі бар.



ЕСКЕРТУ! Барлық қауіпсіздік туралы ескертулерді және барлық нұсқауларды оқып шығыңыз.

- Зарядтағышты жаңбыр мен ылғалдан қорғаңыз. Зарядтағышқа судың кіруі тоқ соғу қаупін арттырады.
- Басқа батареяларды зарядтауға болмайды. Зарядтағыш тек тізімдегі кернеу ауқымы бар литий - ионды батареяларды зарядтауға арналған. Әйтпесе өрт және жарылыс қаупі бар.
- Зарядтағышты таза күйде ұстаңыз. Ластану тоқ соғу қаупін тудыруы мүмкін.
- Пайдалану алдында зарядтағышты, кабельді және ашаны тексеріңіз. Ақаулар анықталғанда зарядтағышты пайдалануға болмайды. Зарядтағышты өзіңіз ашпаңыз және оны тек түпнұсқалық қосалқы бөлшектерді пайдаланатын білікті мамандарға жөндетіңіз. Зақымдалған зарядтағыштар, кабельдер және ашалар тоқ соғу қаупін арттырады.
- Зарядтағышты оңай тұтанатын беттерде (мысалы: қағаз, тоқыма мата, т.б.) немесе жанғыш орталарда пайдалануға болмайды. Зарядтау кезінде зарядтағыштың қызуына байланысты өрт қаупі бар.

Қызмет көрсету

- Электр құралына білікті жөндеу маманы түпнұсқалық ауыстыру бөлшектерін пайдаланып қызмет көрсетуі керек. Бұл электр құралының қауіпсіздігін сақтауды қамтамасыз етеді.
- Майлау және қосалқы құралдарды ауыстыру туралы нұсқауларды орындаңыз.

Электр құралды пайдалану кезіндегі қауіпсіздік туралы нұсқаулар

Жұмысқа кіріспес бұрын



Электр құралын зақымдауы мүмкін заттарды шашыратпаңыз. Нәтижесінде, электр құралы зақымдалған болса, кепілдігіңізді жоясыз.

- Уыттылығы мен оларды өңдеу процедураларын жақсы түсіну үшін, шашыратқыңыз келетін заттар туралы өндірушінің нұсқауларын мұқият оқып шығыңыз.
- Спрей қалдықтарын сұйылту, сақтау және жою бойынша ұсыныстарды мұқият орындаңыз. Химиялық заттарды дұрыс таңдамау немесе ерітінді дайындаудағы пропорциялардың қате болуы дақылдарға зиян келтіруі және денсаулыққа қауіпті болуы мүмкін.
- Егер улы заттарды шашыратқыңыз келсе, ерітіндіні тұрғын жайлардан, мал қораларынан,

азық-түліктерден және жемшөп сататын дүкендерден тыс ашық жерде араластырыңыз.

• Заттардың келесі түрлерін шашыратуға қатаң тыйым салынады:

- тез тұтанатын заттар (бензин, еріткіштер және т.б.) - бұл өрттің немесе жарылыстың себебі болуы мүмкін;
 - коррозиялық заттар (қышқылдар, сілтілер және т.б.) - бұл электр құралының бөлшектерін зақымдауы мүмкін;
 - тығыз заттар (бояулар, майлар және т.б.);
 - тамақ өнімдері.
- Сыртқы температурадан ыстық сұйықтықтарды шашыратпаңыз.
- Резервуарды сумен толтырған кезде, шлангінің ұшын немесе су шүмегін баққа батырмаңыз.

Жұмыс кезінде

- Электр құралын тек тиісінше пайдалану бойынша оқытудан өткен немесе оны дұрыс қолдануға болатындығын көрсете алатын адамдар ғана басқаруы керек.
- Балалар мен жасөспірімдердің электр құралдарын қолдануға қатаң тыйым салынады.
- Электр құралын пайдаланушысының қасында 10 метр қашықтықтай жақын жерде адамдар немесе жануарлар болмауы керек. Жанына адамдар немесе жануарлар жақындағанда, шашыратуды тоқтату керек.
- Жылыжайларда жұмыс жасағанда ерекше сақ болыңыз, жеткілікті желдетуді қамтамасыз етіңіз.
- Қауіпті заттарды шашыратқанда, деммен жұтудың алдын-алу үшін немесе олармен байланысқа түспеу үшін міндетті түрде жеке қорғаныс құралдарын қолданыңыз (бас қорғанысы, көзілдірік, бет қалқаны, қолғап, жабық аяқ киімі сияқты қорғаныс жабдығын қолданған жөн). Теріңізге химиялық заттар тиген жағдайда оны дереу сабынмен және ағын сумен жуыңыз. Химиялық заттар көзіңізге тиген жағдайда, ағынды сумен дереу шайыңыз. Егер тітіркену жойылмаса, дереу медициналық көмекке жүгініңіз.
- Жұмыс кезінде тамақтануға, ішуге немесе темекі шегуге қатаң тыйым салынады - шашыратылған заттың бөлшектерін деммен жұтуға немесе жұтып қоюға болады, бұл аллергиялық реакциялар, улану, тіпті өлімге әкелуі мүмкін.
- Бүріккішті өзіңізге, басқа адамдарға немесе жануарларға бағыттамаңыз.
- Жұмыс кезінде желдің бағытын ескеріп, жел шашыратылған затты апармайтындай етіп тұрыңыз. Қатты желде жұмыс жасамаңыз.
- Жаңбыр астында жұмыс істеуге немесе электр құралын жаңбырда немесе қарда қалдыруға тыйым салынады.
- Жұмыс кезінде қоршаған ауаның "тұманға" толатынын есте ұстаған жөн. Ол бүріккіш заттың кішкене тамшыларынан тұрады, олар кейіннен қоршаған беттерге орналасады. "Тұман" тұнбасы жағымсыз болатын беттерді жабу керек. Көшеде жұмыс істеген кезде "тұман" желдің әсеріне ұшырайды. Бұл жағымсыз салдарға әкелуі мүмкін (денсаулыққа зиян, қоршаған ортаның ластануы).
- Резервуарда сұйықтық болмаса, электр құралын пайдаланбаңыз. Бұл электр құралы бөлшектерінің тез тозуына әкеледі.
- Егер электр құралын пайдалану кезінде тасымалдау қажет болса, резервуар қақпағының

тығыздығын тексеріп, оны аударып алмау үшін электр құралын тік күйде бекітіңіз.



Егер жұмыс кезінде бас ауруы, бас айналу және т.б. сезсеңіз, дереу жұмысты тоқтатып, дәрігермен кеңесіңіз. Сондай-ақ, дәрігерге қолданылған химикаттың атауын және жұмыс жағдайларын айтыңыз.

Жұмысты аяқтағаннан кейін

- Өрбір қолданғаннан кейін, резервуар мен бүріккіш атомизаторды төменде сипатталғандай шайыңыз. Мұны жасамау электр құралының бұзылуына әкелуі мүмкін, бұл жағдайда кепілдік бойынша жөндеу құқығыңыздан айырыласыз.
- Бүріккіштің қалдықтарын өндірушінің ұсыныстарын қатаң түрде орындаңыз.
- Резервуарды шайғаннан кейін суды су қоймаларына немесе жер асты суларына түсе алмайтын жерлерге ағызу керек.
- Жұмысты аяқтағаннан кейін қолыңызды мұқият жуыңыз, өзіңізді жуыңыз және тамағыңызды шайыңыз. Сондай-ақ, киімді ауыстырған жөн.

Нұсқаулықта қолданылатын таңбалар

Пайдалану нұсқаулығында төменде берілген таңбалар қоладнылады, олардың мағынасын есте сақтаңыз. Таңбаларды дұрыс түсіндіру электр құралды дұрыс және қауіпсіз қолдануға көмектеседі.

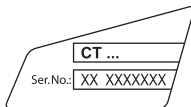
Таңба

Мағына



Сымсыз бүріккіш

Сұр түспен белгіленген аумақтар жұмсақ қабат (оқшауланған қабаты бар).



Сериялық нөмір бар жапсырма:

СТ ... - үлгі;
XX - өндіру күні;
XXXXXXX - сериялық нөмір.





Қауіпсіздік техникасы туралы барлық нұсқаулармен және нұсқаулармен танысыңыз.



Қорғағыш көзілдірікті киіңіз.

Таңба	Мағына
	Респираторды киіңіз.
	Қорғаныс матасын киіңіз.
	Қорғағыш қолғапты киіңіз.
	Жаңбыр кезінде жұмыс жасамаңыз.
	Аккумуляторды 45°С-тан жоғары қыздырмаңыз. Оны тік күн сәулелерінің ұзақ әсерінен қорғаңыз.
	Аккумуляторды тұрмыстық қоқысқа лақтырмаңыз.
	Аккумуляторды отқа лақтырмаңыз.
	Аккумулятордың жаңбыр астына түсуіне жол бермеңіз.
	Батареяны зарядтау уақыты.
	Қозғалыс бағыты.
	Айналу бағыты.
	Бұғатталған.
	Бұғаттаудан шығарылған.
III	Қорғау сыныбы.
	Назар аударыңыз. Маңызды ақпарат.

Таңба	Мағына
	Бұйым ЕО директиваларының негізгі талаптарына және Еуропалық Одақтың үйлестірілген стандарттарына сай екенін куәландыратын белгі.
	Пайдалы ақпарат.
	Электр құралды тұрмыстық қоқысқа лақтырмаңыз.

Қозғалтқыш құралын қолдану салалары

Сымсыз бүріккіш сұйық заттарды - суды, пестицидтерді, сұйық тыңайтқыштарды және т.б. шашыратуға арналған.

Қозғалтқыш құралдың құрамдастары

- 1 Белдік қыстырғыш
- 2 Бүріккіштің үстіңгі жағы (жиналған)
- 3 Ауа алмасатын тесіктер
- 4 Тұтқа
- 5 Қосу / өшіру батырмасы
- 6 Резервуар қақпағы және өлшеуіш шыныаяқ
- 7 Кіріс қосылымы
- 8 Резервуар
- 9 Батарея қақпағы
- 10 Батареяны зарядтау күйін басқару түймесі *
- 11 Батареяны зарядтау күйінің индикаторы *
- 12 Батарея құлпы *
- 13 Батарея *
- 14 Ілмек
- 15 Шәкіл
- 16 Шланг (жиналған) *
- 17 Шашыратқыш (жиналған) *
- 18 Ұстау белдігі *
- 19 Зарядтағыш *
- 20 Бүріккіш атомизатор корпусы *
- 21 Тығыздатқыш сақина *
- 22 Түзу түтік *
- 23 Иілген түтік гайкасы *
- 24 Қисық түтік *
- 25 Бұрандалы арматура *
- 26 Шланг гайкасы *
- 27 Құйғыш *
- 28 Зарядтағыш жапсырмасы *
- 29 Индикатор (қызыл) *
- 30 Индикатор (жасыл) *
- 31 Іске қосу тетігі *
- 32 Саптама *
- 33 Шашыратқыштың басы *

* Қосымша құрамдастар

Кейбір суреттелген немесе сипатталған құрамдастар стандарттық жабдықтау ретінде қосылмаған.

Қозғалтқыш құралдың бөлшектерін орнату және жөнге салу

Электр құралында жұмыстарды орындаудан бұрын, батареяны 13 алып тастаңыз.



Бекіткіш бөлшектер бұрандаларын бұзып алмау үшін тым қатты тартпаңыз.



Кейбір элементтерді бекіту / шығару / орнату жолдары барлық қозғалтқыш құралдарда бірдей, бұл жағдайда ерекше модельдер суреттелмеген.

Бүріккіш атомизатор ұзындығын жинау / бөлшектеу / реттеу (1 сур. қараңыз)

- 1 суретте бүріккіш атомизаторды 17 жинау және бөлшектеу жолы көрсетілген. **Абайлаңыз: бөлшектерді орнату ретін сақтаңыз және монтаждау кезінде сақиналардың деформацияланбағанына көз жеткізіңіз.**
- Шашыратқыштың ұзындығын қысқарту түтікті 24 ішке немесе сыртқа итеру арқылы реттей аласыз. Ол үшін гайканы 23 босатып, иілген түтікті 24 жылжытып, гайканы 23 қатайтыңыз (1.2 сур. қараңыз).

Шлангині қосу (2 сур. қараңыз)

- Шлангині 16 2.1 суретте көрсетілгендей шашыратқыштың корпусына 20 жалғаңыз.
- Шлангині 16 2.2 суретте көрсетілгендей шашыратқыштың жоғарғы бөлігіндегі 2 кіріс коннекторына 7 жалғаңыз.

Бүріккіш атомизаторды қолдану (3, 11-12 сур. қараңыз)

- 3 суретте бүріккіш атомизаторды 17 қолдану нұсқалары көрсетілген:
 - 3.1 және 12 суреттер - бүріккіш атомизаторын 17 бір қолмен ұстап, электр құралды екінші қолмен ұстайды, белдікпен 18 иыққа ілінеді немесе жерге қояды. Бұл әдіс үлкен аумақтарға шашыратуға, биік бұтақтарды бүрку кезінде, баспалдақтан жұмыс жасау кезінде және т.б. қолайлы;
 - 3.2 және 13 сурет - бүріккіш атомизатор 17 тұтқаға 4 орнатылған, электр құралы бір қолмен ұсталады. Бұл әдіс шашыратқыш шашыратқышты 17 көтеру қажет болмаған жағдайларда үлкен аумақтарды жылдам өңдеуге жарайды.

Тасымалдау белбеуі (4 сур. қараңыз)

4 суретте тасымалдау белдігін 18 қалай орнату керектігі көрсетілген.

Резервуарды толтыру (5-6 сур. қараңыз)



Абайлаңыз: резервуарды 8 толтырар алдында әрқашан бүріккіштің үстіңгі бөлігін 2 алыңыз.

- Бекіткіштерді 14 ашыңыз (5.1 сур. қараңыз).
- Бүріккіштің 2 үстін алыңыз (5.2 сур. қараңыз).

- Қақпағын 6 бұрап алыңыз (6.1 сур. қараңыз).
- Құйғышты 27 (жеткізу жиынтығына кірмейді) резервуар 8 мойнына салыңыз.
- Ерітіндіні бүрку үшін арнайы контейнерге дайындаған жөн, содан кейін оны резервуарға 8 құю керек. Бұл жағдайда оны жақсылап араластыруға болады. Алайда, шашыратуға арналған ерітіндіні тікелей резервуарға 8 дайындауға рұқсат етіледі:
 - резервуарды 8 сумен толтырыңыз (толтырылған судың көлемін шөкіл 15 бойынша көре аласыз);
 - қақпағы 6 белгіленген және өлшеуіш шыныаяқ ретінде пайдалануға болады. Қақпағына 6 химиялық затты құйыңыз да, оны 8 ыдысқа салыңыз (6.2 сур. қараңыз). **Абайлаңыз: ерітіндіні дайындаған кезде ұсынылған пропорцияларды сақтаңыз.**
- Қақпақты 6 резервуардың мойнына 8 бұрап бекітіңіз, шашыратқыштың жоғарғы бөлігін 2 орнатыңыз және ысырмаларды 14 жабыңыз.
- Электр құралы тік күйінде бір қолымен сабына 4, ал екінші қолымен ыдыстың 8 түбінде ұстап тұрып, шашыратуға арналған ерітіндіні араластыру үшін электр құралын бірнеше рет шайқаңыз.

Электр құралының батареясын зарядтау тәртібі

Қозғалтқыш құралды алғашқы рет іске қосу

Электр құрал зарядталмаған батареямен 13 қамтамасыз етіледі. Бірінші рет пайдалану алдында батареяны 13 толығымен зарядтау керек.

Зарядтау үдерісі (7, 9 сур. қараңыз)

- Батарея қақпағын 9 ашыңыз (7.1, 9.1 сур. қараңыз).
- Батарея құлпын 12 басып, батареяны 13 алыңыз (7.2-7.3, 9.2-9.3 сур. қараңыз).
- Зарядтағышты 19 қуат көзіне жалғаңыз.
- Батареяны 13 зарядтағышқа 19 салыңыз (7.4, 9.4 сур. қараңыз).
- Зарядтаудан кейін зарядтағышты 19 қуат көзінен ажыратыңыз.
- Батареяны 13 зарядтағыштан 19 алыңыз.
- Батареяны 13 электр құралына салыңыз, содан кейін қақпақты 9 жабыңыз.

Зарядтағыш индикаторлары (8, 10 сур. қараңыз)

30 және 29 зарядтағыш индикаторлары батареяны 13 зарядтау үдерісі туралы хабарлайды. 30 және 29 индикаторларының сигналдары жапсырмада 28 көрсетілген (8, 10 сур. қараңыз).

- 8.1, 10.1 сур. - (жасыл индикатор 30 жанғанда бұл батареяның 13 зарядтау құралына 19 салынбағанын) - зарядтау құралының 19 қуат көзіне қосылуы тұрғанын (зарядталуға дайын) білдіреді.
- 8.2, 10.2 сур. - (жасыл индикатор 30 жыпылықтағанда бұл батареяның 13 зарядтау құралына 19 салынғанын) - батареяның 13 зарядталуын білдіреді.
- 8.3, 10.3 сур. - (жасыл индикатор 30 жанғанда бұл батареяның 13 зарядтау құралына 19 салынғанын) - батареяның 13 толық зарядталғанын білдіреді.

Қазақ тілі

- 8.4, 10.4 сур. - (қызыл индикатор **29** жанғанда бұл батареяның **13** зарядтау құралына **19** салынғанын) - батареяның **13** зарядталуы сәйкес емес температураға байланысты тоқтатылғанын білдіреді. Температура деңгейі қалыпты мәнге жеткенде зарядталу жалғасады.
- 8.5, 10.5 сур. - (қызыл индикатор **29** жыпылықтағанда бұл батареяның **13** зарядтау құралына **19** салынғанын) - батареяның **13** зарядталуы оның зақымдалуына байланысты тоқтатылғанын білдіреді. Ақаулы батареяны **13** ауыстырыңыз, оны қайта пайдалануға болмайды.



Зарядтау барысында батарея 13 және зарядтағыш 19 қызады, бұл қалыпты үдеріс.

Қозғалтқыш құралды қосу / өшіру

Қысқа уақытқа қосу / өшіру

Қосу:

- Электр құралын қосу үшін **5** қосу / өшіру қосқышын "ON" күйіне ауыстырыңыз (11.1 сур. қараңыз).
- Шашыратуды бастау үшін **31** триггерін осы күйде басып тұрыңыз (11.1 сур. қараңыз).

Өшіру:

- Бүркүді тоқтату үшін **31**-ші триггерді босатыңыз (11.2 сур. қараңыз).
- Электр құралын өшіру үшін қосқышын **5** "OFF" күйіне ауыстырыңыз (11.1 сур. қараңыз).

Ұзақ уақытқа қосу / өшіру

Қосу:

- Электр құралын қосу үшін қосу / өшіру қосқышын **5** "ON" күйіне ауыстырыңыз (11.1 сур. қараңыз).
- Шашыратуды бастау үшін триггерін **31** осы күйде басып тұрыңыз (11.1 сур. қараңыз). Триггерді **31** алға жылжытыңыз, оны қысылған күйде бекітіңіз (11.3 сур. қараңыз).

Өшіру:

- Бүркүді тоқтату үшін триггерді **31** артқа жылжытыңыз да, босатыңыз (11.3 сур. қараңыз).
- Электр құралын өшіру үшін қосу / өшіру қосқышын **5** "OFF" күйіне ауыстырыңыз (11.1 сур. қараңыз).

Қозғалтқыш құралдың дизайн мүмкіндіктері

Температурадан қорғау (8.6, 10.6 сур. қараңыз)

Температурадан қорғау жүйесі артық жүктеме жағдайында немесе батарея температурасы **13** 80°C-тан асса, электр құралдың автоматты түрде өшінуіне мүмкіндік береді. Бұл жүйе пайдалану жағдайларына сай болмаған жағдайда электр құралды қорғайды. Бұл қорғаныс жүйесі іске қосылғанда, индикаторлар **11** 8.6, 10.6 суретте көрсетілгендей 3 секунд ішінде жыпылықтайды.

Қызып кетуден қорғау (8.6, 10.6 сур. қараңыз)

Қызып кету жағдайында мотордың қызып кетуден қорғау жүйесі электр құралын өшіреді. Бұл

жағдайда электр құралын қайта іске қосудан бұрын, электр құралын суытып алыңыз.

Бұл қорғаныс жүйесі іске қосылғанда, индикаторлар **11** 8.6, 10.6 суретте көрсетілгендей 3 секунд ішінде жыпылықтайды.

Артық жүктемеден қорғау (8.6, 10.6 сур. қараңыз)

Құрал қалыптан тыс жоғары токпен жұмыс істейтін жағдайда, мотордың артық жүктемеден қорғау жүйесі электр құралын автоматты түрде өшіреді. Бұл қорғаныс жүйесі іске қосылғанда, индикаторлар **11** 8.6, 10.6 суретте көрсетілгендей 3 секунд ішінде жыпылықтайды.

Батарея зарядының тым тез азаюынан қорғау

Батарея **13** зарядтың жылдам азаюынан қорғайтын қауіпсіздік жүйесімен қорғалған. Заряды толық аяқталған жағдайда электр құралы автоматты түрде өшіріледі. **Назар аударыңыз: қорғаныс жүйесі белсенді болғанда, электр құралын қоспаңыз, бұл батареяны 13 зақымдауы мүмкін.**

Батарея зарядталу күйінің индикаторлары (8.7, 10.7 сур. қараңыз)

Түймені **10** басқанда индикаторлар **11** батарея зарядының күйін **13** көрсетеді (8.7, 10.7 сур. қараңыз).

Тасымалдау белбеуі (4 сур. қараңыз)

Тасымалдауды жеңілдету үшін, сондай-ақ жұмыс кезінде үлкен қозғалғыштық үшін белдікті **18** қолданыңыз. **18** белдікті бекіткіштерге **1** бекітіңіз (4 сур. қараңыз). Қажет болса, белдіктің ұзындығын **18** электр құралын алып жүруге ыңғайлы етіп реттеңіз.

Бүріккіштің пішінін реттеу (12, 13 сур. қараңыз)

Бүріккіштің пішінін шашыратқыштың басын **32** бұрау арқылы реттеуге болады (12, 13 сур. қараңыз).

Қозғалтқыш құралды қолданубойынша ұсыныстар



Назар аударыңыз: бүрікуге арналған ерітінді судың консистенциясы болуы керек, тығыздық заттарды шашпаңыз, бұл электр құралын зақымдауы мүмкін.

- Шашыратуға арналған ерітіндіні дайындаңыз және резервуарды **8** толтырыңыз.
- Қысық түтіктің **24** ұзындығын реттеңіз.
- Электр құралын қосып, шашыратуды бастаңыз. Қажет болса, шашыратқыштың пішінін реттеңіз.
- Егер жұмыс кезінде ерітінді біркелкі шашырамаса, резервуардағы **8** сұйықтықтың мөлшерін тексеріңіз. Қажет болса, оны қосыңыз. Сондай-ақ, саптаманың саңылауы **32** немесе бүріккіш атоматордың басындағы **33** саңылаулар бітеліп қалуы мүмкін, қажет болған жағдайда оларды төменде сипатталғандай тазалаңыз.
- Жұмысты аяқтағаннан кейін электр құралын өшіріп, шашыратқыштың жоғарғы

бөлігін 2 ажыратыңыз. Қалған ерітіндіні резервуардан 8 төгіп тастаңыз, қақпақты 6, резервуар 8, шланг 16, шашыратқыш атомизаторды 17 төменде сипатталғандай мұқият шайыңыз.

Қозғалтқыш құралды жөндеу / алдын алу шаралары

Электр құралында жұмыстарды орындаудан бұрын, батареяны 13 алып тастаңыз.

Батареяны күту туралы нұсқаулық

- Батарея 13 толығымен таусылмай тұрып уақтылы зарядтаңыз. Қуат төмен болса пайдалануды тоқтатыңыз және дереу зарядтаңыз.
- Батарея 13 толы кезде артық зарядтамаңыз, әйтпесе бұл қызмет көрсету уақытын қысқартады.
- Батареяны 13 10°C - 40°C (50°F - 104°F) бөлме температурасында зарядтаңыз.
- Ұзақ уақыт бойы жұмыс істемесе, батареяны 13 алты ай сайын зарядтаңыз.
- Тозған батареяларды уақтылы ауыстырыңыз. Зарядтаудан кейін электр құралдың өнімділігінің төмендеуі немесе айтарлықтай қысқарақ жұмыс уақыты батарея 13 ескіргенін және ауыстыру қажеттілігін көрсетеді. Жұмыстар 0°C-тан төмен температурада орын алса, батарея 13 тезірек зарядсыздалуы мүмкін екенін ескеру керек.
- Пайдаланбастан ұзақ уақыт бойы сақтаған жағдайда батареяны 13 бөлме температурасында сақтау ұсынылады, оны 50%-ға дейін зарядтау керек.

Қозғалтқыш құралды тазалау (5-6, 14 сур. қараңыз)



Абайлаңыз: бүріккішке арналған ерітіндіні резервуарға қалдыруға және сақтауға, сондай-ақ электр құралының бөлшектерін әр қолданғаннан кейін шайып тұрмауға қатаң тыйым салынады, бұл электр құралының бұзылуына әкелуі мүмкін, бұл жағдайда кепілдік бойынша жөндеу құқығыңызды жоғалтасыз.

- Жұмысты аяқтағаннан кейін электр құралын өшіріңіз.
- Бүріккіштің жоғарғы бөлігін 2 ажыратыңыз (5 сур. қараңыз).
- Қақпағын бұрап 6 алыңыз (6 сур. қараңыз) және оны және резервуардағы 8 ағын сумен жақсылап шайыңыз.
- Резервуарға 8 су құйыңыз (шамамен 2 литр), қақпақты 6 жауып, шашыратқыштың жоғарғы бөлігін 2 орнатаыңыз және электр құралының қосыңыз.
- Электр құралының сорғысын, шлангіні 16 және шашыратқыш 17 шашыратқышты шаю үшін таза су шайыңыз, есіңізде болсын, бүрікілген суда сіз бұрын шашыратқан химиялық зат бар, сақтық шараларын қолданыңыз.
- Қажет болса, сіз саптаманы 32 бұрап, ондағы саңылауды, сондай-ақ шашыратқыштың басы 33 саңылауларын сәйкес диаметрі бар сыммен тазалай

аласыз (14 сур. қараңыз). **Абайлаңыз: бұл процедура үшін болат сым, ине, бұрғылау т.с.с. қолданбаңыз - сіз саптаманы 32 немесе бүріккіш атомизатордың басын 33 зақымдай аласыз.**

- Барлық пайдаланылған керек-жарақтарды ағын сумен шайыңыз - ерітінді араластыруға арналған ыдыстар, құйғыш 27 және т.б.
- Құрылғыны ұзақ уақыт қолданудың маңызды талабы - оны таза ұстау. Құрылғыны әрдайым сығылған ауамен ауа алмасатын тесіктерінен үрлеп тазартып тұрыңыз 3.

Сатудан кейінгі қызмет және өтінім бойынша қызмет

Біздің сатудан кейінгі қызмет өнімге техникалық қызмет көрсетуге және оны жөндеуге, сонымен бірге, қосалқы бөлшектерге қатысты сұрақтарыңызға жауап береді. Сондай-ақ, сервистік орталықтар туралы ақпаратты, бөліктердің диаграммаларын және қосалқы бөлшектер туралы ақпаратты мына бетте табуға болады: www.crown-tools.com.

Электр құралдарын тасымалдау

- Тасымалдау кезінде қаптамаға ешбір механикалық әсерді тигізуге болмайды.
- Жүкті түсіргенде / жүктегенде қысып орау қағидатымен жұмыс істейтін ешбір технология түрін пайдалануға рұқсат етілмеген.

Li-ion батареялары

Қамтылған Li-ion батареяларына қауіпті тауарлар заңнамасының талаптары қолданылады. Пайдаланушы қосымша талаптарсыз батареяларды жолда тасымалдай алады.

Үшінші тараптар тасымалдап жатқанда (мыс.: ауамен тасымалдау немесе экспедиторлық агенттігі) қаптамаға және жапсырмаларға қатысты арнайы талаптарды сақтау керек. Жөнелтіліп жатқан затты дайындау үшін қауіпті материал туралы маманнан кеңес алу қажет.

Батареяларды тек корпусы зақымдалмаған кезде жіберіңіз. Ашық түйіспелердің лентасын немесе маскасын алыңыз және батареяны қаптамада жылжыту мүмкін болмайтынды ораңыз. Сондай-ақ, егжей-тегжейлірек болуы мүмкін ұлттық ережелерді сақтаңыз.

Қоршаған ортаны сақтау



Шикізатты қоқыс ретінде пайдаға асырудың орнына қайта қолдануға жіберіңіз.

Электр құралы, жарақаттар және бума қоршаған ортаға зиянсыз қайда қолдануға жіберілуі керек.

Пластикалық компоненттер сыныпталған қайта қолдану үшін белгіленген.

Бұл нұсқаулар қайта қолданылатын хлорин қосылмаған қағазда басып шығарылған.

Өндіруші өзгерістер енгізуі мүмкін.

Қазақ тілі

- حَضَر المحلول المراد رشه وأملأ به الخزان 8.
- عدّل طول الأنبوب المنحني 24.
- وشغل الأداة الكهربائية وأبدأ الرش. وعدّل نمط الرذاذ إذا لزم الأمر.
- إذا لاحظت أن الأداة ترش المحلول بشكل غير متساو أثناء العمل، فتحقّق من مقدار المحلول الموجود في الخزان 8، وأضف إليه المزيد حسب الحاجة. ومن المحتمل أيضاً أن تكون فتحة الفوهة 32 أو فتحات رأس مرذاذ الرش 33 مسدودة، فعليك تنظيفها على النحو الموضح أدناه إذا لزم الأمر.
- بعد الانتهاء من العمل، قم بإيقاف تشغيل الأداة الكهربائية وافصل رأس الرشاش 2. أفرغ المحلول المتبقي من الخزان 8، واشطف الغطاء 6 والخزان 8 والخرطوم 16 ومرذاذ الرش 17 جيّداً على النحو المبين أدناه.

يحتوي على المادة الكيميائية التي سبق رشها، فاتخذ الاحتياطات اللازمة.

- إذا لزم الأمر، يمكنك فك الفوهة 32 وتنظيف فتحتها، وكذلك فتحات رأس مرذاذ الرش 33 باستخدام عود ذي قطر مناسب (انظر الشكل 14). تنبيه: لا تستخدم الأسلاك فولاذية أو الإبر أو المثاقب أو ما إلى ذلك لإجراء هذه الخطوة؛ فهذا يمكن أن يؤدي إلى تلف الفوهة 32 أو رأس مرذاذ الرش 33.
- اشطف جميع الملحقات بالماء الجاري، بما في ذلك أوعية خلط المحاليل والقمع 27 وغيرهما.
- لا بد من المحافظة على نظافة الأداة الكهربائية للحصول على استخدام آمن على المدى الطويل. قم بتنظيف الأداة الكهربائية بانتظام باستخدام الهواء المضغوط من خلال فتحات التهوية رقم 3.

خدمة ما بعد البيع وخدمة التطبيق

تجيب خدمة ما بعد البيع لدينا على جميع تساؤلاتكم المتعلقة بصيانة المنتج الخاص بكم وإصلاحه، بالإضافة إلى قطع الغيار. كما يمكنك أيضاً العثور على معلومات حول مراكز الخدمة وقطع الرسوم البيانية وقطع الغيار على: www.crown-tools.com

صيانة الأداة الكهربائية التدابير الوقائية

قبل القيام بأي أعمال على الأداة الكهربائية، قم بإزالة البطارية 13.

تعليمات صيانة البطارية

- اشحن البطارية رقم 13 في الوقت المناسب قبل أن تفرغ تماماً. قم بإيقاف التشغيل على الفور عندما يكون التيار الكهربائي منخفضاً.
- لا تشحن البطارية رقم 13 عندما تكون مشحونة تماماً، وإلا سيؤدي ذلك إلى قصر عمر البطارية.
- اشحن البطارية رقم 13 في درجة حرارة غرفة من 10 درجات مئوية إلى 40 درجة مئوية (50 درجة فهرنهايت إلى 104 درجات فهرنهايت).
- اشحن البطارية رقم 13 كل ستة أشهر لمدة طويلة بدون تشغيل.
- استبدل البطاريات التالفة في الوقت المناسب. يشير تراجع الإنتاج أو فترة التشغيل القصيرة بشكل كبير للأداة الكهربائية بعد الشحن إلى تأثر البطارية رقم 13 بعامل الزمن والحاجة إلى استبدالها. ينبغي أن يؤخذ بعين الاعتبار أنه قد يتم تفريغ البطارية رقم 13 بسرعة أكبر إذا أُجريت الأعمال في درجة حرارة أقل من 0 درجة مئوية.
- في حالة التخزين لفترة طويلة دون استخدام، من المستحسن تخزين البطارية رقم 13 في درجة حرارة الغرفة، وينبغي شحنها إلى 50%.

نقل الأدوات الكهربائية

- يجب ألا يسقط أي شيء ميكانيكي على العبوة أثناء النقل مطلقاً.
- لا يجوز استخدام أي نوع من أنواع التقييدات التي تعمل وفق مبدأ تثبيت العبوة عند التفريغ / التحميل.

بطاريات الليثيوم-أيون

تخضع بطاريات الليثيوم-أيون المتضمنة لمتطلبات سن القوانين الخاصة بالضائع الخطرة. يمكن للمستخدم نقل البطاريات عن طريق البر دون المزيد من المتطلبات. وينبغي مراعاة المتطلبات الخاصة بالتغليف والتوسيم عند نقلها من قبل أطراف ثالثة (على سبيل المثال النقل الجوي أو وكالة الشحن). لتحضير العنصر المراد شحنه، يلزم استشارة خبير متخصص في المواد الخطرة. لا يتم التخلص من البطاريات إلا عند تلف المبييت. يُرجى تغطية أسطح التلامس المفتوحة أو لفها بشريط ووضع البطارية داخل حزمة بطريفة تجعل من الصعب أن تتحرك داخل العبوة. يُرجى أيضاً مراعاة اللوائح المحلية الأكثر تفصيلاً.

حماية البيئة

احرص على إعادة تدوير المواد الخام بدلاً من التخلص منها كنفائات.



ينبغي فرز الأدوات الكهربائية والملحقات والعبوات لإعادة تدويرها بحيث تكون صديقة للبيئة.

تم تصنيف مكونات البلاستيك كغفنة من فئات إعادة التدوير. طبعت هذه التعليمات على ورق مُعاد تدويره ومُصنّع بدون كلور.



تنبيه: يُحظر تماماً ترك المحلول المراد رشه وتخزينه في الخزان، وكذلك عدم شطف أجزاء الأداة الكهربائية بعد كل استخدام؛ فقد يؤدي هذا إلى تلف الأداة الكهربائية، وفي هذه الحالة ستفقد حَقك في إصلاحها بموجب الضمان.

- بعد الانتهاء من العمل، قم بإيقاف تشغيل الأداة الكهربائية.
- افصل رأس الرشاش 2 (انظر الشكل 5).
- قم بغطاء الغطاء 6 (انظر الشكل 6) واشطفه هو والخزان 8 جيّداً بالماء الجاري.
- أملأ الخزان 8 بالماء (لتر 2 تقريباً)، ثم أغلق الغطاء 6 ورُكّب رأس الرشاش 2 وشغل الأداة الكهربائية.
- قم بفرش الماء التنظيف لشطف مضخة الأداة الكهربائية والخرطوم 16 ومرذاذ الرش 17. ولا تنس أن الماء الذي يتم رشه للشطف

تحتفظ الشركة المصنعة بحقوقها في إمكانية إجراء تغييرات.

إيقاف التشغيل:

- لضغط على قفلي البطارية رقم 12 وقم بإزالة البطارية رقم 13 (انظر الشكل رقم 7-2، 7-3، 9-2).
- صل الشاحن 19 بمزود الطاقة.
- قم بتوصيل البطارية رقم 13 بالشاحن رقم 19 (انظر الشكل 7، 4، 9.4).
- افصل الشاحن 19 من مزود الطاقة بعد الشحن.
- قم بإزالة البطارية 13 من الشاحن 19. أدخل البطارية 13 في الأداة الكهربائية، ثم أغلق الغطاء 9.

مميزات تصميم الأداة الكهربائية

حماية درجة الحرارة (انظر الشكل 8.6، 10.6)

يتيح نظام الحماية من درجة الحرارة التعطيل تلقائيًا للأداة الكهربائية في حالة الحمل المفرطة أو عندما تتعدى البطارية رقم 13 درجة حرارة 80 درجة مئوية. يضمن النظام حماية الأداة الكهربائية من التلف في حالة عدم الاتساق مع ظروف التشغيل.

عند تفعيل نظام الحماية هذا، ستومض المؤشرات 11 كما هو موضح في الشكل 8.6، 10.6 خلال 3 ثوانٍ.

حماية من السخونة المفرطة (انظر الشكل 8.6، 10.6)

يقوم نظام حماية الموتور من السخونة المفرطة تلقائيًا بإيقاف الأداة الكهربائية في حالة السخونة المفرطة. وفي هذه الحالة، أترك الأداة الكهربائية حتى تبرد قبل إعادة تشغيل الأداة الكهربائية.

عند تفعيل نظام الحماية هذا، ستومض المؤشرات 11 كما هو موضح في الشكل 8.6، 10.6 خلال 3 ثوانٍ.

حماية من الحمل الزائد (انظر الشكل 8.6، 10.6)

يقوم نظام حماية الموتور من الحمل الزائد تلقائيًا بإيقاف الأداة الكهربائية عندما يتم تشغيلها بطريقة تؤدي إلى سحب تيار عالٍ بشكلٍ غير طبيعي، وفي عند تفعيل نظام الحماية هذا، ستومض المؤشرات 11 كما هو موضح في الشكل 8.6، 10.6 خلال 3 ثوانٍ.

حماية من تفريغ الشحنة المفرط

البطارية 13 محمية بنظام أمان من التفريغ العميق. في حالة التفريغ الكامل، يتم إيقاف الأداة الكهربائية تلقائيًا. انتباه: لا تحاول تشغيل الأداة الكهربائية عند تنشيط نظام الحماية؛ فقد يؤدي ذلك إلى تلف البطارية 13.

مؤشرات حالة شحن البطارية (انظر الشكل 8.7، 10.7)

مع الضغط على الزر رقم 10 توضح المؤشرات رقم 11 حالة شحن البطارية رقم 13 (انظر الشكل 8.7، 10.7).

حزام الحمل (انظر الشكل 4)

لسهولة نقل الأداة الكهربائية وكذلك لسهولة التنقل أثناء العمل، استخدم حزام الحمل 18. وصل الحزام 18 بالمشابك 1 (انظر الشكل 4). وإذا لزم الأمر، فعزل طول الحزام 18 حتى يصبح حمل الأداة الكهربائية مريحًا بالنسبة إليك.

لتغيير نمط الرذاذ (انظر الشكلين 12، 13)

يمكن تغيير نمط الرذاذ بإدارة رأس مرذاذ الرش 32 (انظر الشكلين 12، 13).

توصيات بشأن تشغيل الأداة الكهربائية

تنبيه: لا بد أن يكون لمحول الرش قوام كقوام الماء، ولا تستخدم الأداة الكهربائية لرش مواد أكثر كثافة حتى لا تتلفها.



- اضغط على قفلي البطارية رقم 12 وقم بإزالة البطارية رقم 13 (انظر الشكل رقم 7-2، 7-3، 9-2).
- صل الشاحن 19 بمزود الطاقة.
- قم بتوصيل البطارية رقم 13 بالشاحن رقم 19 (انظر الشكل 7، 4، 9.4).
- افصل الشاحن 19 من مزود الطاقة بعد الشحن.
- قم بإزالة البطارية 13 من الشاحن 19. أدخل البطارية 13 في الأداة الكهربائية، ثم أغلق الغطاء 9.
- مؤشرات الشحن (انظر الشكل رقم 8، 10)

تشير مؤشرات الشاحن رقم 30 ورقم 29 إلى عملية شحن البطارية رقم 13 تظهر إشارات المؤشرات رقم 30 ورقم 29 على المصق رقم 28 (انظر الشكل 10، 8).

- الشكل 8.1، 10.1 - (عندما يُضيء المؤشر 30 باللون الأخضر، فهذا يعني أن البطارية 13 غير مُركبة في الشاحن (19) - الشاحن 19 متصل بشبكة الكهرباء (جاهز للشحن).
- الشكل 8.2، 10.2 - (عندما يُضيء المؤشر 30 باللون الأخضر، فهذا يعني أن البطارية 13 مُركبة في الشاحن (19) - البطارية 13 وفيد الشحن.
- الشكل 8.3، 10.3 - (عندما يُضيء المؤشر 30 باللون الأحمر، فهذا يعني أن البطارية 13 مُركبة في الشاحن (19) - البطارية 13 مشحونة بالكامل.
- الشكل 8.4، 10.4 - (عندما يضيء المؤشر الأحمر 29، ويتم إدخال البطارية 13 في الشاحن (19) - يتم إنهاء عملية شحن البطارية 13 بسبب درجة الحرارة غير المناسبة. وعندما تكون ظروف درجة الحرارة طبيعية، ستستأنف عملية الشحن).
- الشكل 8.5، 10.5 - (عندما يُضيء المؤشر 29 باللون الأحمر، فهذا يعني أن البطارية 13 مُركبة في الشاحن (19) - يتم إنهاء عملية الشحن للبطارية 13 بسبب فشلها. استبدل البطارية المعطلة 13، ويحظر استخدامها مرة أخرى.

أثناء عملية الشحن، ترتفع درجة حرارة البطارية رقم 13 والشاحن رقم 19، وهي عملية طبيعية.



تشغيل / إيقاف تشغيل الأداة الكهربائية

التشغيل / إيقاف التشغيل على المدى القصير

التشغيل:

- لتشغيل الأداة الكهربائية، حرّك مفتاح التشغيل / إيقاف التشغيل 5 على وضع "ON" (انظر الشكل 11.1).
- لبدء الرش، اضغط مع الاستمرار على الزناد 31 في هذا الوضع (انظر الشكل 11.1).
- إيقاف التشغيل:
- لإيقاف الرش، حرّز الزناد 31 (انظر الشكل 11.2).
- لإيقاف تشغيل الأداة الكهربائية، حرّك مفتاح التشغيل / إيقاف التشغيل 5 على وضع "OFF" (انظر الشكل 11.1).

التشغيل / إيقاف التشغيل على المدى الطويل

التشغيل:

- لتشغيل الأداة الكهربائية، حرّك مفتاح التشغيل / إيقاف التشغيل 5 على وضع "ON" (انظر الشكل 11.1).
- لبدء الرش، اضغط مع الاستمرار على الزناد 31 في هذا الوضع (انظر الشكل 11.1). ثم حرّك الزناد 31 إلى الأمام لتثبيته في وضع الضغط (انظر الشكل 11.3).

• يمكنك تعديل طول مرذاذ الرش بدفع الأنبوب المنحني 24 إلى الداخل أو سحبه إلى الخارج. وللقيام بذلك، قم بكف الصامولة 23 وتحريك الأنبوب المنحني 24 ثم إحكام ربط الصامولة 23 (انظر الشكل 1.2).

توصيل الخرطوم (انظر الشكل 2)

• قم بتوصيل الخرطوم 16 بهيكل مرذاذ الرش 20 كما هو موضح في الشكل 2.1.
• قم بتوصيل الخرطوم 16 برأس الرشاش 2 بوصلة الإدخال 7 كما هو موضح في الشكل 2.2.

استخدام مرذاذ الرش (انظر الأشكال 3، 11-12)

• يبين الشكل 3 خيارات استخدام مرذاذ الرش 17:
• الشكلان 3.1 و 12 - مرذاذ الرش 17 موصول بإحدى اليدين والأداة الكهربائية محمولة باليد الأخرى ومعلقة بالحزام 18 على الكتف أو منتصبة على الأرض. وهذا الخيار مناسب لرش المساحات الكبيرة أو رش الأفرع المرتفعة أو العمل من التّرج أو ما إلى ذلك؛
• الشكلان 2.3 و 13 - مرذاذ الرش 17 مثبت في المقبض 4 والأداة الكهربائية محمولة بإحدى اليدين. وهذا الخيار مناسب للرش السريع للمساحات الكبيرة، حيث لا داعي لرفع مرذاذ الرش 17.

حزام الحمل (انظر الشكل 4)

يبين الشكل 4 كيفية تركيب حزام الحمل 18.

تعبئة الخزان (انظر الشكلين 5-6)

تنبيه: قم بإزالة رأس الرشاش 2 دائماً قبل تعبئة الخزان 8.



• افتح المزلاج 14 (انظر الشكل 5.1).
• قم بإزالة رأس الرشاش 2 (انظر الشكل 5.2).
• قم بكف الغطاء 6 (انظر الشكل 6.1).
• أدخل القمع 27 (غير متضمن في مجموعة التوصيل) في عنق الخزان 8. يوصى بتحضير المحلول المراد رشه في وعاء خاص ثم صبه في الخزان 8. وعندئذ، يمكن خلطه بشكل أفضل. ومع ذلك، يمكن أيضاً تحضير المحلول المراد رشه في الخزان 8 مباشرةً.
• املا الخزان 8 بالماء (يمكنك رؤية مستوى الماء على المقياس المدرج 15)؛ يحمل الغطاء 6 نقاط تدرج، ويمكن استخدامه باعتباره كوب قياس. صب المادة الكيميائية في الغطاء 6 وأضفها إلى الخزان 8 (انظر الشكل 6.2). تنبيه: التزم بالنسب الموصى بها عند تحضير المحاليل.
• قم بلف الغطاء 6 على عنق الخزان 8، ثم ركب رأس الرشاش 2 وأغلق المزلاج 14.
• حمل الأداة الكهربائية في وضع رأسي مع الإمساك بالمقبض 4 بإحدى يديك وبقاعدة الخزان 8 باليد الأخرى، ثم قم بهز الأداة الكهربائية عدة مرات حتى يختلط المحلول المراد رشه.

إجراء الشحن لبطارية الأداة الكهربائية

التشغيل الأولي للاداة الكهربائية

يتم تزويد الأداة الكهربائية بالبطارية رقم 13 المشحونة جزئياً. ينبغي شحن البطارية رقم 13 بالكامل قبل أول استخدام لها.

عملية الشحن (انظر الشكل رقم 7، 9)

• افتح غطاء البطارية 9 (انظر الشكلين 7.1، 9.1).

- 1 مشبك الحزام
- 2 رأس الرشاش (مركب)
- 3 فتحات تهوية
- 4 المقبض
- 5 مفتاح التشغيل / إيقاف التشغيل
- 6 غطاء الخزان وكوب القياس
- 7 وصلة الإدخال
- 8 الخزان
- 9 غطاء البطارية
- 10 زر التحكم في حالة شحن البطارية *
- 11 مؤشرات حالة شحن البطارية *
- 12 قفل البطارية *
- 13 البطارية *
- 14 المزلاج
- 15 مقياس مدرج
- 16 الخرطوم (مركب) *
- 17 مرذاذ الرش (مركب) *
- 18 حزام الحمل *
- 19 الشاحن *
- 20 هيكل مرذاذ الرش *
- 21 حلقة عازلة *
- 22 أنبوب مستقيم *
- 23 صامولة الأنبوب المنحني *
- 24 أنبوب منحني *
- 25 أداة تثبيت ملولية *
- 26 صامولة الخرطوم *
- 27 القمع *
- 28 الملمص *
- 29 مؤشر (أحمر) *
- 30 مؤشر (أخضر) *
- 31 رافعة الزناد *
- 32 الفوهة *
- 33 رأس مرذاذ الرش *

* أدوات إضافية اختيارية

ليست كل الملحقات التي تم توضيحها أو وصفها مُضمنة كعرض قياسي.

تركيب عناصر الأداة الكهربائية وتنظيمها

قبل القيام بأي أعمال على الأداة الكهربائية، قم بإزالة البطارية 13.

تجنب سحب عناصر التثبيت محكمة الربط لتجنب تلف السلك.



يُعد تركيب / فك / ضبط بعض العناصر متشابهاً في جميع موديلات الأداة الكهربائية، وفي هذه الحالة لا يُشار إلى موديلات محددة في الرسم التوضيحي.



تركيب / فك / تعديل طول مرذاذ الرش (انظر الشكل 1)

• يبين الشكل 1 طريقة تركيب وفك مرذاذ الرش 17. تنبيه: اتبع خطوات تركيب الأجزاء بالترتيب، وتأكد من انتظام شكل الحلقات العازلة عند التركيب.

- بعد شطف الخزان، يجب تصريف المياه إلى حيث لا توجد مسطحات مائية أو مياه جوفية.
- بعد الانتهاء من العمل، اغسل يديك جيدًا واغتمسل وغرغ الماء في حلقك.
- ويوصى أيضًا بتبديل الملابس.

الرموز المستخدمة في الدليل

تستخدم الرموز التالية في دليل التشغيل، يُرجى تذكر معانيها. سيتم التفسير الصحيح للرموز الاستخدام الصحيح والأمن للآداة الكهربائية.

المعنى	الرمز
عدم التخلص من البطارية في حاوية النفايات المنزلية.	
عدم إلقاء البطارية في النار.	
حماية البطارية من المطر.	
مدة شحن البطارية.	
اتجاه الحركة.	
اتجاه الدوران.	
مؤمن.	
غير مؤمن.	
فئة الحماية.	
انتبه. مهم.	
توجد علامة تثبت أن هذا المنتج يتوافق مع المتطلبات الأساسية لتوجيهات الاتحاد الأوروبي، ومتناسب مع معايير الاتحاد الأوروبي.	
معلومات مفيدة.	
عدم التخلص من الأداة الكهربائية في حاوية النفايات المنزلية.	

تعيين الأداة الكهربائية

الرشاش اللاسلكي مصمم لرش المواد السائلة، كالماء والمبيدات الحشرية والأسمدة السائلة وما إلى ذلك.

العربية

المعنى	الرمز
رشاش لاسلكي الأجزاء المميزة باللون الرمادي - مقيض لين (ذو سطح معزول)	
ملصق الرقم التسلسلي: CT ... - الطراز؛ XX - تاريخ التصنيع؛ XXXXXXX - الرقم التسلسلي.	
احرص على قراءة كافة قواعد السلامة والإرشادات.	
ارتد نظارات الحماية.	
ارتد كمامة.	
ارتد ملابس واقية.	
احرص على ارتداء قفازات واقية.	
لا تعمل تحت المطر.	
تجنب ارتفاع درجة حرارة البطارية لأكثر من 45 درجة مئوية. واحمها من التعرض لأشعة الشمس المباشرة لفترات طويلة.	

- في ظروف سوء الاستعمال، قد يتسرب السائل من البطارية؛ فتجنب اللمس. في حالة حدوث التلامس، قم بالштطف بالماء. في حالة ملامسة السائل للعين، اطلب المساعدة الطبية الإضافية. قد يتسبب السائل الذي يتسرب من البطارية في تهيجه أو حدوث حروق.
- تجنب التشغيل غير المتعمد. تأكد من أن مفتاح التشغيل / الإيقاف في وضع إيقاف التشغيل قبل إدخال مجموعة البطارية. حمل العدة الكهربائية مع وجود إصبعك على مفتاح التشغيل / الإيقاف أو تركيب مجموعة بطارية في العدة الكهربائية بينما هي في وضع التشغيل يؤدي إلى احتمال وقوع حوادث.
- لا تفتح البطارية. خطر على الدائرة.
- في حالة الضرر والاستخدام غير السليم للبطارية، قد تنبعث أبخرة. اعمل على توفير الهواء النقي وطلب المساعدة الطبية في حالة الشكاوى. يمكن للآبخرة أن تهيح الجهاز التنفسي.
- عندما تكون البطارية معيبة، يمكن أن يهرب السائل ويتلامس مع المكونات المجاورة. افحص أي أجزاء معيبة. نظف هذه الأجزاء أو استبدلها، عند الحاجة.
- احم البطارية ضد الحرارة، وأيضاً ضد التعرض المستمر لأشعة الشمس والنار. هناك خطر الانفجار.



تحذير قم بقراءة كافة تحذيرات السلامة وكافة التعليمات.

- يجب ألا يشغّل هذه الأداة الكهربائية إلا الأشخاص الذين تلقوا الإرشاد حول استخدامها بالشكل الصحيح أو الذين لديهم القدرة على استخدام الأداة بشكل صحيح.
- يُحظر تماماً استخدام الأدوات الكهربائية بواسطة الأطفال أو المراهقين.
- يجب أن يبعد مستخدم الأداة الكهربائية عن المارة أو الحيوانات مسافة لا تقل عن 10 أمتار. وفي حالة اقتراب المارة أو الحيوانات، لا بد أن تتوقف عن الرش.
- توجّه الحذر عند العمل في الصوبات الزراعية، وتأكد من وجود تهوية كافية.
- عند رش المواد الخطرة، تأكد من استخدام معدات الحماية الشخصية لمنع استنشاقها أو ملامستها (بوصى باستخدام معطف واقٍ بغطاء رأس، ونظارات واقية، وواقٍ وجه، وقفازات، وحذاء مغلق). وفي حالة ملامسة المواد الكيميائية لجلدك، اغسل فوراً بالماء الجاري والصابون. أما في حالة ملامسة المواد الكيميائية لعينيك، فاشطفهما فوراً بالماء الجاري الغزير. وإذا استمر التهيح، فتوجه لطب الرعاية الطبية على الفور.
- يُحظر تماماً تناول الطعام والمشروبات أو التدخين أثناء العمل؛ فقد يؤدي ذلك إلى استنشاق أو ابتلاع جزيئات المادة التي ترشها، وهو ما يمكن أن يؤدي بدوره إلى الإصابة بالحماسية أو التسمم أو ربما الوفاة.
- لا توجه الرش في اتجاهك، أو الآخرين، أو الحيوانات.
- تحقق من اتجاه الرياح عند العمل، واتخذ وضعية وقوف لا تسمح بتطاير المادة التي ترشها عليك بفعل الرياح. ولا تعمل أثناء وجود رياح قوية.
- يُحظر العمل تحت المطر أو ترك الأداة الكهربائية تحت المطر أو الثلج.
- يجب أن تضع في حسابك أن الهواء المحيط بك أثناء العمل يكون محملاً "بالرذاذ"، ويتكون هذا الرذاذ من قطرات دقيقة من المادة المرشوشة تهبط وتستقر على الأسطح المحيطة. فلا بد من تغطية الأسطح التي لا ترغب في ترسب "الرذاذ" عليها. وعند العمل في الهواء الطلق، يكون "الرذاذ" تحت تأثير الرياح. ويمكن أن يؤدي هذا إلى نتائج سلبية (مثل الإضرار بالصحة أو التلوث البيئي).
- لا تشغّل الأداة الكهربائية إذا كان الخزان خالياً من المواد؛ فهذا سيؤدي إلى سرعة بلى أجزاء الأداة الكهربائية.
- إذا كان من الضروري نقل الأداة الكهربائية وهي تعمل، فتأكد من إحكام غطاء الخزان وأبقِ الأداة الكهربائية في وضع رأسي حتى لا تتقلب.

- احم شاحن البطارية من المطر والرطوبة. دخول المياه إلى شاحن البطارية يؤدي إلى زيادة خطر حدوث الصدمة الكهربائية.
- لا تشحن بطاريات أخرى. شاحن البطارية مناسب فقط لشحن بطاريات الليثيوم أيون ضمن نطاق الجهد المذكور. وخلاف ذلك سيتعرض إلى خطر الحريق والانفجار.
- حافظ على شاحن البطارية نظيفاً. قد يسبب التلوث خطر حدوث صدمة كهربائية.
- تحقق من شاحن البطارية والكابل والمكونات في كل مرة قبل الاستخدام. لا تستخدم شاحن البطارية عندما يتم اكتشاف عيوب. لا تفتح شاحن البطارية بنفسك وأصلحه بواسطة موظفين مؤهلين فقط باستخدام قطع الغيار الأصلية. تؤدي أجهزة شحن البطاريات والكابلات والمقابس التالفة إلى زيادة خطر حدوث صدمة كهربائية.
- لا تشغّل شاحن البطارية على الأسطح القابلة للاشتعال بسهولة (مثل الورق والمنسوجات وغيرها) أو في البيئات القابلة للاحتراق. هناك خطر حدوث حريق بسبب سخونة شاحن البطارية أثناء الشحن.

الخدمة

- ينبغي صيانة عدتك الكهربائية بواسطة فني إصلاح مؤهل باستخدام قطع الغيار المتطابقة فقط. سيضمن هذا أن أمان العدة الكهربائية قد تم ضمانه.
- اتبع تعليمات التحذير وتعديل الملحقات.

إرشادات السلامة أثناء تشغيل العدة الكهربائية

قبل بدء العمل

- لا تقم برش مواد قد تتلف الأداة الكهربائية. وسيؤدي تلف الأداة الكهربائية نتيجة لذلك إلى إلغاء ضمانك.



بعد الانتهاء من العمل

- إذا شعرت بالصداع أو الدوخة أو ما إلى ذلك أثناء العمل بالأداة، فتوقف عن العمل فوراً واستشر الطبيب، وأخبره أيضاً باسم المادة الكيميائية المستخدمة وظروف العمل.



- يرجى قراءة تعليمات الشركة المصنعة الخاصة بالمواد التي ترغب في رشها بعناية حتى تتعرف جيداً على مدى سميئتها وإجراءات التعامل معها.
- اتبع توصيات تخفيف مواد الرش وتخزينها والتخلص منها بعناية؛ فقد يؤدي الاختيار الخاطيء للمواد الكيميائية أو تحضير المحاليل بنسب خاطئة إلى إتلاف المحاصيل وترك آثار خطيرة على الصحة.

- لا تشغل هذه العدد الكهربائية في الأماكن القابلة للانفجار، مثل عند وجود مواد سريعة الاشتعال أو غازات أو غبار. تصنع العدد الكهربائية هذه شرارات قد تؤدي إلى إشعال الغبار أو الأبخرة.
- احرص على بقاء الأطفال أو المتفرجين بعيداً أثناء تشغيل العدة الكهربائية. قد تسبب الملهيات في فقدان التركيز.

السلامة الكهربائية

- يجب أن تطابق قوايس العدة الكهربائية مع مأخذ التيار. لا تمم بتعديل القابس بأي شكل. لا تستخدم مهايئ قوايس مع العدد الكهربائية المورضة (الموصولة بالأرض). تنقل القوايس غير المعدلة ومأخذ التيار المطابقة من خطر حدوث صدمة كهربائية.

استخدام العدة الكهربائية والعناية بها

- تحذير! يمكن أن تنتج العدد الكهربائية حقلاً كهرومغناطيسياً أثناء التشغيل. قد يتداخل هذا الحقل في بعض الظروف مع الغرسات الطبية النشطة أو السلبية. للحد من خطر الإصابة الخطيرة أو القاتلة، نوصي الأشخاص الذين لديهم غرسات طبية باستشارة الطبيب ومصنع الغرسة الطبية قبل تشغيل العدة الكهربائية هذه.

- تجنب ملامسة الجسد للأسطح المورضة أو الموصولة بالأرض (مثل الأتاييب والشعاع والنطاقات والثلاجات). هناك خطر مترابيد من التعرض للصدمة الكهربائية إذا كان جسمك موزناً أو موصولاً بالأرض.
- لا تعرض العدد الكهربائية لظروف الأمطار أو البهل. دخول المياه إلى العدة الكهربائية يزيد من خطر حدوث صدمة كهربائية.
- لا تسمى استخدام السلك. لا تستخدم السلك أبداً لحمل أو سحب أو فصل العدة الكهربائية. حافظ على السلك بعيداً عن الحرارة والزيت والحواف الحادة والأجزاء المتحركة. استخدم أسلاك تالفة أو متشابكة يزيد من مخاطر الإصابة بالصدمة الكهربائية.
- عند استخدام العدة الكهربائية في الأماكن المفتوحة، استخدم أسلاك التمديد المخصصة للاستخدام الخارجي فقط. استخدم سلكاً يناسب الاستخدام في المناطق المفتوحة ويقال من خطر التعرض للصدمة كهربائية.
- عندما يكون تشغيل العدة الكهربائية في مكان رطب أمراً لا مفر منه، فاستخدم أداة تعمل بالتيار المتبقي (RCD) كمزود محمي. يعمل استخدام RCD على تقليل مخاطر الإصابة بصدمة كهربائية. ملحوظة مصطلح "أداة تعمل بالتيار المتبقي (RCD)" يمكن استبداله بالمصطلح "مترجم دائرة خطأ التأسيس (GFCI)" أو "قاطع دائرة التسريب الأرضي (ELCB)".
- تحذير! لا تلمس أبداً الأسطح المعدنية المكشوفة في علبة التروس، والدرع، وما إلى ذلك لأن لمس الأسطح المعدنية سوف يحدث تداخلاً مع الموجة الكهرومغناطيسية، مما يسبب إصابات أو حوادث محتملة.

السلامة الشخصية

- كن يقظاً، وراقب ما تفعله واستخدم الحس السليم عند تشغيل العدة الكهربائية. لا تستخدم العدة الكهربائية عندما تكون متعباً أو تحت تأثير المخدرات أو الكحوليات أو الأدوية. إن أي لحظة من عدم الانتباه أثناء تشغيل العدة الكهربائية قد ينتج عنها جروح شخصية خطيرة.
- استخدم معدات الوقاية الشخصية. ارتد دائماً القناع الواقي للعين. تعمل أدوات الحماية مثل القناع الواقي من الغبار أو أذنية الأمان المضادة للانزلاق أو قبة صلبة أو أجهزة حماية السمع والتي يتم استخدامها في ظروف معينة على تقليل احتمالات التعرض لإصابات شخصية.
- تجنب التشغيل غير المقصود. تأكد من أن المفاتيح على وضع إيقاف التشغيل قبل التوصيل بمصدر الطاقة و/أو حزمة البطارية، والانتقاط أو حمل العدة. حمل العدد الكهربائية مع وجود إصبعك في المفتاح أو تشغيل العدد الكهربائية التي يكون فيها المفتاح في وضع التشغيل يؤدي إلى احتمال وقوع حوادث.
- أزل أي مفاتيح ضبط أو مفاتيح ربط قبل تشغيل العدة الكهربائية. قد يؤدي وجود مفتاح ربط أو مفتاح متصل بالجزء الدوار للعدة الكهربائية إلى حدوث إصابة شخصية.
- لا تتعد الأرتفاع. أبق قدميك دوماً في وضع مناسب واحتفظ بتوازنك في جميع الأوقات. يمكن هذا من السيطرة بشكل أفضل على العدة الكهربائية في المواقف غير المتوقعة.
- ارتد ملابس ملائمة. لا ترتد ملابس فضفاضة أو مجوهرات. حافظ على شعرك وملابسك وقفاتك بعيداً عن الأجزاء المتحركة. قد تعلق الملابس الفضفاضة أو المجوهرات في الأجزاء المتحركة.

استخدام بطارية العدة والعناية بها

- إعادة الشحن تكون فقط بواسطة الشاحن المحدد من قبل الشركة المصنعة. الشاحن الذي يناسب نوعاً معيناً من مجموعات البطاريات قد يتسبب في خطر نشوب حريق عند استخدامه مع مجموعة بطارية أخرى.
- استخدم العدد الكهربائية مع مجموعات البطاريات المصممة خصيصاً لها فقط. استخدام أي مجموعة بطاريات أخرى قد ينشأ عنه إصابة أو حريق.
- عندما تكون مجموعة البطاريات غير مستخدمة، احفظها بعيداً عن الأشياء المعدنية الأخرى مثل مشابك الخرق والمفاتيح والمسامير والبراغي أو الأشياء المعدنية الأخرى والتي يمكن أن توصل طرفاً بطرف آخر. تقصير أطراف البطارية معاً قد يتسبب في حروق أو حوادث حريق.

مواصفات الأداة الكهربائية

CT29003HX-4	CT29003HX-2	رشاش لاسلكي
انظر صفحة 12		كود الأداة الكهربائية
20 *	20 *	[فولط]
Li-Ion	Li-Ion	نوع البطارية
60	60	[دقيقة]
4	2	[أمبير ساعة]
500	500	[مل/دقيقة]
2	2	[بار]
1,7 1/16"	1,7 1/16"	[مم] [بوصة]
7,5	7,5	[لتر]
2,83 6.24	2,52 5.56	[كجم] [رطل]
III	III	فئة الأمان
—	—	[ديسيبل]
—	—	[ديسيبل]
—	—	[م/م ²]

* الحد الأقصى للجهد الأولي للبطارية (الذي يقيس دون النظر إلى حجم العمل) هو 20 فولت. الجهد الاسمي هو 18 فولت.

تحذير - لتقليل خطر الإصابة، ينبغي أن يقرأ المستخدم دليل التعليمات!



قواعد السلامة العامة

تحذير اقرأ جميع تحذيرات السلامة والتعليمات والرسوم التوضيحية والمواصفات المقدمة مع الأداة الكهربائية هذه. قد يتسبب الفشل في اتباع التحذيرات والتعليمات المسروقة أدناه في صدمة كهربائية أو حريق، و/أو إصابة خطيرة.



احفظ كافة التحذيرات والتعليمات للرجوع إليها مستقبلاً.

يشير مصطلح "العدة الكهربائية" في التحذيرات إلى العدة الكهربائية (السلكية) التي تعمل عبر موصلات الكهرباء الرئيسية الخاصة بك أو العدة الكهربائية (اللاسلكية) التي تعمل بالبطارية.

سلامة منطقة العمل

• حافظ على منطقة العمل نظيفة ومضاءة جيداً. المناطق غير المنظمة أو المظلمة قد تتسبب في إصابات.

معلومات الضجيج

احرص دائماً على ارتداء أداة حماية الأذن إذا كان الضغط الصوتي يتجاوز 85 ديسيبل.



إعلان المطابقة CE

نعلن تحت مسؤوليتنا وحدنا أن المنتج الموصوف ضمن "مواصفات الأداة الكهربائية" يتوافق مع كل الأحكام ذات الصلة بتوجيهات 2006/42/EC و 2014/30/EU بما في ذلك التعديلات ويتوافق مع المعايير التالية:
EN 60745-1:2009/A11:2010
EN 50580:2012/A11:2013
EN 55014-1:2017
EN 55014-2:2015

Wu Cunzhen

Wu Cunzhen

المدير العام

Merit Link International AG
Stabio, Switzerland, 28.07.2021

کاربر می تواند بدون در نظر گرفتن شرایط دیگری، باتری ها را در جاده حمل کند.

هنگام حمل توسط اشخاص ثالث (مثلاً حمل و نقل هوایی یا آژانس های ارسال کالا)، شرایط لازم ویژه ای درباره بسته بندی و برچسب گذاری باید رعایت شود. هنگام آماده سازی اقلام موردنظر جهت ارسال، مشورت با کارشناس برای مواد خطرناک الزامی است.

تنها در صورتی که محفظه باتری سالم است آن را ارسال کنید. سطوح باز باتری را بیوشانید و باتری را به گونه بسته بندی کنید که امکان حرکت در بسته بندی برای آن وجود نداشته باشد. لطفاً همچنین در صورت به دیگر قوانین کشورتان در این خصوص توجه کنید.

محافظت از محیط زیست

به جای اینکه مواد خام را مثل زباله دور بیندازید، آن ها را بازیافت کنید.



ابزار شارژی، لوازم جانبی و بسته بندی را باید برای بازیافت به روش زیست محیطی طبقه بندی کرد.

اجزای پلاستیکی برای بازیافت طبقه بندی شده برچسب گذاری می شوند. این دستورالعمل ها روی کاغذ بازیافت شده تولید شده بدون کلر چاپ می شوند.

محافظة در برابر اضافه بار (به شکل 8.6، 10.6 مراجعه کنید)

- وقتی باتری 13 پر است بیش از حد آن را شارژ نکنید یا این کار از عمر باتری کاسته می شود.
- باتری 13 را در دمای اتاق 10 تا 40 درجه سانتی گراد (50 تا 104 درجه فارنهایت) شارژ کنید.
- باتری 13 را هر 6 پس یک دوره طولانی عدم فعالیت دستگاه شارژ کنید.
- باتری های کهنه را به موقع تعویض کنید. کاهش تولید یا زمان کارکرد کوتاهتر ابزار شارژی پس از شارژ کردن نشان دهنده کهنه شدن باتری 13 است و باید باتری را تعویض کنید. این نکته را در نظر بگیرید که در صورت استفاده از ابزار در محیطی با دمای کمتر از 0 سانتی گراد، ممکن است شارژ باتری 13 سریع تر تخلیه شود.
- در صورتی که قرار است به مدت طولانی از دستگاه استفاده نکنید، توصیه می شود باتری 13 را در دمای اتاق نگه دارید، باتری باید تا 50 درصد شارژ شده باشد.

تمیز کردن ابزار شارژی (تصویر 5-6، 14 را ببینید)

احتیاط: ترک و ننگ داشتن محلول در مخزن برای اسپری اکیداً ممنوع است، همچنین قطعات ابزار برقی را پس از هر بار استفاده بشوید، این کار می تواند به ابزار برقی صدمه بزند که در اینصورت حق تعمیرات با ضمانت لغو خواهد شد.



- پس از اتمام کار، ابزار برقی را خاموش کنید.
- سر اسپری 2 را قطع کنید (تصویر 5 را ببینید).
- درپوش 6 را بپچانید تا شل شود (تصویر 6 را ببینید) و درپوش و مخزن 8 را کاملاً با آب روان بشوید.
- مخزن 8 را با آب پر کنید (تقریباً 2 لیتر)، درپوش 6 را ببندید و سر اسپری 2 را نصب کنید، سپس ابزار برقی را روشن کنید.
- برای شستن پمپ ابزار برقی، شیلنگ 16 و اتمساز 17 آب تمیز اسپری کنید. به یاد داشته باشید آب اسپری شده محتوی مواد شیمیایی است که پیش از این اسپری کرده اید و احتیاط کنید.
- در صورت نیاز، می توانید نازل 32 را بپچانده و شل کنید و منفذ درون آن را و همچنین منفذهای سر اتمساز اسپری 33 را با سیمی با قطر مناسب تمیز کنید (تصویر 14 را ببینید). احتیاط: از سیم، سوزن، مته فولادی استفاده نکنید.
- با این کار ممکن است به نازل 32 و سر اتمساز اسپری 33 صدمه بزنید.
- همه قطعات جانی - ظرف های مخلوط کردن محلول، کیف 27 و غیره - استفاده شده را با آب روان بشوید.
- یکی از شرایط لازم برای استفاده ایمن و طولانی مدت از ابزار شارژی این است که آن را تمیز نگه دارید. مرتب با جریان هوای فشرده از طریق شیارهای تهویه 3، ابزار را تمیز کنید.

خدمات پس از فروش و خدمات کاربردی

خدمات پس از فروش ما پاسخگوی سوالات شما درباره نگهداری و تعمیر محصول شما و همچنین قسمت های یدکی آن است. اطلاعات مربوط به مراکز سرویس، نمودارهای قطعات و قطعات یدکی را می توانید در این سایت ببینید: www.crown-tools.com

حمل ابزارهای شارژی

- در طول حمل ابزار از وارد کردن هر گونه ضربه مکانیکی به بسته بندی مطلقاً بپرهیزید.
- هنگام قرار دادن دستگاه در بسته یا خارج کردن آن، استفاده از هیچ گونه فناوری ای که باعث دستکاری در بسته بندی شود، مجاز نیست.

باتری های لیتیم-یونی

باتری های لیتیم-یونی تحت شرایط قانون کالاهای خطرناک قرار می گیرند.

نشانگرهای وضعیت شارژ باتری (به شکل 8.7، 10.7 مراجعه کنید)

با فشار دادن دکمه 10 نشانگرها 11 وضعیت شارژ باتری 13 را نشان می دهند (شکل 8.7، 10.7 را ببینید).

تسمه حمل و نقل (تصویر 4 را ببینید)

برای حمل و نقل آسان و همچنین قابلیت حرکت حین کار، از تسمه حمل و نقل 18 استفاده کنید. تسمه 18 را به بست 1 متصل کنید (تصویر 4 را ببینید). در صورت لزوم، طول تسمه 18 را به گونه ای تنظیم کنید که حمل ابزار برقی برایتان آسان شود.

تنظیم شکل ردیف اسپری (تصویر 12، 13 را ببینید)

شکل ردیف اسپری با چرخاندن سر اتمساز اسپری 32 قابل تنظیم است (تصویر 12، 13 را ببینید).

توصیه هایی درباره عملکرد ابزار شارژی



احتیاط: غلظت محلول اسپری باید به اندازه آب باشد، مواد غلیظتر را اسپری نکنید، این کار به ابزار برقی صدمه می زند.

- محلول را برای اسپری کردن آماده و مخزن 8 را پر کنید.
- طول لوله منحنی 24 را تنظیم کنید.
- ابزار برقی را روشن و کار اسپری کردن را شروع کنید.
- اگر حین عملیات محلول به طور غیریکنواخت اسپری می شود، حجم مایع درون مخزن 8 را بررسی کنید. در صورت نیاز مایع را اضافه کنید. همچنین ممکن است که منفذ نازل 32 یا منفذ سر اتمساز اسپری 33 بسته شده اند، در صورت لزوم طبق توضیح زیر آن را تمیز کنید.
- پس از اتمام کار، ابزار برقی را خاموش کنید و سر اسپری 2 را قطع کنید. محلول باقیمانده را از مخزن 8 تخلیه کنید و درپوش 6، مخزن 8، شیلنگ 16، و اتمساز اسپری 17 را طبق توضیح زیر به طور کامل بشوید.

اقدامات پیشگیرانه / مراقبتی از ابزار شارژی

قبل از انجام هرکاری در ابزار برقی، باتری 13 را جدا کنید.

دستورالعمل حفظ و نگهداری باتری

- قبل از تمام شدن شارژ باتری 13، به موقع آن را شارژ کنید. وقتی شارژ کافی نیست فوراً ابزار را خاموش کنید و آن را شارژ کنید.

• ضامن‌ها 14 را باز کنید (تصویر 5.1 را ببینید).

• سر اسپری 2 را بردارید (تصویر 5.2 را ببینید).

• درپوش 6 را بپچانید تا شل شود (تصویر 6.1 را ببینید).

• کیف 27 (مجموعه تحویلی شامل این مورد نیست) را درون گردن مخزن 8 وارد کنید.

• توصیه می‌شود محلول را در محفظه‌ای ویژه تهیه کنید و سپس درون مخزن 8 بریزید. اینگونه امکان بهتر مخلوط کردن آن بیشتر است.

• مخزن 8 را با آب پر کنید (می‌توانید حجم آب پر شده در مخزن 15 را ببینید)؛

• درپوش 6 علامت‌گذاری شده و می‌توان به عنوان فنجان 8 انداز مگیری از آن استفاده کرد (تصویر 6.2 را ببینید). **احتیاط: نسبت‌های توصیه‌شده برای آماده‌سازی محلول را رعایت کنید.**

• درپوش 6 را درون گردنه مخزن 8 بپچانید، سر اسپری 2 را نصب کنید و ضامن‌ها 14 را ببندید.

• درحالی که ابزار برقی در موقعیت قائم از دستگیره 4 با یک دست نگه داشته‌اید، و در حالی که دست دیگر زیر مخزن 8 قرار دارد، چندین مرتبه ابزار برقی را برای مخلوط شدن محلول برای اسپری تکان دهید.

روشن / خاموش کردن ابزار شارژی

روشن / خاموش کردن کوتاه مدت

روشن کردن:

• برای روشن کردن ابزار برقی، کلید روشن / خاموش 5 را روی وضعیت "ON" قرار دهید (تصویر 11.1 را ببینید).

• برای شروع کار اسپری کردن، ماشه 31 را فشرده و در این وضعیت نگه دارید (تصویر 11.1 را ببینید).

خاموش کردن:

• برای توقف کار اسپری کردن، ماشه 31 را رها کنید (تصویر 11.2 را ببینید).

• برای خاموش کردن ابزار برقی، کلید روشن / خاموش 5 را در وضعیت "OFF" قرار دهید (تصویر 11.1 را ببینید).

روشن / خاموش کردن بلند مدت

روشن کردن:

• برای روشن کردن ابزار برقی، کلید روشن / خاموش 5 را روی وضعیت "ON" قرار دهید (تصویر 11.1 را ببینید).

• برای شروع کار اسپری کردن، ماشه 31 را فشرده و در این وضعیت نگه دارید (تصویر 11.1 را ببینید). ماشه 31 را به جلو حرکت دهید تا در وضعیت فشرده ثابت شود (تصویر 11.3 را ببینید).

خاموش کردن:

• برای توقف کار اسپری کردن، ماشه 31 را برگردانده و رها کنید (تصویر 11.3 را ببینید).

• برای خاموش کردن ابزار برقی، کلید روشن / خاموش 5 را در وضعیت "OFF" قرار دهید (تصویر 11.1 را ببینید).

روند شارژ باتری ابزار شارژی

راه اندازی اولیه ابزار شارژی

ابزار شارژی با یک باتری 13 با شارژ جزئی ارائه می‌شود. قبل از اولین استفاده، باتری 13 باید کاملاً شارژ شود.

روند شارژ کردن (به شکل 7، 9 مراجعه کنید)

• درپوش باتری 9 را باز کنید (تصویر 7.1، 9.1 را ببینید).

• دو قفل باتری 12 و را فشار دهید و باتری 13 را بیرون بیاورید. (به شکل 7.2-7.3، 9.2-9.3 مراجعه کنید).

• شارژر 9 را به منبع برق وصل کنید.

• باتری 13 را درون شارژر 19 قرار دهید (تصویر 7.4، 9.4 را ببینید).

• شارژر 19 را پس از شارژ شدن از منبع برق بکشید.

• باتری 13 را از شارژر 19 بردارید. باتری 13 را درون ابزار برقی قرار دهید و درپوش 9 را ببندید.

نشانه‌های شارژر (به شکل 8، 10 مراجعه کنید)

نشانه‌های شارژر 30 و 29 از فرایند شارژ باتری 13 خبر می‌دهند. سیگنال‌های نشانگرهای 30 و 29 روی برجسب 28 نشان داده شده اند (شکل 8، 10 را ببینید).

• شکل 8.1، 10.1 - (نشانگر سبز رنگ 30 روشن است، باتری 13 درون شارژر 19 جایگذاری نشده است) - شارژر 19 به شبکه برق متصل است (آماده شارژ کردن).

• شکل 8.2، 10.2 - (نشانگر سبز 30 چشمک می‌زند، باتری 13 درون شارژر 19 جایگذاری شده است) - باتری 13 در حال شارژ شدن است.

• شکل 8.3، 10.3 - (نشانگر سبز 30 روشن است، باتری 13 درون شارژر 19 جایگذاری شده است) - باتری 13 به صورت کامل شارژ شده است.

• شکل 8.4، 10.4 - (نشانگر قرمز 29 روشن است، باتری 13 درون شارژر 19 جایگذاری شده است) - فرایند شارژ باتری 13 به دلیل دمای نامناسب پایان یافته است. وقتی شرایط دما به وضعیت نرمال برگردد، فرایند شارژ از سر گرفته می‌شود.

• شکل 8.5، 10.5 - (نشانگر قرمز 29 چشمک می‌زند، باتری 13 درون شارژر 19 جایگذاری شده است) - فرایند شارژ باتری 13 به دلیل معیوب

بودن باتری، پایان یافته است. باتری 13 معیوب را تعویض کنید، استفاده از آن ممنوع است.



در طی فرایند شارژ باتری 13، شارژر 19 داغ می‌شود این یک پدیده طبیعی است.

ویژگی‌های طراحی ابزار شارژی

محافظت از دما (به شکل 8.6، 10.6 مراجعه کنید)

سیستم محافظت دما در صورت وجود بار بیش از حد یا زمانی که دمای باتری 13 به بیش از 80 درجه سانتی گراد می‌رسد، به طور خودکار ابزار شارژی را غیرفعال می‌کند. این سیستم محافظت، ابزار شارژی را در مقابل آسیب دیدن به دلیل عدم رعایت شرایط کارکرد ضمانت می‌کند.

هنگامی که این سیستم محافظتی فعال باشد، نشانگرها 11 به صورتی که در تصویر 8.6، 10.6 نشان داده شده، به مدت 3 ثانیه چشمک خواهند زد.

محافظت در برابر گرم‌شدن بیش‌ازحد (به شکل 8.6، 10.6 مراجعه کنید)

در صورت گرم‌شدن بیش‌ازحد دستگاه، سیستم محافظت از موتور در برابر گرم‌شدن بیش‌ازحد بصورت خودکار ابزار برقی را خاموش می‌کند. در این مواقع، قبل از روشن کردن مجدد ابزار برقی، صبر کنید ابزار خنک شود.

هنگامی که این سیستم محافظتی فعال باشد، نشانگرها 11 به صورتی که در تصویر 8.6، 10.6 نشان داده شده، به مدت 3 ثانیه چشمک خواهند زد.

* اضافی اختیاری

همه لوازم جانبی به تصویر کشیده شده و توضیح داده شده به عنوان تحویل کالای استاندارد در بسته محصول قرار دارند.

علامتی که تأیید می کند این محصول مطابق با شرایط اساسی دستورالعمل های اتحادیه اروپا و استانداردهای هماهنگ اتحادیه اروپا است.



نصب و تنظیم اجزای ابزار شارژی

اطلاعات مفید.



قبل از انجام هرکاری در ابزار برقی، باتری 13 را جدا کنید.

اجزای چفت و بست را خیلی محکم نکنید تا به شیارها آسیب نرسد.



نصب / پیاده سازی / تنظیم برخی از اجزا برای همه مدل های ابزار شارژی یکسان است، بنابراین مدل های خاص در اشکال نشان داده نشده اند.



ابزار شارژی را به همراه زباله های خانگی دور نیندازید.



کاربرد اختصاصی ابزار شارژی

اسپری بی سیم برای اسپری کردن مواد مایع - آب، آفتکش، کودهای مایع و غیره طراحی شده است.

اجزای ابزار شارژی

سوار کردن / پیاده کردن / تنظیم طول اسپری اتمساز (تصویر 1 را ببینید)

• تصویر 1 نحوه سوار کردن و پیاده کردن اسپری اتمساز 17 را نشان می دهد. احتیاط: توالی نصب قطعات را دنبال کنید و مطمئن شوید که اورینگها حین سوار کردن تغییر شکل ندهند.

• می توانید با هل دادن لوله منحنی 24 به داخل یا بیرون طول اسپری اتمساز را تنظیم کنید. به این منظور، مهره 23 را شل کنید و لوله منحنی 24 را حرکت دهید و مهره 23 را سفت کنید (تصویر 1.2 را ببینید).

اتصال شیلنگ (تصویر 2 را ببینید)

به صورتی که در تصویر 2.1 نشان داده شده، شیلنگ 16 را به بدنه اسپری اتمساز 20 متصل کنید.

به صورتی که در تصویر 2.2 نشان داده شده، شیلنگ 16 را به سر اسپری 2 و رابط ورودی 7 متصل کنید.

استفاده از اسپری اتمساز (تصویر 3، 11-12 را ببینید)

• تصویر 3 گزینه هایی برای استفاده از اسپری اتمساز 17 را نشان می دهد:

• تصویر 3.1 و 12 - اسپری اتمساز 17 با یک دست در حالی که ابزار برقی با دست دیگر نگه داشته می شود، و با تسمه 18 روی شانه آویزان می شود یا روی زمین می ایستد. این روش برای اسپری کردن فضاهای بزرگ، هنگام اسپری کردن شاخه های بلند و کار از روی پله ها و غیره مناسب است؛

• تصویر 3.2 و 13 - اسپری اتمساز 17 روی دستگیره 4 نصب است، ابزار برقی با یک دست نگه داشته می شود. در صورتی که بلند کردن اسپری اتمساز 17 ضروری نباشد، این روش برای پردازش سریع فضاهای وسیع مناسب است.

تسمه حمل و نقل (تصویر 4 را ببینید)

تصویر 4 نحوه نصب تسمه حمل و نقل 18 را نشان می دهد.

پر کردن مخزن (تصویر 5-6 را ببینید)

احتیاط: پیش از پر کردن مخزن 8، همیشه سر اسپری 2 را بردارید.



- 1 گیره تسمه
- 2 سر اسپری (سوار شده)
- 3 روزنه های تهویه
- 4 دستگیره
- 5 کلید روشن / خاموش
- 6 درپوش مخزن و ففجان انداز مگیری
- 7 اتصال ورودی
- 8 مخزن
- 9 روکش باتری
- 10 دکمه کنترل وضعیت شارژ باتری *
- 11 نشانگرهای وضعیت شارژ باتری *
- 12 قفل باتری *
- 13 باتری *
- 14 ضامن
- 15 مقیاس
- 16 شیلنگ (سوار شده) *
- 17 اسپری اتمساز (سوار شده) *
- 18 تسمه حمل و نقل *
- 19 شارژر *
- 20 بدنه اسپری اتمساز *
- 21 اورینگ *
- 22 لوله صاف *
- 23 مهره لوله منحنی *
- 24 لوله منحنی *
- 25 اتصالات شیاردار *
- 26 مهره شیلنگ *
- 27 قیف *
- 28 برجسب *
- 29 نشانگر (قرمز) *
- 30 نشانگر (سبز) *
- 31 اهرم ماشه *

اطراف می‌نشیند. سطوحی را که نمی‌خواهید روی آنها مه بنشیند، بپوشانید. هنگام کار در فضای باز، "مه" در معرض باد قرار می‌گیرد. این اتفاق سبب ایجاد پیمادهای منفی (مانند آسیب به سلامت و آلودگی زیست محیطی) می‌شود.

- اگر هیچ مایعی در مخزن نیست، از ابزار برقی استفاده نکنید. این کار سبب فرسودگی سریع قطعات ابزار برقی می‌شود.
- اگر هنگام کار لازم است که ابزار برقی جابجا شود، حتماً از سفت بودن درپوش مخزن مطمئن شوید و برای جلوگیری از واژگونی ابزار برقی آن را در وضعیت قائم قرار دهید.

اگر احساس سردرد، سرگیجه و غیره دارید، سریعاً کار را متوقف و با پزشک مشورت کنید. همچنین نام ماده شیمیایی مورد استفاده و شرایط کار را به پزشک اطلاع دهید.



پس از اتمام کار

- پس از هر بار استفاده، حتماً مخزن را بشویید و به صورتی که در ادامه توضیح داده شده اتمساز را بشویید. عدم شستن موجب صدمه به ابزار برقی و باطل شدن حق تعمیر با ضمانت می‌شود.
- باقیمانده‌های اسپری را کاملاً مطابق با توصیه‌های سازنده دفع کنید.
- پس از شستن مخزن، باید آب آن در جایی تخلیه شود که راهی به آب‌های زیرزمینی یا پهنه‌های آبی نداشته باشد.
- پس از اتمام کار، دستان خود را کاملاً بشویید، خودتان و گلوپتان را با آب بشویید. همچنین تعویض لباس‌ها توصیه می‌شود.

نمادهای مورد استفاده در این دفترچه راهنما

نمادهای زیر در این دفترچه راهنما استفاده شده است لطفاً معنای آن‌ها را به خاطر داشته باشید. تفسیر درست نمادها باعث استفاده صحیح و ایمن از ابزار شارژی می‌شود.

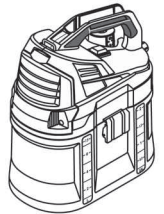
معنی	نماد
ماسک تنفسی بپوشید.	
لباس محافظ بپوشید.	
از عینک ایمنی استفاده کنید.	
زیر باران کار نکنید.	
از گرم کردن باتری بیش از 45 درجه سانتیگراد بپرهیزید. از ابزار در برابر قرار گرفتن طولانی مدت در نور مستقیم آفتاب محافظت کنید.	
باتری را در ظرف زباله خانگی دور نیندازید.	
باتری را به همراه زباله خانگی دور نیندازید.	
باتری را در مقابل باران قرار ندهید.	
زمان شارژ باتری.	
جهت حرکت.	
جهت چرخش.	
قفل.	
قفل باز.	
کلاس محافظت	
توجه مهم.	

معنی

نماد

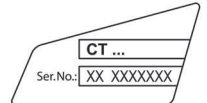
افشانه بی سیم

بخش‌های مشخص شده به رنگ خاکستری - دسته نرم (با سطح عایق)



برچسب شماره سریال:

CT ... - مدل؛
XX - تاریخ ساخت؛
XXXXXXX - شماره سریال.



همه قوانین و شرایط ایمنی را بخوانید.



از عینک ایمنی استفاده کنید.



که برای شارژر پک های دیگر مورد استفاده قرار گیرد، ممکن است باعث آتش سوزی شود.

دستورالعمل های ایمنی حین کار با ابزار برقی/شارژی

پیش از شروع کار



موادی را که ممکن است به ابزار برقی صدمه بزنند، اسپری نکنید. اگر ابزار برقی به این دلیل صدمه ببیند، ضمانتنامه شما باطل خواهد شد.

- لطفاً دستورالعمل‌های سازنده برای موادی را که قصد دارید اسپری کنید، به دقت مطالعه کنید تا درک صحیحی از سمی بودن آنها و روش برخورد با آنها داشته باشید.
- توصیه‌های مربوط به رقیق‌سازی، نگهداری و دفع پسماند اسپری را با دقت دنبال کنید. انتخاب نادرست مواد شیمیایی یا نسبت‌های نادرست در آمادسازی محلول می‌تواند به محصولات صدمه بزند و برای سلامت خطر ساز باشد.
- اگر قصد اسپری کردن مواد سمی را دارید، محلول را در فضای باز و دور از ساختمان‌های مسکونی، اصطبل حیوان، انبارهای غذا و علوفه حیوانات مخلوط نمایید.
- اسپری کردن مواد زیر اکیداً ممنوع است:
- مواد قابل اشتعال (بنزین، حلال‌ها و غیره) - این مواد سبب آتش‌سوزی یا انفجار می‌شوند؛
- مواد خورنده (اسیدها، قلیاها و غیره) - این مواد می‌تواند به قطعات ابزار برقی صدمه بزنند؛
- مواد پرچگال (رنگ‌ها، روغن‌ها و غیره)؛
- مواد غذایی.
- مایعاتی را که از دمای محیط داغ‌تر هستند، اسپری نکنید.
- هنگام پر کردن مخزن با آب، هرگز انتهای شیلنگ یا شیر آب را در مخزن غوطه‌ور نکنید.

هنگام انجام عملیات

- ابزار برقی باید تنها توسط افرادی که استفاده درست از آن را آموزش دیده‌اند یا افرادی که می‌توانند استفاده صحیح از دستگاه را نشان دهند به کار گرفته شود.
- استفاده از ابزار برقی توسط کودکان یا نوجوانان اکیداً ممنوع است.
- باید هیچ فرد ناظر یا حیوانی در فاصله 10 متری از کاربر ابزار برقی حضور نداشته باشد. هنگامی که حیوانات یا افراد ناظر نزدیک می‌شوند، باید کار اسپری کردن را متوقف کنید.
- هنگام کار در گلخانه‌ها دقت ویژه داشته باشید و از وجود تهویه کافی اطمینان حاصل کنید.
- اسپری کردن مواد خطرناک، برای جلوگیری از استنشاق یا تماس با آنها حتماً از تجهیزات محافظتی استفاده کنید (توصیه می‌شود که از لباس محافظتی یکسره با کلاه، عینک، محافظ صورت، دستکش و کفش‌های روبسته استفاده کنید). در صورت تماس مواد شیمیایی با پوستتان، سریعاً آن را با صابون و آب روان بشویید. در صورت تماس مواد شیمیایی با چشمانتان بلافاصله با آب روان آن را بشویید. اگر سوزش و آزرده‌گی آن ادامه داشت سریعاً به پزشک مراجعه کنید.
- خوردن، نوشیدن یا سیگار کشیدن هنگام کار اکیداً ممنوع است - ممکن است ذرات مواد اسپری‌شده را استنشاق کنید یا بلعید که سبب واکنش‌های آلرژیک، مسمومیت و یا حتی مرگ می‌شود.
- اسپری را به سمت خود، سایر افراد یا حیوانات نگیرید.
- هنگام کار جهت باد را در نظر داشته باشید و به صورتی بپایستید که باد مواد اسپری شده را به سمت شما حرکت ندهد. در باد شدید کار نکنید.
- کار در زیر باران یا ترک ابزار برقی در باران و برف ممنوع است.
- باید به یاد داشته باشید که هنگام کار هوای اطراف پر از "مه" می‌شود. این مه از ذرات ریز مواد اسپری‌شده تشکیل شده که بعداً روی سطوح

- فقط با باتری های طراحی شده مخصوص ابزارهای برقی/شارژی، از آن استفاده کنید. استفاده از هر نوع پک باتری دیگر ممکن است خطر آسیب یا آتش سوزی داشته باشد.
- وقتی از پک باتری استفاده نمی‌کنید، آن را از دیگر اشیاء فلزی مثل گیره کاغذ، سکه، کلید، میخ، پیچ یا دیگر اشیاء فلزی کوچک که می‌توانند باعث اتصال پک پایانه به پایانه دیگر شوند، دور نگه دارید. اتصالی پایانه های باتری ممکن است باعث سوختگی یا آتش سوزی شود.
- در صورت سوختن استعمال، مایع باتری ممکن است از باتری بیرون بزند؛ از تماس مایع با بدن خودداری کنید. اگر به صورت اتفاقی تماس صورت گرفت، موضع را با آب بشویید. اگر مایع با چشم تماس پیدا کرد، به پزشک مراجعه کنید. مایع خارج شده از باتری ممکن است باعث التهاب یا سوختگی شود.
- از روشن کردن اتفاقی اجتناب کنید. اطمینان حاصل کنید که قبل از اتصال پک باتری با ابزار، کلید روشن / خاموش در وضعیت خاموش باشد. حمل ابزار برقی/شارژی در حالی که انگشتان روی سوئیچ روشن/خاموش است، یا متصل کردن پک باتری به ابزار در حالت روشن ممکن است حادثه ساز باشد.
- باتری را باز نکنید. خطر شدت جریان برق وجود دارد.
- در صورت آسیب دیدگی و استفاده نادرست از باتری، بخاراتی ممکن است متصاعد شود. سریعاً به هوای آزاد بروید و در صورت ناراحتی از پزشک کمک بگیرید. بخارات ممکن است باعث التهاب دستگاه تنفسی شوند.
- اگر باتری معیوب باشد، مایع می‌تواند از آن خارج شده و با اجزای جانبی تماس پیدا کند. تمامی قطعات مربوطه را چک کنید. این اجزا را تمیز کنید یا در صورت لزوم تعویض نمایید.
- باتری را در مقابل حرارت، همچنین تشعشع مداوم آفتاب و آتش محافظت کنید. خطر انفجار وجود دارد.

هشدار! تمامی هشدارهای ایمنی و دستورالعمل ها را مطالعه کنید.



- شارژر باتری را در مقابل باران و رطوبت حفظ کنید. نفوذ آب به داخل شارژر باتری خطر برق گرفتگی را افزایش می‌دهد.
- باتری های دیگر را شارژ نکنید. شارژر باتری فقط برای شارژ باتری های دارای یون لیتیوم در محدوده ولتاژی فهرست شده مناسب است. هرگونه استفاده دیگر باعث آتش گرفتگی و انفجار خواهد شد.
- شارژر باتری را تمیز نگه دارید. آلودگی ممکن است خطر برق گرفتگی به دنبال داشته باشد.
- شارژر باتری، کابل و دو شاخه را هر بار قبل از استفاده چک کنید. اگر تشخیص دادید که شارژر معیوب است، از آن استفاده نکنید. خودتان شارژر باتری را باز نکنید و آن را جهت تعمیر فقط به پرسنل واجد شرایط که از قطعات بدی اصلی استفاده می‌کنند، بسپارید. شارژرها، کابل ها و دو شاخه های آسیب دیده باعث افزایش خطر برق گرفتگی می‌شوند.
- هرگز از شارژر باتری روی سطوح قابل اشتعال (مثل کاغذ، پارچه و غیره) یا در محیط های قابل احتراق استفاده نکنید. خطر آتش سوزی به دلیل گرم شدن شارژر در هنگام شارژ وجود دارد.

سرویس

- ابزار برقی/شارژی را توسط تعمیرکار دارای صلاحیت که فقط از قطعات تعویضی اصلی استفاده می‌کند، سرویس کنید. این کار ایمنی و نگهداری درست وسیله را تضمین می‌کند.
- برای روان کاری و تعویض لوازم جانبی از دستورالعمل ها پیروی کنید.

دارید. لباس گشاد، جواهرات یا موی بلند ممکن است در بین اجزای در حال حرکت گیر کنند.

- اگر دستگاه‌ها ظوری ارائه شده‌اند که قابل اتصال به سیستم غبارگیر و امکانات جمع‌شونده هستند، مطمئن شوید که این تجهیزات به صورت صحیح، متصل و مورد استفاده قرار گیرند. استفاده از سیستم غبارگیر خطرات مربوط به وجود گرد و غبار را کاهش می‌دهد.

- اجازه ندهید آشنایی ناشی از استفاده مکرر از دستگاه باعث اعتماد به نفس کاذب در شما و نادیده گرفتن اصول ایمنی شود. یک اقدام از روی بی‌دقتی می‌تواند باعث آسیب جدی در کسری از ثانیه شود.
- هشدار! افراد برق/شارژی می‌توانند در حین کار میدان الکترومغناطیسی تولید کنند. این میدان ممکن است تحت شرایط خاصی با برخی پروتزهای پزشکی فعال یا منفعل تداخل ایجاد کند. برای کاهش خطرات جدی و کشنده، توصیه می‌کنیم افراد دارای پروتزهای پزشکی قبل از کار با دستگاه‌ها با پزشک خود و تولیدکننده پروتز مشورت کنند.

استفاده از ابزار برقی/شارژی و مراقبت

- افراد دارای استعداد ذهنی و روانی پایین مثل کودکان در صورتی که تحت نظارت یا آموزش لازم توسط افرادی که مسئول ایمنی آنها هستند نباشند، نمی‌توانند با این ابزار کار کنند.
- به ابزار برقی/شارژی فشار وارد نکنید. از ابزار برقی/شارژی مناسب با نوع کاربری مورد نظر استفاده کنید. ابزار مناسب کار را بهتر و ایمن‌تر و با سرعتی که برای آن طراحی شده است، انجام می‌دهد.
- اگر با سونیج روشن و خاموش نمی‌توانید ابزار را خاموش یا روشن کنید، هرگز از ابزار استفاده نکنید. هر ابزاری را که نتوانید به وسیله سونیج کنترل کنید، خطرناک است و باید تعمیر شود.
- قبل از هر گونه تنظیمات، تغییر در لوازم جانبی یا جمع کردن وسیله، دو شاخه ابزار برقی/شارژی را از منبع تغذیه و/یا یک باتری جدا کنید. چنین اقداماتی ایمنی خطر روشن شدن دستگاه به صورت تصادفی را کاهش می‌دهند.
- ابزارهای برقی/شارژی که از آنها استفاده نمی‌کنید، دور از دسترس کودکان قرار دهید و اجازه ندهید افراد نا آشنا با ابزارهای برقی/شارژی یا دستورالعمل‌های آن با این ابزارها کار کنند. ابزارهای برقی/شارژی در دست افراد آموزش ندیده خطرناک هستند.

- از ابزار برقی/شارژی خوب نگهداری کنید. هر گونه عدم توازن یا اتصال قطعات متحرک، شکستگی قطعات و دیگر شرایطی را که ممکن است عملکرد ابزار برقی/شارژی را تحت تاثیر قرار دهد، بررسی کنید. در صورت آسیب دیدگی، ابزار برقی/شارژی را قبل از استفاده تعمیر کنید. بسیاری از حوادث به دلیل نگهداری ضعیف ابزارهای برقی/شارژی اتفاق می‌افتند.
- ابزارهای برقی را تمیز و تیز نگه دارید. ابزارهای برقی که به صورت صحیح نگهداری می‌شوند و لبه‌های آن تیز است، کمتر گیر می‌کنند و قابل کنترل‌تر هستند.

- از ابزار برقی/شارژی، لوازم جانبی و بیت ابزار و غیره مطابق با این دستورالعمل و با توجه به شرایط کاری و نوع کار استفاده کنید. استفاده از ابزار در انجام کارهایی که با کاربری ابزار تناسب ندارد، می‌تواند خطرناک باشد.
- دستگیره‌ها و سطوح جاذب را خشک، تمیز و عاری از هر گونه روغن و چربی نگه دارید. دستگیره‌ها و سطوح جاذب لغزنده مانع کارکردن ایمن و کنترل‌دار در موقعیت‌های غیر قابل پیش‌بینی می‌شوند.
- توجه داشته باشید که هنگامی که با یک ابزار برقی/شارژی کار می‌کنید، دسته‌کمی را به صورت صحیح نگه دارید، که به شما امکان کنترل بهتر ابزار را می‌دهد. بنابراین، درست نگه داشتن وسیله می‌تواند خطر حادثه و آسیب را کمتر کند.

مراقبت و استفاده از باتری ابزار

- باتری را فقط با استفاده شارژر تعبیه شده همراه محصول شارژ کنید. شارژی که برای شارژ یک نوع پک باتری مناسب است، در صورتی

- وقتی با این ابزار کار می‌کنید، از کودکان و تماشاگران بخواهید دور بایستند. عواملی که حواس شما را پرت می‌کنند، ممکن است باعث از دست دادن کنترل شما در هنگام کار شوند.

نکات امنیتی مربوط به برق

- دوشاخه ابزار برقی/شارژی باید با پریز مطابقت داشته باشد. هرگز دوشاخه را به هیچ صورت تغییر ندهید. هرگز از دوشاخه‌های آداپتور برای ابزارهای برقی/شارژی که متصل به زمین هستند، استفاده نکنید. دوشاخه‌های تغییر داده نشده و پریزهای متناسب با دوشاخه خطر برق‌گرفتگی را کاهش می‌دهند.
- از تماس بدنی با سطوح متصل به زمین مثل لوله‌ها، رادیاتورها، گاز و یخچال اجتناب کنید. اگر بدن شما با زمین اتصال پیدا کند، خطر برق‌گرفتگی افزایش می‌یابد.
- ابزارهای برقی/شارژی را در معرض باران یا در محیط‌های مرطوب و خیس قرار ندهید. آبی که به داخل ابزار برقی/شارژی نفوذ می‌کند، خطر برق‌گرفتگی را افزایش می‌دهد.
- از سیم استفاده نامناسب نکنید. هرگز از کابل برای حمل، کشیدن، یا از پریز جدا کردن ابزار استفاده نکنید. کابل را از حرارت، روغن، لبه‌های تیز یا اجسام داری حرکت، دور نگه دارید. کابل‌های خراب یا کابل‌هایی که در جایی گیر کرده‌اند، باعث افزایش خطر برق‌گرفتگی می‌شوند.
- وقتی از ابزار در محیط بیرون استفاده می‌کنید، از کابل اضافی مخصوص محیط بیرون استفاده کنید. استفاده از کابل مخصوص محیط بیرون خطر برق‌گرفتگی را کاهش می‌دهد.
- اگر مجبور هستید از ابزار در محیط مرطوب استفاده کنید، حتماً از کابل محافظ جان (RCD) منبع تغذیه حفاظت شده استفاده کنید. استفاده از RCD خطر برق‌گرفتگی را کاهش می‌دهد. توجه! به جای واژه "کلید محافظ جان (RCD)" ممکن است از واژه‌های "قطع‌کننده مدار زمین مدار شکن (GFCI)" یا "قطع‌کننده مدار زمین نشست شکن (ELCB)" استفاده شود.
- هشدار! هرگز سطوح فلزی داخل جعبه دنده، محافظ و غیره را لمس نکنید، زیرا لمس کردن سطوح فلزی ممکن است با امواج الکترومغناطیسی تداخل ایجاد کند و در نتیجه موجب حادثه و جراحت شود.

ایمنی فردی

- هوشیار باشید، همیشه مراقب آنچه انجام می‌دهید باشید و از عقل سلیم در حین کار بهره‌بردارید. هرگز زمانی که خسته هستید یا تحت تاثیر دارو، الکل یا درمان‌های ابزار برقی/شارژی استفاده نکنید. یک لحظه بی‌توجهی در هنگام کار با ابزارهای برقی/شارژی ممکن است منجر به آسیب جدی در فرد شود.
- از تجهیزات حفاظت فردی استفاده کنید. همیشه از محافظ چشم استفاده کنید. تجهیزات حفاظتی مثل ماسک ضد غبار، کفش ایمنی ضد لغزش، کلاه ایمنی یا محافظ گوش که در شرایط مناسبی استفاده شوند خطر آسیب‌های فردی را کاهش می‌دهند.
- از شروع برنامه ریزی نشده اجتناب کنید. قبل از اتصال وسیله برقی به منبع تغذیه یا باتری یا هنگام برداشتن و حمل ابزار، مطمئن شوید که سونیج در وضعیت خاموش قرار گرفته است. حمل ابزارهای برقی/شارژی در حالی که انگشت شما روی سونیج است یا در طول زدن وسایل برقی در حالی که روی وضعیت روشن قرار دارند، حادثه‌ساز است.
- هر گونه کلید تنظیم یا آچار را قبل از روشن کردن وسیله برقی/شارژی جدا کنید. اگر آچار یا کلید تنظیم در هنگام روشن شدن دستگاه متصل به دستگاه باقی بماند، باعث وارد آمدن آسیب به فرد می‌شود.
- هرگز خود را در هنگام استفاده از دستگاه‌های تک‌فاز یا تک‌فاز، همیشه پاهای خود را به صورت مناسب و متعادل نگه دارید. این کار باعث کنترل بهتر ابزار برقی/شارژی در موقعیت‌های غیر قابل پیش‌بینی می‌شود.
- لباس مناسب بپوشید. از پوشیدن لباس گشاد یا جواهرات خودداری کنید. موها، لباس و دستکش‌های خود را از قسمت‌های در حال حرکت دور نگه

مشخصات ابزار شارژی

CT29003HX-4	CT29003HX-2	افشانه بی سیم
به صفحه 12 مراجعه کنید		کد ابزار شارژی
20 *	20 *	ولتاژ اسمی
Li-Ion	Li-Ion	نوع باتری
60	60	زمان شارژ باتری
4	2	ظرفیت باتری
500	500	مقدار جریان
2	2	حداکثر فشار
1,7 1/16"	1,7 1/16"	نازل Ø
7,5	7,5	ظرفیت مخزن
2,83 6.24	2,52 5.56	وزن
III	III	کلاس ایمنی
—	—	فشار صدا
—	—	توان اکوستیک
—	—	لرزش سنگین

* حداکثر ولتاژ باتری اولیه (اندازه گیری بدون بار کاری) 20 ولت است. ولتاژ اسمی 18 ولت است.

هشدار- برای کاهش خطر آسیب، کاربر باید دستورالعمل های زیر را مطالعه کند!



قوانین ایمنی عمومی

هشدار تمامی هشدارهای ایمنی، تصاویر و مشخصات مربوط به این ابزار برقی شارژی را مطالعه کنید. عدم رعایت هشدارها و دستورالعمل ها ممکن است منجر به برق گرفتگی، آتش سوزی و/ یا آسیب جدی شود.
تمامی هشدارها و دستورالعمل ها را برای مراجعات بعدی نگهداری کنید.
واژه "ابزار برقی" در هشدارها به ابزار برقی (سیمی) متصل به برق شهری یا ابزار برقی (بی سیم) باتری خور اشاره می کند.



امنیت منطقه کاری

- محل کار را تمیز و روشن نگاه دارید. محیط های کاری به هم ریخته و تاریک حادثه ساز هستند.
- ابزارهای برقی را در محیط های قابل انفجار، مثلاً در حضور مایعات، گازها یا غبارهای قابل اشتعال راه اندازی نکنید. ابزارهای برقی/شارژی جرقه هایی تولید می کنند که ممکن است باعث آتش گرفتن غبارها یا گازها شوند.

اطلاعات نويز

همیشه در صورتی که فشار صدا بیش از 85 dB(A) است، از تجهیزات محافظت از گوش استفاده کنید.



CE اعلامیه تطابق

با مسئولیت خود اعلام می کنیم محصول توضیح داده شده در "مشخصات ابزار شارژی" با شرایط مربوط به دستورالعمل های 2006/42/EC، 2014/30/EU از جمله اصلاحات آن ها مطابقت داشته و از استانداردهای زیر تبعیت می کند:

EN 60745-1:2009/A11:2010
EN 50580:2012/A11:2013
EN 55014-1:2017
EN 55014-2:2015

Wu Cunzhen

Wu Cunzhen

مدیر عامل

Merit Link International AG
Stabio, Switzerland, 28.07.2021

Lined writing area consisting of 20 horizontal lines.

