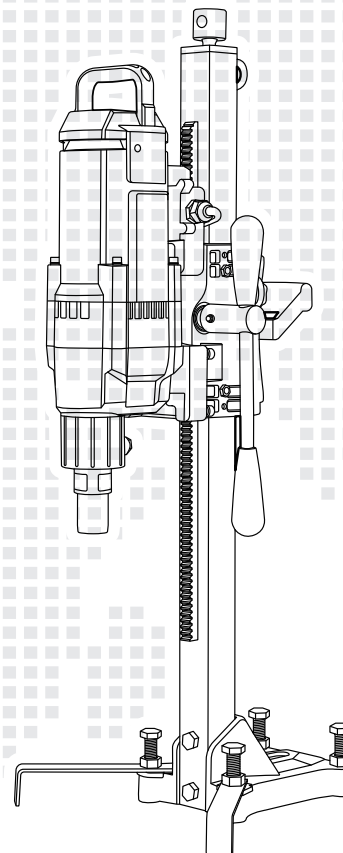




**CROWN**  
TOOLS FOR A BETTER LIFE

■ CT32027  
■ CT32028

CROWN-PT\_Man CT32027\_28\_07.2022\_V.1.0\_EASY-4



**Merit Link International AG**  
P.O. Box 641, CH-6855 Stabio  
Switzerland  
[www.meritlink.com](http://www.meritlink.com)



- en** Original instructions
- ar** دليل المستخدم الأصلي
- ka** ექსპლუატაციის ორიგინალი სახელმძღვანელო
- ru** Оригинальное руководство по эксплуатации



**WARNING – To reduce the risk of injury, user must read instruction manual**

## **1. General Power Tool Safety Warnings**

**WARNING** Read all safety warnings and all instructions. *Failure to follow the warnings and instructions may result in electric shock, fire and/or serious injury.*

**Save all warnings and instructions for future reference.**

*The term "power tool" in the warnings refers to your mains-operated (corded) power tool or battery-operated (cordless) power tool.*

### **1) Work area safety**

- a) **Keep work area clean and well lit.** *Cluttered or dark areas invite accidents.*
- b) **Do not operate power tools in explosive atmospheres, such as in the presence of flammable liquids, gases or dust.** *Power tools create sparks which may ignite the dust or fumes.*
- c) **Keep children and bystanders away while operating a power tool.** *Distractions can cause you to lose control.*

### **2) Electrical safety**

- a) **Power tool plugs must match the outlet. Never modify the plug in any way. Do not use any adapter plugs with earthed (grounded) power tools.** *Unmodified plugs and matching outlets will reduce risk of electric shock.*
- b) **Avoid body contact with earthed or grounded surfaces, such as pipes, radiators, ranges and refrigerators.** *There is an increased risk of electric shock if your body is earthed or grounded.*
- c) **Do not expose power tools to rain or wet conditions.** *Water entering a power tool will increase the risk of electric shock.*
- d) **Do not abuse the cord. Never use the cord for carrying, pulling or unplugging the power tool. Keep cord away from heat, oil, sharp edges or moving parts.** *Damaged or entangled cords increase the risk of electric shock.*
- e) **When operating a power tool outdoors, use an extension cord suitable for outdoor use.** *Use of a cord suitable for outdoor use reduces the risk of electric shock.*
- f) **If operating a power tool in a damp location is unavoidable, use a residual current device (RCD) protected supply.** *Use of an RCD reduces the risk of electric shock.*

### **3) Personal safety**

- a) **Stay alert, watch what you are doing and use common sense when operating a power tool. Do not use a power tool while you are tired or under the influence of drugs, alcohol or medication.** *A moment of inattention while operating power tools may result in serious personal injury.*
- b) **Use personal protective equipment. Always wear eye protection.** *Protective equipment such as dust mask, non-skid safety shoes, hard hat, or hearing protection used for appropriate conditions will reduce personal injuries.*

c) **Prevent unintentional starting. Ensure the switch is in the off-position before connecting to power source and/or battery pack, picking up or carrying the tool.**

*Carrying power tools with your finger on the switch or energizing power tools that have the switch on invites accidents.*

d) **Remove any adjusting key or wrench before turning the power tool on.** *A wrench or a key left attached to a rotating part of the power tool may result in personal injury.*

e) **Do not overreach. Keep proper footing and balance at all times.** *This enables better control of the power tool in unexpected situations.*

f) **Dress properly. Do not wear loose clothing or jewellery . Keep your hair, clothing and gloves away from moving parts.** *Loose clothes, jewellery or long hair can be caught in moving parts.*

g) **If devices are provided for the connection of dust extraction and collection facilities, ensure these are connected and properly used.** *Use of dust collection can reduce dust-related hazards.*

#### 4) Power tool use and care

a) **Do not force the power tool. Use the correct power tool for your application.** *The correct power tool will do the job better and safer at the rate for which it was designed.*

b) **Do not use the power tool if the switch does not turn it on and off.** *Any power tool that cannot be controlled with the switch is dangerous and must be repaired.*

c) **Disconnect the plug from the power source and/or the battery pack from the power tool before making any adjustments, changing accessories, or storing power tools.** *Such preventive safety measures reduce the risk of starting the power tool accidentally.*

d) **Store idle power tools out of the reach of children and do not allow persons unfamiliar with the power tool or these instructions to operate the power tool.**

*Power tools are dangerous in the hands of untrained users.*

e) **Maintain power tools. Check for misalignment or binding of moving parts, breakage of parts and any other condition that may affect the power tool's operation. If damaged, have the power tool repaired before use.** *Many accidents are caused by poorly maintained power tools.*


f) **Keep cutting tools sharp and clean.** *Properly maintained cutting tools with sharp cutting edges are less likely to bind and are easier to control.*

g) **Use the power tool, accessories and tool bits etc. in accordance with these instructions, taking into account the working conditions and the work to be performed.** *Use of the power tool for operations different from those intended could result in a hazardous situation.*

#### 5) Service

a) **Have your power tool serviced by a qualified repair person using only identical replacement parts.** *This will ensure that the safety of the power tool is maintained.*

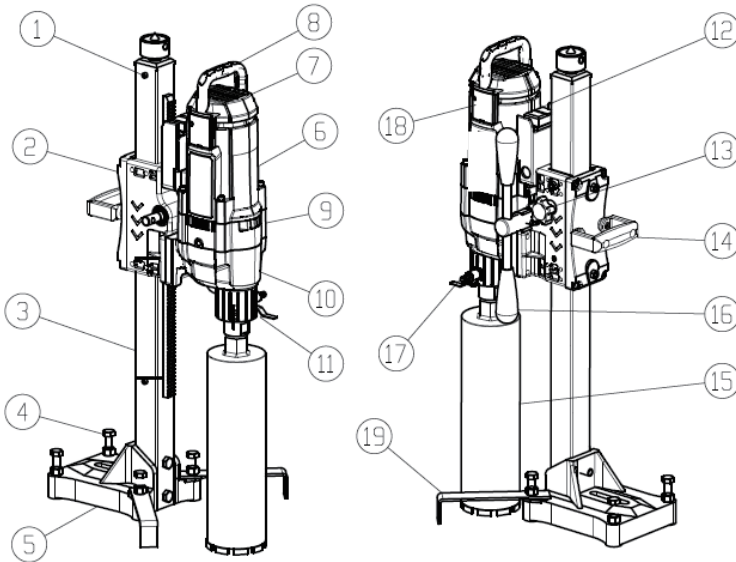
## 2. Diamond Core Drill Safety Warnings

1. **This machine must not be used for drilling upwards for electrical reasons. When drilling horizontally on the wall, attach safety belt on the eye bolt.**
2. Consider work area environment: Don't use diamond core drill in damp or wet locations. Don't expose diamond core drill to rain. Keep work area well-lit. In particular no inflammable liquids or gases must be present. The series motor produce sparks during normal rotating, the sparks may cause the risk of fire.
3. Grounding of class I tools is necessary while in use to protect you from electric shock, class I tools is equipped with an approved three-conductor cord and three-prong grounding-type plug, the green/yellow conductor in the cord is the grounding wire, one end of wire is in the grounding sign of tool outer shell, the other end of wire is connected with the ground wire of plug. Never connect the green/yellow wire to a live terminal.
4.  **Warning! The socket must fitted with grounding, don't insert class I tools into the socket without grounding.**
5. Use extension cords when tool is used outdoors or indoors, use special extension wire board. Use only three-conductor cord and with reliable grounding.
6. Take care of downward direction in the high position, safety belt and safety cap etc are recommended.
7. In order to avoid unintentional electric shock, please check the grounding condition of electrified body in working area before operating, it is not allowed to operate the tool under the uncertain condition, once the drill bit touched the electrified body in the wall, floorboard or baseboard, the electrified outer shell of drill may cause personal injuries.
8. The safety equipment is recommended when drilling on high the ceiling to avoid the drill core injuring the persons downstairs or damaging the property downstairs.
9. Connecting the soft pipe with the inner diameter  $\Phi 16\text{mm}$  to the adaptor of the valve.
10. Please make sure that there is no leak of water in order that it will not damp the motor when you use the liquid and the attachments.
11. Usually inspect the hoses and other critical parts of the tool which could deteriorate;  
When appear of leak of water from the testing hole of the gear box, must turn off the tool immediately then replacing the rubber seal.
12. The maximum permitted pressure of the liquid supply is 0.12MPa;
13. **Warning!** Never to use the tool without the RCD provided;
14. You have to test the correct operation of the RCD before starting work: the red light will be on after pressing the button "RESET"; and the light will be off after pressing the button "TEST"; you can only to operate the tool when the RCD can work correctly.
15. Replacement of the plug or the supply cord shall always be carried out by the manufacturer of the tool or his service organization;

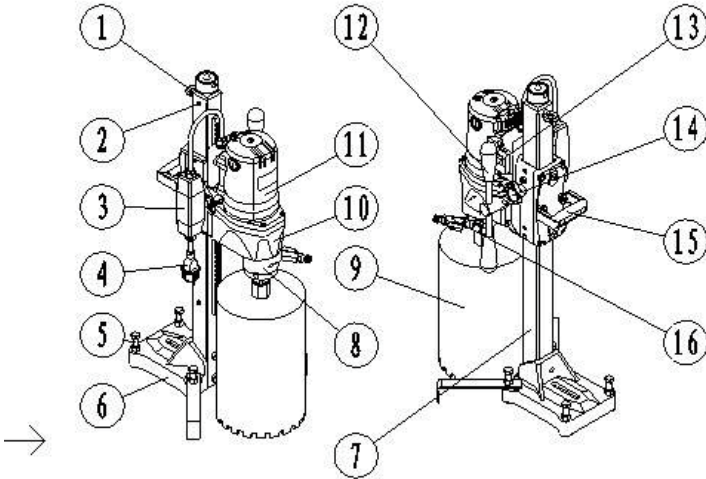
16. Keep liquid clear off the parts of the tool and away from persons in the working area in order that the water can not enter into the electronic equipment of the tool and keep your safety. It must be use catchment set when the machine working with elevation.

17. The  $Z_{max}=(0.11+j0.07)\Omega$  will be listed in the equipment instruction manual and the user will be instructed to determine in consultation with the supply authority, if necessary, that the equipment is connected only to a supply of that impedance or less.

CT32027



1.stop knob 2.lifting unit 3.column 4.leveling bolt 5.base 6.motor cover 7.back cover  
8.lifting handle 9.middle cover 10.gear box 11.water seal cover 12.switch 13.lifting unit stop  
knob 14.lifting unit handle 15.core bit 16.controller 17.water hose 18.carbon brush cover  
19.anti-dumping plate



1. eye bolt 2. stop knob 3. RCD 4. cable plug 5. leveling bolt 6. base 7. column 8. water seal  
 9. core bit 10. gear box 11. motor 12. feed handle  
 13. switch 14. hex bolt 15. carriage block handle 16. water cock

### 3. Technical parameters of the product

Product model	CT32027	CT32028
Rated voltage(V)	230	230
Frequency(Hz)	50	50
Rated power (W)	3200	2400
Output power (W)	2100	1480
No-load speed (r/min)	750	750
Security type	I	I
Net weight of tool	21	19.7
Maximum diamond core drill (mm)	Φ260	Φ205
Connecting thread of diamond core drill(inches)	1-1/4"	1-1/4"

### 4. HANDLING INSTRUCTIONS

#### 1. How to install the drill

(1) Open the package and take out the drill. Loosen the bolt which connects the column and the

base .turn 180 degree and set up as the picture shows

2. Installation by anchor bolt

Adjust the level by leveling bolts.

Tighten the nut of the anchor bolt firmly

3. How to install bit:

Installing the diamond-thin bit carefully, the end thread shall match with the end output shaft. The end thread should be smeared with grease firstly, after tightening the drill bit, let it idly run, do make sure that its radial motion is corresponded with the general requirement, then you can operate the drill.

4. There are should some water in the water switch of drill.

5. Opening a bore, drilling a bore:

How to drill a hole:

1, insert the plug into power outlet.

2, turn the water cock to supply water.

3, turn on the switch and start drilling, feeding the carriage block by hand.

4, drill slowly to the depth at least 5mm.Then continue drilling with stable feeding rate.

5,during the drilling ,if you find the rotating speed decreases significantly ,it indicates the motor is over loaded .you should reduce the pressure immediately until the motor rotates in its original speed .If you observe any unusual smell ,smoke or any other unusual phenomenon ,stop the machine immediately, to avoid the motor damaged ,you should send it to professional maintenance sites 。

**Caution: 1, confirm that nothing blocks the air inlet of the drill motor .If it's blocked, it may cause an overheating and lead to damage of drill motor.**

**2, water supply is ready for starting drilling. If water is not supplied an excessive heat is generated at cutting edge of core bit, and it may be damaged.DO not reuse the water from drainage.it may damage the oil seal in the drill motor.**

6. Material:

When drilling on the reinforced concrete, if the drill bit touched the reinforcing steel bar, the current will be increased suddenly, the motor vibrated and the drill overloaded, at this time, the drill thrust should be reduced properly, the lower current can have a bad effect on the drill speed and the drill bit. If the grit, gravel falls into the drill or the drill touches the reinforcing steel bar, the drill will be caught,

the higher excess current happened, and the clutch skidded, here, please shut off the tool, remove the drill bit and clean the clips in the gap, please wait for about 3 minutes, let the drill cool down before restarting the switch to continue drilling, when drilling the wood, thick blacktop and asphalt felt etc, its current will be increased, so please drill slowly, uniformly and slightly. If the clutch skidded continuously, please stop the drill and retighten the clutch.

#### 7. Remove drill core:

When the drill bit almost drills through the floorboard or wall etc materials, be careful in reducing its drill speed to avoid drilling forcibly. When drilling again, please shut off the tool, remove the drill bit and clean its wall with water, after cleaning the chip, beat the drill slightly with the wood stick, be careful in removing the drill core and damaging the drill bit, then installing the drilling to continue operating.

#### 8、drill shake

When drilling a hole. The shake may cause by carriage block and column have not fit well. Adjust the relevent screw.

#### 9. Keep the motor ventilate and cool down:

During operating the ventilated notch of motor should not be clogged with dirt to avoid the higher temperature affecting the life of motor or burning down the winding.

#### 10. Waterless operation forbidden:

When operation, there should be plenty of water flow onto the surface of the drill bit to cool down, and the mud can be washed out to avoid damaging the drill bit and sealing washer.

#### 11. Avoid dampening the motor:

Do keep the enclosure of the motor away from the water to avoid reducing its insulating performance or leaking electricity. Only use the machine with the direction of vertical downward!

## **5. STRUCTURE, FEATURE AND USAGE**

This tool is a portable diamond core drill, CT32028 is single machine which is suitable for the diamond drill bit 20-205MM, CT32027 is single machine which is suitable for the diamond drill bit 20-260MM. is I class removable power tool, except good quality alloy steel gear to drive also have the mechanism over load protection set in the reduce box, high speed big power series excited machine

use with the strong diamond core bit. Which can drill in the reinforced concrete, brick and stone, in fact the drills are suitable to drill any construction materials at any angle. It owns the advantage of no powder, no shake, low noise, high power, long life and the precision.

## 6. MAINTENANCE

1) If the drill had any troubles, please send it to an authorized service center. It is not strictly allowed to dismantle or replace the parts optionally.

2) Please check the electric brush and commutator periodically, when the brushes are worn by the length of about 7mm, they must be changed. Use only original ones, otherwise, the commutator may be damaged, the both brushes must be changed at the same time. If you find heavy sparking in running or the commutator are worn or burned seriously, please check and repair the commutator or replace a new rotor.

3) The drill should be checked and repaired periodically after used for a long time. Its main items are: whether the electrical wire is good or not, the grounding is reliable or not, the inner wire, switch and plug works well or not, the insulating resistance of motor is safe or not, the stator and rotor are in short circuit or not, the bolts are loosened or not, please replace the lubricating oil and wearing parts etc.

4) Replace the rubber sealing washer in time. After using for a long time, if you find the water is coming in the top of the drill, please check and replace the sealing washer immediately. The gear in the gear case can use lubricating oil, if you find some lubricating oil penetrate the mid-cover air port, please replace the rubber sealing oil ring on the rotor spindle. The brand of special lubricating oil is 110# industrial gear oil. It is not allowed to use common engine oil.

5) Keep the drill clean and dry. If not in use, please clean the drill and it should be kept in dry, clean place, dismantle the drill bit, the main shaft of the drill and the connecting parts of drill thread should be smeared some grease so as to protect them.

6) Adjust safety clutch (When you find the friction of clutch become too small.)

## Environmental Protection and Guarantee

---

### ENVIRONMENT PROTECTION



Waste electrical products should not be disposed of with household waste.  
Please recycle where facilities exist. Check with your local Authority or retailer for recycling advice.

## 7. SOLUTION TO THE PROBLEMS DURING USING

Problems	Possible Reasons	Solution
Motor doesn't run When connecting Power supply	<ol style="list-style-type: none"> <li>1.Power supply disconnected</li> <li>2.Switch breaker positioned</li> <li>3.Brush ill contacting or use up</li> <li>4.The winding of stator &amp; rotor circuit open</li> </ol>	<ol style="list-style-type: none"> <li>1.Check and connect power supply</li> <li>2.Check and repair switch or replace improperly or ill contacting switch</li> <li>3.Replace electric brush</li> <li>4.Check or replace stator &amp; rotor open circuit.</li> </ol>
Heavy sparks and ring Sparks occur on Commutator of motor	<ol style="list-style-type: none"> <li>1.Rotor winding is on short circuit or open circuit</li> <li>2.Brush spring positioned Improperly or ill contacting</li> <li>3.Commutator worn seriously</li> </ol>	<ol style="list-style-type: none"> <li>1.Repair or replace rotor.</li> <li>2.Adjust the spring pressure</li> <li>3.Replace a new rotor</li> </ol>
Drill vibrated	<ol style="list-style-type: none"> <li>1.The base fixed loosened</li> <li>2.The gap between elevating body and square rack largened</li> <li>3.Elevating body and connecting bolts loosened</li> </ol>	<ol style="list-style-type: none"> <li>1.Reassemble and fix the frame</li> <li>2.Adjust the gap</li> <li>3.Check bolt</li> </ol>
Drill speed is slow	<ol style="list-style-type: none"> <li>1.Drill bit worn</li> <li>2.Ceiling pouring quality is bad, there are grits or chips in gap</li> <li>3.Drill vibrated</li> <li>4.The nuts on the safety friction</li> </ol>	<ol style="list-style-type: none"> <li>1.Repair or replace drill bit</li> <li>2.Stop the drill, remove the foreign materials from gap</li> <li>3.Adjust and tighten connecting bolt.</li> <li>4.Tightening nuts clutch loosened</li> </ol>

<p>2. فحص وإصلاح المفتاح أو استبدال مفتاح الاتصال غير الصحيح أو السيئ</p> <p>3. استبدال فرشاة كهربائية</p> <p>4. فحص أو استبدال الجزء المفتوح والدوار الثابت.</p>	<p>2. قاطع تبديل وضعه</p> <p>3. فرشاة سوء الاتصال أو استخدام ما يصل</p> <p>4. لف الموالي والدائرة المفتوحة</p>	<p>مصدر الطاقة</p>
<p>1. إصلاح أو استبدال الدوار.</p> <p>2. ضبط ضغط الربيع</p> <p>3. استبدال الدوار الجديد</p>	<p>1. لف الدوار على ماس كهربائي أو دائرة مفتوحة</p> <p>2. فرشاة الربيع في وضع ملامس بشكل غير صحيح أو سوء</p> <p>3. مبدل يرتديها على محمل الجد</p>	<p>الشرارات الثقيلة والشرر الدائري تحدث على مبدل المحرك</p>
<p>1. إعادة تجميع وإصلاح الإطار</p> <p>2. تعديل الفجوة</p> <p>3. تحقق الترياس</p>	<p>1. خففت القاعدة الثابتة</p> <p>2. اتسعت الفجوة بين رفع الجسم وحامل مربع</p> <p>3. فك الجسم رفع وربط البراغي</p>	<p>اهتزت الحفر</p>
<p>1. إصلاح أو استبدال لقمة الحفر</p> <p>2. أوقف الحفر، قم بإزالة المواد الغريبة من الفجوة</p> <p>3. ضبط وربط ربط الترياس.</p> <p>4. ربط مخلب صواميل الربط</p>	<p>1. مثقاب تليس</p> <p>2. جودة صب السقف سيئة، هناك فجوات أو رقائق في الفجوة</p> <p>3. اهتزت الحفر</p> <p>4. المكسرات على احتكاك السلامة</p>	<p>سرعة الحفر بطيئة</p>

## 7. إزالة لب الحفر:

عندما تقوم مثقاب الحفر بالثقب تقريبًا من خلال لوح الأرضية أو مواد الجدار، إلخ، كن حذرًا في تقليل سرعة الحفر لتجنب الحفر بالقوة. عند الحفر مرة أخرى، يرجى إغلاق الأداة، وإزالة لقمة الحفر وتنظيف جدارها بالماء، وبعد تنظيف الشريحة، وضرب الحفر قليلاً بعصا خشبية، واحذر من إزالة لب الحفر وإتلاف لقمة الحفر، ثم قم بتركيب الحفر لمواصلة العمل.

## 8. اهتزاز الحفر

عند حفر حفرة. قد يتسبب الاهتزاز في كتلة حامل الخراطيش وعمود غير مناسب بشكل جيد. اضبط المسامير الملائم.

## 9. الحفاظ على تهوية المحرك وتبريده:

أثناء التشغيل، يجب عدم انسداد الشق التهوية للمحرك بالأوساخ لتجنب ارتفاع درجة الحرارة التي تؤثر على عمر المحرك أو حرق اللف.

## 10. ممنوع التشغيل بدون ماء:

عند التشغيل، يجب أن يكون هناك الكثير من تدفق الماء على سطح لقمة الحفر للتبريد، ويمكن غسل الطين لتجنب إتلاف لقمة الحفر وغسالة الختم.

## 11. تجنب تروطيب المحرك:

احفظ بعلبة المحرك بعيدًا عن الماء لتجنب تقليل أدائها العازل أو تسرب الكهرباء. لا تستخدم الآلة إلا مع الاتجاه العمودي للأسفل!

## 5. الهيكل والميزة والاستخدام

هذه الأداة عبارة عن آلة محمولة من لب الماس؛ CT32028 هي آلة مفردة مناسبة لتقنب الماس 20-205 MM، CT32027 هي آلة مفردة مناسبة لتقنب الماس MM20-260. هي أداة من فئة الطاقة القابلة للإزالة، باستثناء سبائك ذات نوعية جيدة والعتاد الصلب للقيادة لديه أيضًا آلية للحماية من الحمل محددة في سلسلة الطاقة الكبيرة ذات السرعة المنخفضة ذات الصندوق الكبير التي تستخدمها الماكينة مع بت الماس القوي. والتي يمكن حفرها في الخرسانة المسلحة والطوب والحجر، في الواقع التدريبات مناسبة لحفر أي مواد بناء في أي زاوية. إنه يمتلك ميزة عدم وجود مسحوق، لا اهتزاز، ضوضاء منخفضة، طاقة عالية، عمر طويل ودقة.

## 6. الصيانة

- 1) إذا واجهت التدريبات أي مشاكل، يرجى إرسالها إلى مركز خدمة معتمد. لا يُسمح بتفكيك أو استبدال الأجزاء بشكل اختياري.
- 2) يرجى التحقق من الفرشاة والعاكس الكهربائي بشكل دوري، عندما يتم ارتداء الفرش بطول حوالي 7 mm، يجب تغييرها. استخدم الأصناف الأصلية فقط، وإلا فقد يتلف العاكس، ويجب تغيير الفرشتين في نفس الوقت. إذا وجدت شرارة ثقيلة في الجري أو ارتدى المبدل أو احترق بشكل خطير، يرجى التحقق من المبدل وإصلاحه أو استبدال الدوار الجديد.
- 3) يجب فحص وإصلاح الحفر بشكل دوري بعد استخدامه لفترة طويلة. العناصر الرئيسية هي: سواء كان السلك الكهربائي جيدًا أم لا، فإن التآريض موثوق به أم لا، فإن السلك الداخلي، والمفتاح والمقيس يعمل جيدًا أم لا، ومقاومة العزل للمحرك آمنة أم لا، والجزء الثابت والدوار قصير دائرة أم لا، يتم فك البراغي أم لا، يرجى استبدال زيت التشحيم وأجزاء التآكل وما إلى ذلك.
- 4) استبدال غسالة ختم المطاط في الوقت المناسب. بعد الاستخدام لفترة طويلة، إذا وجدت أن الماء قادم في الجزء العلوي من المثقاب، يرجى التحقق من الغسالة واستبدالها على الفور. يمكن أن يستخدم الترس الموجود في علبة التروس زيت التشحيم، إذا وجدت أن بعض زيت التشحيم يخرق منفذ الهواء ذو الغطاء المتوسط، فيرجى استبدال حلقة زيت الختم المطاطي على محور الدوران. العلامة التجارية لزيت التشحيم الخاص هي # 110 زيت التروس الصناعي. لا يسمح باستخدام زيت المحرك الشائع.
- 5) الحفاظ على المثقاب نظيفًا وجافًا إذا لم يكن قيد الاستخدام، يرجى تنظيف المثقاب ويجب أن يبقى في مكان جاف ونظيف، وتفكيك لقمة الحفر، والعمود الرئيسي للحفر والأجزاء المتصلة لخيوط الحفر يجب تطهير بعض الشحوم لحمايتها.
- 6) اضبط قابض الأمان (عندما تجد أن احتكاك القابض يصبح صغيرًا جدًا).

## حماية وضمان البيئة

## حماية البيئة

لا يجب التخلص من نفايات المنتجات الكهربائية مع النفايات المنزلية. يرجى إعادة تدوير البطاريات التي توجد فيها مرافق. تحقق مع السلطة المحلية أو بائع التجزئة للحصول على نصائح حول إعادة التدوير.



## 7. حل المشاكل أثناء الاستخدام

مشكلة	أسباب محتملة	حل
لا يعمل المحرك عند توصيل	1. انقطاع التيار الكهربائي	1. فحص وتوصيل التيار الكهربائي

### 3. المعايير الفنية للمنتج

CT32027	CT32028	موديل المنتج
230	230	الجهد (V)
50	50	التردد (Hz)
3200	2400	الطاقة المقدرة (W)
2100	1480	طاقة الإخراج (W)
750	750	سرعة عدم التحميل (r/min)
I	I	نوع الأمن
21	19.7	الوزن الصافي للأداة
Φ260	Φ205	أقصى مثقاب لبّ الألماسة (mm)
1-1/4"	1-1/4"	ربط خيط لمثقاب لبّ الألماسة (inches)

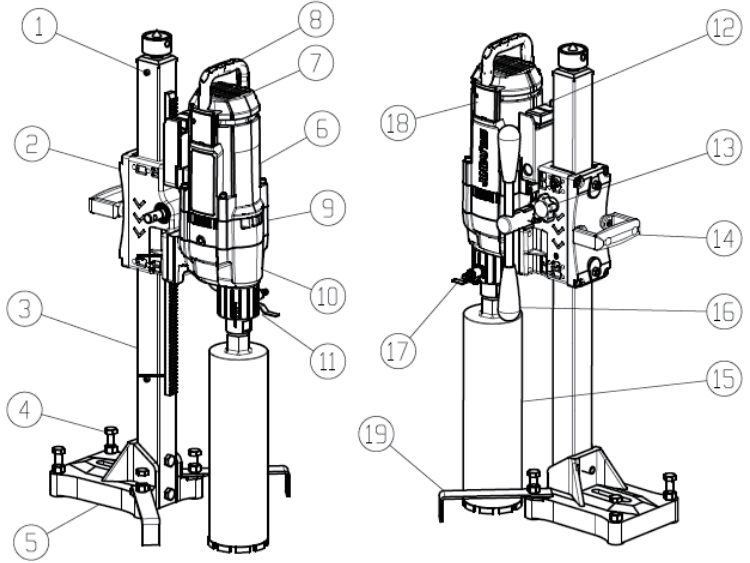
### 4. تعليمات المناولة

1. كيفية تثبيت المثقاب
- (1) افتح العبوة وأخرج التدرجات.
2. التثبيت بواسطة الترياس مرسة
- اضبط المستوى عن طريق تسوية البراعي.
- أحكم ربط صمولة مسمار التثبيت بإحكام
3. كيفية تثبيت بت:
- بتركيب الماس الرقيق بعناية، يجب أن يتطابق الخيط النهائي مع عمود الإخراج النهائي. يجب تطيخ الخيط النهائي باستخدام الشحوم أولاً، بعد شد لقمة الحفر، دعها تعمل ببطء، تأكد من أن حركتها الشعاعية تتوافق مع المتطلبات العامة، ثم يمكنك تشغيل الحفر.
4. يجب أن يكون هناك بعض الماء في تبديل المياه للحفر.
5. فتح حفرة مثقوبة، حفر حفرة مثقوبة:
- كيفية حفر حفرة:
- 1، أدخل القابس في مأخذ الطاقة.
- 2، تحويل الديك الماء لتوفير المياه.
- 3، قم بتشغيل المفتاح وابدأ الحفر، وتغذية كتلة النقل باليد.
- 4، حفر ببطء إلى عمق لا يقل عن 5 mm، ثم استمر في الحفر بمعدل تغذية مستقر.
- 5، أثناء الحفر، إذا وجدت أن سرعة الدوران تنخفض بشكل كبير، فهذا يشير إلى أن المحرك قد تم تحميله أكثر من اللازم. يجب عليك تقليل الضغط على الفور حتى يدور المحرك في سرعته الأصلية. إذا لاحظت أي رائحة غير عادية أو دخان أو أي شيء غير عادي آخر الظاهرة، أوقف الآلة على الفور، لتجنب تلف المحرك، يجب عليك إرسالها إلى مواقع الصيانة المهنية.
- تحذير: 1، تأكد من أن لا شيء يمنع مدخل الهواء لمحرك الحفر. إذا تم حظره، فقد يتسبب في ارتفاع درجة الحرارة ويؤدي إلى تلف محرك الحفر.
- 2، إمدادات المياه جاهزة لبدء الحفر. إذا لم يتم توفير المياه، يتم توليد حرارة زائدة عند طليعة اللقم الأساسية، وقد تتلف، ولا تتم بإعادة استخدام المياه من الصرف، فقد تتسبب في تلف مانع تسرب الزيت في محرك الحفر.
6. المواد:

عند الحفر على الخرسانة المسلحة، إذا لامس مثقاب القضيب الفولاذي المقوى، فسيزداد التيار فجأة، ويهتز المحرك ويثقل الحفر، في هذا الوقت، يجب تقليل دفع الحفر بشكل صحيح، يمكن أن يكون للتيار السفلي تأثير سيء على سرعة الحفر وقمة الحفر. إذا سقط الحصى أو الحصى في المثقاب أو لامس الحفر شريط الفولاذ المقوى، فسيتم الإمساك بالتقب، وحدث التيار الزائد الأعلى، وانزلق القابض، هنا، يرجى إغلاق الأداة، وإزالة لقمة الحفر وتنظيف مقاطع في الفجوة، يرجى الانتظار لمدة 3 دقائق تقريباً، دع المثقاب يبرد قبل إعادة تشغيل المفتاح لمواصلة الحفر، عند حفر الخشب، والأسطح السميكة السفلية والأسفلت الملموسة وما إلى ذلك، سيتم زيادة تيارها، لذا يرجى الحفر ببطء وموحد وبعض الشيء. إذا انزلق القابض بشكل مستمر، فالرجاء إيقاف الحفر وإعادة ربط القابض.

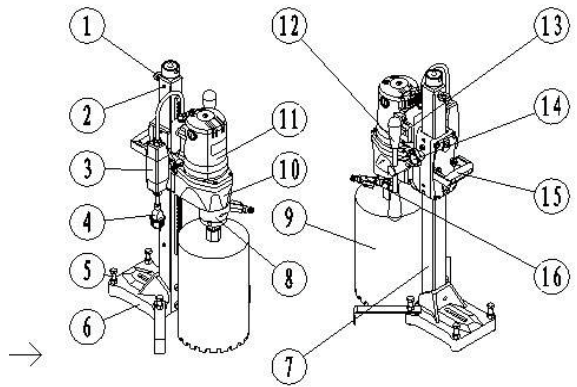
17. سيتم إدراج  $Z_{max} = (0.11 + j0.07) \Omega$  في دليل تعليمات المعدات وسيتم إرشاد المستخدم ليحدد بالتشاور مع سلطة التوريد، إذا لزم الأمر، أن الجهاز متصل فقط بتوريد ذلك مقاومة أو أقل.

### CT32027



1. مقبض الإيقاف. 2. وحدة الرفع. 3. العمود. 4. برغي المستوى. 5. قاعدة. 6. غطاء المحرك. 7. الغطاء الخلفي. 8. مقبض الرفع. 9. غطاء منتصف. 10. صندوق التروس. 11. غطاء ختم المياه. 12. مفتاح. 13. زر إيقاف وحدة الرفع. 14. مقبض وحدة الرفع. 15. بت الأساسية. 16. موجه. 17. خرطوم المياه. 18. غطاء فرشاة الكربون. 19. لوحة مكافحة الإغراق.

### CT32028



1. مسمار العين. 2. مقبض الإيقاف. 3. RCD. 4. قابس كابل. 5. مسمار المستوى. 6. قاعدة. 7. العمود. 8. ختم المياه. 9. بت الأساسية. 10. صندوق التروس. 11. المحرك. 12. مقبض التغذية. 13. مفتاح. 14. مسمار العرافة. 15. مقبض كتلة حامل الخراطيش. 16. الديك الماء.

(d) قم بتخزين أدوات الطاقة الخاملة بعيدًا عن متناول الأطفال ولا تسمح للأشخاص غير المطلعين على أداة الطاقة أو هذه التعليمات بتشغيل أداة الطاقة.

أدوات الطاقة خطيرة في أيدي المستخدمين غير المدربين.

(e) الحفاظ على أدوات كهربائية. تحقق من عدم محاذة أو تحريك الأجزاء المتحركة وكسر الأجزاء وأي حالة أخرى قد تؤثر على تشغيل الأداة الكهربائية. في حالة تلفها، قم بإصلاح الأداة الكهربائية قبل الاستخدام. تنتج العديد من الحوادث عن أدوات كهربائية سيئة الصيانة.

(f) حافظ على أدوات القطع حادة ونظيفة. أدوات القطع التي تتم صيانتها بشكل صحيح مع حواف قطع حادة أقل عرضة للربط ويسهل التحكم فيها.

(g) استخدم أداة الطاقة والملحقات ولقم الأداة وما إلى ذلك وفقًا لهذه التعليمات، مع مراعاة ظروف العمل والعمل الذي يتعين القيام به. قد يؤدي استخدام الأداة الكهربائية لعمليات مختلفة عن تلك المقصودة إلى موقف خطير.

## 5 الخدمة

(a) قم بصيانة أداة الطاقة الخاصة بك من قبل شخص إصلاح مؤهل باستخدام قطع غير متطابقة فقط. سيضمن ذلك الحفاظ على سلامة الأداة الكهربائية.

## 2. تحذيرات سلامة مثقَاب لب الألماسة

1. يجب عدم استخدام هذا الجهاز لحفر أسباب صعود العدو الكهربائية. عند الحفر أفقيًا على الحائط، قم بتثبيت حزام الأمان على مسامير العين.

2. ضع في اعتبارك بيئة منطقة العمل: لا تستخدم المثقَاب الأساسي الماسي في الأماكن الرطبة أو الرطبة. لا تعرض الحفر الماس الأساسي للمطر. حافظ على إضاءة منطقة العمل جيدًا. على وجه الخصوص يجب ألا تكون هناك سائل أو غازات قابلة للاشتعال. ينتج المحرك سلسلة الشرر أثناء الدوران العادي، قد تسبب الشرر خطر الحريق.

3. تأريض أدوات الفتحة | ضروري أثناء الاستخدام لحمايتك من الصدمة الكهربائية، وتم تجهيز أدوات الفتحة | بسلك ثلاثي الموصلات معتمد وقابس تأريض ثلاثي الشقوق، الموصل الأخضر / الأصفر في السلك هو سلك التأريض، أحد طرفي السلك في علامة التأريض للفتحة الخارجية للأداة، ويتم توصيل الطرف الآخر من السلك بسلك الأرض من القابس. لا تقم بتوصيل السلك الأخضر / الأصفر بطرف | بسلك مباشر.



4. تحذير! يجب أن يكون المقبس مزودًا بالتأريض، ولا تدخل أدوات الفتحة الأولى في المقبس بدون التأريض.

5. استخدم أسلاك التمديد عند استخدام الأداة في الهواء الطلق أو في الداخل، استخدم لوحة سلك التمديد الخاصة. استخدم فقط ثلاث موصلات وأرضية موثوقة.

6. احرص على الاتجاه النزولي في الموقع العالي، ينصح بحزام الأمان وغطاء الأمان وما إلى ذلك.

7. من أجل تجنب الصدمة الكهربائية غير المقصودة، يرجى التحقق من حالة التأريض للجسم المكهرب في منطقة العمل قبل التشغيل، لا يُسمح بتشغيل الأداة في حالة غير مؤكدة، بمجرد لمس لقمة الحفر الجسم المكهرب في الجدار، لوح الأرضية أو اللوح الأساسي، قد يسبب الغلاف الخارجي المكهرب للحفر إصابات شخصية.

8. يوصى باستخدام معدات الأمان عند الحفر في السقف العالي لتجنب إصابة نواة الحفر في الطابق السفلي أو إتلاف الممتلكات في الطابق السفلي.

9. توصيل الأنابيب اللينة ذات القطر الداخلي 16Φ mm بمحول الصمام.

10. يرجى التأكد من عدم وجود تسرب للماء حتى لا يبيل المحرك عند استخدام السائل والملحقات.

11. تفقد عادة الخراطيم والأجزاء الحرجة الأخرى من الأداة التي يمكن أن تتدهور؛

عند ظهور تسرب للماء من فتحة الاختبار لصندوق التروس، يجب إيقاف تشغيل الأداة على الفور ثم استبدال الختم المطاطي.

12. الحد الأقصى للضغط المسموح به لإمدادات السائل هو 0.12MPa؛

13. تحذير! عدم استخدام الأداة مطلقًا دون توفير RCD؛

14. يجب عليك اختبار التشغيل الصحيح لـ RCD قبل بدء العمل: سيتم تشغيل الضوء الأحمر بعد الضغط على زر "RESET"

(إعادة تعيين)؛ وسوف يطفى الضوء بعد الضغط على زر "TEST" (اختبار)؛ يمكنك فقط تشغيل الأداة عندما يمكن أن يعمل RCD

بشكل صحيح.

15. يتم دائمًا استبدال القابس أو سلك الإمداد بواسطة الشركة المصنعة للأداة أو مؤسسة الخدمة؛

16. احفظ السائل بعيدًا عن أجزاء الأداة وبعيدًا عن الأشخاص في منطقة العمل حتى لا تتمكن المياه من دخول المعدات الإلكترونية للأداة والحفاظ على سلامتك. يجب أن يكون استخدام مجموعة مستجمعات المياه عندما تعمل الآلة مع الارتفاع.



تحذير - لتقليل خطر الإصابة، يجب على المستخدم قراءة دليل التعليمات

## 1. تحذيرات عامة لسلامة أداة الطاقة

تحذير اقرأ جميع تحذيرات السلامة وجميع التعليمات. قد يؤدي عدم اتباع التحذيرات والتعليمات إلى حدوث صدمة كهربائية و / أو حريق و / أو إصابة خطيرة.

احفظ جميع التحذيرات والتعليمات للرجوع إليها في المستقبل.

يشير مصطلح "أداة الطاقة" في التحذيرات إلى أداة الطاقة (السلكية) التي تعمل بالطاقة الكهربائية أو أداة الطاقة التي تعمل بالبطارية (اللاسلكي).

(1) سلامة منطقة العمل

(a) الحفاظ على منطقة العمل نظيفة ومضاءة جيداً. المناطق المزدحمة أو المظلمة تدعو إلى الحوادث.

(b) لا تقم بتشغيل أدوات الطاقة في الأجواء المتفجرة، مثل وجود سوائل أو غازات أو أتربة قابلة للاشتعال. أدوات الطاقة تخلق شرارات قد تشعل الغبار أو الأبخرة.

(c) أبعد الأطفال والمارة أثناء تشغيل أداة الطاقة. الانحرافات يمكن أن يؤدي إلى فقدان التحكم.

## (2) السلامة الكهربائية

(a) يجب أن تتطابق مقاييس أداة الطاقة مع المخرج. لا يجب تغيير المقيس في جميع الاحوال. لا تستخدم أي مقاييس محول مع أدوات الطاقة المؤرضة. المقاييس غير المعدلة والمنافذ المتطابقة ستقلل من خطر حدوث صدمة كهربائية.

(b) تجنب ملامسة الجسم للأسطح المؤرضة، مثل الأنابيب والمشعات والنطاقات والثلاجات. هناك خطر متزايد من حدوث صدمة كهربائية إذا كان جسمك مؤرضاً.

(c) لا تعرض أدوات الطاقة للمطر أو الظروف الرطبة. دخول الماء إلى أداة الطاقة سيزيد من خطر حدوث صدمة كهربائية.

(d) لا تسيء استخدام الحبل. لا تستخدم أبداً السلك لحمل أداة الطاقة أو سحبها أو فصلها. احفظ السلك بعيداً عن الحرارة أو الزيت أو الحواف الحادة أو الأجزاء المتحركة. تالف أو الحبال المشابكية تزيد من خطر الصدمة الكهربائية.

(e) عند تشغيل أداة الطاقة في الهواء الطلق، استخدم سلك تمديد مناسب للاستخدام في الهواء الطلق. يقلل استخدام سلك مناسب للاستخدام الخارجي من خطر التعرض لصدمة كهربائية.

(f) إذا كان تشغيل أداة الطاقة في مكان رطب أمراً لا مفر منه، فاستخدم مورداً محمياً لجهاز التيار المتبقي (RCD). يقلل استخدام RCD من أجل الديمقراطية من خطر حدوث صدمة كهربائية.

## (3) السلامة الشخصية

(a) كن متيقظاً، وشاهد ما تفعله واستخدم الحس السليم عند تشغيل أداة الطاقة. لا تستخدم أداة الطاقة عندما تكون متعباً أو تحت تأثير المخدرات أو الكحول أو الأدوية. قد تؤدي لحظة من عدم الانتباه أثناء تشغيل أدوات الطاقة إلى إصابة شخصية خطيرة.

(b) استخدام معدات الحماية الشخصية. ارتد دائماً حماية العين. ستقلل المعدات الواقية مثل قناع الغبار، أحذية السلامة غير المنزلق، القفاز الصلبة، أو حماية السمع المستخدمة في الظروف المناسبة من الإصابات الشخصية.

(c) منع البدء غير المقصود. تأكد من أن المفتاح في وضع إيقاف التشغيل قبل الاتصال بمصدر الطاقة و / أو حزمة البطارية، التقاط الأداة أو حملها.

حمل أدوات الطاقة بإصبعك على المفتاح أو تنشيط أدوات الطاقة التي تحتوي على مفتاح تشغيل يدعو للحوادث.

(d) قم بإزالة أي مفتاح ضبط أو مفتاح ربط قبل تشغيل أداة الطاقة. قد ينتج عن مفتاح ربط أو مفتاح أيسر متصل بجزء دوار من أداة الطاقة إصابة شخصية.

(e) لا تتألق. حافظ على أساس سليم والتوازن في جميع الأوقات. وهذا يتيح تحكماً أفضل في أداة الطاقة في المواقف غير المتوقعة.

(f) البس بشكل صحيح. لا ترتدي ملابس فضفاضة أو مجوهرات. أبق شعرك وملابسك وقفازاتك بعيداً عن الأجزاء المتحركة. يمكن التقاط الملابس الفضفاضة أو المجوهرات أو الشعر الطويل في أجزاء متحركة.

(g) إذا تم توفير أجهزة لتوصيل منشآت استخراج الغبار وجمعه، فتأكد من توصيلها واستخدامها بشكل صحيح. يمكن أن يقلل استخدام جميع الغبار من المخاطر المتعلقة بالغبار.

## (4) استخدام أدوات الطاقة والعناية بها

(a) لا تجبر أداة الطاقة. استخدم أداة الطاقة الصحيحة لتطبيقك. الأداة الكهربائية الصحيحة ستؤدي المهمة بشكل أفضل وأكثر أماناً بالسعر الذي صُممت من أجله.

(b) لا تستخدم أداة الطاقة إذا لم يتم تشغيل المفتاح وإيقاف تشغيله. أي أداة الطاقة لا يمكن التحكم بها باستخدام المفتاح خطيرة ويجب إصلاحها.

(c) أفضل المقاييس من مصدر الطاقة و / أو حزمة البطارية من أداة الطاقة قبل إجراء أي تعديلات أو تغيير الملحقات أو تخزين أدوات الطاقة. تقلل تدابير السلامة الوقائية هذه من خطر بدء تشغيل أداة الطاقة عن طريق الخطأ.



გაფრთხილება – ტრავმის რისკის თავიდან აცილების მიზნით ყურადღებით გაეცანით

წინამდებარე ინსტრუქციებს

## 1. ელექტრო ინსტრუმენტის უსაფრთხოების ზოგადი ზომები

გაფრთხილება! გაეცანით უსაფრთხოების ყველა ზომას და ინსტრუქციას. *გაფრთხილებების და ინსტრუქციების დარღვევას შესაძლოა შედეგად მოჰყვეს ელექტროშოკი, ხანძარი და/ან სერიოზული ტრავმა.*

შეინახეთ გაფრთხილებები და ინსტრუქციები შემდგომი გამოყენების მიზნებისთვის.

*გაფრთხილებებში მითითებული ტერმინი „ელექტრო ინსტრუმენტი“ მოიცავს თქვენს ქსელში მიერთებულ (ელექტრო სადენიან) ელექტრო ინსტრუმენტს ან აკუმულატორიან (უსადენო) ელექტრო ინსტრუმენტს.*

### 1) სამუშაო ადგილის უსაფრთხოება

a) სამუშაო ადგილზე შეინარჩუნეთ სისუფთავე და უზრუნველყავით შესაბამისი განათება.

*გადატვირთული ან ბნელი სამუშაო ადგილი შესაძლოა გახდეს უბედური შემთხვევის მიზეზი.*

b) დაუშვებელია ელექტრო ინსტრუმენტით მუშაობა ფეთქებად ატმოსფეროში, მაგალითად, აალებადი სითხეების, აირების ან მტვრის სახით არსებული ნივთიერებების შემთხვევაში. *ელექტრო ინსტრუმენტი გამოყოფს ნაპერწკალს, რომელმაც შესაძლოა გამოიწვიოს მტვრის ან აირების აალება.*

c) ელექტრო ინსტრუმენტით მუშაობისას დაუშვებელია ბავშვების ან უცხო პირების დასწრება.

*ყურადღების გაფანტვას შესაძლოა შედეგად მოჰყვეს მართვის დაკარგვა.*

### 2) ელექტრო უსაფრთხოება

a) ელექტრო ინსტრუმენტის შტეკერი უნდა შეესაბამებოდეს შტეფსელის როზეტს. ნებისმიერ შემთხვევაში დაუშვებელია შტეკერის მოდიფიცირება. არ გამოიყენოთ გადაამყვანი შტეკერები დამიწებულ ელექტრო ინსტრუმენტებთან. *არამოდიფიცირებული შტეკერები და სათანადო შტეფსელის როზეტები ამცირებენ ელექტრო დენით დაზიანების რისკებს.*

b) მოერიდეთ ფიზიკურ კონტაქტს დამიწებულ ზედაპირებთან, როგორცაა მილები, რადიატორები, ქურები და მაცივრები. *თქვენი სხეულის დამიწების შემთხვევაში არსებობს ელექტრო დენით დაზიანების რისკი.*

c) დაიცავით ელექტრო ინსტრუმენტი წვიმის ან წყლის ზემოქმედებისგან. *ელექტრო ინსტრუმენტში წყლის მოხვედრა ზრდის ელექტრო დენით დაზიანების რისკებს.*

d) დაუშვებელია ელექტროსადენის დანიშნულების გარეშე გამოყენება. ნუ გამოიყენებთ ელექტროსადენს ელექტრო ინსტრუმენტის გადასატანად, გადასათრევად ან გამოსართავად. მთავრად ელექტროსადენი სითბოს, ზეთის წყაროს, ბასრ კიდეებს ან მოძრავ ნაწილებს. დაზიანებულმა ან ახლართულმა ელექტროსადენმა შესაძლოა გამოიწვიოს ელექტრო დენით დაზიანების რისკის ზრდა.

e) ელექტრო ინსტრუმენტით ღია სივრცეში მუშაობისას გამოიყენეთ ღია სივრცეში მუშაობისთვის შესაბამისი დამაგრძელებელი. ღია სივრცეში სამუშაოდ შესაბამისი დამაგრძელებლის გამოყენება ამცირებს ელექტრო დენით დაზიანების რისკს.

f) იმ შემთხვევაში, თუ აუცილებელია ელექტრო ინსტრუმენტით ტენიან ადგილზე მუშაობა, გამოიყენეთ დიფერენცირებული დაცვის მოწყობილობა (RCD). RCD გამოყენება ამცირებს ელექტრო დენით დაზიანების რისკს.

### 3) პირადი უსაფრთხოება

a) გამოიჩინეთ სიფრთხილე, თვალყური ადევნეთ თქვენს მოქმედებებს და იმოქმედეთ ფხიზელი გონებით ელექტრო ინსტრუმენტით მუშაობის დროს. ნუ ამუშავებთ ელექტრო ინსტრუმენტს იმ შემთხვევაში, თუ თქვენ დადლილი ხართ ან იმყოფებით ალკოჰოლური სასმელის, ნარკოტიკული ნივთიერებების ან მედიკამენტის ზემოქმედების ქვეშ. ელექტრო ინსტრუმენტით მუშაობისას წამიერმა უყურადღებობამაც კი შესაძლოა გამოიწვიოს სერიოზული დაზიანება.

b) გამოიყენეთ პერსონალური დამცავი აღჭურვილობა. ყოველთვის გამოიყენეთ დამცავი სათვალეები. შესაბამის ვითარებაში ისეთი დამცავი აღჭურვილობის გამოყენება, როგორცაა მტკრისგან დამცავი ნიღაბი, არასრიალა დამცავი ფეხსაცმელი, ჩაფხუტი ან სმენის ორგანოების დამცავი, შეამცირებს ტრავმების რისკს.

c) აღკვეთეთ მოულოდნელი ჩართვა. ინსტრუმენტის კვების წყაროზე და/ან აკუმულატორიან აკუმულატორზე მიერთებამდე, ინსტრუმენტის აწევამდე ან გადატანამდე, დარწმუნდით, რომ ამომრთველი იმყოფება გამორთულ მდგომარეობაში. ელექტრო ინსტრუმენტის გადატანა ამომრთველზე მოთავსებული თითით ან ამომრთველის ჩართულობა ელექტრო ინსტრუმენტის კვების წყაროზე მიერთების დროს, გამოიწვევს უბედურ შემთხვევას.

d) ელექტრო ინსტრუმენტის ჩართვამდე მოხსენით ნებისმიერი ქანჩის გასაღები ან ქანჩსახრახნი. ელექტრო ინსტრუმენტის მბრუნავ ნაწილზე მიმაგრებული ქანჩსახრახნის ან გასაღების დატოვებამ შესაძლოა გამოიწვიოს სხეულის დაზიანება.

- ე) ნუ გადაამეტებთ. დადებით შესაბამის ადგილზე და შეინარჩუნეთ წონასწორობა. აღნიშნული გზით, თქვენ შესძლებთ ელექტრო ინსტრუმენტის უკეთ გაკონტროლებას მოულოდნელ ვითარებაში.
- ი) ჩაიცვით სათანადოდ. ნუ ჩაიცვამთ თავისუფალ ტანსაცმელს და ნუ გაიკეთებთ სამკაულებს. მოარიდეთ თმები, ტანისამოსი და ხელთათმანები მოძრავ ნაწილებს. თავისუფალი ტანისამოსი, სამკაულები ან გრძელი თმა შესაძლოა ჩათრეული იქნას მოძრავი ნაწილების მიერ.
- ე) იმ შემთხვევაში, თუ მოწყობილობები გათვალისწინებულია მტვერსასრუტის ან მტვერსაჭერის მისაერთებლად, დარწმუნდით, რომ შეერთების გამართულობაში და გამოყენების შესაბამისობაში. მტვერსაჭერის გამოყენება მნიშვნელოვნად შეამცირებს მტვერთან დაკავშირებულ საფრთხეებს.
- 4) ელექტრო ინსტრუმენტის გამოყენება და მოვლა
- ა) ნუ დაატანთ ძალას ელექტრო ინსტრუმენტს. გამოიყენეთ თქვენი საქმიანობის სფეროს შესაბამისი ინსტრუმენტი. სწორად შერჩეული ინსტრუმენტი გაგიმარტივებთ მუშაობას და გაცილებით უკეთ და უსაფრთხოდ შეასრულებს იმ სამუშაოს, რომლისთვისაც განკუთვნილია ინსტრუმენტი.
- ბ) ნუ გამოიყენებთ ელექტრო ინსტრუმენტს იმ შემთხვევაში, თუ იგი არ ირთვება ან არ ითიშება ამომრთველის მეშვეობით. ნებისმიერი ელექტრო ინსტრუმენტი, რომლის მართვაც შეუძლებელია ამომრთველის მეშვეობით, საშიშია და საჭიროებს შეკეთებას.
- ც) ნებისმიერი რეგულირების, აქსესუარების გამოცვლის ან ელექტრო ინსტრუმენტის შენახვამდე, ამოართეთ კვების წყაროს და/ან აკუმულატორიანი ბატერიის შტეკერი ელექტრო ინსტრუმენტიდან. აღნიშნული სახის უსაფრთხოების ზომები მნიშვნელოვნად შეამცირებენ ელექტრო ინსტრუმენტის უნებლიედ ჩართვის რისკებს.
- დ) გამორთული ელექტრო ინსტრუმენტები შეინახეთ ბავშვებისთვის მიუწვდომელ ადგილზე და ნუ დაუშვებთ მის გამოყენებას იმ პირების მიერ, რომელთაც არ იციან ინსტრუმენტის მოხმარება ან არ წაუკითხავთ ელექტრო ინსტრუმენტის გამოყენების ინსტრუქციები. ელექტრო ინსტრუმენტები საშიშია მოუმზადებელი მომხმარებლის ხელში.
- ე) ელექტრო ინსტრუმენტის მოვლა. შეამოწმეთ მოძრავი ნაწილების არათანადერძობა, ნაწილების დაზიანება და ნებისმიერი სხვა მდგომარეობა, რამაც შესაძლოა ზეგავლენა მოახდინოს ინსტრუმენტის მუშაობაზე. დაზიანების შემთხვევაში გაარემონტეთ ინსტრუმენტი მის გამოყენებამდე. ბევრი უბედური შემთხვევა გამოწვეულია არასათანადოდ გარემონტებული ელექტრო ინსტრუმენტებით.
- ი) შეინარჩუნეთ მჭრელი ინსტრუმენტები გაღვსილ და სუფთა მდგომარეობაში. მჭრელი პირის მქონე სათანადოდ მოვლილი მჭრელი იარაღები ნაკლებად ექვემდებარებიან გაჭედვას და გაცილებით მარტივია საკონტროლებლად.
- ე) ელექტრო ინსტრუმენტები, აქსესუარები, ინსტრუმენტების საცმები და ა.შ. გამოიყენეთ ინსტრუქციების შესაბამისად, სამუშაო პირობების და შესასრულებელი სამუშაოს გათვალისწინებით.


ელექტრო ინსტრუმენტის არადანიშნულებისამებრ გამოყენებას შესაძლოა შედეგად მოჰყვეს საშიში სიტუაცია.

## 5) მომსახურება

a) თქვენი ელექტრო ინსტრუმენტის ტექნიკური მომსახურების უზრუნველყოფის მიზნით მიმართეთ კვალიფიცირებულ ხელოსანს, რომელიც გამოიყენებს მხოლოდ იდენტურ სათადარიგო ნაწილებს. აღნიშნული გზით უზრუნველყოფილი იქნება ელექტრო ინსტრუმენტის უსაფრთხოება.

## 2. ალმასის სვეტოვანი ბურღთან დაკავშირებული უსაფრთხოების წესები

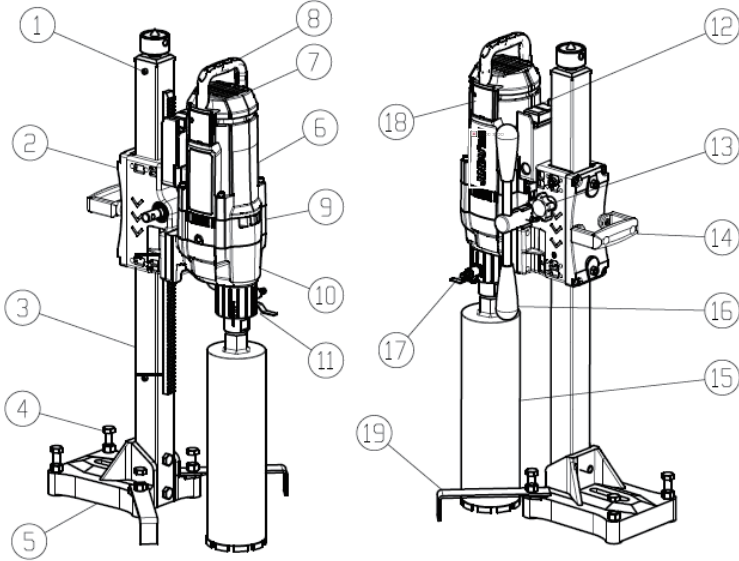
1. დაუშვებელია წინამდებარე მანქანის გამოყენება ზევით მიმართულებით ბურღვა ელექტრო მიზეზების გამო. კედელზე ჰორიზონტალური ბურღვისას, ყუნწიან ჭანჭიკზე დაამაგრეთ უსაფრთხოების სარტყელი.
2. გაითვალისწინეთ სამუშაო გარემო: არ გამოიყენოთ ალმასის სვეტოვანი ბურღი ტენიან ან სველ გარემოში. ნუ დაუშვებთ ალმასის სვეტოვანი ბურღის წვიმაში ექსპლუატაციას. სამუშაო ადგილზე უზრუნველყავით შესაბამისი განათება. კერძოდ, არ უნდა იყოს წარმოდგენილი აალებადი სითხეები ან აირები. ჩვეულებრივ ბრუნვის დროს სერიესული ელექტროძრავი წარმოქმნის ნაკერწყლებს, რაც შესაძლოა გახდეს ხანძრის მიზეზი.
3. გამოყენების დროს ელექტრომოკისგან დაცვის მიზნით აუცილებელია I კლასის ინსტრუმენტების დამიწება. პირველი კლასის ინსტრუმენტები აღჭურვილნი არიან დამტკიცებული სამ-ძარღვიანი ელექტრული სადენით და სამ-კონტაქტიანი დამიწებული შტეფსელიანი შტეკერით, სადენში მწვანე / ყვითელი ძარღვი არის დამიწებული სადენი, სადენის ერთი დაბოლოება მოთავსებულია ინსტრუმენტის გარე კორპუსის დამიწების ნიშანში, ხოლო სადენის მეორე დაბოლოება მიერთებულია დამიწების სადენით შტეკერზე. დაუშვებელია მწვანე / ყვითელი სადენის მიერთება ძაბვის ქვეშ მყოფ ტერმინალზე.

 **გაფრთხილება! როზეტი აღჭურვილი უნდა იყოს დამიწებით, ნუ მოათავსებთ პირველი კლასის ინსტრუმენტებს როზეტში დამიწების გარეშე.**

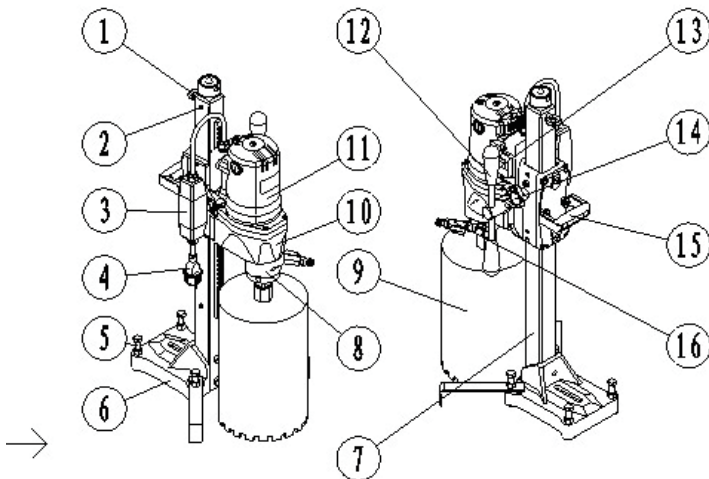
4. ინსტრუმენტის ღია ან დახურულ სივრცეში გამოყენებისას გამოიყენეთ დამაგრძელებელი სადენი, გამოიყენეთ სპეციალური დამაგრძელებელი სადენის დაფა. გამოიყენეთ მხოლოდ სამ-ძარღვიანი სადენი შესაბამისი დამიწებით.
5. მაღალ პოზიციაზე გაუფრთხილდით ქვევითა მიმართულებას, რეკომენდირებულია უსაფრთხოების ღვედი, უსაფრთხოების ჩაფხუტი და სხვა.
6. მოულოდნელი ელექტრომოკის თავიდან აცილების მიზნით, გთხოვთ, მუშაობის დაწყებამდე შეამოწმოთ ელექტროფიცირებული სხეულის დამიწების მდგომარეობა სამუშაო ზონაში. დაუშვებელია ინსტრუმენტის ექსპლუატაცია შეუსაბამო პირობებში, თუ ბურღი შეეხება ელექტროფიცირებულ სხეულს კედელში, იატაკში ან პლინტუსში,

ბურღის ელექტროფიცირებულმა გარე ელექტრო საფარმა შესაძლოა გამოიწვიოს ტრავმა.

7. მაღალ ჭერზე ბურღვის დროს რეკომენდირებულია დამცავი მოწყობილობის გამოყენება, რითაც თავიდან აიცილებთ ქვემოთ მყოფი პირების სვეტური ბურღით ან ქვემოთ მდებარე ქონების დაზიანებას.
8. რბილი მილის მიერთება შიდა დიამეტრით  $\Phi 16$  მმ სარქველის გადამყვანზე.
9. დარწმუნდით, რომ არ არსებობს წყლის გაჟონვა, რათა თავიდან იქნას აცილებული ძრავის დატენიანება სითხის და საცემების გამოყენების დროს.
10. ყოველთვის შეამოწმეთ შლანგები და ინსტრუმენტის სხვა მნიშვნელოვანი ნაწილები, რომლებიც შესაძლოა გამოვიდნენ მწყობრიდან. გადაცემათა კოლოფის საკონტროლო ხვრელიდან წყლის გაჟონვის შემთხვევაში, დაუყოვნებლივ გამორთეთ ინსტრუმენტი და გამოცვალეთ რეზინის მამჭიდრობელი.
11. წყლის მიწოდების მაქსიმალური წნევა შეადგენს  $0.12\text{MPa}$ .
12. **გაფრთხილება!** არასდროს გამოიყენოთ იარაღი წარმოდგენილი RCD გარეშე;
13. სამუშაოს დაწყებამდე შეამოწმეთ სწორად მუშაობს თუ არა RCD: „გადატვირთვის“ დილაკზე დაჭერის შემდგომ აინთება წითელი შუქი; აღნიშნული შუქი გაითიშება „ტესტირების“ დილაკზე დაჭერის შემდგომ; თქვენ შეგიძლიათ მხოლოდ RCD სწორად ფუნქციონირების შემთხვევაში.
14. შტეკერის ან ელექტროსადენის შეცვლა შესაძლებელია განხორციელდეს მხოლოდ ინსტრუმენტის მწარმოებლის ან მისი მომსახურე ორგანიზაციის მიერ.
15. არ დაუშვათ სითხის ინსტრუმენტის დეტალებზე ან სამუშაო ზონაში ადამიანებზე მოხვედრას, რითაც თავიდან აიცილებთ ინსტრუმენტის ელექტრო დანადგარში მოხვედრას და უზრუნველყოფთ თქვენს უსაფრთხოებას. ამაღლებაზე ინსტრუმენტის ექსპლუატაციისას აუცილებლად გამოყენებული უნდა იქნას წყალმემკრები მოწყობილობა.
16.  $Z_{\max}=(0.11+j0.07)\Omega$  აღირიცხება ინსტრუმენტის სახელმძღვანელოში და მომხმარებელს მიეცემა ინსტრუქციები აუცილებლობის შემთხვევაში ელექტროენერჯის მიწოდებულთან ერთად განსაზღვროს ინსტრუმენტის მიერთება მხოლოდ აღნიშნული სრული წინააღობის ან ნაკლების მქონე კვების წყაროზე.



1.გაჩერების დილაკი 2.ამწევი მოწყობილობა 3.სვეტი 4.ნიველირების ჭანჭიკი 5. ფუძე  
 6. ძრავის ხუფი 7. უკანა ხუფი 8.ასაწევი სახელური 9. შუა საფარი 10.გადაცემათა  
 კოლოფი 11. ჰიდროსაკეტის ხუფი 12.ამომრთველი 13. ამწევი ერთეულის გაჩერების  
 დილაკი 14. ამწევი ერთეულის სახელური 15. ბურღის თავაკი 16. მართვის  
 მოწყობილობა 17. წყლის შლანგი 18. ნახშირბადის ჯაგრისის ხუფი 19.გადაღვრის  
 საწინააღმდეგო ფირფიტა



1. ყუნწიანი ჭანჭიკი 2. გაჩერების დილაკი 3. RCD 4. სადენის შტეკერი  
 5. ნიველირების ჭანჭიკი 6. ფუძე 7. სვეტი 8. ჰიდროსაკეტი 9. ბურღის გულარი 10. გადაცემათა კოლოფი 11. ძრავი 12. მიწოდების სახელური  
 13. ამომრთველი 14. ექვსწახნაგა ჭანჭიკი 15. ურიკის ბლოკის სახელური 16. წყალსადენის ონკანი

### 3. პროდუქტის ტექნიკური პარამეტრები

პროდუქტის მოდელი	CT32027	CT32028
ნომინალური ძაბვა (ვ)	230	230
სიხშირე (ჰც)	50	50
ნომინალური სიმძლავრე (ვტ)	3200	2400
გამომავალი სიმძლავრე (ვტ)	2100	1480
სიჩქარე დატვირთვის გარეშე (ბრ/წთ)	750	750
უსაფრთხოების კლასი	I	I
ინსტრუმენტის სუფთა წონა	21	19.7
აღმასის სვეტოვანი ბურღი მაქსიმუმი (მმ)	Φ 260	Φ 205
აღმასის სვეტოვანი ბურღის მიერთებითი კუთხვილი (ინჩი)	1-1/4"	1-1/4"

### 4. საექსპლუატაციო ინსტრუქციები

- ბურღის დამონტაჟების წესი  
 (1) გახსენით შეფუთვა და ამოიღეთ ბურღი. მოუშვით სვეტის და ფუძის შემაერთებელი ხრახნი. მოაბრუნეთ 180 გრადუსით და დაამონტაჟეთ, როგორც ეს ნაჩვენებია სურათზე.
- დამონტაჟება ანკერჭანჭიკით  
 დონე დაარეგულირეთ მარეგულირებელი ჭანჭიკების მეშვეობით. მჭიდროდ მოუჭირეთ ანკერჭანჭიკის ქანჩს.
- როგორ დავამონტაჟოთ ბურღი:  
 ფრთხილად დაამონტაჟეთ აღმასის ბურღი, დაბოლოების კუთხვილი უნდა დაემთხვეს გამომავალი ლილვის დაბოლოებას. დაბოლოების კუთხვილი თავდაპირველად გაპოხილი უნდა იქნას კონსისტენტური საპოხით, ბურღის მჭრელი პირის მოჭერის შემდგომ, ჩართეთ იგი უკმ სვლაზე, და დარწმუნდით, რომ მისი რადიალური მოძრაობა შეესაბამება ზოგად მოთხოვნებს, აღნიშნულის შემდგომ შეგიძლიათ ჩართოთ ბურღი.
- ბურღის ამომრთველში უნდა იყოს მცირე რაოდენობის წყალი.
- გაბურღული ნახვრეტის გახსნა, ხვრელის ბურღვა:

როგორ გავხვიდეთ ხვრელი:

1. მოათავსეთ შტეკერი კვების წყაროში
2. წყლის მიწოდების მიზნით ჩართეთ წყლის ონკანი
3. ჩართეთ გადამრთველი და დაიწყეთ ბურღვა, ურიკის ბლოკის ხელით კვების გზით.
4. ბურღვა განახორციელეთ ნელა, სულ მცირე 5 მმ სიღრმეზე. აღნიშნულის შემდგომ განაგრძეთ ბურღვა კვების სტაბილური სიჩქარით.
5. თუ ბურღვის მიმდინარეობისას აღმოაჩენთ, რომ ბრუნვის სიჩქარე მნიშვნელოვნად შემცირდა, აღნიშნული ნიშნავს იმას, რომ ძრავი გადატვირთულია. დაუყოვნებლივ შეამცირეთ წნევა მანამ, სანამ ძრავი არ დაიწყებს ჩვეული სიჩქარით მუშაობას. რაიმე უჩვეულო სონის, კვამლის ან სხვა უჩვეულო ფენომენის გამოვლენის შემთხვევაში, დაუყოვნებლივ გათიშეთ ინსტრუმენტი ძრავის დაზიანების თავიდან აცილების მიზნით, ინსტრუმენტი მიიტანეთ პროფესიული მომსახურების ადგილზე.

**გაფრთხილება: 1, დარწმუნდით, რომ ბურღვის ძრავის ჰაერის შემშვები არ არის დაბლოკილი. დაბლოკვის შემთხვევაში, აღნიშნულმა შესაძლოა გამოიწვიოს გადახურება და ბურღვის ძრავის დაზიანება.**

**2, წყალმომარაგება მზად არის ბურღვის დასაწყებად. წყლის მიწოდების შეფერხების შემთხვევაში, სვეტური ბურღვის მჭრელ პირთან წარმოიქმნება ჭარბი სიმხურვალე, და შეიძლება აღნიშნული დაზიანდეს. არ გამოიყენოთ განმეორებით დრენაჟის წყალი. აღნიშნულმა შესაძლოა დააზიანოს ბურღვის ძრავის ზეთსაკავი ჩოხალი.**

6. მასალა:

რკინა-ბეტონის ბურღვის დროს, თუ ბურღი შეეხო საარმატურო რკინას, დენი მკვეთრად მოიმატებს, ძრავი დაიწყებს ვიბრირებას და ბურღი გადაიტვირთება, მოცემულ დროს,

ბურღის ძალვა შემცირებული უნდა იქნას სათანადოდ, შედარებით დაბალმა დენმა შესაძლოა უარყოფითი ზემოქმედება მოახდინოს ბურღის სიჩქარეზე და ბურღის მჭრელ პირზე. ბურღში ქვიშის ან ხრემის მოხვედრის შემთხვევაში, ან თუ ბურღი შეეხება საარმატურო რკინას, მოხდება ბურღის მიტაცება, წარმოიქმნება მაღალი ჭარბი დენი, და ქურო დამუხრუჭდება; აღნიშნულ შემთხვევაში გამორთეთ ინსტრუმენტი, ამოიღეთ ბურღის მჭრელი ნაწილი და გაასუფთავეთ ღრეჩოში არსებული მომჭერები, დაელოდეთ დაახლოებით 3 წუთი, ბურღვის მიზნით ჩამრთველის განმეორებით ჩართვამდე დაელოდეთ ბურღის გაგრილებას; ხის, სქელი ღორღიან-ასფალტიანი საფარის ან ასფალტის ტოლის და ა.შ. ბურღვისას, დენი მოიმატებს, ასე რომ ბურღეთ ნელა, თანაბრად და სუსტად. ქუროს მუდმივად დამუხრუჭების შემთხვევაში, გააჩერეთ ბურღი და დაჭიმეთ ქურო.

7. მოხსენით ბურღის გულარი: როდესაც იატაკის ფიცარი, კედელი ან სხვა მასალა თითქმის გაბურღულია, გამოიჩინეთ სიფრთხილე ბურღის სიჩქარის შემცირებისას, რათა თავიდან აიცილოთ ძალდატანებით გაბურღვა. განმეორებით გაბურღვისას რეკომენდირებულია ბურღის გამორთვა, ბურღის გულარის ამოღება და მისი კედლებს გასუფთავება წყლით, ბურბუშელის ამოწმენდის შემდგომ, ფრთხილად დაარტყით ბურღს ხის ჯოხით, ბურღის გულარის მოხსნისას გამოიჩინეთ სიფრთხილე, შემდგომ დააყენეთ ბურღის გულარი და განაგრძეთ მუშაობა.

## 8. ბურღის რყევა

ხვრელის გაბურღვისას. რყევა შესაძლოა გამოიწვიოს არასწორად მორგებულმა კარეტის ბლოკმა და სვეტმა. დაარეგულირეთ შესაბამისი ხრახნი.

9. უზრუნველყავით ძრავის ვენტილაცია და გაგრილება:

ექსპლუატაციის დროს, ძრავის ვენტილირებადი ღარი არ უნდა იყოს დაბინძურებული ჭუჭყით, რითაც თავიდან აიცილებთ ძრავის საექსპლუატაციო ვადაზე მაღალი ტემპერატურის ზემოქმედებას ან გრაგნილის დაწვას.

10. აკრძალულია ექსპლუატაცია წყლის გარეშე:

ექსპლუატაციის დროს, ბურღის მჭრელი ნაწილის ზედაპირზე უნდა მიედინებოდეს წყლის ნაკადი გაგრილების მიზნით, და ჭუჭყი უნდა ჩამოირეცხოს ბურღის მჭრელი ნაწილის და საიზოლაციო საყელურის დაზიანების თავიდან აცილების მიზნით.

11. მოერიდეთ ძრავის დატენიანებას:

ძრავის გარსაცმი მთარაიდეთ წყალს და თავიდან აიცილეთ საიზოლაციო თვისებების შემცირება და ელექტროობის გაჟონვა. მანქანა გამოიყენეთ მხოლოდ ვერტიკალურ პოზიციაში!

## 5. სტრუქტურა, ტექნიკური მახასიათებელი და გამოყენება

წინამდებარე ინსტრუმენტი წარმოადგენს პორტატულ აღმასის სვეტოვან ბურღს, CT32028 წარმოადგენს ერთდაზგიან ინსტრუმენტს, რომელიც შესაფერისია 20-205 მმ აღმასის ბურღის მჭრელი ნაწილისთვის, CT32027 წარმოადგენს ერთდაზგიან ინსტრუმენტს, რომელიც შესაფერისია 20-260 მმ აღმასის ბურღის მჭრელი ნაწილისთვის - წარმოადგენს პირველი კლასის მოხსნად ელექტრო ინსტრუმენტს, მაღალი ხარისხის სპეციალური ფოლადის გადაცემათა კოლოფის გარდა, მას აგრეთვე გააჩნია შემცირების კოლოფში ჩამონტაჟებული გადატვირთვის საწინააღმდეგო მექანიზმი, მაღალ სიჩქარიანი დიდი სიმძლავრის აგუნების მანქანის გამოყენება მძლავრი აღმასის ბურღის მჭრელი პირით. რომელსაც შეუძლია გაბურღოს რკინა-ბეტონი, აგური და ქვა, ფაქტიურად ბურღი გამოდგენა ნებისმიერი სამშენებლო მასალის საბურღად ნებისმიერი კუთხით. მას გააჩნია ისეთი მახასიათებლები, როგორცაა ფხვნილის, რყევის არარსებობა, ხმაურის დაბალი დონე, მაღალი სიმძლავრე, ხანგრძლივი საექსპლუატაციო ვადა და სიზუსტე.

## 6. საექსპლუატაციო მომსახურება

1) ბურღთან დაკავშირებული პრობლემების წარმოქმნის შემთხვევაში გადააგზავნეთ იგი მომსახურების ავტორიზებულ ცენტრში. აკრძალულია მისი დაშლა ან ნაწილების შეცვლა თვითნებურად.

2) პერიოდულად შეამოწმეთ ელექტრო ჯაგრისი და კომუტატორი, დაახლოებით 7 მმ სიგრძეზე ჯაგრისის ცვეთის შემთხვევაში, აღნიშნული ექვემდებარება გამოცვლას. გამოიყენეთ მხოლოდ ორიგინალი ნაწილები, წინააღმდეგ შემთხვევაში შესაძლოა დაზიანდეს კომუტატორი; ორივე ჯაგრისის გამოცვლა უნდა მოხდეს ერთდროულად. ექსპლუატაციის დროს ძლიერი ნაპერწკლის აღმოჩენის ან კომუტატორის სერიოზული ცვეთის ან დაწვის შემთხვევაში, რეკომენდირებულია კომუტატორის შემოწმება და შეკეთება, ან ახალი როტორის დამონტაჟება.

3) პერიოდულად შეამოწმეთ და შეაკეთეთ ბურღი ხანგრძლივად გამოყენების შემდგომ. აღნიშნული შემოწმების ძირითადი ელემენტებია: გამართულია თუ არა მისი ელექტროსადენი, სანდოა თუ არა დამიწება, რამდენად გამართულად მუშაობს შიდა სადენი, ამომრთველი და შტეკერი, დაჭერილია თუ არა ხრახნები, რეკომენდირებულია საპოხი ზეთის და გაცვეთილი ნაწილების შეცვლა და ა.შ.

4) დროულად შეცვალეთ რეზინის შემჭიდროება. ხანგრძლივი გამოყენების შემდგომ ბურღის ზედა ნაწილზე წყლის დადინების აღმოჩენის შემთხვევაში, დაუყოვნებლივ შეამოწმეთ და გამოცვალეთ რეზინის შემჭიდროება. გადაცემის კოლოფის კორპუსში მოთავსებული გადაცემისთვის შესაძლოა საპოხი ზეთის გამოყენება, შუალედური ხუფის საპაერო არხში საპოხი ზეთის შეღწევისას გამოცვალეთ როტორის შპინდელის რეზინის შემჭიდროება. სპეციალური საპოხი ზეთის მარკა - 110# ტრანსმისიის ზეთი. დაუშვებელია ძრავის ჩვეულებრივი ზეთის გამოყენება.

5) შეინახეთ ბურღი სუფთა და მშრალ მდგომარეობაში; გაასუფთავეთ ბურღი და შეინახეთ სუფთა და მშრალ ადგილზე, დაშალეთ ბურღის პირი, ბურღის ამძრავი ლილვი და ბურღის კუთხვილის დამაკავშირებელი ნაწილები გაპოხეთ კონსისტენტური პლასტიკური საპოხით შემდგომი დაცვის მიზნით.

6) დაარეგულირეთ დამცავი ქურო (როდესაც აღმოაჩენთ, რომ ქუროს ხახუნი შემცირებულია)

## **გარემოს დაცვა და გარანტია**

### **გარემოს დაცვა**



ელექტრო პროდუქციის უტილიზაცია დაუშვებელია საყოფაცხოვრებო ნარჩენებთან ერთად. გთხოვთ, გადაყაროთ შესაბამისი დანადგარების არსებობის შემთხვევაში. ნარჩენების გადამუშავებასთან დაკავშირებით დაუკავშირდით ადგილობრივი მმართველობის ორგანოებს ან საცალო მოვაჭრეს.

## **7. პრობლემების გადაწყვეტა გამოყენების დროს**

პრობლემები	შესაძლო მიზეზები	გადაწყვეტა
კვების წყაროში	1. კვების წყარო გამართულია 2. ჩართულია ამომრთველის	1. შეამოწმეთ და ჩართეთ კვების წყარო

<p>ჩართვისას ძრავი არ მუშაობს</p>	<p>გამითიში 3.ჯაგრისის ხარვეზიანი კონტაქტი ან გახარჯვა 4.სტატორის ან როტორის გრაგნილის დაზიანება</p>	<p>2. შეამოწმეთ და შეაკეთეთ ამომრთველი ან შეცვალეთ არასწორი ან ცუდი კონტაქტის მქონე ამომრთველი. 3. გამოცვალეთ ელექტრო ჯაგრისი 4. შეამოწმეთ ან გამოცვალეთ სტატორის ან როტორის გრაგნილი.</p>
<p>ძრავის კომპუტატორზე ძლიერი ნაპერწკლის ან რგოლური ნაპერწკლის წარმოქმნა</p>	<p>1. როტორის გრაგნილს აქვს მოკლე ჩართვა ან ღია წრედი 2. ჯაგრისის ზამზარა გადაადგილებულია 3. კომპუტატორი გაცვეთილია</p>	<p>1. შეაკეთეთ ან გამოცვალეთ როტორი. 2. დაარეგულირეთ ზამზარის წნევა 3. გამოცვალეთ როტორი ახლით</p>
<p>ბურღი ვიბრირებს</p>	<p>1. ფიქსირებული ფუძე მოშვებულია 2. ამწე კორპუსს და კვადრატულ ლარტყას შორის გადიდებულია ღრეჩო 3. ამწე კორპუსი და მაკავშირებელი ჭანჭიკები მოშვებულია</p>	<p>1. თავიდან ააწყვეთ და დაამაგრეთ ჩარჩო 2. დაარეგულირეთ ღრეჩო 3. შეამოწმეთ ხრახნები</p>
<p>ბურღის სიჩქარე შემცირებულია</p>	<p>1. ბურღის მჭრელი ნაწილი გაცვეთილია 2. ჭერის დაბალი ხარისხი, ღრეჩოებს აღენიშნებათ მარცვლოვნება და ამოტეხილი ნაწილები 3. ბურღის ვიბრაცია 4. ქანჩები ხახუნის დამცავზე</p>	<p>1. შეაკეთეთ ან გამოცვალეთ ბურღის მჭრელი ნაწილი 2. გააჩერეთ ბურღი, მოაშორეთ უცხო სხეულები ღრეჩოდან 3. დაარეგულირეთ და დაუჭირეთ მომჭერი ხრახნი 4. მოუჭირეთ ქუროს მოშვებულ ხრახნებს</p>



**ПРЕДУПРЕЖДЕНИЕ** - Чтобы снизить риск получения травмы, пользователь должен прочитать руководство по эксплуатации.

## 1. Общие предупреждения о безопасности электроинструмента

**ПРЕДУПРЕЖДЕНИЕ:** Прочтите все предупреждения по технике безопасности и все инструкции. Несоблюдение предупреждений и инструкций может привести к поражению электрическим током, возгоранию и/или серьезной травме.

**Сохраните все предупреждения и инструкции для дальнейшего использования.**

Термин «электроинструмент» в предупреждениях относится к вашему электроинструменту, работающему от сети (проводной), или к электроинструменту, работающему от аккумулятора (беспроводной).

### 1) Безопасность рабочей зоны

- a) **Держите рабочее место чистым и хорошо освещенным.** Загроможденные или темные участки провоцируют несчастные случаи.
- b) **Не используйте электроинструменты во взрывоопасных средах, например, в присутствии легковоспламеняющихся жидкостей, газов или пыли.** Электроинструменты создают искры, которые могут воспламенить пыль или пары.
- c) **Не допускаете детей и посторонних лиц во время работы с электроинструментом.** Отвлечения могут привести к тому, что вы потеряете контроль.

### 2) Электробезопасность

- a) **Штепселя электроинструмента должны соответствовать розетке.** Ни в коем случае не модифицируете штепсель. Не используете переходные штепселя с заземленными (заземленными) электроинструментами. Не модифицированные штепселя и соответствующие розетки снижают риск поражения электрическим током.
- b) **Избегаете контакта тела с заземленными или заземленными поверхностями, такими как трубы, радиаторы, плиты и холодильники.** Существует повышенный риск поражения электрическим током, если ваше тело заземлено или заземлено.
- c) **Не подвергаете электроинструменты воздействию дождя или влаги.** Попадание воды в

*электроинструмент повышает риск поражения электрическим током.*

**d) Не злоупотребляете шнуром. Никогда не используете шнур для переноски, вытягивания или отключения электроинструмента. Держите шнур вдали от источников тепла, масла, острых краев или движущихся частей. Поврежденные или запутанные шнуры увеличивают риск поражения электрическим током.**

**e) При работе с электроинструментом на открытом воздухе используете удлинитель, подходящий для использования вне помещений. Использование шнура, пригодного для использования вне помещений, снижает риск поражения электрическим током.**

**f) Если работа с электроинструментом во влажном месте неизбежна, используете источник питания, защищенный устройством защитного отключения (УЗО). Использование УЗО снижает риск поражения электрическим током.**

### **3) Личная безопасность**

**a) Будьте бдительны, следите за своими действиями и руководствуйтесь здравым смыслом при работе с электроинструментом. Не используете электроинструмент, если вы устали или находитесь под воздействием наркотиков, алкоголя или лекарств. Момент невнимательности при работе с электроинструментом может привести к серьезной травме.**

**b) Используйте средства индивидуальной защиты. Всегда надеваете защитные очки. Защитное снаряжение, такое как пылезащитная маска, нескользящая защитная обувь, каска или средства защиты органов слуха, используемые в соответствующих условиях, уменьшат количество травм.**

**c) Предотвращение непреднамеренного запуска. Перед подключением к источнику питания и/или аккумулятору, поднятием или переноской инструмента подтвердите, что переключатель находится в выключенном положении.**

*Переноска электроинструментов с пальцем на выключателе или подача питания на электроинструменты с включенным выключателем может привести к несчастным случаям.*

**d) Удалите любой регулировочный ключ или гаечный ключ перед включением электроинструмента. Гаечный ключ или ключ, оставленные прикрепленными к вращающейся части электроинструмента, могут привести к травме.**

**e) Не переусердствуете. Всегда держите правильную опору и баланс. Это позволяет лучше контролировать электроинструмент в непредвиденных ситуациях.**

**f) Оденьтесь правильно. Не носите свободную одежду или украшения. Держите волосы, одежду и перчатки подальше от движущихся частей. Свободная одежда, украшения или длинные волосы могут попасть в движущиеся части.**

**g) Если предусмотрены устройства для подключения устройств для удаления и сбора пыли,**

подтвердите, что они подключены и используются надлежащим образом. *Использование пылесборника может снизить опасность, связанную с пылью.*

#### 4) Использование электроинструмента и уход за ним

а) **Не применяете силу к электроинструменту. Используйте правильный электроинструмент для вашего применения.** *Правильный электроинструмент сделает работу лучше и безопаснее с той скоростью, для которой он был разработан.*

б) **Не используйте электроинструмент, если переключатель не включает и не выключает его.** *Любой электроинструмент, которым нельзя управлять с помощью выключателя, опасен и подлежит ремонту.*

с) **Отсоединяете штепсель от источника питания и/или аккумулятор от электроинструмента перед выполнением каких-либо регулировок, заменой принадлежностей или хранением электроинструмента.** *Такие превентивные меры безопасности снижают риск случайного включения электроинструмента.*

д) **Храните неиспользуемые электроинструменты в недоступном для детей месте и не позволяете лицам, не знакомым с электроинструментом или данными инструкциями, работать с электроинструментом.**

*Электроинструменты опасны в руках неподготовленных пользователей.*

е) **Поддерживаете электроинструменты. Проверьте наличие смещения или заедания движущихся частей, поломки деталей и любых других условий, которые могут повлиять на работу электроинструмента. В случае повреждения отремонтируете электроинструмент перед использованием.** *Многие несчастные случаи происходят из-за плохого обслуживания электроинструментов.*


ф) **Держите режущие инструменты острыми и чистыми.** *Правильно обслуживаемые режущие инструменты с острыми режущими кромками с меньшей вероятностью заедают и ими легче управлять.*

г) **Используете электроинструмент, принадлежности, насадки и т. д. в соответствии с настоящей инструкцией, принимая во внимание условия работы и выполняемую работу.** *Использование электроинструмента для операций, отличных от предусмотренных, может привести к возникновению опасной ситуации.*

#### 5) Техническое обслуживание

а) **Доверьте техническое обслуживание электроинструмента квалифицированному специалисту с использованием только идентичных запасных частей.** *Это обеспечит безопасность электроинструмента.*

## 2. Предупреждения по технике безопасности при работе с алмазным колонковым буром

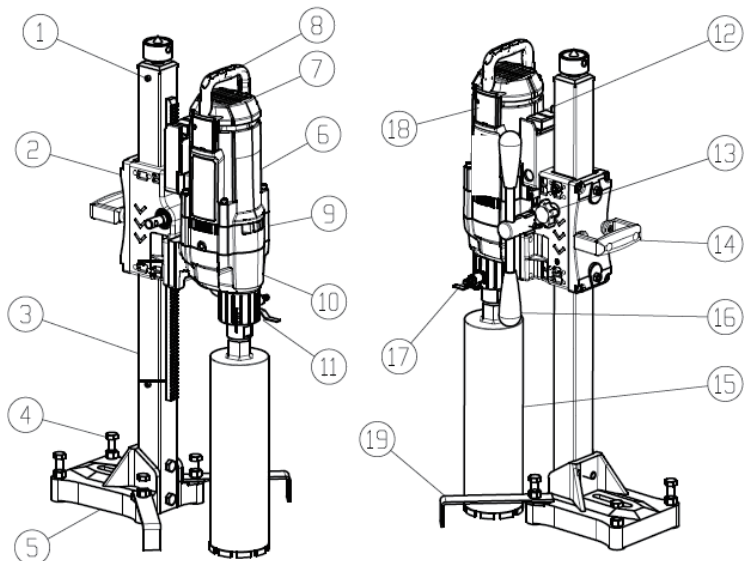
1. Настоящий инструмент нельзя использовать для сверления вверх по электрическим причинам. При горизонтальном сверлении в стене закрепите ремень безопасности на рым-болте.
2. Учитываете условия рабочей зоны: Не используете алмазную коронку во влажных или мокрых местах. Не подвергаете алмазную коронку воздействию дождя. Держите рабочее место хорошо освещенным. В частности, не должно быть горючих жидкостей или газов. Серийный двигатель образует искры при нормальном вращении, искры могут стать причиной возгорания.
3. Заземление инструментов класса I необходимо во время использования для защиты от поражения электрическим током, инструменты класса I оснащены утвержденным трехжильным шнуром и трехконтактным штепселем с заземлением, зелено-желтая жила в шнуре является заземляющим проводом, один конец провода находится в заземляющем знаке внешней оболочки инструмента, другой конец провода соединяется с заземляющим проводом штепселя. Никогда не подключаете зелено-желтый провод к клемме под напряжением.
4.  **Предупреждение! Розетка должна быть оснащена заземлением, не вставляете инструменты класса I в розетку без заземления.**
5. Используете удлинители, когда инструмент используется на улице или в помещении, используете специальную плату для удлинителей. Используете только трехжильный шнур и с надежным заземлением.
6. Следите за направлением вниз в верхнем положении, рекомендуется использовать ремень безопасности, защитный колпачок и т. д.
7. Во избежание непреднамеренного поражения электрическим током, проверьте состояние заземления наэлектризованного тела в рабочей зоне перед началом работы, запрещается эксплуатировать инструмент в неопределенных условиях, когда сверло коснулось наэлектризованного тела в стене, половине или плинтусе, наэлектризованный внешний корпус дрели может привести к травмам.
8. При сверлении на высоких потолках рекомендуется использовать защитное оборудование, чтобы сверло не травмировало людей внизу или не повредило имущество внизу.
9. Подсоединение мягкой трубы с внутренним диаметром Ф16 мм к переходнику клапана.
10. Подтвердите, что не существует утечка воды, чтобы она не заглушала двигатель при использовании жидкости и насадок.
11. Обычно осматриваете шланги и другие важные части инструмента, которые могут

испортиться;

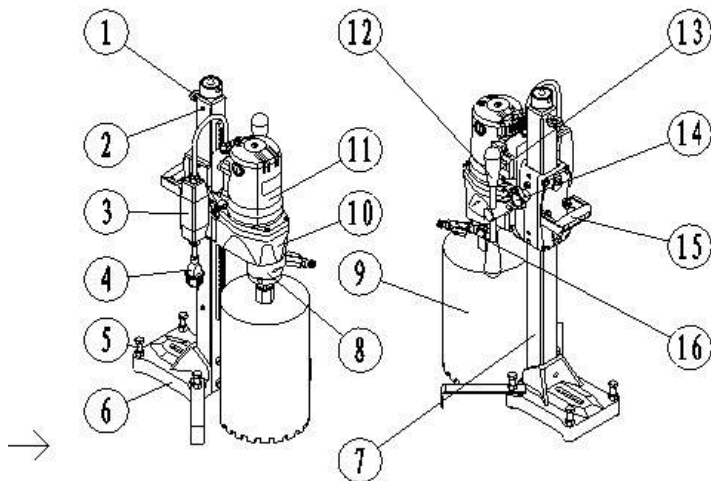
При появлении течи воды из контрольного отверстия коробки передач необходимо немедленно выключить инструмент и заменить резиновое уплотнение.

12. Максимально допустимое давление подачи жидкости 0,12 МПа;
13. Предупреждение! Никогда не используете инструмент без предусмотренного УЗО;
14. Перед началом работы необходимо проверить правильность работы УЗО: после нажатия кнопки «СБРОС» загорится красная лампочка; и свет погаснет после нажатия кнопки «ТЕСТ»; Вы можете работать с инструментом только тогда, когда УЗО может работать правильно.
15. Замена штепселя или шнура питания всегда должна производиться изготовителем инструмента или его сервисной организацией;
16. Держите жидкость подальше от частей инструмента и вдали от людей в рабочей зоне, чтобы вода не могла попасть в электронное оборудование инструмента и обеспечить вашу безопасность. Необходимо использовать водосборный набор, когда машина работает с возвышением.
17.  $Z_{\max} = (0,11 + j0,07)$  Ом будет указано в руководстве по эксплуатации оборудования, и пользователь будет проинструктирован определить, при необходимости, проконсультировавшись с поставщиком, что оборудование подключено только к источнику питания с таким импедансом или меньше.

СТ32027



1.Стопорная ручка 2.Подъемный блок 3.Колонна 4.Установочный болт 5.Основание  
 6.Крышка двигателя 7.Задняя крышка 8.Ручка подъема 9.Средняя крышка 10.Редуктор  
 11.Крышка гидрозатвора 12.Переключатель 13.Подъемный блок стопорная ручка 14.  
 Ручка подъемного устройства 15. Буровая коронка 16. Контроллер 17. Водяной шланг 18.  
 Крышка угольной щетки 19. Пластина против опрокидывания



1. Болт с проушиной 2. Ручка упора 3. УЗО 4. Заглушка кабеля 5. Регулировочный болт 6.  
 Основание 7. Колонна 8. Гидрозатвор 9. Коронка 10. Редуктор 11. Двигатель 12. Ручка  
 подачи 13. Переключатель 14. Шестигранный болт 15.Ручка каретки 16.Водяной кран

### 3. Технические параметры продукта

Модель продукта	СТ32027	СТ32028
Номинальное напряжение (В)	230	230
Частота (Гц)	50	50
Номинальная мощность (Вт)	3200	2400
Выходная мощность (Вт)	2100	1480
Скорость без нагрузки (об/мин)	750	750
Тип безопасности	I	I
Вес нетто инструмента	21	19.7
Максимальное алмазное сверло (мм)	Φ260	Φ205
Соединительная резьба алмазного бурения (дюймы)	1-1/4"	1-1/4"

## 4. ИНСТРУКЦИЯ ПО ОБРАЩЕНИЮ

### 1. Как установить дрель

(1) Откройте упаковку и достаньте дрель. Ослабьте болт, соединяющий колонку и основание. Поверните на 180 градусов и установите, как показано на рисунке.

### 2. Установка анкерным болтом

Отрегулируете уровень с помощью выравнивающих болтов.

Плотно затяните гайку анкерного болта

### 3. Как установить бит:

Аккуратно устанавливаете алмазную коронку, конечная резьба должна совпадать с концевым выходным валом. Концевую резьбу сначала следует смазать смазкой, после затяжки сверла дать ему поработать на холостом ходу, подтвердить, что его радиальное движение соответствует общему требованию, после чего можно работать со сверлом.

4. В водяном переключателе дрели должно быть немного воды.

### 5. Вскрытие скважины, бурение скважины:

Как просверлить отверстие:

1. Вставьте штепсель в розетку.

2. Поверните водяной кран, чтобы подать воду.

3. Включите переключатель и начните сверление, подавая блок каретки вручную.

4. Медленно просверлите до глубины не менее 5 мм, затем продолжите сверление со стабильной скоростью подачи.

5. Во время бурения, если вы обнаружите, что скорость вращения значительно снижается, это указывает на то, что двигатель перегружен. Вам следует немедленно уменьшить давление, пока двигатель не начнет вращаться с исходной скоростью. Если вы заметите какой-либо необычный запах, дым или любой другой необычный явление, немедленно остановите машину, чтобы избежать повреждения двигателя, вы должны отправить его на профессиональные сайты технического обслуживания.

**Внимание: 1. Подтвердите, что воздухозаборник двигателя дрели ничем не заблокирован. Если он заблокирован, это может привести к**

перегреву и повреждению двигателя дрели.

**2. подача воды готова к началу бурения. Если вода не подается, на режущей кромке бурового долота выделяется чрезмерное количество тепла, что может привести к его повреждению. НЕ используете повторно воду из дренажа. Это может повредить сальник в двигателе бурильной машины.**

6. Материал:

При сверлении армированного бетона, если сверло коснулось арматурного стального стержня, ток резко увеличится, двигатель завибрирует и сверло перегрузится, в это время усилие сверления должно быть уменьшено должным образом, более низкий ток может иметь плохо влияет на скорость сверления и сверло. Если песок, гравий попадет в сверло или сверло коснется арматурного стального стержня, сверло будет захвачено, произошел более высокий избыточный ток, и сцепление занесло, здесь, выключите инструмент, удалите сверло и очистите зажимы в зазоре, подождите около 3 минут, дайте сверлу остыть, прежде чем перезапустить переключатель, чтобы продолжить сверление, при сверлении дерева, толстого асфальта и асфальта и т. д. его ток будет увеличен, поэтому сверлите медленно, равномерно и немного. Если сцепление постоянно буксует, остановите дрель и снова затяните сцепление.

7. Удалить керн:

Когда сверло почти просверливает поперечную доску, стену и т. д., будьте осторожны, уменьшая скорость сверления, чтобы избежать принудительного сверления. При повторном сверлении выключите инструмент, извлеките сверло и очистите его стенку водой, после очистки стружки слегка ударьте по сверлу деревянной палочкой, будьте осторожны при удалении керна и повреждении сверла, затем установите бурение продолжать работу.

8. Встряска дрели

При сверлении отверстия сотрясение может быть вызвано неправильной посадкой каретки и стойки. Отрегулируете соответствующий винт.

9. Проветриваете двигатель и охлаждаете его:

Во время работы вентилируемая выемка двигателя не должна забиваться грязью, чтобы высокая температура не повлияла на срок службы двигателя и не сожгла обмотку.

10. Безводная работа запрещена:

Во время работы на поверхность бурового долота должно поступать много воды для охлаждения, а буровой раствор можно вымыть, чтобы не повредить буровое долото и уплотнительную шайбу.

11. Избегаете демпфирования двигателя:

Держите корпус двигателя подальше от воды, чтобы избежать снижения его изоляционных характеристик или утечки электричества. Используйте машину только вертикально вниз!

## **5. СТРУКТУРА, ХАРАКТЕРИСТИКИ И ИСПОЛЬЗОВАНИЕ**

Настоящий инструмент представляет собой портативную алмазную коронку, СТ32028 представляет собой одиночный станок, который подходит для алмазного бурового долота 20-205 мм, СТ32027 представляет собой одиночный станок, который подходит для алмазного бурового долота 20-260 мм. Это съемный электроинструмент класса I, за исключением хороших шестерня из качественной легированной стали для привода также имеет механизм защиты от перегрузки, установленный в редукторной коробке, высокоскоростная машина серии большой мощности с мощным алмазным сердечником. Которые могут сверлить железобетон, кирпич и камень, ведь сверла подходят для сверления любых строительных материалов под любым углом. Он обладает преимуществом отсутствия порошка, отсутствия тряски, низкого уровня шума, высокой мощности, длительного срока службы и точности.

## **6. ТЕХНИЧЕСКОЕ ОБСЛУЖИВАНИЕ**

- 1) Если у дрели возникли проблемы, отправьте ее в авторизованный сервисный центр. Категорически не разрешается демонтировать или заменять детали по выбору.
- 2) Периодически проверяете электрическую щетку и коллектор, когда щетки изношены на длину около 7 мм, их необходимо заменить. Используйте только оригинальные, в противном случае коллектор может быть поврежден, обе щетки необходимо

менять одновременно. Если вы обнаружите сильное искрообразование во время работы или коллектор сильно изношен или сгорел, проверьте и отремонтируете коллектор или замените ротор новым.

- 3) Дрель следует периодически проверять и ремонтировать после длительного использования. Его основные элементы: исправен ли электрический провод, надежно ли заземление, хорошо ли работает внутренний провод, выключатель и штепсель, безопасно ли сопротивление изоляции двигателя, короткое замыкание статора и ротора. цепь или нет, болты ослаблены или нет, замените смазочное масло и изнашиваемые детали и т. д.
- 4) Своевременно заменяете резиновую уплотнительную шайбу. После длительного использования, если вы обнаружите, что вода поступает в верхнюю часть сверла, немедленно проверьте и замените уплотнительную шайбу. Шестерня в коробке передач может использовать смазочное масло. Если вы обнаружите, что некоторое количество смазочного масла проникает в воздушный порт средней крышки, замените резиновое уплотнительное маслоуплотнительное кольцо на шпинделе ротора. Марка специального смазочного масла — индустриальное трансмиссионное масло 110#. Не допускается использование обычного моторного масла.
- 5) Содержите сверло в чистоте и сухости. Если оно не используется, очистите сверло, и оно должно храниться в сухом, чистом месте, демонтируете сверло, главный вал сверла и соединительные части резьбы сверла должны быть смазаны небольшим количеством смазки, чтобы как защитить их.
- 6) Отрегулируете предохранительную муфту (когда вы обнаружите, что трение муфты стало слишком маленьким).

## Защита окружающей среды и гарантия

---

### Защита окружающей среды



Отработанные электротехнические изделия нельзя утилизировать вместе с бытовыми отходами. Утилизируете там, где это возможно. Обратитесь в местные органы власти или к продавцу за советом по утилизации.

## 7. РЕШЕНИЕ ПРОБЛЕМ ВО ВРЕМЯ ИСПОЛЬЗОВАНИЯ

Проблемы	Возможные причины	Решение
Двигатель не работает при подключении питания	<ol style="list-style-type: none"> <li>1. Питание отключено</li> <li>2. Выключать дробилки позиционируется</li> <li>3. Щетка плохо контактирует или изнашивается</li> <li>4. Обмотка цепи статора и ротора разомкнута</li> </ol>	<ol style="list-style-type: none"> <li>1. Проверить и подключить питание</li> <li>2. Проверьте и отремонтируете выключатель или замените неправильно или с плохим контактом выключатель</li> <li>3. Заменить электрическую щетку</li> <li>4. Проверить или заменить статор и ротор на обрыв цепи.</li> </ol>
Сильные искры и кольцевые искры на коммутаторе двигателя	<ol style="list-style-type: none"> <li>1. Обмотка ротора находится в коротком замыкании или обрыве цепи</li> <li>2. Пружина щетки установлена неправильно или плохо прилегает</li> <li>3. Коммутатор сильно изношен</li> </ol>	<ol style="list-style-type: none"> <li>1. Отремонтировать или заменить ротор.</li> <li>2. Отрегулировать давление пружины</li> <li>3. Заменить новый ротор</li> </ol>
Дрель вибрировала	<ol style="list-style-type: none"> <li>1. Основание закреплено ослаблено</li> <li>2. Зазор между подъемным кузовом и квадратной стойкой увеличен</li> <li>3. Подъемный кузов и соединительные болты ослаблены</li> </ol>	<ol style="list-style-type: none"> <li>1. Собрать и закрепить раму</li> <li>2. Отрегулировать зазор</li> <li>3. Контролировать болт</li> </ol>
Скорость сверления Медленная	<ol style="list-style-type: none"> <li>1. Сверло изношено</li> <li>2. Качество заливки потолка плохое, в зазорах существуют крупка или сколы</li> <li>3. Дрель вибрировала</li> <li>4. Гайки на предохранительном фрикционе</li> </ol>	<ol style="list-style-type: none"> <li>1. Отремонтировать или заменить сверло</li> <li>2. Остановить сверло, удалить посторонние предметы из зазора.</li> <li>3. Отрегулировать и затянуть соединительный болт.</li> <li>4. Гайки стяжки муфты ослаблены</li> </ol>