

# HITACHI

**Disc Grinder**

**Winkelschleifer**

**Γωνιακός τροχός λειάνσεως / κοπήζ**

**Szlifierka kątowa**

**Sarokcsiszoló**

**Úhlová bruska**

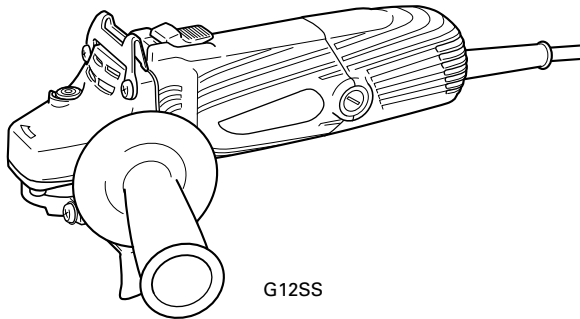
**Taşlama**

**Polizor unghiular**

**Kotni brusilnik**

**Угловая шлифовальная машина**

**G 10SS · G 12SS · G 13SS**



G12SS

Read through carefully and understand these instructions before use.

Diese Anleitung vor Benutzung des Werkzeugs sorgfältig durchlesen und verstehen.

Διαβάστε προσεκτικά και κατανοήστε αυτές τις οδηγίες πριν τη χρήση.

Przed użytkowaniem należy dokładnie przeczytać niniejszą instrukcję i zrozumieć jej treść.

Használat előtt olvassa el figyelmesen a használati utasítást.

Před použitím si pečlivě přečtěte tento návod a ujistěte se, že mu dobře rozumíte.

Aleti kullanmadan önce bu kılavuzu iyice okuyun ve talimatları anlayın.

Înainte de utilizare, citiți cu atenție și înțelegeți prezentele instrucțiuni.

Pred uporabo natančno preberite in razumite ta navodila.

Внимательно прочтите данную инструкцию по эксплуатации прежде чем пользоваться инструментом.



**Handling instructions**

**Bedienungsanleitung**

**Οδηγίες χειρισμού**

**Instrukcja obsługi**

**Kezelési utasítás**

**Návod k obsluze**

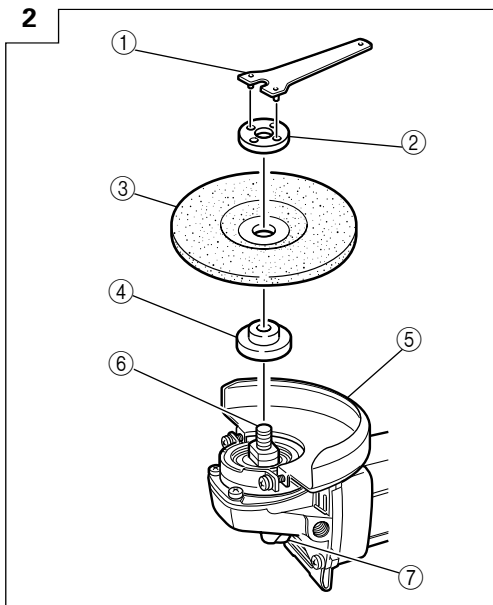
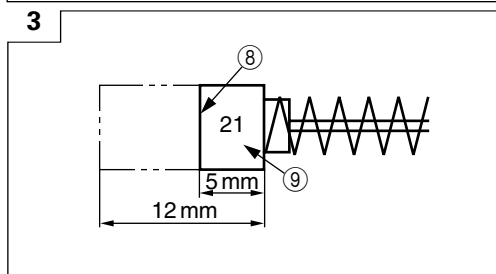
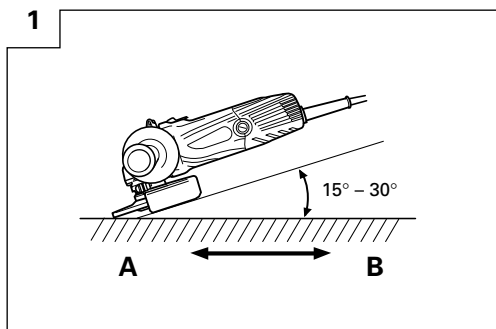
**Kullanım talimatları**

**Instrucțiuni de utilizare**

**Navodila za rokovanje**







**Инструкция по эксплуатации**

**Hitachi Koki**



	English	Deutsch	Ελληνικά	Polski	Magyar
①	Wrench	Schlüssel	Κλειδί	Klucz	Csavar kulcs
②	Wheel nut	Mutter für die Schleifscheibe	Παξιμάδι τροχού	Nakrętka tarczy	Tárcsarögzítő anya
③	Depressed center wheel	Schleifscheibe	Χαμηλωμένος κεντρικά τροχός	Obniżona tarcza środkowa	Sülyesztett közepű tárcsa
④	Wheel washer	Unterlegscheibe	Ροδέλλα τροχού	Podkładka tarczy	Tárcsa alátét
⑤	Wheel guard	Schutzhaube	Προφυλακτήρας τροχού	Osłona tarczy	Tárcsavédő
⑥	Spindle	Spindel	Άξονας	Wrzeciono	Tengely
⑦	Push button	Druckknopf	Κουμπί ώθησης	Przycisk	Nyomógomb
⑧	Wear limit	Verschleißgrenze	Όριο φθοράς	Granica zużycia	Kopási határ
⑨	No. of carbon brush	Nr. der Kohlebürste	Αρ. Καρβουνακίων	Numer szczotki węglowej	Szénkefe száma

	Čeština	Türkçe	Română	Slovenščina	Русский
①	Klíč	Anahtar	Cheie	Ključ	Гаечный ключ
②	Matka kotouče	Disk somunu	Piuliță pentru disc	Pesto kolesa	Гайка шлифовального круга
③	Brusný kotouč	Tek taraflı oyuk taşlama diskisi	Disc cu centru depresat	Pritisnjeno osrednje kolo	Шлифовальный круг с утопленным центром/тárcsa
④	Podložka kotouče	Disk pulu	Șaibă pentru disc	Blažilec kolesa	Шайба шлифовального круга
⑤	Kryt kotouče	Disk muhafazası	Apărătoare pentru disc	Varovalo kolesa	Защитное приспособление шлифовального круга
⑥	Hřídel	Mill	Ax	Gred	Шпиндель
⑦	Tlačítko	Kilit iğnesi	Buton	Tipka	Нажимная кнопка
⑧	Mez opotřebení	Aşınma sınırı	Limită de uzură	Meja obrabe	Предел износа
⑨	Číslo uhlíkového kartáčku	Kömür tanımlama sayısı	Numărul perilor de cărbune	Št. ogljikove ščetke	№ угольной щетки

	<b>Symbols</b> <b>⚠ WARNING</b> The following show symbols used for the machine. Be sure that you understand their meaning before use.	<b>Symbole</b> <b>⚠ WARNUNG</b> Die folgenden Symbole werden für diese Maschine verwendet. Achten Sie darauf, diese vor der Verwendung zu verstehen.	<b>Σύμβολα</b> <b>⚠ ΠΡΟΣΟΧΗ</b> Τα παρακάτω δείχνουν τα σύμβολα που χρησιμοποιούνται στο μηχάνημα. Βεβαιωθείτε ότι κατανοείτε τη σημασία τους πριν τη χρήση.	<b>Symbole</b> <b>⚠ OSTRZEŻENIE</b> Następujące oznaczenia to symbole używane w instrukcji obsługi maszyny. Upewnij się, że rozumiesz ich znaczenie zanim użyjesz narzędzia.	<b>Jelölések</b> <b>⚠ FIGYELEM</b> Az alábbiakban a géphez alkalmazott jelölések vannak felsorolva. A gép használatá előtt feltétlenül ismerje meg ezeket a jelöléseket.
	<b>Read all safety warnings and all instructions.</b> Failure to follow the warnings and instructions may result in electric shock, fire and/or serious injury.	<b>Lesen Sie sämtliche Sicherheitshinweise und Anweisungen durch</b> Wenn die Warnungen und Anweisungen nicht befolgt werden, kann es zu Stromschlag, Brand und/oder ernsthaften Verletzungen kommen.	<b>Διαβάστε όλες τις προειδοποιήσεις ασφαλείας και όλες τις οδηγίες.</b> Η μη τήρηση των προειδοποιήσεων και οδηγιών μπορεί να προκαλέσει ηλεκτροπληξία, πυρκαγιά και/ή σοβαρό τραυματισμό.	<b>Należy dokładnie zapoznać się ze wszystkimi ostrzeżeniami i wskazówkami bezpieczeństwa.</b> Nieprzestrzeganie ostrzeżeń oraz wskazówek bezpieczeństwa może spowodować porażenie prądem elektrycznym, pożar i/lub odniesienie poważnych obrażeń.	<b>Olvasson el minden biztonsági figyelmeztetést és minden utasítást.</b> A figyelmeztetések és utasítások be nem tartása áramütést, tüzet és/vagy súlyos sérülést eredményezhet.
	<b>Always wear eye protection.</b>	<b>Tragen Sie immer einen Augenschutz.</b>	<b>Φοράτε πάντα τον κατάλληλο εξοπλισμό για την προστασία των ματιών.</b>	<b>Zawsze nosić okulary ochronne.</b>	<b>Mindig viseljen védőszemüveget.</b>
	Only for EU countries Do not dispose of electric tools together with household waste material! In observance of European Directive 2002/96/EC on waste electrical and electronic equipment and its implementation in accordance with national law, electric tools that have reached the end of their life must be collected separately and returned to an environmentally compatible recycling facility.	Nur für EU-Länder Werfen Sie Elektrowerkzeuge nicht in den Hausmüll! Gemäss Europäischer Richtlinie 2002/96/EG über Elektro- und Elektronik- Altgeräte und Umsetzung in nationales Recht müssen verbrauchte Elektrowerkzeuge getrennt gesammelt und einer umweltgerechten Wiederverwertung zugeführt werden.	Μόνο για τις χώρες της ΕΕ Μην πετάτε τα ηλεκτρικά εργαλεία στον κάδο οικιακών απορριμμάτων! Σύμφωνα με την ευρωπαϊκή οδηγία 2002/96/ΕΚ περί ηλεκτρικών και ηλεκτρονικών συσκευών και την ενσωμάτωση της στο εθνικό δίκαιο, τα ηλεκτρικά εργαλεία πρέπει να συλλέγονται ξεχωριστά και να επιστρέφονται για ανακύκλωση με τρόπο φιλικό προς το περιβάλλον.	Dotyczy tylko państw UE Nie wyrzucaj elektrowniczych narzędzi wraz z odpadami z gospodarstwa domowego! Zgodnie z Europejską Dyrektywą 2002/96/WE w sprawie zużytego sprzętu elektrotechnicznego i elektronicznego oraz dostosowaniem jej do prawa krajowego, zużyte elektrownicze narzędzia należy posegregować i zutylizować w sposób przyjazny dla środowiska.	Csak EU-országok számára Az elektromos kéziszerszámokat ne dobja a háztartási szeméttel! A használt villamos és elektronikai készülékekről szóló 2002/96/EK irányelv és annak a nemzeti jogba való átültetése szerint az elhasznált elektromos kéziszerszámokat külön kell gyűjteni, és környezetbarát módon újra kell hasznosítani.
	<b>Symbole</b> <b>⚠ UPOZORNĚNÍ</b> Následující text obsahuje symboly, které jsou použity na zařízeních. Ujistěte se, že rozumíte jejich obsahu před tím, než začnete zařízení používat.	<b>Simgeler</b> <b>⚠ DIKKAT</b> Aşağıda, bu alet için kullanılan simgeler gösterilmektedir. Aleti kullanmadan önce bu simgelerle ilgili anlama geldiğini anladığınızdan emin olun.	<b>Simboluri</b> <b>⚠ AVERTISMENT</b> În cele ce urmează sunt prezentate simbolurile folosite pentru maşină. Înainte de utilizare, asiguraţi-vă că înţelegeţi semnificaţia acestora.	<b>Simboli</b> <b>⚠ OPOZORILO</b> V nadaljevanju so prikazani simboli, uporabljeni pri stroju. Pred uporabo se prepričajte, da jih razumete.	<b>Символы</b> <b>⚠ ПРЕДУПРЕЖДЕНИЕ</b> Ниже приведены символы, используемые для машины. Перед началом работы обязательно убедитесь в том, что Вы понимаете их значение.
	<b>Prčtěte si všechna varování týkající se bezpečnosti a všechny pokyny.</b> Nedodržení těchto varování a pokynů může mít za následek elektrický šok, požár a/nebo vážné zranění.	<b>Tüm güvenlik uyarılarını ve tüm talimatları okuyun.</b> Uyarıları ve talimatları uymaması elektrik çarpmasına, yangına ve/veya ciddi yaralanmaya neden olabilir.	<b>Citiți toate avertismentele privind siguranța și toate instrucțiunile.</b> Nerespectarea avertismentelor și a instrucțiunilor poate avea ca efect producerea de șocuri electrice, incendii și/sau vătămări grave.	<b>Preberite vas varnostna opozorila in navodila.</b> Z neupoštevanjem opozoril in navodil tvegate električni udar, požar in/ali resne telesne poškodbe.	<b>Прочтите все правила безопасности и инструкции.</b> Не выполнение правил и инструкций может привести к поражению электрическим током, пожару и/или серьезной травме.
	<b>Vždy noste ochranu očí.</b>	<b>Daima koruyucu gözlük takın.</b>	<b>Purtați întotdeauna protecție pentru ochi.</b>	<b>Uporaba zaščitne za oči je obvezna.</b>	<b>Всегда надевайте средства защиты глаз.</b>
	Jen pro státy EU Elektrické nářadí nevyhazujte do komunálního odpadu! Podle evropské směrnice 2002/96/EG o nakládání s použitými elektrickými a elektronickými zařízeními a odpovídajících ustanovení právních předpisů jednotlivých zemí se použité elektrické nářadí musí sbírat odděleně od ostatního odpadu a podrobit ekologicky šetrnému recyklování.	Sadece AB ülkeleri için Elektrikli el aletlerini evdeki çöp kutusuna atmayın! Kullanılmış elektrikli aletleri, elektrik ve elektronikli cihazlar hakkındaki 2002/96/EC Avrupa yönetmelirine göre ve bu yönetmelir ulusal hukuk kurallarına göre uyarılanar, ayrı olarak toplanmalı ve çevre şartlarına uygun bir şekilde tekrar değerlendirilmeye gönderilmelidir.	Numai pentru țările membre UE Nu aruncați această sculă electrică împreună cu deșeurile menajere! În conformitate cu Directiva Europeană 2002/96/CE referitoare la deșeurile reprezentând echipamente electrice și electronice și la implementarea acesteia în conformitate cu legislațiile naționale, sculele electrice care au ajuns la finalul duratei de folosire trebuie colectate separat și duse la o unitate de reciclare compatibilă cu mediul înconjurător.	Samo za države EU Električni orodj ne zavrzite skupaj z gospodinjstskimi odpadki! V skladu z evropsko direktivo 2002/96/EC o odpadni električni in elektronski opremi in izvedbi v skladu z državnimi zakoni, je treba električna orodja, ki so dosegla življenjsko dobo ločeno zbirati in vrniti v z okoljem združljivo ustanovo za recikliranje.	Только для стран ЕС Не выкидывайте электроприборы вместе с обычным мусором! В соответствии с европейской директивой 2002/96/EG об утилизации старых электрических и электронных приборов и в соответствии с местными законами электроприборы, бывшие в эксплуатации, должны утилизироваться отдельно безопасным для окружающей среды способом.

## GENERAL POWER TOOL SAFETY WARNINGS

### WARNING

Read all safety warnings and all instructions.

*Failure to follow the warnings and instructions may result in electric shock, fire and/or serious injury.*

Save all warnings and instructions for future reference.

*The term "power tool" in the warnings refers to your mains-operated (corded) power tool or battery-operated (cordless) power tool.*

#### 1) Work area safety

- a) **Keep work area clean and well lit.**  
*Cluttered or dark areas invite accidents.*
- b) **Do not operate power tools in explosive atmospheres, such as in the presence of flammable liquids, gases or dust.**  
*Power tools create sparks which may ignite the dust or fumes.*
- c) **Keep children and bystanders away while operating a power tool.**  
*Distractions can cause you to lose control.*

#### 2) Electrical safety

- a) **Power tool plugs must match the outlet. Never modify the plug in any way. Do not use any adapter plugs with earthed (grounded) power tools.**  
*Unmodified plugs and matching outlets will reduce risk of electric shock.*
- b) **Avoid body contact with earthed or grounded surfaces, such as pipes, radiators, ranges and refrigerators.**  
*There is an increased risk of electric shock if your body is earthed or grounded.*
- c) **Do not expose power tools to rain or wet conditions.**  
*Water entering a power tool will increase the risk of electric shock.*
- d) **Do not abuse the cord. Never use the cord for carrying, pulling or unplugging the power tool. Keep cord away from heat, oil, sharp edges or moving parts.**  
*Damaged or entangled cords increase the risk of electric shock.*
- e) **When operating a power tool outdoors, use an extension cord suitable for outdoor use.**  
*Use of a cord suitable for outdoor use reduces the risk of electric shock.*
- f) **If operating a power tool in a damp location is unavoidable, use a residual current device (RCD) protected supply.**  
*Use of an RCD reduces the risk of electric shock.*

#### 3) Personal safety

- a) **Stay alert, watch what you are doing and use common sense when operating a power tool. Do not use a power tool while you are tired or under the influence of drugs, alcohol or medication.**  
*A moment of inattention while operating power tools may result in serious personal injury.*
- b) **Use personal protective equipment. Always wear eye protection.**  
*Protective equipment such as dust mask, non-skid safety shoes, hard hat, or hearing protection used for appropriate conditions will reduce personal injuries.*

- c) **Prevent unintentional starting. Ensure the switch is in the off-position before connecting to power source and/or battery pack, picking up or carrying the tool.**

*Carrying power tools with your finger on the switch or energising power tools that have the switch on invites accidents.*

- d) **Remove any adjusting key or wrench before turning the power tool on.**  
*A wrench or a key left attached to a rotating part of the power tool may result in personal injury.*
- e) **Do not overreach. Keep proper footing and balance at all times.**  
*This enables better control of the power tool in unexpected situations.*
- f) **Dress properly. Do not wear loose clothing or jewellery. Keep your hair, clothing and gloves away from moving parts.**  
*Loose clothes, jewellery or long hair can be caught in moving parts.*
- g) **If devices are provided for the connection of dust extraction and collection facilities, ensure these are connected and properly used.**  
*Use of dust collection can reduce dust related hazards.*

#### 4) Power tool use and care

- a) **Do not force the power tool. Use the correct power tool for your application.**  
*The correct power tool will do the job better and safer at the rate for which it was designed.*
- b) **Do not use the power tool if the switch does not turn it on and off.**  
*Any power tool that cannot be controlled with the switch is dangerous and must be repaired.*
- c) **Disconnect the plug from the power source and/or the battery pack from the power tool before making any adjustments, changing accessories, or storing power tools.**  
*Such preventive safety measures reduce the risk of starting the power tool accidentally.*
- d) **Store idle power tools out of the reach of children and do not allow persons unfamiliar with the power tool or these instructions to operate the power tool.**  
*Power tools are dangerous in the hands of untrained users.*
- e) **Maintain power tools. Check for misalignment or binding of moving parts, breakage of parts and any other condition that may affect the power tools operation.**  
**If damaged, have the power tool repaired before use.**  
*Many accidents are caused by poorly maintained power tools.*
- f) **Keep cutting tools sharp and clean.**  
*Properly maintained cutting tools with sharp cutting edges are less likely to bind and are easier to control.*
- g) **Use the power tool, accessories and tool bits etc. in accordance with these instructions, taking into account the working conditions and the work to be performed.**  
*Use of the power tool for operations different from those intended could result in a hazardous situation.*

## 5) Service

- a) Have your power tool serviced by a qualified repair person using only identical replacement parts.

*This will ensure that the safety of the power tool is maintained.*

**PRECAUTION**

Keep children and infirm persons away.

When not in use, tools should be stored out of reach of children and infirm persons.

---

**SAFETY WARNINGS COMMON FOR GRINDING OR ABRASIVE CUTTING-OFF OPERATIONS**


---

- a) This power tool is intended to function as a grinder or cut-off tool. Read all safety warnings, instructions, illustrations and specifications provided with this power tool.

*Failure to follow all instructions listed below may result in electric shock, fire and/or serious injury.*

- b) Operations such as sanding, wire brushing or polishing are not recommended to be performed with this power tool.

*Operations for which the power tool was not designed may create a hazard and cause personal injury.*

- c) Do not use accessories which are not specifically designed and recommended by the tool manufacturer.

*Just because the accessory can be attached to your power tool, it does not assure safe operation.*

- d) The rated speed of the accessory must be at least equal to the maximum speed marked on the power tool.

*Accessories running faster than their rated speed can break and fly apart.*

- e) The outside diameter and the thickness of your accessory must be within the capacity rating of your power tool.

*Incorrectly sized accessories cannot be adequately guarded or controlled.*

- f) The arbour size of wheels, flanges, backing pads or any other accessory must properly fit the spindle of the power tool.

*Accessories with arbour holes that do not match the mounting hardware of the power tool will run out of balance, vibrate excessively and may cause loss of control.*

- g) Do not use a damaged accessory. Before each use inspect the accessory such as abrasive wheels for chips and cracks, backing pad for cracks, tear or excess wear, wire brush for loose or cracked wires. If power tool or accessory is dropped, inspect for damage or install an undamaged accessory. After inspecting and installing an accessory, position yourself and bystanders away from the plane of the rotating accessory and run the power tool at maximum no-load speed for one minute.

*Damaged accessories will normally break apart during this test time.*

- h) Wear personal protective equipment. Depending on application, use face shield, safety goggles or safety glasses. As appropriate, wear dust mask, hearing protectors, gloves and workshop apron capable of stopping small abrasive or workpiece fragments.

*The eye protection must be capable of stopping flying debris generated by various operations. The dust mask or respirator must be capable of filtering particles generated by your operation. Prolonged exposure to high intensity noise may cause hearing loss.*

- i) Keep bystanders a safe distance away from work area. Anyone entering the work area must wear personal protective equipment.

*Fragments of workpiece or of a broken accessory may fly away and cause injury beyond immediate area of operation.*

- j) Hold power tool by insulated gripping surfaces only, when performing an operation where the cutting accessory may contact hidden wiring or its own cord.

*Cutting accessory contacting a "live" wire may make exposed metal parts of the power tool "live" and shock the operator.*

- k) Position the cord clear of the spinning accessory.

*If you lose control, the cord may be cut or snagged and your hand or arm may be pulled into the spinning accessory.*

- l) Never lay the power tool down until the accessory has come to a complete stop.

*The spinning accessory may grab the surface and pull the power tool out of your control.*

- m) Do not run the power tool while carrying it at your side.

*Accidental contact with the spinning accessory could snag your clothing, pulling the accessory into your body.*

- n) Regularly clean the power tool's air vents.

*The motor's fan will draw the dust inside the housing and excessive accumulation of powdered metal may cause electrical hazards.*

- o) Do not operate the power tool near flammable materials.

*Sparks could ignite these materials.*

- p) Do not use accessories that require liquid coolants.

*Using water or other liquid coolants may result in electrocution or shock.*

---

**KICKBACK AND RELATED WARNINGS**


---

*Kickback is a sudden reaction to a pinched or snagged rotating wheel, backing pad, brush or any other accessory. Pinching or snagging causes rapid stalling of the rotating accessory which in turn causes the uncontrolled power tool to be forced in the direction opposite of the accessory's rotation at the point of the binding.*

*For example, if an abrasive wheel is snagged or pinched by the workpiece, the edge of the wheel that is entering into the pinch point can dig into the surface of the material causing the wheel to climb out or kick out. The wheel may either jump toward or away from the operator, depending on direction of the wheel's movement at the point of pinching. Abrasive wheels may also break under these conditions.*

*Kickback is the result of power tool misuse and/or incorrect operating procedures or conditions and can be avoided by taking proper precautions as given below.*

- a) **Maintain a firm grip on the power tool and position your body and arm to allow you to resist kickback forces. Always use auxiliary handle, if provided, for maximum control over kickback or torque reaction during start-up.**  
*The operator can control torque reactions or kickback forces, if proper precautions are taken.*
- b) **Never place your hand near the rotating accessory.**  
*Accessory may kickback over your hand.*
- c) **Do not position your body in the area where power tool will move if kickback occurs.**  
*Kickback will propel the tool in direction opposite to the wheel's movement at the point of snagging.*
- d) **Use special care when working corners, sharp edges etc. Avoid bouncing and snagging the accessory.**  
*Corners, sharp edges or bouncing have a tendency to snag the rotating accessory and cause loss of control or kickback.*
- e) **Do not attach a saw chain woodcarving blade or toothed saw blade.**  
*Such blades create frequent kickback and loss of control.*

---

## **SAFETY WARNINGS SPECIFIC FOR GRINDING AND ABRASIVE CUTTING-OFF OPERATIONS**

---

- a) **Use only wheel types that are recommended for your power tool and the specific guard designed for the selected wheel.**  
*Wheels for which the power tool was not designed cannot be adequately guarded and are unsafe.*
- b) **The guard must be securely attached to the power tool and positioned for maximum safety, so the least amount of wheel is exposed towards the operator.**  
*The guard helps to protect operator from broken wheel fragments and accidental contact with wheel.*
- c) **Wheels must be used only for recommended applications. For example: do not grind with the side of cut-off wheel.**  
*Abrasive cut-off wheels are intended for peripheral grinding, side forces applied to these wheels may cause them to shatter.*
- d) **Always use undamaged wheel flanges that are of correct size and shape for your selected wheel.**  
*Proper wheel flanges support the wheel thus reducing the possibility of wheel breakage. Flanges for cut-off wheels may be different from grinding wheel flanges.*
- e) **Do not use worn down wheels from larger power tools.**  
*Wheel intended for larger power tool is not suitable for the higher speed of a smaller tool and may burst.*

---

## **ADDITIONAL SAFETY WARNINGS SPECIFIC FOR ABRASIVE CUTTING-OFF OPERATIONS**

---

- a) **Do not "jam" the cut-off wheel or apply excessive pressure. Do not attempt to make an excessive depth of cut.**  
*Overstressing the wheel increases the loading and susceptibility to twisting or blinding of the wheel in the cut and the possibility of kickback or wheel breakage.*
- b) **Do not position your body in line with and behind the rotating wheel.**  
*When the wheel, at the point of operation, is moving away from your body, the possible kickback may propel the spinning wheel and the power tool directly at you.*
- c) **When wheel is binding or when interrupting a cut for any reason, switch off the power tool and hold the power tool motionless until the wheel comes to a complete stop. Never attempt to remove the cut-off wheel from the cut while the wheel is in motion otherwise kickback may occur.**  
*Investigate and take corrective action to eliminate the cause of wheel binding.*
- d) **Do not restart the cutting operation in the workpiece. Let the wheel reach full speed and carefully reenter the cut.**  
*The wheel may bind, walk up or kickback if the power tool is restarted in the workpiece.*
- e) **Support panels or any oversized workpiece to minimize the risk of wheel pinching and kickback.**  
*Large workpieces tend to sag under their own weight. Supports must be placed under the workpiece near the line of cut and near the edge of the workpiece on both sides of the wheel.*
- f) **Use extra caution when making a "pocket cut" into existing walls or other blind areas.**  
*The protruding wheel may cut gas or water pipes, electrical wiring or objects that can cause kickback.*

---

## **GENERAL SAFETY INSTRUCTIONS FOR GRINDERS**

---

- Check that speed marked on the wheel is equal to or greater than the rated speed of the grinder;
- Ensure that the wheel dimensions are compatible with the grinder;
- Abrasive wheels shall be stored and handled with care in accordance with manufacturer's instructions;
- Inspect the grinding wheel before use, do not use chipped, cracked or otherwise defective products;
- Ensure that mounted wheels and points are fitted in accordance with the manufacturer's instructions;
- Ensure that blotters are used when they are provided with the bonded abrasive product and when they are required;
- Ensure that the abrasive product is correctly mounted and tightened before use and run the tool at no-load for 30 s in a safe position, stop immediately if there is considerable vibration or if other defects are detected. If this condition occurs, check the machine to determine the cause;

- If a guard is equipped with the tool never use the tool without such a guard;
- Do not use separate reducing bushings or adapters to adapt large hole abrasive wheels;
- For tools intended to be fitted with threaded hole wheel, ensure that the thread in the wheel is long enough to accept the spindle length;
- Check that the work piece is properly supported;
- Do not use cutting off wheel for side grinding;
- Ensure that sparks resulting from use do not create a hazard e.g. do not hit persons, or ignite flammable substances;
- Ensure that ventilation openings are kept clear when working in dusty conditions, if it should become necessary to clear dust, first disconnect the tool from the mains supply (use non metallic objects) and avoid damaging internal parts;
- Always use eye and ear protection. Other personal protective equipment such as dust mask, gloves, helmet and apron should be worn;
- Pay attention to the wheel that continues to rotate after the tool is switched off.

## SPECIFICATIONS

Model		G10SS	G12SS	G13SS
Voltage (by areas)*		(110V, 120V, 220V, 230V, 240V) $\sim$		
Power Input*		580 W		
No-load speed		11000 min <sup>-1</sup>		10000 min <sup>-1</sup>
Wheel	Outer dia. x hole dia.	100 x 16 mm	115 x 22 mm	125 x 22 mm
	Peripheral speed	72 m/s	80 m/s	
Weight (Only main body)		1.4 kg		

\*Be sure to check the nameplate on product as it is subject to change by areas.

## STANDARD ACCESSORIES

- (1) Wrench ..... 1  
 (2) Side handle ..... 1  
 Standard accessories are subject to change without notice.

## APPLICATIONS

- Removal of casting fin and finishing of various types of steel, bronze and aluminum materials and castings.
- Grinding of welded sections or sections cut by means of a cutting torch.

## PRIOR TO OPERATION

### 1. Power source

Ensure that the power source to be utilized conforms to the power requirements specified on the product nameplate.

### 2. Power switch

Ensure that the power switch is in the OFF position. If the plug is connected to a receptacle while the power switch is in the ON position, the power tool will start operating immediately, which could cause a serious accident.

### 3. Extension cord

When the work area is removed from the power source, use an extension cord of sufficient thickness and rated capacity. The extension cord should be kept as short as practicable.

### 4. Fitting and adjusting the wheel guard

The wheel guard is a protective device to prevent injury should the depressed center wheel shatter during operation. Ensure that the guard is properly fitted and fastened before commencing grinding operation.

By slightly loosening the setting screw, the wheel guard can be turned and set at any desired angle for maximum operational effectiveness. Ensure that the setting screw is thoroughly tightened after adjusting the wheel guard.

5. Ensure that mounted wheels and points are fitted in accordance with the manufacturer's instructions. Ensure that the depressed center wheel to be utilized is the correct type and free of cracks or surface defects. Also ensure that the depressed center wheel is properly mounted and the wheel nut is securely tightened. Refer to the section on "ASSEMBLING AND DISASSEMBLING THE DEPRESSED CENTER WHEEL"

Ensure that blotters are used when they are provided with the bonded abrasive product and when they are required.

Do not use separate reducing bushings or adaptors to adapt large hole abrasive wheels.

For tools intended to be fitted with threaded hole wheel, ensure that the thread in the wheel is long enough to accept the spindle length.

Do not use cutting off wheel for side grinding.

### 6. Conducting a trial run

Ensure that the abrasive products is correctly mounted and tightened before use and run the tool at no-load for 30 seconds in a safe position, stop immediately if there is considerable vibration or if other defects are detected.

If this condition occurs, check the machine to determine the cause.

### 7. Confirm the push button

Confirm that the push button is disengaged by pushing push button two or three times before switching the power tool on (See Fig. 2).

### 8. Fixing the side handle

Screw the side handle into the gear cover.

---

## PRACTICAL GRINDER APPLICATION

---

### 1. Pressure

To prolong the life of the machine and ensure a first class finish, it is important that the machine should not be overloaded by applying too much pressure. In most applications, the weight of the machine alone is sufficient for effective grinding. Too much pressure will result in reduced rotational speed, inferior surface finish, and overloading which could reduce the life of the machine.

### 2. Grinding angle

Do not apply the entire surface of the depressed center wheel to the material to be ground. As shown in **Fig. 1**, the machine should be held at an angle of 15° – 30° so that the external edge of the depressed center wheel contacts the material at an optimum angle.

3. To prevent a new depressed center wheel from digging into the workpiece, initial grinding should be performed by drawing the grinder across the workpiece toward the operator (**Fig. 1 direction B**). Once the leading edge of the depressed center wheel is properly abraded, grinding may be conducted in either direction.

### 4. Precautions immediately after finishing operation

The wheel continues to rotate after the tool is switched off.

After switching off the machine, do not put it down until the depressed center wheel has come to a complete stop. Apart from avoiding serious accidents, this precaution will reduce the amount of dust and swarf sucked into the machine.

### CAUTIONS

- Check that the work piece is properly supported.
- Ensure that ventilation openings are kept clear when working in dusty conditions.  
If it should become necessary to clear dust, first disconnect the tool from the mains supply (use non-metallic objects) and avoid damaging internal parts.
- Ensure that sparks resulting from use do not create a hazard e.g. do not hit persons, or ignite flammable substances.
- Always use eye and ear protection.  
Other personal protective equipment such as dust mask, gloves, helmet and apron should be worn when necessary.  
If in doubt, wear the protective equipment.
- When the machine is not use, the power source should be disconnected.

---

## ASSEMBLING AND DISASSEMBLING THE DEPRESSED CENTER WHEEL (Fig. 2)

---

**CAUTION** Be sure to switch OFF and disconnect the attachment plug from the receptacle to avoid a serious accident.

### 1. Assembling (Fig. 2)

- (1) Turn the disc grinder upsidedown so that the spindle is facing upward.
- (2) Align the across flats of the wheel washer with the notched part of the spindle, then attach them.
- (3) Fit the protuberance of the depressed center wheel onto the wheel washer.

- (4) Screw the wheel nut onto the spindle.
- (5) While pushing the push button with one hand, lock the spindle by turning the depressed center wheel slowly with the other hand.  
Tighten the wheel nut by using the supplied wrench as shown in **Fig. 2**.

### 2. Disassembling

Follow the above procedures in reverse.

### CAUTIONS

- Confirm that the depressed center wheel is mounted firmly.
- Confirm that the push button is disengaged by pushing push button two or three times before switching the power tool on.

---

## MAINTENANCE AND INSPECTION

---

### 1. Inspecting the depressed center wheel

Ensure that the depressed center wheel is free of cracks and surface defects.

### 2. Inspecting the mounting screws

Regularly inspect all mounting screws and ensure that they are properly tightened. Should any of the screws be loose, retighten them immediately. Failure to do so could result in serious hazard.

### 3. Inspecting the carbon brushes (Fig. 3)

The motor employs carbon brushes which are consumable parts. Since an excessively worn carbon brush can result in motor trouble, replace the carbon brushes with new ones having the same carbon brush No. shown in the figure when it becomes worn to or near the "wear limit". In addition, always keep carbon brushes clean and ensure that they slide freely within the brush holders.

### 4. Replacing carbon brushes:

Disassemble the brush caps with a slotted-head screwdriver. The carbon brushes can then be easily removed.

### 5. Maintenance of the motor

The motor unit winding is the very "heart" of the power tool. Exercise due care to ensure the winding does not become damaged and/or wet with oil or water.

### 6. Service parts list

#### CAUTION

Repair, modification and inspection of Hitachi Power Tools must be carried out by an Hitachi Authorized Service Center.

This Parts List will be helpful if presented with the tool to the Hitachi Authorized Service Center when requesting repair or other maintenance.

In the operation and maintenance of power tools, the safety regulations and standards prescribed in each country must be observed.

### MODIFICATIONS

Hitachi Power Tools are constantly being improved and modified to incorporate the latest technological advancements.

Accordingly, some parts may be changed without prior notice.



---

## GUARANTEE

---

We guarantee Hitachi Power Tools in accordance with statutory/country specific regulation. This guarantee does not cover defects or damage due to misuse, abuse, or normal wear and tear. In case of complaint, please send the Power Tool, undismantled, with the GUARANTEE CERTIFICATE found at the end of this Handling instruction, to a Hitachi Authorized Service Center.

---

## NOTE

Due to HITACHI's continuing program of research and development, the specifications herein are subject to change without prior notice.

---

---

## Information concerning airborne noise and vibration

The measured values were determined according to EN60745 and declared in accordance with ISO 4871.

Measured A-weighted sound power level: 98 dB (A).  
Measured A-weighted sound pressure level: 87 dB (A).  
Uncertainty KpA: 3 dB (A).

Wear ear protection.

Vibration total values (triax vector sum) determined according to EN60745.

Surface grinding:

Vibration emission value **a<sub>h, AG</sub>** = 6.3 m/s<sup>2</sup>

Uncertainty K = 1.5 m/s<sup>2</sup>

---

## WARNING

- The vibration emission value during actual use of the power tool can differ from the declared value depending on the ways in which the tool is used.
- To identify the safety measures to protect the operator that are based on an estimation of exposure in the actual conditions of use (taking account of all parts of the operating cycle such as the times when the tool is switched off and when it is running idle in addition to the trigger time).

## ALLGEMEINE SICHERHEITSHINWEISE FÜR ELEKTROGERÄTE

### WARNUNG

Lesen Sie sämtliche Sicherheitshinweise und Anweisungen durch

*Wenn die Warnungen und Anweisungen nicht befolgt werden, kann es zu Stromschlag, Brand und/oder ernsthaften Verletzungen kommen.*

**Bitte bewahren Sie alle Warnhinweise und Anweisungen zum späteren Nachschlagen auf.**

*Der Begriff „Elektrowerkzeug“ bezieht sich in den Warnhinweisen auf Elektrowerkzeuge mit Netz- (schnurgebunden) oder Akkubetrieb (schnurlos).*

### 1) Sicherheit im Arbeitsbereich

a) Sorgen Sie für einen sauberen und gut ausgeleuchteten Arbeitsbereich.

*Zugelassene oder dunkle Bereiche ziehen Unfälle förmlich an.*

b) Verwenden Sie Elektrowerkzeuge niemals an Orten, an denen Explosionsgefahr besteht – zum Beispiel in der Nähe von leicht entflammbaren Flüssigkeiten, Gasen oder Stäuben.

*Bei der Arbeit mit Elektrowerkzeugen kann es zu Funkenbildung kommen, wodurch sich Stäube oder Dämpfe entzünden können.*

c) Sorgen Sie bei der Arbeit mit Elektrowerkzeugen dafür, dass sich keine Zuschauer (insbesondere Kinder) in der Nähe befinden.

*Wenn Sie abgelenkt werden, können Sie die Kontrolle über das Werkzeug verlieren.*

### 2) Elektrische Sicherheit

a) Elektrowerkzeuge müssen mit passender Stromversorgung betrieben werden.

*Nehmen Sie niemals irgendwelche Änderungen am Anschlussstecker vor.*

*Verwenden Sie bei Elektrowerkzeugen mit Schutzkontakt (geerdet) niemals Adapterstecker. Stecker im Originalzustand und passende Steckdosen reduzieren das Stromschlagrisiko.*

b) Vermeiden Sie Körperkontakt mit geerdeten Gegenständen wie Rohrleitungen, Heizungen, Herden oder Kühlschränken.

*Bei Körperkontakt mit geerdeten Gegenständen besteht ein erhöhtes Stromschlagrisiko.*

c) Setzen Sie Elektrowerkzeuge niemals Regen oder sonstiger Feuchtigkeit aus.

*Wenn Flüssigkeiten in ein Elektrowerkzeug eindringen, erhöht sich das Stromschlagrisiko.*

d) Verwenden Sie die Anschlussschnur nicht missbräuchlich. Tragen Sie das Elektrowerkzeug niemals an der Anschlussschnur, ziehen Sie es nicht damit heran und ziehen Sie den Stecker nicht an der Anschlussschnur aus der Steckdose. Halten Sie die Anschlussschnur von Hitzequellen, Öl, scharfen Kanten und beweglichen Teilen fern. Beschädigte oder verdrehte Anschlussschnüre erhöhen das Stromschlagrisiko.

e) Wenn Sie ein Elektrowerkzeug im Freien benutzen, verwenden Sie ein für den Außeneinsatz geeignetes Verlängerungskabel. Ein für den Außeneinsatz geeignetes Kabel vermindert das Stromschlagrisiko.

f) Falls sich der Betrieb des Elektrowerkzeuges in feuchter Umgebung nicht vermeiden lässt, verwenden Sie eine Stromversorgung mit Fehlerstromschutzeinrichtung (Residual Current Device, RCD).

*Durch den Einsatz einer Fehlerstromschutzeinrichtung wird das Risiko eines elektrischen Schlages reduziert.*

### 3) Persönliche Sicherheit

a) Bleiben Sie wachsam, achten Sie auf das, was Sie tun, und setzen Sie Ihren Verstand ein, wenn Sie mit Elektrowerkzeugen arbeiten. Benutzen Sie keine Elektrowerkzeuge, wenn Sie müde sind oder unter Einfluss von Drogen, Alkohol oder Medikamenten stehen.

*Bei der Arbeit mit Elektrowerkzeugen können bereits kurze Phasen der Unaufmerksamkeit zu schweren Verletzungen führen.*

b) Benutzen Sie eine persönliche Schutzausrüstung. Tragen Sie immer einen Augenschutz.

*Schutzausrüstung wie Staubmaske, rutschsichere Sicherheitsschuhe, Schutzhelm und Gehörschutz senken das Verletzungsrisiko bei angemessenem Einsatz.*

c) Vermeiden Sie unbeabsichtigten Anlauf. Achten Sie darauf, dass sich der Schalter in der Aus- (Off-) Position befindet, ehe Sie das Gerät mit der Stromversorgung und/oder Batteriestromversorgung verbinden, es aufheben oder herumtragen.

*Das Herumtragen von Elektrowerkzeugen mit dem Finger am Schalter oder das Herstellen der Stromversorgung bei betätigtem Schalter zieht Unfälle regelrecht an.*

d) Entfernen Sie sämtliche Einstellwerkzeuge (Einstellschlüssel), ehe Sie das Elektrowerkzeug einschalten.

*Ein an einem beweglichen Teil des Elektrowerkzeugs angebrachter Schlüssel kann zu Verletzungen führen.*

e) Sorgen Sie für einen festen Stand. Achten Sie jederzeit darauf, sicher zu stehen und das Gleichgewicht zu bewahren.

*Dadurch haben Sie das Elektrowerkzeug in unerwarteten Situationen besser im Griff.*

f) Kleiden Sie sich richtig. Tragen Sie keine lose Kleidung oder Schmuck. Halten Sie Haar, Kleidung und Handschuhe von beweglichen Teilen fern. Lose Kleidung, Schmuck oder langes Haar kann von beweglichen Teilen erfasst werden.

g) Wenn Anschlüsse für Staubabsaug- und -sammelvorrichtungen vorhanden sind, sorgen Sie dafür, dass diese richtig angeschlossen und eingesetzt werden.

*Durch Entfernen des Staubes können staubbezogene Gefahren vermindert werden.*

### 4) Einsatz und Pflege von Elektrowerkzeugen

a) Überansprechen Sie Elektrowerkzeuge nicht. Benutzen Sie das richtige Elektrowerkzeug für Ihren Einsatzzweck.

*Das richtige Elektrowerkzeug erledigt seine Arbeit bei bestimmungsgemäßem Einsatz besser und sicherer.*

b) Benutzen Sie das Elektrowerkzeug nicht, wenn es sich nicht am Schalter ein- und ausschalten lässt. Jedes Elektrowerkzeug, das nicht mit dem Schalter betätigt werden kann, stellt eine Gefahr dar und muss repariert werden.

c) Stecken Sie den Stecker der Stromversorgung oder Batteriestromversorgung vom Gerät ab, ehe Sie Einstellarbeiten vornehmen, Zubehörteile tauschen oder das Elektrowerkzeug verstauen. Solche präventiven Sicherheitsmaßnahmen verhindern den unbeabsichtigten Anlauf des Elektrowerkzeugs und die damit verbundenen Gefahren.

- d) Lagern Sie nicht benutzte Elektrowerkzeuge außerhalb der Reichweite von Kindern, lassen Sie nicht zu, dass Personen das Elektrowerkzeug bedienen, die nicht mit dem Werkzeug selbst und/oder diesen Anweisungen vertraut sind. *Elektrowerkzeuge in ungeschulten Händen sind gefährlich.*
- e) Halten Sie Elektrowerkzeuge in Stand. Prüfen Sie auf Fehlausrichtungen, sicheren Halt und Leichtgängigkeit beweglicher Teile, Beschädigungen von Teilen und auf jegliche andere Zustände, die sich auf den Betrieb des Elektrowerkzeugs auswirken können. Bei Beschädigungen lassen Sie das Elektrowerkzeug reparieren, ehe Sie es benutzen. *Viele Unfälle mit Elektrowerkzeugen sind auf schlechte Wartung zurückzuführen.*
- f) Halten Sie Schneidwerkzeuge scharf und sauber. *Richtig gewartete Schneidwerkzeuge mit scharfen Schneidkanten bleiben weniger häufig hängen und sind einfacher zu beherrschen.*
- g) Benutzen Sie Elektrowerkzeuge, Zubehör, Werkzeugspitzen und Ähnliches in Übereinstimmung mit diesen Anweisungen – beachten Sie dabei die jeweiligen Arbeitsbedingungen und die Art und Weise der auszuführenden Arbeiten. *Der Gebrauch des Elektrowerkzeuges für andere als die vorgesehenen Anwendungen kann zu gefährlichen Situationen führen.*

5) Service

- a) Lassen Sie Elektrowerkzeuge durch qualifizierte Fachkräfte und unter Einsatz passender, zugelassener Originalteile warten. *Dies sorgt dafür, dass die Sicherheit des Elektrowerkzeugs nicht beeinträchtigt wird.*

VORSICHT

Von Kindern und gebrechlichen Personen fernhalten. Werkzeuge sollten bei Nichtgebrauch außerhalb der Reichweite von Kindern und gebrechlichen Personen aufbewahrt werden.

**FÜR SCHLEIF- UND TRENNSCHLEIFARBEITEN  
GELTENDE SICHERHEITSHINWEISE**

- a) Dieses Elektrowerkzeug kann als Schleif- oder Trennschleifwerkzeug eingesetzt werden. Bitte beachten Sie sämtliche mit diesem Gerät gelieferten Sicherheitshinweise, Anweisungen, Illustrationen und technischen Angaben. *Wenn nicht sämtliche nachstehenden Anweisungen befolgt werden, kann es zu Stromschlag, Feuergefahr und/oder ernsthaften Verletzungen kommen.*
- b) Es wird nicht empfohlen, Arbeiten wie Sandpapierschleifen, Drahtbürsten oder Polieren mit diesem Elektrowerkzeug auszuführen. *Arbeiten, für die dieses Elektrowerkzeug nicht konzipiert wurde, könnten eine Gefahr darstellen, die zu Verletzungen oder Geräteschäden führen könnten.*
- c) Verwenden Sie keine Zubehöerteile, die nicht speziell vom Hersteller für die Verwendung mit dem Werkzeug konzipiert und empfohlen wurden. *Der Umstand, dass ein Zubehöerteil an dem Elektrowerkzeug angebracht werden kann, bedeutet nicht, dass damit ein sicherer Betrieb garantiert ist.*

- d) Die Nenndrehzahl des Schleifkörpers muss mindestens der maximalen auf dem Elektrowerkzeug angegebenen Drehzahl entsprechen. *Schleifkörper, die mit einer höheren Geschwindigkeit als ihrer Nenndrehzahl betrieben werden, können zerbersten und in Folge können Bruchstücke davon weggeschleudert werden.*
- e) Außendurchmesser und Dicke des Schleifkörpers müssen den Maßangaben Ihres Elektrowerkzeugs entsprechen. *Falsch bemessene Schleifkörper können nicht ausreichend abgesichert oder bei Arbeit nicht ausreichend kontrolliert werden.*
- f) Schleifscheiben, Flansche, Schleifteller oder anderes Zubehör müssen genau auf die Schleifspindel Ihres Elektrowerkzeugs passen. *Einsatzwerkzeuge, die nicht genau auf die Schleifspindel des Elektrowerkzeugs passen, laufen mit Unwucht, vibrieren sehr stark und können zu einem Verlust der Kontrolle über das Werkzeug führen.*
- g) Benutzen Sie niemals beschädigte Schleifkörper. Überprüfen Sie vor jedem Gebrauch Einsatzwerkzeuge wie Schleifkörper auf Absplinterungen und Risse, Schleifteller auf Sprünge, Risse oder starke Abnutzung, Drahtbürsten auf lose oder gebrochene Drähte. Wenn das Elektrowerkzeug oder der Schleifkörper herunter fällt, überprüfen Sie es/ ihn auf Beschädigung oder montieren Sie einen unbeschädigten Schleifkörper. Lassen Sie nach Prüfung und Montage des Schleifkörpers das Elektrowerkzeug eine Minute lang mit maximaler Leerlaufdrehzahl laufen. Achten Sie dabei darauf, dass Sie und alle anderen in der Nähe befindlichen Personen sich außerhalb der Rotationsebene des Schleifkörpers aufhalten. *Normalerweise zerbersten schadhafte Schleifwerkzeuge bei einem solchen Probelauf.*
- h) Tragen Sie eine Schutzausrüstung. Benutzen Sie je nach Anwendung Gesichtsschutz oder Schutzbrille. Soweit angemessen, tragen Sie eine Staubmaske, einen Gehörschutz, Handschuhe sowie eine Arbeitsschürze, die geeignet sind, Sie vor Schleifkörper- und Werkstückteilen zu schützen. *Die Schutzbrille muss sich eignen, die bei unterschiedlichen Arbeiten weggeschleuderten Partikel abzuwehren. Die Staub- oder die Atemschutzmaske muss in der Lage sein, die bei der Arbeit entstehenden Partikel zu filtern. Eine dauerhaft hohe Lärmbelastung kann zu Gehörverlust führen.*
- i) Halten Sie umstehende Personen von Ihrem Arbeitsbereich fern. Jeder, der den Arbeitsbereich betritt, muss eine Schutzausrüstung tragen. *Werkstückteilen oder Stücke geborstener Schleifkörper können weggeschleudert werden und auch außerhalb des unmittelbaren Arbeitsbereiches Verletzungen verursachen.*
- j) Falls der Schleifkörper bei der Arbeit mit verdeckt liegenden Leitungen oder mit der Anschlussleitung des Elektrowerkzeugs selbst in Berührung kommen kann, halten Sie das Elektrowerkzeug nur an seinen isolierten Griffflächen.

*Schleifkörper, die in Kontakt mit einer spannungsführenden Leitung kommen, können die Metallteile des Elektrowerkzeugs spannungsführend machen und dem Bediener einen elektrischen Schlag versetzen.*

- k) **Halten Sie die Anschlussleitung des Elektrowerkzeugs stets vom drehenden Schleifkörper fern.**

*Falls Sie die Kontrolle über das Elektrowerkzeug verlieren, kann die Anschlussleitung durchtrennt oder erfasst werden, und Ihre Hand oder Ihr Arm in das sich drehende Einsatzwerkzeug geraten.*

- l) **Legen Sie das Elektrowerkzeug niemals ab, bevor der Schleifkörper vollständig zum Stillstand gekommen ist.**

*Der sich drehende Schleifkörper kann in Berührung mit der Ablagefläche geraten, wodurch Sie die Kontrolle über das Elektrowerkzeug verlieren können.*

- m) **Lassen Sie das Elektrowerkzeug nicht laufen, während Sie es tragen.**

*Der sich drehende Schleifkörper kann bei versehentlicher Berührung Ihre Kleidung erfassen und in Ihren Körper gezogen werden.*

- n) **Reinigen Sie regelmäßig die Lüftungsoffnungen des Elektrowerkzeugs. Das Motorgebläse zieht Staub in das Gehäuse.**

*Übermäßige Ansammlungen von Metallstaub könnten zu elektrischen Gefährdungen führen.*

- o) **Verwenden Sie das Elektrowerkzeug nicht in der Nähe entflammbarer Materialien.**

*Funken könnten diese Materialien entzünden.*

- p) **Verwenden Sie keine Zubehörteile, die flüssige Kühlmittel erfordern.**

*Die Verwendung von Wasser oder anderen flüssigen Kühlmitteln kann zu einem elektrischen Schlag oder Schock führen.*

- a) **Halten Sie das Elektrowerkzeug stets gut fest und bringen Sie Ihren Körper und Ihren Arm in eine Position, in der Sie mögliche Rückschlagkräfte abfangen können. Verwenden Sie immer den Zusatzgriff, falls vorhanden, um beim Hochlauf die größtmögliche Kontrolle über Rückschlagkräfte oder Reaktionsmomente zu haben.**

*Der Bediener kann Rückschlagkräfte oder Reaktionsmomente durch geeignete Vorsichtsmaßnahmen beherrschen.*

- b) **Bringen Sie Ihre Hand nie in die Nähe rotierenden Einsatzwerkzeuge.**

*Das Einsatzwerkzeug könnte sich beim Rückschlag über Ihre Hand bewegen.*

- c) **Meiden Sie den Bereich, in den sich das Elektrowerkzeug bei einem Rückschlag bewegen würde.**

*Durch den Rückschlag wird das Elektrowerkzeug ruckartig entgegen der Drehrichtung der Schleifscheibe an der Blockierstelle bewegt.*

- d) **Arbeiten Sie besonders vorsichtig im Bereich von Ecken und scharfen Kanten etc. Verhindern Sie, dass Einsatzwerkzeuge vom Werkstück zurückprallen und verklemmen.**

*An Ecken und scharfen Kanten oder beim Abprallen neigen rotierende Einsatzwerkzeuge dazu, sich zu verklemmen, was in weiterer Folge zum Verlust der Kontrolle des Werkzeugs oder zum Rückschlag führt.*

- e) **Verwenden Sie kein Ketten- oder gezähntes Sägeblatt.**

*Solche Einsatzwerkzeuge führen häufig zu Rückschlag oder zum Verlust der Kontrolle über das Elektrowerkzeug.*

---

## BESONDERE SICHERHEITSHINWEISE FÜR SCHLEIF- BZW. TRENNSCHLEIFARBEITEN

---

- a) **Verwenden Sie lediglich die für Ihr Elektrowerkzeug zugelassenen Schleifkörper und die für diese Schleifkörper vorgesehene Schutzhaube.**

*Schleifkörper, die nicht für das Elektrowerkzeug vorgesehen sind, können nicht ausreichend abgeschirmt werden und ihre Verwendung ist daher nicht sicher.*

- b) **Die Schutzhaube muss sicher am Elektrowerkzeug befestigt und so positioniert sein, dass der kleinstmögliche Teil des Schleifkörpers offen zur Bedienperson zeigt und somit ein Höchstmaß an Sicherheit garantiert wird.**

*Die Schutzhaube soll die Bedienperson vor Bruchstücken defekter Schleifkörper und versehentlichem Kontakt mit dem Schleifkörper schützen.*

- c) **Schleifkörper dürfen nur für die jeweils vorgesehenen Einsatzmöglichkeiten verwendet werden. Schleifen Sie beispielsweise nie mit der Seitenfläche einer Trennscheibe.**

*Trennscheiben sind zum Abtragen von Material durch die Scheibenkante bestimmt und können bei seitlicher Kräfteinwirkung auf den Schleifkörper zerbrechen.*

---

## RÜCKSCHLAG UND DAZU GEHÖRIGE SICHERHEITSHINWEISE

---

*Rückschlag ist die plötzliche Reaktion infolge eines Verklemmens oder Verhakens eines drehenden Schleifkörpers, eines Schleiftellers oder einer Drahtbürste etc. Dieses Verklemmen oder Verhaken führt zu einem plötzlichen Stopp des rotierenden Schleifkörpers, wodurch ein unkontrolliertes Elektrowerkzeug an der Blockierstelle ruckartig gegen die Drehrichtung des Schleifkörpers bewegt wird.*

*Wenn beispielsweise eine Schleifscheibe im Werkstück verklemt oder verhakt wird, kann sich die Kante der in die Blockierstelle eindringenden Schleifscheibe in die Oberfläche des Werkstücks graben, wodurch die Schleifscheibe ausbrechen oder einen Rückschlag verursachen kann. Je nach Drehrichtung der Scheibe an der Blockierstelle kann sich die Schleifscheibe dabei auf die Bedienperson zu oder von ihr weg bewegen. Schleifscheiben können unter diesen Umständen auch brechen.*

*Zum Rückschlag kommt es in Folge einer falschen und/oder nicht ordnungsgemäßen Verwendung des Elektrowerkzeugs. Dies kann durch geeignete Vorsichtsmaßnahmen vermieden werden, die im Folgenden beschrieben werden.*

- d) **Verwenden Sie immer unbeschädigte Flansche in der für die gewählte Schleifscheibe passenden Größe und Form.**

*Passende Flansche stützen die Schleifscheibe und verringern so die Gefahr eines Zerbrechens der Schleifscheibe. Flansche für Trennscheiben können sich von Flanschen für andere Schleifscheiben unterscheiden.*

- e) **Verwenden Sie niemals durch größere Elektrowerkzeuge abgenutzte Schleifscheiben. Für größere Elektrowerkzeuge konzipierte Schleifscheiben sind nicht für die höheren Drehzahlen kleinerer Elektrowerkzeuge ausgelegt und können brechen.**

## ALLGEMEINE SICHERHEITSHINWEISE FÜR SCHLEIFGERÄTE

- Vergewissern Sie sich, dass die auf der Scheibe angegebene Geschwindigkeit mit der Sollgeschwindigkeit des Schleifers übereinstimmt oder diese übertrifft;
- Achten Sie darauf, dass die Abmessungen der Scheibe mit dem Schleifer kompatibel sind;
- Schleifscheiben müssen sorgfältig und in Übereinstimmung mit den Anweisungen des Herstellers gelagert und verwendet werden;
- Überprüfen Sie die Schleifscheibe vor dem Einsatz, verwenden Sie keine angeschlagenen, gebrochenen oder sonstwie defekte Produkte;
- Achten Sie darauf, dass Scheiben und Gegenstücke gemäß den Anweisungen des Herstellers angebracht werden;
- Denken Sie daran, mit dem Verbundprodukt gelieferte Papierflansche zu verwenden, wenn diese benötigt werden;
- Achten Sie darauf, dass das Schleifmittel vor dem Einsatz richtig montiert und angezogen wird, lassen Sie das Werkzeug 30 Sekunden lang unbelastet in einer sicheren Position laufen, stoppen Sie das Gerät sofort, falls Sie deutliche Vibrationen oder andere Defekte bemerken sollten. Falls dies eintritt, überprüfen Sie das Gerät und versuchen Sie, die Ursache herauszufinden;
- Falls das Werkzeug mit einer Schutzeinrichtung ausgerüstet ist, benutzen Sie das Werkzeug niemals ohne diese Schutzeinrichtung;
- Verwenden Sie keine separaten Reduzierhülsen oder Adapter, um Schleifscheiben mit großem Lochdurchmesser zu montieren;
- Bei Werkzeugen, die zum Einsatz mit Gewinde-Schleifscheiben vorgesehen sind, vergewissern Sie sich, dass das Gewinde in der Scheibe lang genug ist, um die Welle in ganzer Länge aufzunehmen;
- Vergewissern Sie sich, dass das Werkstück richtig gestützt wird;
- Verwenden Sie keine Trennscheiben für seitliche Schleifarbeiten;
- Achten Sie darauf, dass bei der Arbeit entstehende Funken keine Unfälle verursachen – keine Personen treffen oder entflammare Materialien entzünden;
- Sorgen Sie dafür, dass Belüftungsöffnungen jederzeit frei bleiben, wenn Sie unter staubigen Bedingungen arbeiten. Falls Staub beseitigt werden muss, ziehen Sie zuerst den Netzstecker (verwenden Sie dafür keine Metallgegenstände) und vermeiden Sie Beschädigungen von innen liegenden Teilen;
- Tragen Sie grundsätzlich eine Schutzbrille und einen Gehörschutz. Darüber hinaus sollten Sie in eine persönliche Schutzausrüstung wie Staubmaske, Handschuhe, Helm und Schürze tragen;
- Geben Sie gut auf die Scheibe acht; nach dem Ausschalten des Werkzeuges dreht sich diese noch eine Zeit lang weiter.

## WEITERE SICHERHEITSHINWEISE ZU TRENSCHLEIFARBEITEN

- a) **Vermeiden Sie ein Blockieren der Trennscheibe oder das Ausüben übertriebenen Drucks auf die Trennscheibe. Versuchen Sie nicht, übermäßig tiefe Schnitte auszuführen.**

*Durch das Überlasten der Trennscheibe erhöht sich deren Beanspruchung und die Anfälligkeit zum Verkanten oder Blockieren und damit die Möglichkeit eines Rückschlags oder Zerbrechens des Schleifkörpers.*

- b) **Meiden Sie den Bereich vor und hinter der rotierenden Trennscheibe.**

*Bewegt sich die Trennscheibe im Werkstück von Ihnen weg, so kann im Falle eines Rückschlags das Elektrowerkzeug mit der sich drehenden Scheibe direkt auf Sie zugeschleudert werden.*

- c) **Falls die Trennscheibe verklemmt oder Sie die Arbeit aus irgendeinem Grund unterbrechen müssen, schalten Sie das Elektrowerkzeug aus und halten Sie es an derselben Stelle, bis die Scheibe völlig zum Stillstand gekommen ist. Versuchen Sie niemals, eine noch laufende Trennscheibe aus dem Schnitt zu ziehen, sonst kann dies zu einem Rückschlag führen.**

*Ermitteln und beheben Sie die Ursache für das Verklemmen der Scheibe.*

- d) **Schalten Sie das Elektrowerkzeug nicht wieder ein, solange es sich noch im Werkstück befindet. Warten Sie nach dem Einschalten bis die Trennscheibe ihre volle Geschwindigkeit erreicht hat, bevor Sie das Werkzeug vorsichtig wieder in den Schnitt einsetzen.**

*Ansonsten kann die Scheibe blockieren, aus dem Werkstück springen oder einen Rückschlag verursachen.*

- e) **Stützen Sie Platten oder übergroße Werkstücke ab, um das Risiko eines Verklemmens oder Rückschlags der Trennscheibe zu minimieren. Große Werkstücke tendieren dazu, unter ihrem Eigengewicht durchzusacken. Die Stützen müssen unter dem Werkstück in der Nähe der Schnittlinie und nahe der Kante des Werkstücks zu beiden Seiten der Scheibe angebracht werden.**

- f) **Seien Sie bei der Ausführung eines „Blindschnitts“ in Mauern oder anderen Blindbereichen besonders vorsichtig.**

*Die vorstehende Scheibe kann Gas- oder Wasserleitungsrohre, Stromkabel, oder Gegenstände durchschneiden, die einen Rückschlag verursachen können.*

## TECHNISCHE DATEN

Modell		G10SS	G12SS	G13SS
Spannung (je nach Gebiet)*		(110V, 120V, 220V, 230V, 240V) $\sim$		
Leistungsaufnahme*		580 W		
Leerlaufdrehzahl		11000 min <sup>-1</sup>		10000 min <sup>-1</sup>
Schleif- scheibe	Außendurchmesser × lochdurchmesser	100 × 16 mm	115 × 22 mm	125 × 22 mm
	Umlaufgeschwindigkeit	72 m/s	80 m/s	
Gewicht (Gerät selbst.)		1,4 kg		

\*Vergessen Sie nicht, die Produktangaben auf dem Typenschild zu überprüfen, da sich diese je nach Verkaufsgebiet ändern.

## STANDARDZUBEHÖR

- (1) Schlüssel ..... 1  
 (2) Handgriff ..... 1  
 Das Standardzubehör kann ohne vorherige Bekanntmachung jederzeit geändert werden.

## ANWENDUNGSGEBIETE

- Entfernung von Gußgrat und Endbearbeitung verschiedener Stahlqualitäten, Bronze- und Aluminiummaterialien und Gußteile.
- Schleifen von geschweißten Stücken oder von durch Brennschneiden hergestellten Abschnitten.

## VOR INBETRIEBNAHME

### 1. Netzspannung

Prüfen, daß die zu verwendende Netzspannung der Angabe auf dem Typenschild entspricht.

### 2. Netzschalter

Prüfen, daß der Netzschalter auf "AUS" steht. Wenn der Stecker an das Netz angeschlossen wird, während der Schalter auf "EIN" steht, beginnt das Werkzeug sofort zu laufen, was gefährlich ist.

### 3. Verlängerungskabel

Wenn der Arbeitsbereich nicht in der Nähe des Netzanschlusses liegt, ist ein Verlängerungskabel ausreichenden Querschnitts und ausreichender Nennleistung zu verwenden. Das Verlängerungskabel sollte so kurz wie möglich gehalten werden.

### 4. Anbringen und Einstellen der Schutzhaube

Die Schutzhaube ist eine Schutzvorrichtung, durch die Schaden verhindert werden soll, wenn die Schleifscheibe während des Betriebs zerbrechen sollte. Es ist darauf zu achten, daß die Haube ordnungsgemäß angebracht und befestigt ist, ehe mit der Schleifarbeit begonnen wird.

Durch geringfügiges Lockern der Arretierschraube kann die Schutzhaube gedreht und in jedem gewünschten Winkel zur Erzielung maximaler Leistung eingestellt werden. Es ist sicherzustellen, daß die Arretierschraube nach dem Einstellen der Schutzhaube ordnungsgemäß angezogen wird.

5. Stellen Sie sicher, daß die angebrachte Schleifscheibe und die anderen Teile entsprechend den Anweisungen des Herstellers angebracht sind. Es ist weiter darauf zu achten, daß die zu verwendende Schleifscheibe die richtige Ausführung

und ohne Risse und Oberflächenfehler ist. Es ist auch darauf zu achten, daß die Schleifscheibe richtig montiert und die Mutter der Schleifscheibe fest angezogen ist. Siehe Abschnitt "ANBRINGEN UND ABNEHMEN DER SCHLEIFSCHEIBE".

Stellen Sie sicher, daß Beilegscheiben verwendet werden, wenn diese mit Schleifscheiben aus gebundenem Schleifmittel mitgeliefert werden und erforderlich sind.

Verwenden Sie keine separaten Reduzierbuchsen oder Adapter zum Anpassen von Schleifscheiben mit einem großen Loch.

Stellen Sie für Werkzeuge für Verwendung mit einer Schleifscheibe mit Gewindeloch sicher, daß das Gewinde in der Schleifscheibe lang genug ist, um die Spindellänge aufzunehmen.

Verwenden Sie eine Trennscheibe nicht zum Seitenschleifen.

### 6. Durchführung eines Probelaufs

Stellen Sie vor der Verwendung sicher, daß das Schleiferzeugnis korrekt angebracht und fest angezogen ist, und lassen Sie das Werkzeug ohne Last 30 Sekunden an einer sicheren Position laufen. Halten Sie das Werkzeug sofort an, wenn beträchtliche Vibrationen auftreten oder Defekte festgestellt werden. Wenn ein solcher Zustand eintritt, so überprüfen Sie die Maschine, um die Ursache zu finden.

### 7. Überprüfen der Druckknopf:

Es ist zu überprüfen, ob die Druckknopf freigegeben ist, indem zwei- oder dreimal vor Einschalten des Gerätes auf die Druckknopf gedrückt wird (siehe Abb. 2).

### 8. Anbringen des Handgriffs

Den Handgriff in den Getriebedeckel einschrauben.

## PRAKTISCHE SCHLEIFARBEIT

### 1. Druck

Zur Verlängerung der Lebensdauer Maschine und für erstklassige Arbeit ist es wichtig, daß die Maschine nicht durch zu starken Druck überbelastet wird. Bei den meisten Anwendungen reicht das Gewicht der Maschine für effektives Schleifen aus. Zu starker Druck führt zu verminderter Drehzahl, unbefriedigendem Oberflächenaussehen und einer Überbelastung, die die Lebensdauer der Maschine vermindern könnte.

**2. Schleifwinkel**

Nicht die gesamte Fläche der Schleifscheibe auf das zu schleifende Material auflegen. Die Maschine sollte, wie in **Abb. 1** dargestellt ist, in einem Winkel von 15° – 30° gehalten werden, so daß die Außenkante der Schleifscheibe das Werkstück in einem optimalen Winkel berührt.

- 3.** Damit sich eine neue Schleifscheibe nicht in das Werkstück hineingräbt, sollte zu Anfang die Schleifarbeit so durchgeführt werden, daß der Winkelschleifer über das Werkstück zum Bedienungsmann gezogen wird (**Abb. 1 Richtung B**). Wenn die Vorderkante der Schleifscheibe entsprechend abgeschliffen ist, kann das Schleifen in beiden Richtungen durchgeführt werden.

**4. Vorsichtsmaßnahmen unmittelbar nach Beendigung der Arbeit**

Die Schleifscheibe dreht sich auch nach dem Ausschalten des Werkzeugs noch weiter. Nach dem Ausschalten darf die Maschine erst abgelegt werden, wenn die Schleifscheibe völlig zum Stillstand gekommen ist. Abgesehen vom Vermeiden ernsthafter Unfälle wird durch diese Vorsichtsmaßnahmen vermieden, daß Staub und Späne in die Maschine gesaugt werden.

**ACHTUNG**

- Überprüfen Sie, daß das Werkstück richtig unterstützt ist.
- Überprüfen Sie bei Arbeit an einem staubigen Ort, daß die Ventilationsöffnungen freigehalten werden. Wenn Beseitigung von Staub erforderlich werden sollte, so ziehen Sie zuerst den Stecker des Netzkabels aus der Steckdose (verwenden Sie nichtmetallische Gegenstände) und vermeiden Sie Beschädigung innerer Teile.
- Stellen Sie sicher, daß bei der Verwendung auftretende Funken keine Gefährdung darstellen, d.h. daß sie keine Personen treffen und keine entflammaren Substanzen entzünden.
- Verwenden Sie immer Augen- und Gehörschutz. Sonstige persönliche Schutzausrüstung wie eine Staubmaske, Handschuhe, ein Helm und eine Schürze sollte getragen werden, wenn sie erforderlich ist. Tragen Sie im Zweifelsfall Schutzausrüstung.
- Wenn die Maschine nicht benutzt wird, sollte der Netzstecker gezogen werden.

**ANBRINGEN UND ABNEHMEN DER SCHLEIFSCHLEIBE (Abb. 2)**

**VORSICHT** Immer den Betriebsschalter auf "Aus" stellen und den Netzstecker aus der Steckdose ziehen, um Unfälle zu vermeiden.

**1. Anbringen (Abb. 2)**

- (1) Legen Sie den Winkelschleifer mit der Oberseite nach unten hin, so dass die Spindel nach oben zeigt.
- (2) Die Beilegscheibe mit den Flachseiten auf die Einkerbungen der Spindel ausgerichtet anbringen.
- (3) Den Vorsprung der Schleifscheibe in die Beilegscheibe einpassen.
- (4) Die Schleifscheibenmutter auf die Spindel schrauben.

- (5) Den Druckknopf mit einer Hand drücken und die Spindel durch langsames Drehen der Schleifscheibe mit der anderen Hand verriegeln. Die Schleifscheibenmutter mit dem mitgelieferten Schlüssel wie in **Abb. 2** gezeigt anziehen.

**2. Abnehmen**

Beim Abnehmen wird in umgekehrter Reihenfolge vorgegangen.

**VORSICHT**

- Prüfen, ob die Schleifscheibe fest angezogen ist.
- Es ist zu überprüfen, ob die Druckknopf freigegeben ist, indem zwei- oder dreimal vor Einschalten des Gerätes auf die Druckknopf gedrückt wird.

**WARTUNG UND INSPEKTION**

**1. Überprüfung der Schleifscheibe**

Es ist darauf zu achten, daß die Schleifscheibe ohne Risse und Fehler an der Oberfläche ist.

**2. Inspektion der Befestigungsschrauben**

Alle Befestigungsschrauben werden regelmäßig inspiziert und geprüft, ob sie gut angezogen sind. Wenn sich eine der Schrauben lockert, muß sie sofort wieder angezogen werden. Geschieht das nicht, kann das zu erheblichen Gefahren führen.

**3. Inspektion der Kohlebürsten: (Abb. 3)**

Im Motor sind Kohlebürsten verwendet, die Verbrauchsteile sind. Übermäßig abgenutzte Kohlebürsten führen zu Motor, problemen. Deshalb wird eine Kohlebürste durch eine neue ersetzt, die dieselbe Nummer trägt wie auf der Abbildung gezeigt, wenn sie teilweise oder ganz verbraucht ist. Darüber hinaus müssen die Kohlebürsten immer sauber gehalten werden und müssen sich in der Halterung frei bewegen können.

**4. Austausch einer Kohlebürste:**

Der Bürstendeckel wird mit einem Steckschlüssel abmontiert. Dann kann die Kohlebürste leicht entfernt werden.

**5. Wartung des Motors**

Die Motorwicklung ist das "Herz" des Elektrowerkzeugs. Daher ist besonders sorgfältig darauf zu achten, daß die Wicklung nicht beschädigt wird und/oder mit Öl oder Wasser in Berührung kommt.

**6. Liste der Wartungsteile**

**ACHTUNG**

Reparatur, Modifikation und Inspektion von Hitachi-Elektrowerkzeugen müssen durch ein autorisiertes Hitachi-Kundendienstzentrum durchgeführt werden. Diese Teileliste ist hilfreich, wenn sie dem autorisierten Hitachi-Kundendienstzentrum zusammen mit dem Werkzeug für Reparatur oder Wartung ausgehändigt wird.

Bei Betrieb und Wartung von Elektrowerkzeugen müssen die Sicherheitsvorschriften und Normen beachtet werden.

**MODIFIKATIONEN**

Hitachi-Elektrowerkzeuge werden fortwährend verbessert und modifiziert, um die neuesten technischen Fortschritte einzubauen. Dementsprechend ist es möglich, daß einige Teile ohne vorherige Benachrichtigung geändert werden.

---

## GARANTIE

---

Auf Hitachi-Elektrowerkzeuge gewähren wir eine Garantie unter Zugrundelegung der jeweils geltenden gesetzlichen und landesspezifischen Bedingungen. Dieses Garantie erstreckt sich nicht auf Gehäusedefekte und nicht auf Schäden, die auf Missbrauch, bestimmungswidrigen Einsatz oder normalen Verschleiß zurückzuführen sind. Im Schadensfall senden Sie das nicht zerlegte Elektrowerkzeug zusammen mit dem GARANTIESCHEIN, den Sie am Ende der Bedienungsanleitung finden, an ein von Hitachi autorisiertes Servicecenter.

---

## ANMERKUNG

Aufgrund des ständigen Forschungs- und Entwicklungsprogramms von HITACHI sind Änderungen der hierin gemachten technischen Angaben nicht ausgeschlossen.

---

---

### Information über Betriebslärm und Vibration

Die gemessenen Werte wurden entsprechend EN60745 bestimmt und in Übereinstimmung mit ISO 4871 ausgewiesen.

Gemessener A-gewichteter Schallpegel: 98 dB (A)  
Gemessener A-gewichteter Schalldruck: 87 dB (A)  
Messunsicherheit KpA: 3 dB (A)

Bei der Arbeit immer einen Ohrschutz tragen.

Gesamtvibrationswerte (3-Achsen-Vektorsumme), bestimmt gemäß EN60745.

Oberflächenschleifen:

Vibrationsemissionswert **a<sub>h</sub>, AG** = 6,3 m/s<sup>2</sup>

Messunsicherheit K = 1,5 m/s<sup>2</sup>

---

## WARNUNG

- Der Vibrationsemissionswert während der tatsächlichen Benutzung des Elektrowerkzeugs kann von dem deklarierten Wert abweichen, abhängig davon, wie das Werkzeug verwendet wird.
- Zur Festlegung der Sicherheitsmaßnahmen zum Schutz des Bedieners, die auf einer Expositionseinschätzung unter den tatsächlichen Benutzungsbedingungen beruhen (unter Berücksichtigung aller Bereiche des Betriebszyklus, darunter neben der Triggerzeit auch die Zeiten, in denen das Werkzeug ausgeschaltet ist oder im Leerlaufbetrieb läuft).



## ΓΕΝΙΚΕΣ ΠΡΟΕΙΔΟΠΟΙΗΣΕΙΣ ΑΣΦΑΛΕΙΑΣ ΗΛΕΚΤΡΙΚΟΥ ΕΡΓΑΛΕΙΟΥ

### ⚠ ΠΡΟΣΟΧΗ

Διαβάζετε όλες τις προειδοποιήσεις ασφαλείας και όλες τις οδηγίες.

Η μη τήρηση των προειδοποιήσεων και οδηγιών μπορεί να προκαλέσει ηλεκτροπληξία, πυρκαγιά και/ή σοβαρό τραυματισμό.

Φυλάξτε όλες τις προειδοποιήσεις και τις οδηγίες για **μελλοντική αναφορά**.

Ο όρος "ηλεκτρικό εργαλείο" στις προειδοποιήσεις αναφέρεται στο ηλεκτρικό εργαλείο (με καλώδιο) που λειτουργεί στους αγωγούς ή στο ηλεκτρικό εργαλείο που λειτουργεί στη μπαταρία (χωρίς καλώδιο).

### 1) Ασφάλεια χώρου εργασίας

- Διατηρείτε το χώρο εργασίας καθαρό και καλά φωτισμένο.**  
Σε ακατάστατες ή σκοτεινές περιοχές μπορεί να προκληθούν ατυχήματα.
- Μην χρησιμοποιείτε τα ηλεκτρικά εργαλεία σε περιβάλλον, στο οποίο μπορεί να προκληθεί έκρηξη, όπως παρουσία εύφλεκτων υγρών, αερίων ή σκόνης.** Τα ηλεκτρικά εργαλεία δημιουργούν σπινθήρες, οι οποίοι μπορεί να αναφλέξουν τη σκόνη ή τον καπνό.
- Κρατήστε τα παιδιά και τους παρευρισκόμενους μακριά όταν χρησιμοποιείτε ένα ηλεκτρικό εργαλείο.** Αν αποσπαστεί η προσοχή σας, υπάρχει κίνδυνος να χάσετε τον έλεγχο.

### 2) Ηλεκτρική ασφάλεια

- Τα φως των ηλεκτρικών εργαλείων πρέπει να είναι κατάλληλα για τις πρίζες.**  
Μην τροποποιήσετε ποτέ το φως με οποιονδήποτε τρόπο.  
Μη χρησιμοποιείτε φως προσαρμογής με γειωμένα ηλεκτρικά εργαλεία.  
Τα μη τροποποιημένα φως και οι κατάλληλες πρίζες μειώνουν τον κίνδυνο ηλεκτροπληξίας.
- Αποφύγετε τη σωματική επαφή με γειωμένες επιφάνειες όπως σωλήνες, θερμάστρες, μαγειρικές συσκευές και ψυγεία.**  
Υπάρχει αυξημένος κίνδυνος ηλεκτροπληξίας όταν το σώμα σας είναι γειωμένο.
- Μην εκθέτετε τα ηλεκτρικά εργαλεία στη βροχή ή σε συνθήκες υγρασίας.**  
Το νερό που εισέρχεται σε ένα ηλεκτρικό εργαλείο αυξάνει τον κίνδυνο ηλεκτροπληξίας.
- Μην ασκείτε δύναμη στο καλώδιο. Μη χρησιμοποιείτε ποτέ το καλώδιο για να μεταφέρετε, να τραβήξετε ή να θάλετε από την πρίζα το ηλεκτρικό εργαλείο.**  
Κρατήστε το καλώδιο μακριά από θερμότητα, λάδι, κοφτερές γωνίες και κινούμενα μέρη.  
Τα κατεστραμμένα ή μπερδεμένα καλώδια αυξάνουν τον κίνδυνο ηλεκτροπληξίας.
- Όταν χρησιμοποιείτε το εργαλείο σε εξωτερικό χώρο, χρησιμοποιήστε καλώδιο προέκτασης που προορίζεται για χρήση σε εξωτερικό χώρο.**  
Η χρήση ενός καλώδιου κατάλληλου για εξωτερικό χώρο μειώνει τον κίνδυνο ηλεκτροπληξίας.
- Αν είναι αναπόφευκτη η λειτουργία ενός ηλεκτρικού εργαλείου σε χώρο με υγρασία, χρησιμοποιείτε διάταξη προστασίας ρεύματος διαρροής (RCD).**  
Η χρήση της RCD μειώνει τον κίνδυνο ηλεκτροπληξίας.

### 3) Προσωπική ασφάλεια

- Να είστε σε ετοιμότητα, να βλέπετε αυτό που κάνετε και να χρησιμοποιείτε την κοινή λογική όταν χρησιμοποιείτε ένα ηλεκτρικό εργαλείο.**  
Μη χρησιμοποιείτε ηλεκτρικά εργαλεία όταν είστε κουρασμένοι ή υπό την επίδραση ναρκωτικών ουσιών, οινοπνεύματος ή φαρμάκων.  
Μια στιγμή απροσεξίας κατά τη χρήση ενός ηλεκτρικού εργαλείου μπορεί να προκαλέσει σοβαρό προσωπικό τραυματισμό.
- Χρησιμοποιείτε προσωπικό προστατευτικό εξοπλισμό. Φοράτε πάντα προστασία για τα μάτια.**  
Ο προστατευτικός εξοπλισμός, όπως μάσκα για τη σκόνη, αντιολισθητικά παπούτσια, σκληρό καπέλο ή προστασία για τα αυτιά, που χρησιμοποιείται για ανάλογες συνθήκες μπορεί να μειώσει τους τραυματισμούς.
- Προλαμβάνετε τυχόν ακούσια εκκίνηση. Βεβαιωθείτε ότι ο διακόπτης είναι σε θέση απενεργοποίησης πριν συνδέσετε τη συσκευή με πηγή ρεύματος και/ή τη θήκη της μπαταρίας, πριν σβήσετε ή μεταφέρετε το εργαλείο.**  
Η μεταφορά ηλεκτρικού εργαλείου με τα δάχτυλά σας στο διακόπτη ή η ηλεκτροδότηση ηλεκτρικού εργαλείου με ενεργοποιημένο το διακόπτη μπορεί να προκαλέσουν ατυχήματα.
- Να αφαιρείτε τυχόν κλειδιά ρυθμιζόμενου ανοιγματος ή τα απλά κλειδιά πριν θέσετε σε λειτουργία το ηλεκτρικό εργαλείο.**  
Ένα απλό κλειδί ή ένα κλειδί ρυθμιζόμενου ανοιγματος που είναι προσαρτημένο σε περιστρεφόμενο εξάρτημα του ηλεκτρικού εργαλείου μπορεί να προκαλέσει προσωπικό τραυματισμό.
- Μην ντυνόμενα. Να διατηρείτε πάντοτε το κατάλληλο πάτημα και την ισορροπία σας.**  
Με αυτόν τον τρόπο μπορείτε να ελέγχετε καλύτερα το ηλεκτρικό εργαλείο σε μη αναμενόμενες καταστάσεις.
- Να είστε ντυμένοι κατάλληλα. Μη φοράτε φαρδιά ρούχα ή κοσμήματα. Να κρατάτε τα μαλλιά σας, τα ρούχα σας και τα γάντια σας μακριά από κινούμενα μέρη.**  
Τα φαρδιά ρούχα, τα κοσμήματα και τα μακριά μαλλιά μπορεί να πιαστούν σε κινούμενα μέρη.
- Αν παρέρχονται εξαρτήματα για τη σύνδεση συσκευών εξαγωγής και συλλογής σκόνης, να βεβαιώνετε ότι είναι συνδεδεμένα και χρησιμοποιούνται με το σωστό τρόπο.**  
Η χρήση συλλέκτη σκόνης μειώνει τους κινδύνους που προέρχονται από τη σκόνη.

### 4) Χρήση κα φροντίδα ηλεκτρικών εργαλείων

- Μην ασκείτε δύναμη στο ηλεκτρικό εργαλείο. Να χρησιμοποιείτε το ηλεκτρικό εργαλείο που είναι κατάλληλο για το είδος της εργασίας που εκτελείτε.**  
Το κατάλληλο ηλεκτρικό εργαλείο θα εκτελέσει την εργασία καλύτερα και με μεγαλύτερη διάρκεια με τον τρόπο που σχεδιάστηκε.
- Μη χρησιμοποιήσετε το ηλεκτρικό εργαλείο αν ο διακόπτης λειτουργίας δεν ανοίγει και δεν κλείνει.**  
Ένα ηλεκτρικό εργαλείο που δεν ελέγχεται από το διακόπτη λειτουργίας είναι επικίνδυνο και πρέπει να επισκευαστεί.
- Αποσυνδέετε το βύσμα από την πηγή ισχύος και/ή τη θήκη μπαταρίας από το ηλεκτρικό εργαλείο πριν προβείτε σε ρυθμίσεις, αλλαγή εξαρτήματος ή αποθήκευση του ηλεκτρικού εργαλείου.**  
Αυτά τα προληπτικά μέτρα ασφαλείας μειώνουν τον κίνδυνο να ξεκινήσει το ηλεκτρικό εργαλείο κατά λάθος.

- d) Αποθηκεύετε τα εργαλεία που δεν χρησιμοποιείτε μακριά από παιδιά και μην αφήνετε τα άτομα που δεν είναι εξοικειωμένα με το ηλεκτρικό εργαλείο ή με αυτές τις οδηγίες να χρησιμοποιούν το ηλεκτρικό εργαλείο.  
Τα ηλεκτρικά εργαλεία είναι επικίνδυνα στα χέρια μη εκπαιδευμένων ατόμων.
- e) **Συντηρείτε τα ηλεκτρικά εργαλεία. Να ελέγχετε την ευθυγράμμιση τους ή το μπλοκάρισμα των κινούμενων μερών, τη θραύση των εξαρτημάτων και οποιαδήποτε άλλη κατάσταση που ενδέχεται να επηρεάσει τη λειτουργία του ηλεκτρικού εργαλείου. Σε περίπτωση βλάβης, το ηλεκτρικό εργαλείο πρέπει να επισκευαστεί πριν χρησιμοποιηθεί.**  
Πολλά ατυχήματα προκαλούνται από ηλεκτρικά εργαλεία που δεν έχουν συντηρηθεί σωστά.
- f) **Διατηρείτε τα εργαλεία κοπής κοφτερά και καθαρά.** Τα κατάλληλα συντηρημένα εργαλεία κοπής με κοφτερές γωνίες μπλοκάρουν πιο δύσκολα και ελέγχονται πιο εύκολα.
- g) **Χρησιμοποιείτε το ηλεκτρικό εργαλείο, τα εξαρτήματα και τα μέρη κ.τ.λ. σύμφωνα με τις παρούσες οδηγίες, λαμβάνοντας υπόψη τις συνθήκες εργασίας και την εργασία που θα εκτελέσετε.**  
Η χρήση του ηλεκτρικού εργαλείου για εργασίες πέρα από εκείνες για τις οποίες προορίζεται, ενδέχεται να δημιουργήσει κινδύνους.
- 5) **Σέρβις**
- a) **Να δίνετε το ηλεκτρικό εργαλείο για σέρβις σε κατάλληλα εκπαιδευμένα άτομα και να χρησιμοποιείτε μόνο γνήσια ανταλλακτικά.**  
Με αυτόν τον τρόπο είστε σίγουροι για την ασφάλεια του ηλεκτρικού εργαλείου.

## ΠΡΟΦΥΛΑΞΗ

Μακριά από τα παιδιά και τους αναπήρους.  
Όταν δεν χρησιμοποιούνται, τα εργαλεία πρέπει να φυλάσσονται μακριά από τα παιδιά και τους αναπήρους.

## ΠΡΟΕΙΔΟΠΟΙΗΣΕΙΣ ΑΣΦΑΛΕΙΑΣ ΚΟΙΝΕΣ ΓΙΑ ΤΡΟΧΙΣΜΑ Η ΤΡΑΧΥ ΠΡΙΟΝΙΣΜΑ

- a) Αυτό το ηλεκτρικό εργαλείο προορίζεται για λειτουργία τροχίσματος ή κοπής. Διαβάζετε όλες προειδοποιήσεις ασφαλείας, τις οδηγίες, τις εικόνες και τις προδιαγραφές που παρέχονται με το ηλεκτρικό εργαλείο.  
Η μη τήρηση των οδηγιών που αναφέρονται παρακάτω μπορεί να προκαλέσει ηλεκτροπληξία, πυρκαγιά και/ή σοβαρό τραυματισμό.
- b) **Ενέργειες, όπως η επίστρωση με άμμο, ο καθαρισμός με συρματόδουρα ή το γυάλισμα δεν συνιστώνται με αυτό το ηλεκτρικό εργαλείο.**  
Ενέργειες για τις οποίες δεν σχεδιάστηκε το ηλεκτρικό εργαλείο μπορούν να αποτελέσουν κίνδυνο και να προκαλέσουν τραυματισμό.
- c) **Μην χρησιμοποιείτε εξαρτήματα που δεν είναι ειδικά σχεδιασμένα και δεν συνιστώνται από τον κατασκευαστή.**  
Το γεγονός ότι το εξάρτημα προσαρτάται στο ηλεκτρικό σας εργαλείο δεν σημαίνει ότι έτσι διασφαλίζεται η ασφαλής λειτουργία του.
- d) **Η ονομαστική ταχύτητα του εξαρτήματος πρέπει να ισοδυναμεί τουλάχιστον με τη μέγιστη ταχύτητα που αναφέρεται στο ηλεκτρικό εργαλείο.**  
Τα εξαρτήματα που έχουν μεγαλύτερη ταχύτητα από την ονομαστική ταχύτητα μπορεί να σπασούν και να εκτοξευθούν μακριά.
- e) **Η εξωτερική διάμετρος και το πάχος του εξαρτήματός σας πρέπει να βρίσκεται εντός της ονομαστικής τιμής όγκου του ηλεκτρικού σας εργαλείου.**  
Δεν είναι δυνατή η επαρκής προστασία και ο έλεγχος εξαρτημάτων με λάθος υπολογισμό μεγέθους.
- f) **Το μέγεθος των τροχών, των φλαντζών, των πίσω περιθλήματων ή άλλων εξαρτημάτων πρέπει να ταιριάζουν απόλυτα στον άξονα του ηλεκτρικού εργαλείου.**  
Τα εξαρτήματα με σπές που δεν ταιριάζουν στο πλαισιωμένο υλικό του ηλεκτρικού εργαλείου δεν θα έχουν ισορροπία, θα δονούνται υπερβολικά και μπορεί να προκαλέσουν απώλεια ελέγχου.
- g) **Μην χρησιμοποιείτε κατεστραμμένα εξαρτήματα. Πριν από κάθε χρήση ελέγχετε το εξάρτημα, όπως τους τροχούς Λείανσης για θραύσματα και σχισμές ή υπερβολική φθορά, τη συρματίνη θούρτσα για χαλαρά ή σπασμένα σύρματα. Αν το ηλεκτρικό εργαλείο ή το εξάρτημα πέσουν, ελέγχετε να ζημιές ή εγκαταστήστε ένα ακέραιο εξάρτημα. Μετά τον έλεγχο και την εγκατάσταση του εξαρτήματος, απομακρυνθείτε, και υποδείξτε το ίδιο σε όσους βρίσκονται γύρω, από την πτέρυγα του περιστρεφόμενου εξαρτήματος και λειτουργήστε το ηλεκτρικό εργαλείο στη μέγιστη ταχύτητα μη φόρτισης για ένα λεπτό.**  
Τα κατεστραμμένα εξαρτήματα θα διαλυθούν κατά τη διάρκεια αυτή της δοκιμής.
- h) **Φοράτε προστατευτικό εξοπλισμό. Ανάλογα με την ενέργεια, χρησιμοποιείτε μάσκα για το πρόσωπο, μάσκα οξυγονοκόλλησης ή προστατευτικά γυαλιά. Όπως αρμόζει, φοράτε μάσκα για τη σκόνη, προστατευτικά για τα αυτιά, γάντια και στολή συνεργείου που μπορεί να σας προστατέψει από μικρά τραχιά θραύσματα.**  
Η προστασία για τα μάτια πρέπει να σας προστατεύει από τα μικρά θραύσματα. Η μάσκα για τη σκόνη ή ο αναπνευστήρας πρέπει να φιλτράρουν τα σωματίδια που παράγονται κατά τις εργασίες σας. Η παρατεταμένη έκθεση σε υψηλή ένταση ήχου μπορεί να επιφέρει απώλεια ακοής.
- i) **Διατηρείτε τους γύρω σας σε ασφαλή απόσταση από την περιοχή εργασίας σας. Οποιοσδήποτε εισέρχεται στην περιοχή εργασίας σας πρέπει να φοράει προστατευτικό εξοπλισμό.**  
Μπορεί να εκτοξευθούν θραύσματα ή ένα χαλασμένο εξάρτημα και να προκαλέσει τραυματισμό πέρα από την περιοχή εργασίας σας.
- ii) **Κρατάτε το ηλεκτρικό εργαλείο μόνο από τις μωνωμένες λαβές, όταν εκτελείτε μια ενέργεια κατά την οποία το εξάρτημα κοπής μπορεί να έρθει σε επαφή με το κρυφό σύρμα ή το καλώδιο του.**  
Το εξάρτημα κοπής που έρχεται σε επαφή με "ενεργο" καλώδιο μπορεί να "ενεργοποιήσει" τα εκτεθειμένα μεταλλικά μέρη του ηλεκτρικού εργαλείου και να τινάξει το χειριστή.
- k) **Τοποθετείτε το καλώδιο χωρίς το περιστρεφόμενο εξάρτημα.**  
Αν χάσετε τον έλεγχο, το καλώδιο μπορεί να κοπεί ή να σκιστεί και το χέρι σας να βρεθεί μέσα στο περιστρεφόμενο εξάρτημα.
- l) **Ποτέ μην αποθέτετε κάτω το ηλεκτρικό εργαλείο πριν σταματήσει τελείως η λειτουργία του εξαρτήματος.**  
Το περιστρεφόμενο εξάρτημα μπορεί να αρπάξει την επιφάνεια και να χάσετε τον έλεγχο του ηλεκτρικού εργαλείου.

**m) Το ηλεκτρικό εργαλείο δεν πρέπει να λειτουργεί ενώ το μεταφέρετε.**

Μια τυχαία επαφή με το περιστρεφόμενο εξάρτημα θα μπορούσε να πιάσει τα ρούχα σας τραβώντας το εξάρτημα προς το σώμα σας.

**n) Καθαρίζετε τακτικά τις οπές αερισμού του ηλεκτρικού εργαλείου.**

Ο ανεμιστήρας του μοτέρ απορροφάει τη σκόνη στο περίβλημα και η υπερβολική συγκέντρωση ρινοισμάτων μπορεί να προκαλέσει ηλεκτρικούς κινδύνους.

**o) Μην χρησιμοποιείτε το ηλεκτρικό εργαλείο κοντά σε εύφλεκτα υλικά.**

Οι σπινθήρες μπορεί να αναφλέξουν αυτά τα υλικά.

**p) Μην χρησιμοποιείτε εξαρτήματα που χρειάζονται ψυκτικό υγρό.**

Η χρήση νερού ή άλλων ψυκτικών υγρών μπορεί να προκαλέσει θανατηφόρα ηλεκτροπληξία.

Οι γωνίες, τα αιχμηρά άκρα ή η αναπήδηση έχουν την τάση να φθείρουν το περιστρεφόμενο εξάρτημα και να προκαλούν απώλεια ελέγχου ή λάκτισμα.

**e) Μην αναρτάτε λάμα κοπής ξύλου αλυσοπριονίου ή οδοντωτή λάμα πριονιού.**

Οι λάμες αυτές δημιουργούν συχνά λακτίσματα και προκαλούν απώλεια ελέγχου.

---

**ΠΡΟΕΙΔΟΠΟΙΗΣΕΙΣ ΑΣΦΑΛΕΙΑΣ ΕΙΔΙΚΕΣ ΓΙΑ ΤΡΟΧΙΣΜΑ Η ΤΡΑΧΥ ΠΡΙΟΝΙΣΜΑ**


---

**a) Χρησιμοποιείτε μόνο τύπους τροχών που συνιστώνται για το δικό σας ηλεκτρικό εργαλείο και το ειδικό προστατευτικό που είναι σχεδιασμένο ειδικά για τον επιλεγμένο τροχό.**

Τροχού για τους οποίους δεν σχεδιάστηκε το ηλεκτρικό εργαλείο δεν μπορούν να ελεγχθούν επαρκώς και δεν είναι ασφαλείς.

**b) Το προστατευτικό πρέπει να είναι σωστά αναρτημένο στο ηλεκτρικό εργαλείο και να τοποθετείται για μέγιστη ασφάλεια έτσι ώστε να εκτίθεται όσο το δυνατόν μικρότερο μέρος του τροχού στον χειριστή.**

Το προστατευτικό βοηθά στην προστασία του χειριστή από θραύσματα τροχού και από εκούσια επαφή με τον τροχό.

**c) Οι τροχοί πρέπει να χρησιμοποιούνται μόνο για τις συνιστώμενες εφαρμογές. Για παράδειγμα: μην ακονίζετε με το πλάι του τροχού πριονίσματος.**

Οι λειαντικοί τροχοί πριονίσματος σχεδιάστηκαν για περιμετρικό ακόνισμα. Οι πλευρικές δυνάμεις που ασκούνται σε αυτούς τους τροχούς μπορεί να προκαλέσουν τη θραύση τους.

**d) Χρησιμοποιείτε πάντα άφθαρτες φλάντζες τροχών που έχουν το σωστό μέγεθος και σχήμα για τον επιλεγμένο τροχό.**

Οι κατάλληλες φλάντζες υποστηρίζουν τον τροχό και ελαττώνουν την πιθανότητα θραύσης. Οι φλάντζες για τροχούς πριονίσματος μπορεί να διαφέρουν από τις φλάντζες για τροχούς ακονίσματος.

**e) Μην χρησιμοποιείτε φθαρμένους τροχούς από μεγαλύτερα ηλεκτρικά εργαλεία.**

Τροχός, σχεδιασμένος για μεγαλύτερο ηλεκτρικό εργαλείο είναι ακατάλληλος για τη μεγαλύτερη ταχύτητα ενός μικρότερου εργαλείου και μπορεί να σκάσει.

---

**ΠΡΟΣΘΕΤΕΣ ΠΡΟΕΙΔΟΠΟΙΗΣΕΙΣ ΑΣΦΑΛΕΙΑΣ ΕΙΔΙΚΕΣ ΓΙΑ ΤΡΟΧΙΣΜΑ Η ΤΡΑΧΥ ΠΡΙΟΝΙΣΜΑ**


---

**a) Μην μπλοκάρτε τον τροχό πριονίσματος και μην ασκείτε υπερβολική πίεση. Μην επιχειρήσετε να κόψετε σε υπερβολικό βάθος.**

Η άσκηση υπερβολικής πίεσης στον τροχό αυξάνει το φορτίο και την τάση στρέβλωσης του τροχού στην τομή και την πιθανότητα λακτίσματος ή θραύσης του τροχού.

**b) Μην τοποθετείτε το σώμα σας σε ευθεία με τον περιστρεφόμενο τροχό ή πίσω από αυτόν.**

Όταν κατά τη λειτουργία του ο τροχός απομακρύνεται από το σώμα σας, το πιθανό λάκτισμα μπορεί να τινάξει τον περιστρεφόμενο τροχό και να ωθήσει με δύναμη τη ηλεκτρικό εργαλείο προς το μέρος σας.

---

**ΛΑΚΤΙΣΜΑ ΚΑΙ ΣΧΕΤΙΚΕΣ ΠΡΟΕΙΔΟΠΟΙΗΣΕΙΣ**


---

Λάκτισμα ονομάζεται η ξαφνική αντίδραση σε ένα ραγισμένο ή φθαρμένο περιστρεφόμενο τροχό με προεξοχές, βάση αλοιφαδούρου, βούρτσα ή οποιοδήποτε άλλο εξάρτημα. Το ράγισμα ή το σκίσιμο προκαλούν απότομο σταμάτημα του περιστρεφόμενου εξαρτήματος, το οποίο με τη σειρά του προκαλεί την ώθηση του ανεξέλεγκτου ηλεκτρικού εργαλείου προς μία διεύθυνση αντίθετη από την περιστροφή του εξαρτήματος στο σημείο της εμπλοκής.

Εάν, για παράδειγμα, ένας τροχός λείανσης σκιστεί ή ραγίσει από το τεμάχιο εργασίας, το άκρο του τροχού που εισάγεται στο σημείο θραύσης μπορεί να σκάψει την επιφάνεια του υλικού, προκαλώντας την ανεξέλεγκτη έξοδο ή το λάκτισμα του τροχού. Ο τροχός μπορεί να αναπηδήσει προς το χειριστή ή προς την αντίθετη κατεύθυνση από αυτόν, ανάλογα με τη διεύθυνση της κίνησης του τροχού τη στιγμή της θραύσης. Οι τροχοί λείανσης μπορεί επίσης να σπάσουν υπό αυτές τις συνθήκες.

Το λάκτισμα είναι αποτέλεσμα της εσφαλμένης μεταχείρισης του ηλεκτρικού εργαλείου και/ή εσφαλμένων λειτουργικών διαδικασιών ή συνθηκών και μπορεί να αποφευχθεί με τη λήψη των κατάλληλων προφυλάξεων, όπως περιγράφεται στη συνέχεια.

**a) Κρατάτε σταθερά το ηλεκτρικό εργαλείο και τοποθετήστε το σώμα και το χέρι σας έτσι, ώστε να μπορείτε να αντισταθείτε σε δυνάμεις ανάκρουσης. Χρησιμοποιείτε πάντα μία βοηθητική λαβή, εάν παρέχεται, για μέγιστο έλεγχο του λακτίσματος ή αντίδραση ροπής κατά την εκκίνηση.**

Ο χειριστής μπορεί να ελέγχει τις αντιδράσεις ροπής ή τις δυνάμεις ανάκρουσης, εάν έχουν ληφθεί τα κατάλληλα μέτρα προφύλαξης.

**b) Μην έχετε ποτέ το χέρι σας κοντά στο περιστρεφόμενο εξάρτημα.**

Το εξάρτημα μπορεί να λακτίσει πάνω από το χέρι σας.

**c) Μην τοποθετείτε το σώμα σας στην περιοχή που θα κινηθεί το ηλεκτρικό εργαλείο, εάν λακτίσει.**

Το λάκτισμα θα τινάξει το εργαλείο προς την αντίθετη διεύθυνση από την κίνηση του τροχού τη στιγμή της θραύσης.

**d) Να είστε ιδιαίτερα προσεκτικοί όταν εργάζεστε σε γωνίες, αιχμηρά άκρα κ.λπ. Αποφύγετε την αναπήδηση και τη φθορά του εξαρτήματος.**

- c) Όταν ο τροχός "κολλήσει" ή όταν διακόπτετε μία τομή για οποιοδήποτε λόγο, απενεργοποιήστε το ηλεκτρικό εργαλείο και κρατήστε το ακίνητο εσάτου ακινητοποιηθεί τελείως ο τροχός. Μην επιχειρήσετε ποτέ να απομακρύνετε τον τροχό πριν ολοκληρωθεί η τομή, ενώ κινείται, γιατί μπορεί να προκύψει λάκτισμα.  
Ερευνήστε και λάβετε διορθωτικά μέτρα για να ελαττώσετε την αιτία εμπλοκής του τροχού.
- d) Μην προσαρμόσετε να συνεχίσετε την τομή στο υλικό που επεξεργάζεστε. Αφήστε τον τροχό να φτάσει στην τελική του ταχύτητα και ξαναδοκιμάστε προσεκτικά στην τομή.  
Ο τροχός μπορεί να "κολλήσει", να μετατοπιστεί ή να λακτίσει, εάν θέσετε το εργαλείο σε λειτουργία όταν βρίσκεται μέσα στο υλικό που επεξεργάζεστε.
- e) Στηρίξτε τις επιφάνειες ή οποιοδήποτε υπερμεγέθους υλικό για την ελαχιστοποίηση του κινδύνου μαγκώματος του τροχού και της επιστροφής.  
Τα μεγάλα υλικά τείνουν να χαλαρώνουν υπό το βάρος τους. Πρέπει να τοποθετούνται στηρίγματα κοντά στη γραμμική κοπή και κοντά στην άκρη του υλικού και στις δύο πλευρές του τροχού.
- f) Δώστε ιδιαίτερη προσοχή όταν κάνετε ένα "κόψιμο σχήματος τσέπης" σε ήδη υπάρχοντες τοίχους ή άλλα τυφλά σημεία.  
Ο εξέχων τροχός μπορεί να κόψει σωλήνες αερίου ή νερού, ηλεκτρικά καλώδια ή αντικείμενα που μπορούν να προκαλέσουν επιστροφή.
- Σιγουρευτείτε ότι τοποθετημένοι δίσκοι και οι σημάνσεις έχουν προσαρμοστεί σύμφωνα με τις οδηγίες του κατασκευαστή.
  - Σιγουρευτείτε ότι τα στυπόχαρτα έχουν χρησιμοποιηθεί όταν παρέχονται με το συγκολλημένο λειαντικό προϊόν λειάνσεως και όταν χρειάζονται.
  - Σιγουρευτείτε ότι το προϊόν λειάνσεως έχει τοποθετηθεί σωστά και σφικτεί πριν τη χρήση και λειτουργεί στο εργαλείο για 30 δευτερόλεπτα χωρίς φορτίο και σε μια ασφαλή θέση, σταματήστε αμέσως αν υπάρχει υπερβολική δόνηση ή παρατηρήσετε άλλες δυσλειτουργίες. Σ' αυτή τη περίπτωση, ελέγξτε το μηχάνημα για να διαπιστώσετε την αιτία.
  - Εάν το εργαλείο είναι εφοδιασμένο με κάποιο προστατευτικό, ποτέ μη χρησιμοποιήσετε το εργαλείο χωρίς αυτό το προστατευτικό.
  - Μη χρησιμοποιήτε πρόσθετες ροδέτες μείωσης ή προσαρμογές για να προσαρμόσετε δίσκους με μεγάλη τρύπα.
  - Για εργαλεία φτιαγμένα να δέχονται τροχούς με τρύπα, σιγουρευτείτε ότι η τρύπα του δίσκου είναι αρκετά μεγάλη για να δεχθεί το μέγεθος του άξονα.
  - Φροντίστε το αντικείμενο εργασίας να είναι καλά στηριγμένο.
  - Μη χρησιμοποιήτε δίσκο κοπής για πλευρικό τρόχισμα.
  - Σιγουρευτείτε ότι οι σπινθήρες από τη χρήση δεν δημιουργούν κινδύνους, π.χ. δεν χτυπούν ανθρώπους ή πυροδοτούν εύφλεκτες ουσίες.
  - Σιγουρευτείτε ότι τα ανοίγματα αερισμού είναι ελεύθερα όταν εργάζεστε σε συνθήκες σκονισμένη, εάν χρειαστεί να αφαιρέσετε σκόνη, πρώτα αποσυνδέστε το εργαλείο από το ρεύμα (μη χρησιμοποιήτε μεταλλικά αντικείμενα) και προσέξτε να μη προξενήσετε ζημιά στα εσωτερικά μέρη.
  - Πάντα να χρησιμοποιήτε προστασία για τα μάτια και τα αυτιά. Άλλοι προστατευτικοί εξοπλισμοί όπως μάσκα σκόνης, γάντια, κράνος και ποδιά θα πρέπει να χρησιμοποιούνται.
  - Προσέξτε τον δίσκο που συνεχίζει να περιστρέφεται μετά το σβήσιμο του εργαλείου.

## ΓΕΝΙΚΕΣ ΟΔΗΓΙΕΣ ΑΣΦΑΛΕΙΑΣ ΓΙΑ ΤΡΟΧΟΥΣ

- Ελέγξτε η ένδειξη ταχύτητας του δίσκου να είναι ίση ή μεγαλύτερη από την ένδειξη ταχύτητας του τροχού.
- Σιγουρευτείτε ότι οι διαστάσεις του δίσκου είναι συμβατές με τον τροχό.
- Οι δίσκοι λειάνσεως πρέπει να φυλάσσονται και χειρίζονται με προσοχή σύμφωνα με τις οδηγίες του κατασκευαστή.
- Ελέγξτε τον δίσκο πριν τη χρήση, μη χρησιμοποιήτε σπασμένα, ραγισμένα ή με άλλο τρόπο ελαττωματικά προϊόντα.

## ΤΕΧΝΙΚΑ ΧΑΡΑΚΤΗΡΙΣΤΙΚΑ

Μοντέλο	G10SS	G12SS	G13SS
Τάση (ανά περιοχές)*	(110V, 120V, 220V, 230V, 240V) ~		
Ισχύς εισόδου*	580 W		
Ταχύτητα χωρίς φορτίο	11000 min <sup>-1</sup>		10000 min <sup>-1</sup>
Τροχός	Εξωτερική διάμετρος x διαμ. τρύπας	100 x 16 mm	115 x 22 mm
	Περιφερειακή ταχύτητα	72 m/s	80 m/s
Βάρος (Μόνο του κυρίου μέρους)	1,4 kg		

\*Βεβαιωθείτε να ελέγξετε την πινακίδα στο προϊόν επειδή υπόκεινται σε αλλαγή σε εξάρτηση από την περιοχή.

## ΚΑΝΟΝΙΚΑ ΕΞΑΡΤΗΜΑΤΑ

- (1) Κλειδί..... 1
  - (2) Πλευρική λαβή..... 2
- Τα κανονικά εξαρτήματα μπορούν να αλλάξουν χωρίς προειδοποίηση.

## ΕΦΑΡΜΟΓΕΣ

- Αφαίρεση των υλικών που παραμένουν στις οπές χυτών αντικειμένων και τελειώματα διάφορων τύπων ατσάλι, χαλκού και υλικών αλουμινίου και χυτών υλικών.

- Λείανση ηλεκτροκολλημένων τμημάτων ή τμημάτων που έχουν κοπεί από φλόγιστρο.

## ΠΡΙΝ ΤΗ ΛΕΙΤΟΥΡΓΙΑ

### 1. Πηγή ρεύματος

Βεβαιωθείτε ότι η πηγή ρεύματος που πρόκειται να χρησιμοποιηθεί είναι αναρμονισμένη με τις απαιτήσεις σε ρεύμα που αναφέρεται στην πινακίδα του εργαλείου.

### 2. Διακόπτης ρεύματος

Βεβαιωθείτε ότι ο διακόπτης ρεύματος βρίσκεται στη θέση OFF. Αν το βίωμα είναι στη μπρίζα καθώς ο διακόπτης ρεύματος βρίσκεται στο ON, το εργαλείο θα αρχίσει να λειτουργεί αμέσως, με πιθανότητα πρόκλησης σοβαρού ατυχήματος.

### 3. Καλώδιο προέκτασης

Όταν ο χώρος εργασίας βρίσκεται μακριά από την παροχή ρεύματος, χρησιμοποιήστε ένα καλώδιο προέκτασης με κατάλληλο πάχος και ικανότητα μεταφοράς ρεύματος. Το καλώδιο προέκτασης πρέπει να είναι τόσο κοντό όσο είναι πρακτικά δυνατό.

### 4. Τοποθέτηση και ρύθμιση του προφυλακτήρα του τροχού

Ο προφυλακτήρας του τροχού είναι μια προστατευτική συσκευή για την αποφυγή τραυματισμού στην περίπτωση που ο χαμηλωμένος κεντρικά τροχός θρυσματιστεί κατά την λειτουργία. Βεβαιωθείτε ότι ο προφυλακτήρας είναι κατάλληλα συνδεδεμένος και στερεωμένος πριν εκτελέσετε την λειτουργία της λείανσης.

Ξεσφιγόντας ελαφρά την ρυθμιστική βίδα, ο προφυλακτήρας του τροχού μπορεί να περιστραφεί και να ρυθμιστεί στην επιθυμητή γωνία για την εξασφάλιση της μέγιστης λειτουργικής απόδοσης. Βεβαιωθείτε ότι η ρυθμιστική βίδα είναι καλά σφιγμένη μετά την ρύθμιση του προφυλακτήρα του τροχού.

### 5. Βεβαιωθείτε ότι οι τροχοί στερέωσης και τα άκρα έχουν συνδεθεί σύμφωνα με τις οδηγίες του κατασκευστή.

Βεβαιωθείτε ότι ο χαμηλωμένος κεντρικά τροχός, που πρόκειται να χρησιμοποιηθεί είναι του σωστού τύπου και χωρίς ραγίσματα και ατέλειες στην επιφάνεια. Επίσης βεβαιωθείτε ότι ο χαμηλωμένος κεντρικά τροχός έχει στερεωθεί κατάλληλα και το παξιμάδι του τροχού είναι σφιγμένο με ασφάλεια. Ανατρέξτε στο τμήμα “ΣΥΝΑΡΜΟΛΟΓΗΣΗ ΚΑΙ ΑΠΟΣΥΝΑΡΜΟΛΟΓΗΣΗ ΤΟΥ ΧΑΜΗΛΩΜΕΝΟΥ ΚΕΝΤΡΙΚΑ ΤΡΟΧΟΥ”

Βεβαιωθείτε ότι οι δίσκοι προστασίας του τροχού χρησιμοποιούνται όταν παρέχονται με το συγκολλημένο λειαντικό προϊόν και όποτε απαιτούνται.

Μην χρησιμοποιήσετε ξεχωριστά εξαρτήματα ή προσαρμογείς για να προσαρμόσετε λειαντικούς τροχούς με μεγάλη τρύπα.

Για εργαλεία που προορίζονται να δέχονται τροχούς με σπείρωμα, βεβαιωθείτε ότι το σπείρωμα στο τροχό είναι αρκετά μακρύ για να δεχτεί το μήκος του άξονα.

Μην χρησιμοποιείτε τροχούς κοπής για πλευρική λείανση.

### 6. Εκτέλεση δοκιμαστικής χρήσης

Βεβαιωθείτε ότι τα προϊόντα λείανσης είναι σωστά συνδεδεμένα και σφιγμένα πριν από την χρήση και λειτουργήστε το εργαλείο χωρίς φορτίο για 30 δευτερόλεπτα σε μια ασφαλή θέση, σταματήστε αμέσως αν υπάρξει έντονη δόνηση ή αν παρουσιαστούν άλλες ανωμαλίες.

Αν αυτή η κατάσταση συμβεί, εξέγγυτε το μηχάνημα για να ανακαλύψετε την αιτία.

### 7. Επιθεβαιώστε το κουμπί ώθησης

Βεβαιωθείτε ότι το κουμπί ώθησης δεν είναι ενεργοποιημένο πατώντας το κουμπί ώθησης δυο ή τρεις φορές πριν ξεκινήσετε το εργαλείο. (Δείτε **Εικ. 2**)

### 8. Στερέωση της πλευρικής λαβής

Βιδώστε την πλευρική λαβή στο κάλυμμα των γραναζιών.

## ΠΡΑΚΤΙΚΗ ΕΦΑΡΜΟΓΗ ΤΟΥ ΛΕΙΑΝΤΗ

### 1. Πίεση

Για την επιμήκυνση του χρόνου ζωής του μηχανήματος και την εξασφάλιση ενός τελειώματος πρώτης ποιότητας, είναι σημαντικό το μηχάνημα να μην υπερφορτώνεται με την άσκηση υπερβολικής πίεσης. Στις περισσότερες εφαρμογές μόνο το βάρος του μηχανήματος είναι αρκετό για μια αποτελεσματική λείανση. Η υπερβολική πίεση θα προκαλέσει την ελάττωση της περιστροφικής ταχύτητας, τελείωμα επιφάνειας κατώτερης ποιότητας, και υπερφόρτωση η οποία θα ελαττώσει τον χρόνο ζωής του μηχανήματος.

### 2. Γωνία λείανσης

Μην ακουμπήσετε ολόκληρη την επιφάνεια του χαμηλωμένου κεντρικά τροχού στο υλικό το οποίο πρόκειται να λειανθεί. Όπως φαίνεται στην **Εικ. 1** το μηχάνημα πρέπει να κρατιέται σε γωνία 150 – 300 (superscript) έτσι ώστε η εξωτερική άκρη του χαμηλωμένου κεντρικά τροχού να εφάπτεται στο υλικό κατά την βέλτιστη γωνία.

### 3. Για την αποφυγή του σκαψίματος ενός καινούργιου χαμηλωμένου κεντρικά τροχού πάνω στο αντικείμενο εργασίας, η αρχική λείανση πρέπει να εκτελεστεί τραβώντας τον λειαντή πάνω στο αντικείμενο εργασίας προς το χρήστη (**Εικ. 1 διεύθυνση Β**). Αφότου το μπιστόνι άκρο του χαμηλωμένου κεντρικά τροχού έχει κατάλληλα τριβεί, η λείανση μπορεί να πραγματοποιηθεί κατά την οποιαδήποτε κατεύθυνση.

### 4. Προφυλακτικά μέτρα αμέσως μετά το τέλος της λειτουργίας.

Ο τροχός συνεχίζει να περιστρέφεται αφότου το εργαλείο τεθεί εκτός λειτουργίας.

Μετά το κλείσιμο της μηχανής, μην το βάλετε κάτω πριν ο χαμηλωμένος κεντρικά τροχός σταματήσει τελείως. Εκτός από την αποφυγή σοβαρών ατυχημάτων, αυτό το μέτρο προφύλαξης θα ελαττώσει τη ποσότητα της σκόνης και τριμμάτων που προσιφώνονται από το μηχάνημα.

### ΠΡΟΣΟΧΗ

- Ελέγξτε αν το αντικείμενο εργασίας υποστηρίζεται κατάλληλα.

- Βεβαιωθείτε ότι τα ανοίγματα αερισμού διατηρούνται καθαρά κατά την διάρκεια της εργασίας σε σκοτισμένες περιοχές.  
Αν είναι απαραίτητο να καθαρίσετε τη σκόνη, πρώτα αποσυνδέσετε το εργαλείο από την παροχή ρεύματος (χρησιμοποιήστε μη μεταλλικά αντικείμενα) και αποφυγείτε να προκαλέσετε ζημιά στα εσωτερικά τμήματα.
- Βεβαιωθείτε ότι οι σπίθες που προκαλούνται από τη χρήση δεν δημιουργούν κίνδυνο πχ δεν κτυπούν τους ανθρώπους, ή αναφλέγουν εύφλεκτα υλικά.
- Πάντοτε να χρησιμοποιείτε προστατευτικά ματιών και αυτιών.  
Άλλος εξοπλισμός προσωπικής προστασίας όπως μάσκα σκόνης, γάντια, κράνος και ποδιά πρέπει να χρησιμοποιείται όταν είναι απαραίτητο.  
Αν βρίσκεστε σε αμφιβολία φορέστε τον προστατευτικό εξοπλισμό.
- Όταν το μηχάνημα δεν χρησιμοποιείται, η πηγή ηλεκτρικού ρεύματος πρέπει να αποσυνδέεται.

## **ΣΥΝΑΡΜΟΛΟΓΗΣΗ ΚΑΙ ΑΠΟΣΥΝΑΡΜΟΛΟΓΗΣΗ ΤΟΥ ΧΑΜΗΛΩΜΕΝΟΥ ΚΕΝΤΡΙΚΑ ΤΡΟΧΟΥ (Εικ. 2)**

**ΠΡΟΣΟΧΗ:** Βεβαιωθείτε να κλείσετε και να αποσυνδέσετε τον υποδοχέα από την πρίζα για την αποφυγή σοβαρού ατυχήματος.

### **1. Συναρμολόγηση (Εικ. 2)**

- (1) Γυρίστε το γωνιακό τροχό λειάνσεως / κοπής ανάποδα έτσι ώστε ο άξονας να βλέπει προς τα επάνω.
- (2) Ταιριάξτε το διάκενο της ροδέλας του τροχού με το εντεταμημένο τμήμα του άξονα, μετά συνδέστε τα.
- (3) Εφαρμόστε το προεξέχων τμήμα του χαμηλωμένου κεντρικά τροχού πάνω στη ροδέλα του τροχού.
- (4) Βιδώστε το παξιμάδι του τροχού πάνω στον άξονα.
- (5) Καθώς σπρώχνεται το κουμπί ώθησης με το ένα χέρι, ασφαλίστε τον άξονα περιστρέφοντας τον χαμηλωμένο κεντρικά τροχό αργά με το άλλο χέρι. Σφίξτε το παξιμάδι του τροχού χρησιμοποιώντας το παρεχόμενο κλειδί όπως φαίνεται στην **Εικ. 2**.

### **2. Αποσυναρμολόγηση**

Ακολουθήστε τις παραπάνω διαδικασίες αντίστροφα.

### **ΠΡΟΣΟΧΗ**

- Επιβεβαιώστε ότι ο χαμηλωμένος κεντρικά τροχός έχει στερεωθεί καλά.
- Επιβεβαιώστε ότι το κουμπί ώθησης έχει απεμπλακεί οπώνωντάς το δυο ή τρεις φορές πριν την εκκίνηση του ηλεκτρικού εργαλείου.

## **ΣΥΝΤΗΡΗΣΗ ΚΑΙ ΕΛΕΓΧΟΣ**

- 1. Έλεγχος του χαμηλωμένου κεντρικά τροχού**  
Βεβαιωθείτε ότι ο χαμηλωμένος κεντρικά τροχός δεν έχει ραγίσματα ή ατέλειες στην επιφάνεια.
- 2. Έλεγχος των βιδών στερέωσης**  
Ελέγχετε περιοδικά όλες τις βίδες στερέωσης και βεβαιωθείτε ότι είναι κατάλληλα σφιγμένες. Στην περίπτωση που χαλαρώσει οποιαδήποτε βίδα σφίξτε την ξανά αμέσως. Αν δεν το κάνετε αυτό μπορεί να έχει ως αποτέλεσμα το σοβαρό τραυματισμό.

### **3. Έλεγχος στα καρβουνάκια (Εικ. 3).**

Το μοτέρ χρησιμοποιεί καρβουνάκια τα οποία είναι αναλώσιμα μέρη. Επειδή ένα υπερβολικά φθαρμένο καρβουνάκι μπορεί να προκαλέσει πρόβλημα στο μοτέρ αντικαταστήστε το καρβουνάκι με καινούργιο το οποίο έχει τον ίδιο Αριθμό άνθρακα που φαίνεται στην εικόνα όταν φθαρεί ή όταν φτάσει στο όριο φθοράς. Επιπρόσθετα, πάντοτε κρατάτε τα καρβουνάκια καθαρά και εξασφαλίστε ότι ολισθαίνουν ελεύθερα ανάμεσα στις θήκες.

### **4. Αντικατάσταση των καρβουνακίων**

Αποσυνδέστε τα καλύμματα των καρβουνακίων με ένα κατσαβίδι εγκοπτώμενης κεφαλής. Τα καρβουνάκια μπορούν μετά να αφαιρεθούν εύκολα.

### **5. Συντήρηση του μοτέρ**

Η περιέλιξη της μονάδα του μοτέρ είναι η καρδιά του ηλεκτρικού εργαλείου. Δώστε μεγάλη προσοχή για να σιγουρευτείτε ότι η περιέλιξη δεν θα πάθει ζημιά και / ή θα βρωχθεί με λάδι ή νερό.

### **6. Λίστα συντήρησης των μερών**

#### **ΠΡΟΣΟΧΗ:**

Η επισκευή, η τροποποίηση και ο έλεγχος των Ηλεκτρικών Εργαλείων Hitachi πρέπει να γίνεται από ένα Εξουσιοδοτημένο κέντρο σέρβις της Hitachi.

Αυτή η Λίστα των Μερών θα είναι χρήσιμη αν παρουσιαστεί μαζί με το εργαλείο στο εξουσιοδοτημένο Κέντρο Σέρβις της Hitachi όταν ζητάτε επισκευή ή κάποια άλλη συντήρηση.

Κατά τον έλεγχο και τη συντήρηση των ηλεκτρικών εργαλείων, οι κανόνες ασφαλείας και οι κανονισμοί που υπάρχουν σε κάθε χώρα πρέπει να ακολουθούνται.

#### **ΤΡΟΠΟΠΟΙΗΣΗ:**

Τα Ηλεκτρικά Εργαλεία Hitachi βελτιώνονται συνεχώς και τροποποιούνται για να συμπεριλάβουν τις τελευταίες τεχνολογικές προόδους.

Κατά συνέπεια, ορισμένα τμήματα μπορούν να αλλάξουν χωρίς προηγούμενη ειδοποίηση.

## **ΕΓΓΥΗΣΗ**

Εγγυώμαστε τα εργαλεία Hitachi Power Tools σύμφωνα με τη νομοθεσία και τους κανονισμούς ανά χώρα. Η παρούσα εγγύηση δεν καλύπτει ελαττώματα ή ζημιές λόγω κακής χρήσης, κακοποίησης ή φυσιολογικής φθοράς. Σε περίπτωση παραπόνων παρακαλούμε αποστείλετε το Power Tool χωρίς να το αποσυναρμολογήσετε μαζί με το ΠΙΣΤΟΠΟΙΗΤΙΚΟ ΕΓΓΥΗΣΗΣ το οποίο βρίσκεται στο τέλος των οδηγιών αυτών, σε Εξουσιοδοτημένο Κέντρο Επισκευής της Hitachi.

#### **ΣΗΜΕΙΩΣΗ:**

Εξαιτίας του συνεχιζόμενου προγράμματος έρευνας και ανάπτυξης της HITACHI τα τεχνικά χαρακτηριστικά που εδώ αναφέρονται μπορούν να αλλάξουν χωρίς προηγούμενη ειδοποίηση.

---

---

**Πληροφορίες που αφορούν τον εκπεμπόμενο θόρυβο και τη δόνηση.**

Οι τιμές μετρήθηκαν σύμφωνα με το EN60745 και βρέθηκαν σύμφωνες με το ISO 4871.

Μετρηθείσα τυπική στάθμη ηχητικής ισχύος A: 98 dB (A)  
Μετρηθείσα τυπική στάθμη ηχητικής πίεσης A: 87 dB (A)  
Αβεβαιότητα ΚrA: 3 dB (A)

Φοράτε προστατευτικά αυτιών.

Συνολικές τιμές δόνησης (διανυσματικό άθροισμα τριαξονικού καλωδίου) που καθορίζονται σύμφωνα με το πρότυπο EN60745.

Λείανση επιφάνειας:

Τιμή εκπομπής δόνησης **a<sub>h</sub>**, **AG** = 6,3 m/s<sup>2</sup>

Αβεβαιότητα K = 1,5 m/s<sup>2</sup>

---

---

**ΠΡΟΣΟΧΗ**

- Η τιμή εκπομπής δόνησης κατά την ουσιαστική χρήση του ηλεκτρικού εργαλείου μπορεί να διαφέρει από τη δηλωμένη τιμή, ανάλογα με το που και πως χρησιμοποιείται το εργαλείο.
- Για να αναγνωρίσετε τα μέτρα ασφαλείας για την προστασία του χειριστή που βασίζονται σε μία εκτίμηση της έκθεσης στις πραγματικές συνθήκες χρήσης (λαμβάνοντας υπόψη όλα τα μέρη του κύκλου λειτουργίας όπως τα διαστήματα που το εργαλείο είναι απενεργοποιημένο και όταν λειτουργεί στο ρελαντί μαζί με το χρόνο διεγερσης).

## OGÓLNE WSKAZÓWKI BEZPIECZEŃSTWA DOTYCZĄCE URZĄDZEŃ ELEKTRYCZNYCH

### **⚠ OSTRZEŻENIE**

Należy dokładnie zapoznać się ze wszystkimi ostrzeżeniami i wskazówkami bezpieczeństwa.

Nieprzestrzeganie ostrzeżeń oraz wskazówek bezpieczeństwa może spowodować porażenie prądem elektrycznym, pożar i/lub odniesienie poważnych obrażeń.

Ostrzeżenia i wskazówki bezpieczeństwa powinny być przechowywane do użycia w przyszłości.

Wykorzystywane w treści wskazówek wyrażenie "narzędzie elektryczne" dotyczy narzędzi zasilanych z sieci (przewodowych) lub z baterii (beprzewodowych).

#### 1) Bezpieczeństwo stanowiska pracy

a) Miejsce pracy powinno być czyste i dobrze oświetlone.

*Brak porządku lub nieodpowiednie oświetlenie miejsca pracy może być przyczyną wypadku.*

b) Nie należy używać narzędzi elektrycznych w miejscach zagrożonych wybuchem, na przykład w pobliżu łatwopalnych cieczy, gazów lub pyłów. Pracujące narzędzie elektryczne wytwarza iskry grożące wybuchem.

c) Dzieci oraz osoby postronne powinny pozostawać w bezpiecznej odległości od pracującego urządzenia.

*Dekonzentracja może spowodować utratę kontroli nad urządzeniem.*

#### 2) Bezpieczeństwo elektryczne

a) Wtyczka narzędzia musi pasować do gniazda zasilania.

*Nie wolno przerabiać wtyczki.*

*Narzędzia posiadające uziemienie nie powinny być używane z wtyczkami przejściowymi.*

*Przestrzeganie powyższych zaleceń dotyczących wtyczek i gniazdek pozwoli zmniejszyć ryzyko porażenia prądem elektrycznym.*

b) Należy unikać dotykania jakichkolwiek powierzchni i elementów uziemionych, takich jak rury, grzejniki, kuchenki lub urządzenia chłodnicze.

*Ryzyko porażenia prądem elektrycznym jest wyższe, gdy ciało jest uziemione.*

c) Nie należy narażać narzędzi elektrycznych na działanie deszczu lub wilgoci.

*Obecność wody zwiększa niebezpieczeństwo porażenia prądem elektrycznym.*

d) Nie należy używać przewodu zasilającego w sposób niezgodny z przeznaczeniem. Nie wolno używać przewodu do przenoszenia lub ciągnięcia urządzenia bądź wyłączania go z prądu.

*Przewód powinien znajdować się w bezpiecznej odległości od źródeł ciepła, oleju, ostrych krawędzi lub poruszających się części.*

*Uszkodzenie lub zapętlenie przewodu zwiększa ryzyko porażenia prądem elektrycznym.*

e) W przypadku używania narzędzia elektrycznego na wolnym powietrzu należy korzystać z przedłużaczy przeznaczonych do takiego zastosowania.

*Używanie odpowiednich przedłużaczy zmniejsza ryzyko porażenia prądem elektrycznym.*

f) W przypadku korzystania z narzędzia w miejscu o dużej wilgotności należy zawsze używać wyłącznika różnicowoprądowego.

*Korzystanie z takiego wyłącznika zmniejsza ryzyko porażenia prądem elektrycznym.*

#### 3) Bezpieczeństwo osobiste

a) Podczas korzystania z narzędzia elektrycznego należy zawsze koncentrować się na wykonywanej pracy i postępować zgodnie z zasadami zdrowego rozsądku.

*Narzędzia elektryczne nie powinny być obsługiwane przez osoby zmęczone lub znajdujące się pod wpływem substancji odurzających, alkoholu bądź leków.*

*Chwila nieuwagi podczas obsługi narzędzia elektrycznego może spowodować odniesienie poważnych obrażeń.*

b) Zawsze używać odpowiedniego osobistego wyposażenia ochronnego. Zawsze nosić odpowiednie okulary ochronne.

*Stosowane w odpowiednich warunkach wyposażenie zabezpieczające, takie jak maska przeciwpyłowa, obuwie antypoślizgowe, kask lub nauszники zmniejsza ryzyko odniesienia obrażeń ciała.*

c) Uniemożliwić nieoczekiwane uruchomienie narzędzia. Przed podłączeniem narzędzia do gniazda zasilania i/lub zestawu baterii, a także przed podniesieniem lub przeniesieniem go, należy upewnić się, że wyłącznik znajduje się w położeniu wyłączenia.

*Ze względów bezpieczeństwa nie należy przenosić narzędzi elektrycznych, trzymając palec na wyłączniku, ani podłączać do zasilania urządzeń, których wyłącznik znajduje się w położeniu włączenia.*

d) Przed wyłączeniem usunąć wszystkie klucze regulacyjne.

*Pozostawienie klucza regulacyjnego połączony z częścią obrotową narzędzia może spowodować odniesienie obrażeń.*

e) Nie sięgać zbyt daleko. Należy zawsze stać stabilnie, zachowując równowagę.

*Zapewnia to lepsze panowanie nad narzędziem w nieoczekiwanych sytuacjach.*

f) Należy nosić odpowiednią odzież roboczą. Nie nosić luźnych ubrań lub biżuterii. Trzymać włosy, odzież i rękawice w bezpiecznej odległości od ruchomych części urządzenia.

*Luźne ubrania, biżuteria lub długie włosy mogą zostać wciągnięte przez ruchome części narzędzia.*

g) Jeżeli wraz z narzędziem dostarczone zostało wyposażenie służące do odprowadzania pyłów, należy pamiętać o jego właściwym podłączeniu i używaniu.

*Właściwe zbieranie i odprowadzanie pyłu zmniejsza zagrożenia związane z jego obecnością.*

#### 4) Obsługa i konserwacja narzędzi elektrycznych

a) Nie używać narzędzia elektrycznego ze zbyt dużą siłą. Należy stosować narzędzie odpowiednie dla wykonywanej pracy.

*Narzędzie przeznaczone do określonej pracy wykona ją lepiej i w sposób bardziej bezpieczny, pracując z zalecaną prędkością.*

b) Nie należy używać narzędzia, którego wyłącznik jest uszkodzony.



Każde urządzenie, które nie może być właściwie włączane i wyłączane, stanowi zagrożenie i musi zostać naprawione.

- c) **Należy zawsze odłączyć urządzenie z sieci zasilania i/lub baterii przed przystąpieniem do jakichkolwiek modyfikacji, wymiany akcesoriów itp. oraz kiedy urządzenie nie będzie używane przez dłuższy czas.**

*Powyższe środki mają na celu wyeliminowanie ryzyka nieoczekiwanego uruchomienia urządzenia.*

- d) **Nie używane narzędzia elektryczne powinny być przechowywane w miejscu niedostępnym dla dzieci oraz osób, które nie znają zasad ich obsługi lub niniejszych zaleceń.**

*Korzystanie z narzędzi elektrycznych przez osoby, które nie zostały przeszkolone, może stanowić zagrożenie.*

- e) **Należy dbać o odpowiednią konserwację narzędzi elektrycznych. Przed rozpoczęciem pracy należy sprawdzić, czy ruchome części urządzenia nie są wygięte, uszkodzone lub pęknięte i czy nie występują jakiegokolwiek inne okoliczności, które mogłyby uniemożliwić bezpieczną pracę urządzenia.**

**W razie uszkodzenia przed kolejnym użyciem narzędzia musi zostać naprawione.**

*Wiele wypadków następuje z powodu nieprawidłowej konserwacji narzędzi elektrycznych.*

- f) **Narzędzia tnące powinny być zawsze ostre i czyste.**

*Narzędzia tnące powinny być utrzymywane w odpowiednim stanie, a ich krawędzie muszą być odpowiednio ostre - zmniejsza to ryzyko wygięcia i ułatwia obsługę narzędzia.*

- g) **Należy zawsze obsługiwać narzędzie, jego akcesoria takie jak wiertła itp. w sposób zgodny z zaleceniami niniejszej instrukcji, biorąc pod uwagę warunki robocze oraz rodzaj wykonywanej pracy.**

*Używanie narzędzia do celów niezgodnych z jego przeznaczeniem może spowodować niebezpieczeństwo.*

## 5) Serwis

- a) **Narzędzia elektryczne mogą być naprawiane wyłącznie przez uprawnionych techników serwisowych, przy zastosowaniu oryginalnych części zamiennych.**

*Zapewnia to utrzymanie bezpieczeństwa obsługi urządzenia.*

## UWAGA

Dzieci i osoby niepełnosprawne muszą pozostawać w bezpiecznej odległości od narzędzia.

Nie używane narzędzia elektryczne powinny być przechowywane w miejscu niedostępnym dla dzieci i osób niepełnosprawnych.

## OGÓLNE WSKAZÓWKI BEZPIECZEŃSTWA DOTYCZĄCE PRAC SZLIFIERSKICH I CIĘCIA

- a) **To elektronarzędzie jest przeznaczone do szlifowania lub cięcia. Należy dokładnie zapoznać się ze wszystkimi wskazówkami bezpieczeństwa, zaleceniami, ilustracjami oraz specyfikacjami dostarczonymi razem z urządzeniem.**

*Nieprzestrzeżenie zamieszczonych poniżej zaleceń może spowodować porażenie prądem elektrycznym, wybuch pożaru i/lub odniesienie poważnych obrażeń ciała.*

- b) **Prace takie, jak szlifowanie, czyszczenie szczołką metalową lub polerowanie nie powinny być wykonywane za pomocą tego urządzenia. Stosowanie elektronarzędzia do celów, do jakich nie jest przeznaczone może stanowić niebezpieczeństwo i spowodować odniesienie obrażeń ciała.**

- c) **Nie należy używać akcesoriów, które nie zostały specjalnie opracowane i nie są zalecane przez producenta urządzenia.**

*Możliwość podłączenia do elektronarzędzia nie oznacza, że wykorzystywanie danych akcesoriów jest bezpieczne.*

- d) **Prędkość znamionowa akcesoriów musi być co najmniej równa maksymalnej prędkości roboczej elektronarzędzia.**

*W przypadku akcesoriów pracujących z wyższą prędkością, może nastąpić ich pęknięcie i odpadnięcie.*

- e) **Średnica zewnętrzna oraz grubość akcesoriów muszą być zgodne z danymi znamionowymi elektronarzędzia.**

*Nieprawidłowe rozmiary akcesoriów utrudniają działanie elementów zabezpieczających.*

- f) **Wymiary kół, kołnierzy, podkładek centrujących i innych akcesoriów muszą odpowiadać rozmiarom osi elektronarzędzia.**

*Akcesoria, których otwór montażowy nie pasuje do elementu mocującego elektronarzędzia mogą pracować nieprawidłowo, powodować silne wibracje oraz utratę panowania nad urządzeniem.*

- g) **Nie należy używać żadnych akcesoriów, które są uszkodzone. Przed każdym użyciem należy sprawdzić, czy akcesoria, takie jak podkładki centrujące nie są pęknięte, wyszczerbione lub zużyte, a szczołki druciane nie mają poluzowanych lub pękniętych drutów. Jeżeli elektronarzędzie lub akcesoria zostaną upuszczone, należy sprawdzić, czy nie zostały w żaden sposób uszkodzone. Po skontrolowaniu i założeniu akcesoriów, należy pamiętać, aby operator oraz osoby postronne znajdowały się z dala od obracającej się tarczy. Elektronarzędzie powinno zostać uruchomione na jedną minutę przy maksymalnych obrotach bez obciążenia.**

*Uszkodzone akcesoria powinny ulec zniszczeniu w trakcie tej próby.*

- h) **Nosić odpowiednie osobiste wyposażenie ochronne. W zależności od wykonywanej pracy, należy nosić maskę na twarz oraz gogle lub okulary ochronne. W razie potrzeby należy nosić maskę przeciwpyłową, słuchawki ochronne, rękawice oraz fartuch roboczy zabezpieczający przed odpryskami niewielkich części obrabianego przedmiotu.**

*Okulary ochronne muszą zabezpieczać użytkownika przed odpryskującymi elementami. Maskę przeciwpyłową lub oddechową powinna zabezpieczać przed pyłem wytwarzanym podczas prac. Długotrwałe narażenie na wysoki poziom hałasu może spowodować uszkodzenie słuchu.*

- i) **Osoby postronne powinny pozostawać w bezpiecznej odległości od pracującego urządzenia. Wszystkie osoby znajdujące się na stanowisku roboczym muszą nosić osobiste wyposażenie ochronne.**

*Części przedmiotu obrabianego lub złamanego narzędzia mogą odpaść i spowodować obrażenia osoby znajdującej się nawet poza miejscem pracy urządzenia.*

- j) **Elektronarzędzia** powinny być przytrzymywane wyłącznie za pomocą przeznaczonych do tego celu izolowanych uchwytów, w szczególności, kiedy element tnący może dotknąć ukrytych przewodów lub kabla zasilającego elektronarzędzia.

*Dotknięcie znajdującego się pod napięciem przewodu elektrycznego przez pracujący element tnący może spowodować przeniesienie napięcia na urządzenie i porażenie użytkownika prądem elektrycznym.*

- k) **Przewód zasilający** powinien znajdować się w bezpiecznej odległości od obracającego się elementu.

*Utrata panowania nad narzędziem może doprowadzić do przecięcia przewodu zasilającego lub wciągnięcia dłoni lub całej ręki przez obracający się element.*

- l) **Nie należy nigdy odkładać elektronarzędzia, dopóki obracający się element nie zostanie całkowicie zatrzymany.**

*Dotknięcie obracającego się elementu może spowodować pochwylenie i wciągnięcie ubrania operatora i doprowadzić do obrażeń ciała.*

- m) **Nie należy uruchamiać elektronarzędzia, trzymając je w pobliżu ciała.**

*Przypadkowe dotknięcie ubrania przez obracający się element może spowodować pochwylenie i przyciągnięcie elektronarzędzia do operatora.*

- n) **Należy systematycznie czyścić wszystkie otwory wentylacyjne elektronarzędzia.**

*Wentylatory silnika mogą powodować wciągnięcie nagromadzonych zanieczyszczeń do środka urządzenia i zwiększenie zagrożenia elektrycznego.*

- o) **Nie należy używać elektronarzędzia w pobliżu materiałów łatwopalnych.**

*Wytwarzane iskry mogą spowodować zapalenie się tych materiałów.*

- p) **Nie należy używać akcesoriów wymagających stosowania cieczy chłodzących.**

*Używanie wody lub innych cieczy chłodzących może spowodować porażenie prądem elektrycznym.*

- a) **Należy zawsze mocno trzymać urządzenie i utrzymywać pozycję umożliwiającą zamotyżowanie odrzutu.** Jeżeli urządzenie posiada uchwyt boczny, należy zawsze go używać w celu zapewnienia maksymalnego bezpieczeństwa w razie odrzutu lub reakcji momentu obrotowego podczas uruchamiania. *Operator może kontrolować reakcję i siłę odrzutu pod warunkiem przestrzegania wskazówek bezpieczeństwa.*

- b) **Nie należy nigdy przybliżyć rąk do obracającego się narzędzia.**

*Obracające się narzędzie może zostać odrzucone w kierunku ręki.*

- c) **Żadne części ciała nie powinny znajdować się w miejscu, w kierunku którego może zostać odrzucone urządzenie.**

*Siła odrzutu wyrzuca urządzenie w kierunku przeciwnym do kierunku obrotu tarczy szlifierskiej w chwili jej zakleszczenia.*

- d) **Należy zachować szczególną ostrożność podczas pracy przy narożnikach, ostrych krawędziach itp. Należy unikać nagłych szarpnięć i uderzeń.**

*Narożniki, ostre krawędzie lub uderzenie mogą spowodować nagłe zatrzymanie używanego narzędzia i spowodować odrzut i utratę panowania nad urządzeniem.*

- e) **Nie należy zakładać tarcz przeznaczonych do obróbki drewna lub tarcz zębatych.**

*Korzystanie z tego rodzaju ostrzy może powodować częste występowanie odrzutu i utratę panowania nad urządzeniem.*

## **WSKAZÓWKI BEZPIECZEŃSTWA DOTYCZĄCE SZLIFOWANIA I ŚCIERANIA**

- a) **Należy używać wyłącznie tarcz szlifierskich przeznaczonych do wykorzystania z urządzeniem oraz osłon zalecanych dla określonej tarczy.**

*Korzystanie z tarcz, które nie są przeznaczone dla tego urządzenia, może być niebezpieczne.*

- b) **Osłona zabezpieczająca musi być założona w sposób zapewniający maksymalne bezpieczeństwo - jak najmniejsza część tarczy szlifierskiej powinna być odsłonięta.**

*Osłona zabezpiecza użytkownika przed odtamanymi częściami tarcz szlifierskich oraz przed przypadkowym dotknięciem tarczy.*

- c) **Tarcze szlifierskie powinny być używane wyłącznie do celów, do których są przeznaczone. Dla przykładu: nie należy wykorzystywać bocznej ściany tarczy szlifierskiej do ścierania.**

*Specjalne tarcze tnące są przeznaczone do ścierania krawędziowego - w ich przypadku wywierana na tarczę siła boczna może spowodować jej złamanie.*

- d) **Z tarczami należy zawsze używać obsad, które nie są uszkodzone. Obsada powinna być odpowiednia dla kształtu i rozmiarów używanej tarczy.**

*Odpowiednia obsada zabezpiecza tarczę przed złamaniem. Obsady przeznaczone do tarcz tnących mogą być inne niż do tarcz szlifierskich.*

- e) **Nie należy używać zużytych tarcz, wykorzystywanych wcześniej w większych urządzeniach.**

## **OSTRZEŻENIA DOTYCZĄCE ODRZUTU ORAZ PODOBNYCH ZAGROŻEŃ**

*Odrzut to nagła reakcja na zakleszczenie lub zablokowanie obracającej tarczy szlifierskiej, podkładki, szczotki lub innego akcesorium. Zakleszczenie lub zablokowanie narzędzia powoduje nagłe zatrzymanie ruchu obrotowego, które powoduje nagły odrzut urządzenia w kierunku odwrotnym do ruchu obrotowego narzędzia.*

*Dla przykładu: jeżeli tarcza szlifierska zostanie zablokowana lub zakleszczona przez obrabiany przedmiot, jej krawędź może zagłębić się w materiale, co spowoduje wyrzucenie tarczy. Może ona zostać wyrzucona w kierunku operatora lub przeciwnym, w zależności od kierunku obrotów w chwili zakleszczenia. W takim przypadku tarcza szlifierska może również zostać złamana.*

*Odrzut jest spowodowany nieprawidłowym wykorzystywaniem urządzenia elektrycznego i/lub pracą w niewłaściwy sposób lub w nieodpowiednich warunkach roboczych. Można temu zapobiec, przestrzegając poniższych wskazówek bezpieczeństwa.*

Tarcze przeznaczone do większych urządzeń elektrycznych nie mogą być używane w mniejszych urządzeniach o większej prędkości – grozi to pęknięciem tarczy.

## OGÓLNE INSTRUKCJE BEZPIECZEŃSTWA DOTYCZĄCE SZLIFIEREK

- Upewnij się, że prędkość zaznaczona na tarczy jest co najmniej równa prędkości znamionowej szlifierki;
- Upewnij się, że wymiary tarczy ścierniej są odpowiednie dla szlifierki;
- Tarcze ściernie powinny być przechowywane i użytkowane w odpowiedni sposób, zgodnie z zaleceniami producenta;
- Przed przystąpieniem do pracy należy dokładnie sprawdzić tarczę ścierną - nie używaj tarcz wyszczerbionych, pękniętych lub uszkodzonych w jakikolwiek inny sposób;
- Upewnij się, że tarcza ścierna została założona zgodnie z zaleceniami producenta;
- W sytuacjach tego wymagających upewnij się, że zostały założone podkłady dostarczane z wiązanym materiałem ściernym;
- Przed przystąpieniem do pracy upewnij się, że tarcza ścierna jest właściwie zamocowana, a następnie uruchom urządzenie bez obciążenia na 30 s, utrzymując je w bezpiecznym położeniu. Natychmiast zatrzymaj urządzenie, jeżeli pojawią się silne drgania lub zauważysz inne objawy nieprawidłowego działania. W takiej sytuacji należy dokładnie zbadać urządzenie pod kątem możliwych przyczyn problemu;
- Jeżeli wraz z narzędziem dostarczana jest osłona zabezpieczająca, nigdy nie należy przystępować do pracy bez osłony;
- Nie używaj dodatkowych tulei lub łączników, aby dopasować zbyt dużą średnicę otworu tarczy tnącej;
- W przypadku narzędzi przeznaczonych do pracy z tarczami gwintowanymi upewnij się, że długość gwintu otworu tarczy jest wystarczająca dla długości wrzeciona;
- Sprawdź, czy obrabiany przedmiot jest właściwie zamocowany;
- Do szlifowania nie należy używać tarcz tnących;
- Upewnij się, że powstające podczas pracy iskry nie stanowią zagrożenia (na przykład nie spadają na znajdujące się w pobliżu osoby lub materiały łatwopalne);
- W warunkach silnego zapylenia upewnij się, że otwory wentylacyjne nie zostały zatłkane. Przed przystąpieniem do usuwania nagromadzonego pyłu wyłącz urządzenie z prądu. Nie używaj przedmiotów metalowych i uważaj, aby nie uszkodzić części wewnętrznych;
- Należy zawsze nosić okulary i słuchawki ochronne. Zalecane jest również noszenie pozostałych elementów wyposażenia ochronnego, takich jak maska przeciwpyłowa, rękawice, kask i fartuch;
- Pamiętaj, że tarcza obraca się jeszcze przez pewien czas po wyłączeniu urządzenia.

## DODATKOWE WSKAZÓWKI BEZPIECZEŃ STWA DOTYCZĄCE PRAC ZWIĄZANYCH Z PRZECINANIEM

- a) **Nie blokować ani nie dociskać tarczy tnącej. Nie próbować wykonać cięcia o zbyt dużej głębokości.** Przeciążenie tarczy zwiększa ryzyko jej wygięcia lub zakleszczenia, co z kolei grozi odrzutem urządzenia lub złamaniem tarczy.
- b) **Żadne części ciała użytkownika nie mogą znajdować się na linii działania obracającej się tarczy.**  
Jeżeli tarcza obraca się w kierunku przeciwnym do użytkownika, siła odrzutu może skierować urządzenie bezpośrednio w jego stronę.
- c) **Jeżeli tarcza uległa zakleszczeniu lub użytkownik przerywa pracę z jakiegokolwiek powodu, należy wyłączyć urządzenie, ale wciąż przytrzymać je mocno aż do chwili całkowitego zatrzymania tarczy. W żadnym wypadku nie należy wyjmować tarczy tnącej z rządu przed jej całkowitym zatrzymaniem, ponieważ może to spowodować odrzut urządzenia.**  
Należy znaleźć i wyeliminować przyczynę blokowania się tarczy.
- d) **Nie należy wznawiać cięcia wewnątrz obrabianego przedmiotu. Należy zaczekać, aż urządzenie osiągnie pełną prędkość roboczą i dopiero później ostrożnie rozpocząć cięcie.**  
Tarcza tnąca może ulec zakleszczeniu, wyrzuceniu lub odrzuceniu, jeżeli urządzenie zostanie uruchomione wewnątrz obrabianego przedmiotu.
- e) **Panel lub obrabiany przedmiot należy zabezpieczyć, aby zminimalizować ryzyko zakleszczenia tarczy lub powstania odrzutu.**  
Obrabiane przedmioty o dużych rozmiarach uginają się pod własnym ciężarem. Należy zabezpieczyć je od spodu po obu stronach linii cięcia i na obu końcach.
- f) **W przypadku wykonywania wcięć w ścianach i podobnych strukturach należy zachować szczególną ostrożność.**  
Tarcza może przeciąć instalację gazową lub wodną, przewody instalacji elektrycznej lub natrafić na obiekty, które mogą być przyczyną odrzutu.

## DANE TECHNICZNE

Model		G10SS	G12SS	G13SS
Napięcie (w zależności od miejsca)*		(110V, 120V, 220V, 230V, 240V) $\cup$		
Moc pobierana*		580 W		
Prędkość obrotowa bez obciążenia		11000 min <sup>-1</sup>		10000 min <sup>-1</sup>
Tarcza	Zewnętrzna średnica x średnica otworu	100 x 16 mm	115 x 22 mm	125 x 22 mm
	Prędkość obwodowa	72 m/s		80 m/s
Waga Sama główna część (kadłub)		1,4 kg		

\*Sprawdź nazwę produktu, jako że ulega ona zmianie w zależności od miejsca zakupu.

## WYPOSAŻENIE STANDARDOWE

- (1) Klucz ..... 1  
 (2) Boczny uchwyt ..... 1  
 Wyposażenie standardowe może ulec zmianie bez uprzedzenia.

## ZASTOSOWANIE

- Usuwanie żebra odlewniczego i wykończenia różnego typu stali, brązu, i aluminiowych materiałów i odlewów.
- Zeszlifowywanie zespawanych części lub części pociętych palnikiem.

## PRZED UŻYCIEM

### 1. Źródło mocy

Upewnij się, że źródło mocy jest zgodne z wymogami mocy zaznaczonymi na tabliczce znamionowej.

### 2. Wylłącznik sieciowy

Upewnij się, że wylłącznik jest wylłączony (pozycja OFF). Jeśli wtyczka jest włączona do sieci podczas gdy wylłącznik jest włączony (pozycja ON), narzędzie zacznie działać natychmiast, co może spowodować poważny wypadek.

### 3. Przedłużacz

Kiedy miejsce pracy znajduje się daleko od źródła prądu, użyj przedłużacza o odpowiedniej grubości i mocy. Przedłużacz powinien być najkrótszy jak tylko jest to możliwe.

### 4. Montaż i dopasowanie osłony tarczy

Osłona tarczy to urządzenie zabezpieczające przed zranieniem się w przypadku, gdyby obniżone tarcze środkowe pękły w trakcie pracy. Upewnij się, że osłona jest odpowiednio zamocowana i zaciśnięta przed rozpoczęciem szlifowania. Przez lekkie rozluźnienie śruby regulacyjnej osłona tarczy może być obrócona i ustawiona pod dowolnym kątem w celu uzyskania maksymalnej efektywności pracy. Upewnij się, że śruba regulacyjna jest całkowicie dociśnięta po dopasowaniu osłony tarczy.

### 5. Upewnij się, że osadzone tarcze i dłuta są dopasowane zgodnie z instrukcjami producenta

Upewnij się, że obniżona tarcza środkowa, której zamierzasz użyć jest odpowiedniego typu i nie ma pęknięć bądź uszkodzeń. Także upewnij się, że obniżona tarcza środkowa jest odpowiednio zamocowana i że nakrętka tarczy jest bezpiecznie dociśnięta. Porównaj z punktem instrukcji dotyczącym „SKŁADANIE I ROZKŁADANIE OBNIŻONYCH TARCZ ŚŚRODKOWYCH”.

Upewnij się że używasz suszki, jeśli jest ona dołączona do urządzenia i jeśli jest wymagana.

Nie używaj oddzielnych pierścieni redukcyjnych ani pośrednich, aby zamocować tarcze z większymi otworami. Jeśli zamierzasz użyć narzędzi z tarczami o otworach gwintowanych, upewnij się że gwinty tarcz są wystarczająco długie, aby wkręcić wrzeciono narzędzia. Nie używaj tarcz szlifierskich tnących do szlifowania bocznego.

### 6. Przeprowadzenie próby

Upewnij się, że urządzenie jest właściwie zamocowane i zaciśnięte zanim go użyjesz, i uruchom narzędzie na biegu jałowym na 30 sekund w bezpiecznej pozycji (safe). Zatrzymaj niezwłocznie, jeśli wystąpi silna wibracja lub jeśli wykryjesz inne defekty. Jeśli wystąpi taka sytuacja, sprawdź urządzenie by znaleźć przyczynę.

### 7. Sprawdź przycisk

Upewnij się, że przycisk jest rozłączony poprzez wcisnięcie go dwa lub trzy razy zanim uruchomisz narzędzie. (zobacz **Rys. 2**).

### 8. Założenie bocznego uchwytu.

Przykręć boczny uchwyt do pokrywy narzędzia.

## PRAKTYCZNE ZASTOSOWANIE SZLIFIERKI

### 1. Nacisk

W celu przedłużenia żywotności maszyny oraz uzyskania wykończenia pierwszej jakości, ważne jest, by nie przeciążyć maszyny przez wywieranie na nią zbyt silnego nacisku.

Przy większości zastosowań ciężar własny maszyny jest wystarczający do skutecznego szlifowania. Zbyt silny nacisk spowoduje ograniczenie prędkości obrotowej, niedoskonałe wykończenie powierzchni i przeciążenie, które może spowodować skrócenie żywotności maszyny.

### 2. Kąt szlifowania

Nie dotykaj całą powierzchnią obniżonej tarczy środkowej do szlifowanego materiału. Jak pokazano w **Rys. 1**, maszyna powinna być trzymana pod kątem 15° – 30°, tak aby zewnętrzny kraniec obniżonej tarczy środkowej stykał się z materiałem pod optymalnym kątem.

### 3. By zapobiec werżnięciu się nowej obniżonej tarczy środkowej w obrabiany przedmiot, początkowe szlifowanie powinno być przeprowadzone przez pociągnięcie szlifierki w poprzek obiektu w kierunku operatora szlifierki (**Rys. 1 kierunek B**). Kiedy już krawędź prowadząca obniżonej tarczy środkowej jest odpowiednio starta, szlifowanie może być prowadzone w dowolnym kierunku.

### 4. Środki ostrożności bezpośrednio po skończeniu pracy.

Tarcza obraca się nadal po wylączeniu narzędzia. Po wylączeniu nie odkładaj maszyny zanim obniżona tarcza nie zatrzyma się całkowicie.

To zabezpieczenie pomoże uniknięcia poważnych wypadków i ograniczy ilość kurzu i opiłków wciągniętych do maszyny.

## OSTRZEŻENIA

- Sprawdź czy obrabiany przedmiot jest odpowiednio umocowany.
- Upewnij się, że otwory wentylacyjne są przepustowe podczas pracy w kurzu.  
Jeśli koniecznym jest usunięcie kurzu, najpierw rozłącz narzędzie z sieci (nie używaj do tego obiektów z metalu) oraz unikaj uszkodzenia części wewnętrznych.
- Upewnij się, że pojawiające się w trakcie pracy iskry nie powodują zagrożenia, tzn. nie trafiają w ludzi lubi nie podpalają łatwopalnych substancji.
- Zawsze używaj zabezpieczeń oczu i uszu.  
Inny osobisty sprzęt ochronny jak np. maska przeciwpyłowa, rękawice, hełm i fartuch powinny być zakładane w razie potrzeby.  
Jeśli masz wątpliwości, użyj odzieży i sprzętu ochronnego.
- Jeśli maszyna nie jest używana, powinna być wyłączona z kontaktu.

## SKŁADANIE I ROZKŁADANIE OBNIŻONYCH TARCZ ŚRODKOWYCH (Rys. 2)

**UWAGA** Upewnij się, że wyłączyłeś wyłącznik (przełącznik na OFF) oraz wyciągnąłeś z kontaktu aby uniknąć poważnego wypadku.

### 1. Składanie (Rys. 2)

- (1) Przekręć szlifierkę tarczową do góry nogami tak aby wrzeciono było skierowane w górę.
- (2) Ustaw poprzeczne płyty podkładek tarczy w równej linii z naciętą częścią wrzeciona i zamocuj je.
- (3) Zamocuj wypukłą część obniżonej tarczy środkowej na podkładce tarczy.
- (4) Wkręć nakrętkę tarczy na wrzeciono.
- (5) Podczas gdy wciskasz przycisk jedną ręką, drugą ręką umocuj wrzeciono w pozycji pomalą obracając tarczę. Docisnij nakrętkę tarczy używając załączonego klucza, tak jak widać to na **Rys. 2**.

### 2. Rozłożenie

Użyj powyższych wskazówek tylko w odwrotnej kolejności.

### UWAGA

- Upewnij się, że obniżona tarcza środkowa jest mocno zamocowana.
- Upewnij się, że przycisk jest rozłączony wciskając go dwa lub trzy razy zanim włączysz narzędzie (ON).

## KONSERWACJA I INSPEKCJA

### 1. Sprawdzanie obniżonej tarczy środkowej

Upewnij się, że obniżona tarcza środkowa nie ma pęknięć i defektów powierzchni.

### 2. Sprawdzanie śrub mocujących

Regularnie sprawdzaj wszystkie mocujące śruby i upewnij się, że są mocno przykręcone. Jeśli któraś z nich się obluzuje, natychmiast ją przykręć. Zaniedbanie tego może spowodować poważne zagrożenie.

### 3. Sprawdzanie szczotek węglowych (Rys. 3)

Silnik używa szczotek węglowych, które się z czasem zużywają. Ponieważ nadmiernie zużyta szczotka węglowa może spowodować kłopoty z silnikiem, wymieniaj szczotki węglowe na nowe o tych samych numerach widocznych na ilustracji kiedy się zużyją lub gdy dochodzi do „granic zużycia”. Dodatkowo zawsze utrzymuj szczotki węglowe w czystości i upewnij się że swobodnie się przesuwają w obsadach.

### 4. Wymiana szczotek węglowych

Rozłóż nakrywkę szczotek używając rowkowanego śrubokręta. Szczotki węglowe mogą być wtedy bezpiecznie wyjęte.

### 5. Konserwacja silnika

Wirmik silnika jest sercem narzędzia. Zadbaj, by wirnik nie został uszkodzony i nie zawilgotniał lub pokrył się olejem.

### 6. Lista części zamiennych

#### UWAGA:

Naprawa, modyfikacje i przeglądy narzędzi elektrycznych Hitachi musi być wykonywane przez Autoryzowane Centrum Obsługi Hitachi.

Ta lista części będzie przydatna jeśli zostanie wręczona wraz z narzędziem, gdy zgłosimy się do naprawy lub przeglądu w Autoryzowanym Centrum Obsługi Hitachi. Podczas użytkowania i konserwacji narzędzi elektrycznych muszą być przestrzegane przepisy i standardy bezpieczeństwa.

## MODYFIKACJE:

Narzędzia elektryczne Hitachi są ciągle ulepszone i modyfikowane w celu wprowadzania najnowszych osiągnięć nauki i techniki.

W związku z tym pewne części mogą ulec zmianom bez uprzedzenia.

## GWARANCJA

Gwarancja na elektronarzędzia Hitachi jest udzielana z uwzględnieniem praw statutowych i przepisów krajowych. Gwarancja nie obejmuje wad i uszkodzeń powstałych w wyniku niewłaściwego użytkowania lub wynikających z normalnego zużycia. W wypadku reklamacji należy dostarczyć kompletne elektronarzędzie do autoryzowanego centrum serwisowego Hitachi wraz z KARTĄ GWARANCYJNĄ znajdującą się na końcu instrukcji obsługi.

### UWAGA:

W związku z prowadzonym przez Hitachi programem badań i rozwoju, specyfikacje te mogą się zmienić w każdej chwili bez uprzedzenia.

### Informacja dotycząca poziomu hałasu i wibracji

Mierzone wartości było określone według EN60745 i zadeklarowane zgodnie z ISO 4871.

Zmierzony poziom dźwięku A: 98 dB (A)

Mierzony ciśnienie akustyczne A: 87 dB (A)

Niepewność KpA: 3 dB (A)

Używaj ochraniacza uszu.

Wartość całkowita wibracji (trójosiowa suma wektorowa), określona zgodnie z postanowieniami normy EN60745.

Szlifowanie powierzchni:

wartość emisji wibracji  $a_h$ ,  $AG = 6,3 \text{ m/s}^2$

Niepewność  $K = 1,5 \text{ m/s}^2$

## OSTRZEŻENIE

- Wartość emisji wibracji podczas pracy narzędzia elektrycznego może różnić się od podanej wartości w zależności od sposobu wykorzystywania narzędzia.
- Aby określić środki bezpieczeństwa wymagane do ochrony operatora zgodnie z szacowaną wartością narażenia na zagrożenie w zależności od rzeczywistych warunków użytkowania (uwzględniając wszystkie etapy cyklu roboczego, a także przerwy w pracy urządzenia oraz praca w trybie gotowości).

## SZERSZÁMGÉPEKRE VONATKOZÓ ÁLTALÁNOS BIZTONSÁGI FIGYELMEZTETÉSEK

### FIGYELEM

Olvasson el minden biztonsági figyelmeztetést és minden utasítást.

A figyelmeztetések és utasítások be nem tartása áramütést, tüzet és/vagy súlyos sérülést eredményezhet.

Őrizzen meg minden figyelmeztetést és utasítást a jövőbeni hivatkozás érdekében.

A "szerszám gép" kifejezés a figyelmeztetésekben a hálózatról működő (vezetékes) vagy akkumulátorról működő (vezeték nélküli) szerszám gépre vonatkozik.

### 1) Munkaterületi biztonságr

a) **Tartsa a munkaterület tisztán és jól megvilágítva.**

*A teleszűrt vagy sötét területek vonzzák a baleseteket.*

b) **Ne üzemeltesse a szerszám gépeket robbanásveszélyes atmoszférában, mint például gyúlékony folyadékok, gázok vagy por jelenlétében.**

*A szerszám gépek szikrákat keltenek, amelyek meggyújthatják a port vagy gőzöket.*

c) **Tartsa távol a gyermekeket és körülállókat, miközben a szerszám gépet üzemelteti.**

*A figyelemelvonás a kontroll elvesztését okozhatja.*

### 2) Érintésvédelem

a) **A szerszám gép dugaszoknak meg kell felelniük az aljzatnak.**

*Soha, semmilyen módon ne módosítsa a dugaszt. Ne használjon semmilyen adapter dugaszt földelt szerszám gépekkel.*

*A nem módosított dugaszok és a megfelelő aljzatok csökkentik az áramütés kockázatát.*

b) **Kerülje a test érintkezését földelt felületekkel, mint például csövekkel, radiátorokkal, tűzhelyekkel és hűtőszekrényekkel.**

*Az áramütés kockázata megnövekszik, ha a teste földelvé van.*

c) **Ne tegye ki a szerszám gépeket esőnek vagy nedves körülményeknek.**

*A szerszám gépbe kerülő víz növeli az áramütés kockázatát.*

d) **Ne rongálja meg a vezetéket. Soha ne használja a vezetéket a szerszám gép szállítására, húzására vagy kihúzására.**

*Tartsa távol a vezetéket a hőtől, olajtól, éles szegélyektől vagy mozgó alkatrészekről.*

*A sérült vagy összekuszálódott vezetékek növelik az áramütés kockázatát.*

e) **Szerszám gép szabadban történő üzemeltése esetén használjon szabadtéri használatra alkalmas hosszabbító kábelt.**

*A szabadtéri használatra alkalmas kábel használata csökkenti az áramütés kockázatát.*

f) **Ha elkerülhetetlen a szerszám gép nyirkos helyen történő használata, használjon maradékáram-készülékkel (RCD) védett táplálást.**

*Az RCD használata csökkenti az áramütés kockázatát.*

### 3) Személyi biztonságr

a) **Álljon készenlétben, figyelje, hogy mit tesz, és használja a józan eszét a szerszám gép üzemeltetésekor.**

**Ne használja a szerszám gépet fáradtan, kábítószert, alkoholt vagy gyógyszer befolyása alatt.**

*A szerszám gépek üzemeltetése közben egy pillanatnyi figyelmetlenség súlyos személyi sérülést eredményezhet.*

b) **Használjon személyi védőfelszerelést. Mindig viseljen védőszemüveget.**

*A megfelelő körülmények esetén használt védőfelszerelés, mint például a porlarc, nem csúszó biztonsági cipő, kemény sisak, vagy hallásvédő csökkenti a személyi sérüléseket.*

c) **Előzze meg a véletlen elindítást. Győződjön meg arról, hogy a kapcsoló a KI helyzetben van, mielőtt csatlakoztatja az áramforráshoz és/vagy az akkumulátorcsomaghoz, amikor felveszi vagy szállítja a szerszámot.**

*A szerszám gépek szállítása úgy, hogy az ujjá a kapcsolón van vagy a bekapcsolt helyzetű szerszám gépek áram alá helyezése vonzza a baleseteket.*

d) **Távolítson el minden állítókulcsot vagy csavarkulcsot, mielőtt bekapcsolja a szerszám gépet.**

*A szerszám gép forgó részéhez csatlakoztatva hagyott csavarkulcs vagy kulcs személyi sérülést eredményezhet.*

e) **Ne nyúljon át. Mindenkor álljon stabilan, és őrizze meg egyensúlyát.**

*Ez lehetővé teszi a szerszám gép jobb ellenőrzését váratlan helyzetekben.*

f) **Öltözzön megfelelően. Ne viseljen laza ruházatot vagy ékszert. Tartsa távol a haját, ruházatát és kesztyűjét a mozgó részekről.**

*A laza ruházat, ékszer vagy hosszú haj beakadhat a mozgó részekbe.*

g) **Ha vannak rendelkezésre bocsátott eszközök a porelszívó és gyűjtő létesítmények csatlakoztatásához, gondoskodjon arról, hogy ezek csatlakoztatva és megfelelően használva legyenek. A porgyűjtő használata csökkentheti a porhoz kapcsolódó veszélyeket.**

### 4) A szerszám gép használata és ápolása

a) **Ne erőltesse a szerszám gépet. Használjon az alkalmazásához megfelelő szerszám gépet.**

*A megfelelő szerszám gép jobban és biztonságosabban végzi el a feladatot azon a sebességen, amelyre azt tervezték.*

b) **Ne használja a szerszám gépet, ha a kapcsoló nem kapcsolja azt be és ki.**

*Az a szerszám gép, amely a kapcsolóval nem vezérelhető, veszélyes és meg kell javítani.*

c) **Húzza ki a dugaszt az áramforrásból és/vagy az akkumulátorcsomagot a szerszám gépből, mielőtt bármilyen beállítást végez, tartozékokat cserél vagy tárolja a szerszám gépeket.**

*Az ilyen megelőző biztonsági intézkedések csökkentik a szerszám gép véletlen beindulásának kockázatát.*

d) **A használaton kívüli szerszám gépeket tárolja úgy, hogy gyermekek ne érhessek el, és ne engedje meg, hogy a szerszám gépet vagy ezeket az utasításokat nem ismerő személyek üzemeltessék a szerszám gépet.**

*Képzetlen felhasználók kezében a szerszám gépek veszélyesek.*

e) **A szerszám gépek karbantartása. Ellenőrizze a helytelen beállítást, a mozgó részek elakadása, alkatrészek törése és minden olyan körülmény szempontjából, amelyek befolyásolhatják a szerszám működését.**

**Ha sérült, használat előtt javíttassa meg a szerszámot.**

*Sok balesetet a rosszul karbantartott szerszámgépek okoznak.*

- f) **A vágószerszámokat tartsa élesen és tisztán.**  
*Az éles vágóélekkel rendelkező, megfelelően karbantartott vágószerszámok kevésbé valószínűen akadnak el és könnyebben kezelhetők.*
- g) **A szerszámgép tartozékait és betétekeit, stb. használja ezeknek az utasításoknak megfelelően, figyelembe véve a munkakörülményeket és a végzendő munkát.**

*A szerszámgép olyan műveletekre történő használata, amelyek különböznek a szándékoltaktól, veszélyes helyzetet eredményezhet.*

## 5) Szervíz

- a) **A szerszámgépét képesített javító személyiel szervizeltesse, csak azonos cserealkatrészek használatával.**

*Ez biztosítja, hogy a szerszámgép biztonsága megmaradjon.*

## VIGYÁZAT

**Tartsa távol a gyermekeket és beteg személyeket. Akkorinincs használatban, a szerszámokat úgy kell tárolni, hogy gyermekek és beteg személyek ne érhessék el.**

## BIZTONSÁGI FIGYELMEZTETÉSEK CSISZOLÓ ÉS VÁGÓ MŰVELETEKHEZ

- a) **Ez az elektromos kéziszerszám csiszolásra és vágásra lett tervezve. Olvasson el minden biztonsági figyelmeztetést, útmutatást, illusztrációt és specifikációt, amely az elektromos kéziszerszámhoz lett mellékelve.**  
*Az alább felsorolt útmutatások be nem tartása áramütéshez, tűz kialakulásához és/vagy súlyos sérüléshez vezethet.*
- b) **Az olyan műveletek végrehajtása, mint a homokcsiszolás, a drótkéfézés vagy a polírozás nem ajánlott ezzel az elektromos kéziszerszámmal.**  
*Az olyan műveletek végrehajtása, amelyekre az elektromos kéziszerszám nem lett felkészítve, veszélyesek lehetnek és személyi sérülést okozhatnak.*
- c) **Ne használjon olyan tartozékokat, amelyeket a kéziszerszám gyártója nem kifejezetten ehhez az elektromos kéziszerszámhoz tervezett.**  
*Az, hogy a tartozék csatlakoztatható az elektromos kéziszerszámhoz, még nem jelenti azt, hogy az biztonságosan is használható.*
- d) **A tartozék hitelesített sebességének legalább akkorának kell lennie, mint az elektromos kéziszerszám maximális sebessége.**  
*Ha a tartozék a hitelesített sebességénél gyorsabban üzemel, akkor az eltörhet és szíjjel repülhet.*
- e) **A tartozék külső átmérőjének és vastagságának az elektromos kéziszerszám hitelesített kapacitásán belül kell lennie.**  
*A nem megfelelő méretű tartozékokat nem lehet megfelelően levedéni és kontrollálni.*
- f) **A tárcsáknak, a peremeknek, a támasztékoknak, és minden egyéb tartozéknak tökéletesen kell illeszkednie az elektromos kéziszerszám tengelyéhez.**  
*Az olyan tartozékok, amelyek furatai nem felelnek meg pontosan az elektromos kéziszerszám rögzítő*

*elemének, elveszítik egyensúlyukat, erősen rázkódnak, és így a kezelő elveszítheti a kéziszerszám feletti uralmat.*

- g) **Ne használjon sérült tartozékokat. A használat előtt mindig ellenőrizze a tartozékokat, így a csiszolókorongot, hogy nincs-e rajta csorba vagy repedés, a támasztékok, hogy nincs-e rajta repedés vagy nincs-e túlzottan elkopva, a drótkéfé, hogy nincs-e meglazulva vagy nincsenek-e rajta törött drótszálok. Ha az elektromos kéziszerszámot vagy a tartozékokat leejti, nézze meg, hogy nem sérült-e meg, vagy helyezzen fel egy ép tartozékokat. A tartozék ellenőrzése és felhelyezése után helyezkedjen Ön és a közelben állók a forgó tartozék síkján kívül, és járassa egy percig az elektromos kéziszerszámot maximális sebességen, terhelés nélkül.**

*A sérült tartozékok ezen teszt során általában eltörnek.*

- h) **Viseljen védőfelszerelést. Alkalmazástól függően, használjon védőmaszkot, védőszemüveget vagy védőkesztyűt. Szükség esetén viseljen maszkot, fül dugót, kesztyűt és munkakötenyt, amely képes megállítani az elszálló repeszeket.**

*A védőszemüvegnek képesnek kell lennie a különböző műveletek során keletkező szálló repeszek megállítására. A maszknak vagy gázálarcnak képesnek kell lennie a művelet során keletkező por kiszűrésére. A hosszú ideig tartó erős zajhatás halláskárosodást okozhat.*

- i) **A közelben állókat tartsa biztonságos távolságban a munkaterülettől. Aki belép a munkaterületre, annak védőfelszerelést kell viselnie.**

*A munkadarab repeszei vagy egy letört tartozék szállhat, és végzetes kimenetelű sérülést okozhat.*

- j) **Az elektromos kéziszerszámot kizárólag a szigetelt markolórésznél fogja, ha olyan műveletet hajt végre, ahol a vágó tartozék rejtett vezetőkeket vagy a saját kábelt vághatja el.**  
*Ha a vágó tartozék elektromos áram alatt lévő vezetékhez ér, akkor az elektromos kéziszerszám szabadon lévő fém részei elektromos áram alá kerülnek, és megrázzák a kezelőt.*

- k) **A forgó tartozéktól távol helyezze el a kábelt.**  
*Ha elveszti az uralmat a kéziszerszám felett, akkor a kábel elvágódhat, és az Ön kezét vagy karját beránthatja a forgó tartozék.*

- l) **Ne tegye le addig az elektromos kéziszerszámot, amíg a tartozék teljesen meg nem állt.**  
*A forgó tartozék beleakadhat a felületbe, és kiranthatja kezéből az elektromos kéziszerszámot.*

- m) **Ne használja az elektromos kéziszerszámot, ha azt az oldalánál fogva hordozza.**

*A forgó tartozék bekaphatja a ruhát, majd az Ön testét.*

- n) **Rendszeresen tisztítsa meg az elektromos kéziszerszám szellőzőnyílásait.**

*A motor ventilátora beszívja a port a borítás alá, és a nagy mennyiségben felhalmozódott fémpor áramütést okozhat.*

- o) **Ne használja az elektromos kéziszerszámot gyúlékony anyagok közelében.**

*A szikrák lángra gyújthatják ezeket az anyagokat.*

- p) **Ne használjon olyan tartozékokat, amelyek hűtőfolyadékot igényelnek.**

*Víz vagy egyéb hűtőfolyadék használata áramütéshez vezethet.*

## VISSZARÚGÁS ÉS AZ ARRÁ VONATKOZÓ FIGYELMEZTETÉSEK

A visszarágás egy hirtelen reakció egy blokkolt, beragadt forgókorong, csiszolólemez, kefe vagy más tartozék esetén. A beszorulás, beragadás hirtelen leállást, sebességvesztést okoz a forgó tartozékoknál, amely a nem kontrollálható szerszámot ellentétes irányú forgásra kényszeríti.

Például, ha az csiszolókorong beragad, beszorul egy munkadarab miatt, a korong szélei, amelyek a felületen érintkeznek, visszarágást eredményeznek. A korong kiugorhat a használó felé vagy attól másik irányba, attól függően, hogy a korong mozgása a munkadarabon merre fele történt. A csiszolókorong el is törhet ezek miatt.

A visszarágás a szerszám gép helytelen/nem rendeltetésszerű használatából adódhat és az alábbi óvintézkedésekkel megelőzhető.

- a) Egy jó fogású markolat a szerszám gépre való szerelése, és a test, kéz megfelelő elhelyezése lehetővé teszi a visszarágó erő elleni ellenállást. Minden esetben használjon kiegészítő fogantyút, hogy a visszarágást, torzítást a beindításnál kontrollálni tudja.

A használó kontrollálni tudja a torzítást ill. a visszarágást, ha megfelelő óvintézkedéseket tesz.

- b) Ne tegye a kezét a forgó tartozékok közelébe. A tartozékok visszarághatnak a kezén túl is.

- c) Ne helyezze arra a helyre a testét, ahová a visszarágás során a szerszám gép mozdulhat.

A visszarágás során a szerszám az ellentétes irányban mozog a korongmozgással a beszorulás helyén.

- d) Legyen különös figyelemmel, ha sarkokkal, éles részekkel stb. dolgozik. Kerülje a tartozékok beakadását, beszorulását.

A sarkok, éles részek vagy az ugrálás beszoríthatja a forgó tartozékokat, és a kontroll szerszám gépen történő elvesztését vagy visszarágást eredményezhet.

- e) Ne csatoljon fűrészláncot, fafaragó pengét vagy fogas fűrészpengét a készülékre.

Ezek a pengék sűrű visszarágást, a kontroll szerszám gépen történő elvesztését okozhatják.

## BIZTONSÁGI FIGYELMEZTETÉSEK CSISZOLÁSRA ÉS A DARABOLÁSI FOLYAMATRA VONAKOZÓAN

- a) Csak olyan korong típusokat alkalmazzon, amelyek javasoltak a szerszám gép használatához, valamint használja a kiválasztott koronghoz a specifikus védőberendezést.

Az olyan korongok, amelyeket nem a szerszám géphez alakítottak ki, veszélyesek és nem biztonságosak.

- b) A védőberendezést biztonságosan csatolja a szerszám gépre és helyezze el úgy, hogy az maximális védelmet nyújtson, hogy a korongból a legkisebb rész nézzen a használó felé.

A védőberendezés segít megvédeni a használót a törött korongszilánkoktól, és a véletlen koronggal való érintkezéskor.

- c) A korongokat csak a javasolt felhasználási módon használjon. Például: ne dörzsölje, élesítse a vágókorong oldalát.

A vágókorongokat periferikus vágásra alakították ki, az oldalsó erőkifejtés a korongra összetörheti azt.

- d) Minden esetben sértetlen korongperemeket használjon, amely megfelelő méretű és alakú a kiválasztott korongnak.

A megfelelő korongperem megvédi az eltöréstől, csökkenti annak valószínűségét. A daraboló korong pereme eltér a csiszolókorong peremétől.

- e) Ne használjon nagyobb szerszám gépről való használt korongokat.

A nagyobb szerszám géphez való korongok nem alkalmasak nagyobb sebességű, kisebb szerszám gépekhez, el is törhetnek.

## KIEGÉSZÍTŐ BIZTONSÁGI FIGYELMEZTETÉSEK A DARABOLÓ MŰVELETRE VONATKOZÓAN

- a) Ne fejtse ki nagy nyomást a daraboló korongra. Ne erősítse a vágási mélységet.

A korong túlterhelése megnöveli a terhelést és a korong billeghet a vágásban, visszarágást vagy a korong eltörését okozhatja.

- b) Ne helyezze a testét a forgó koronggal egy vonalba, vagy az mögé.

Ha a korong a működtetés során a testtől elfelé forog, a visszarágás közvetlenül Ön felé fog történni.

- c) Ha a korong beszorul, vagy bármilyen okból a vágás abbamarad, kapcsolja ki a szerszám gépet, és tartsa a szerszám gépet mozdulatlanul, amíg a korong teljesen meg nem áll. Ne vegye le a vágókorongot a vágásból, ha a korong még mozgásban van, mert az visszarágást eredményezhet.

Tegyen óvintézkedéseket a kerék beszorulása ellen.

- d) Ne indítsa újra a vágási folyamatot a munkadarabon. Engedje, hogy a korong elérje a teljes sebességet, tegye a gépet óvatosan a vágatra.

A korong beszorulhat, fel-alá járhat, vagy visszarághat, ha a szerszám gépet a munkadarabon indítja újra.

- e) Támasztó panelek és túlméretezett munkadarabok a tárcsa becsípődés és a visszarágás minimalizálására.

A nagyobb munkadarabok hajlamosak megsülyedni saját súlyuk alatt. A támasztékokat a munkadarab alá, a vágási vonal mellé, továbbá a tárcsa mindkét oldalán lévő munkadarab széléhez kell helyezni.

- f) Meglévő falak, vagy egyéb nem látható területek vágásakor nagyobb odafigyelés szükséges.

A kiálló tárcsa elvághatja a gáz- vagy vízcsöveket, az elektromos vezetéket vagy olyan tárgyakat, amik visszarágást okozhatnak.

## CSISZOLÓKRA VONATKOZÓ ÁLTALÁNOS BIZTONSÁGI UTASÍTÁSOK

- Ellenőrizze, hogy a korong jelzett fordulatszám megegyezik-e vagy nagyobb-e, mint a csiszoló névleges fordulatszám;
- Győződjön meg róla, hogy a korong méretei kompatibilisak a csiszolóval;
- A csiszolókorongokat a gyártó utasításainak megfelelően gondosan kell tárolni és kezelni;
- Használat előtt ellenőrizze a csiszolókorongot, ne használjon csorba, repedt vagy egyéb módon hibás termékeket;



- Gondoskodjon róla, hogy a felszerelt korongok és pontok a gyártó utasításainak megfelelően illeszkedjenek;
- Gondoskodjon róla, hogy az itatóspapírok használatra kerüljenek, ha azok mellékelve vannak a kötőanyag csiszoló termékekhez, és amikor szükségesek;
- Használat előtt győződjön meg róla, hogy a csiszoló termék helyesen van felszerelve és meghúzva, és biztonságos helyzetben üzemeltesse terhelés nélkül 30 másodpercig a szerszámot, és azonnal állítsa le, ha jelentős rezgést vagy egyéb hibát észlel. Ha ez a körülmény fordul elő, ellenőrizze a gépet az ok meghatározásához;
- Ha a szerszám védőfedéllel van felszerelve, soha ne használja a szerszámot a védőfedél nélkül;
- Ne használjon külön szűkítő perselyeket vagy adaptereket a nagy lyukú csiszolókorongok illesztésére;
- Azoknak a szerszámoknak az esetén, amelyeket menetes furatú koronggal történő felszerelésre szántak, győződjön meg róla, hogy a korongban a menet elegendően hosszú ahhoz, hogy befogadja az orsó hosszát;
- Ellenőrizze, hogy a munkadarab megfelelően alá van-e támasztva;
- Ne használjon vágókorongot oldalsó csiszolásra;
- Gondoskodjon róla, hogy a használat közben keletkező szikrák ne okozzanak veszélyt, pl. ne találjanak el személyeket, vagy ne gyútsanak fel éghető anyagokat;
- Gondoskodjon róla, hogy a szellőzőnyílások szabadon maradjanak, amikor poros körülmények között dolgozik, ha szükségesé válna a portól való megtisztítás, először csatlakoztassa le a szerszámot a hálózatról (használaton nemfémes tárgyakat), és kerülje el a belső részek megsértését;
- Mindig használjon szem- és fülvédőt. Viseljen egyéb személyi védőfelszerelést is, mint például porálarcot, kesztyűt, sisakot és kóntényt;
- Figyeljen rá, hogy a korong tovább forog, miután a szerszám lekapcsolásra került.

## MŰSZAKI ADATOK

Modell	G10SS	G12SS	G13SS
Feszültség (terület szerint)*	(110V, 120V, 220V, 230V, 240V) $\nu$		
Névleges teljesítményfelvétel*	580 W		
Üresjárat fordulatszám	11000 min <sup>-1</sup>		10000 min <sup>-1</sup>
Tárcsa	Külső átmérő x Furat átmérő	100 × 16 mm	115 × 22 mm
	Kerületi sebesség	72 m/s	80 m/s
Súly (Csak maga a készülék)	1,4 kg		

\*Ne felejtse el ellenőrizni a típustáblán feltüntetett adatokat, mivel ezek eladási területenként változnak!

## MŰSZAKI ADATOK

- (1) Csavarkulcs ..... 1  
 (2) Oldalfogantyú ..... 1  
 A standard tartozékok előzetes tájékoztatás nélkül változhatnak.

## ALKALMAZÁSOK

- Különböző acél-, bronz-, és alumínium anyagok valamint öntvények öntési sorjainak eltávolítása, illetve az ilyen anyagok felületi megmunkálása.
- Hegesztett, vagy lángvágással vágott profilok köszörülése.

## AZ ÜZEMBEHELYEZÉS ELŐTTI TENNIVALÓK

### 1. Áramforrás

Ügyeljen rá, hogy a készülék adattábláján feltüntetett feszültség értéke megegyezzen az alkalmazni kívánt hálózati feszültséggel.

### 2. Hálózati kapcsoló

Ügyeljen rá, hogy a hálózati kapcsoló KI állásba legyen kapcsolva. Ha a csatlakozódugót úgy csatlakoztatja a dugaszolóaljzatba, hogy közben a hálózati kapcsoló BE állásban van, a kéziszerszám azonnal működésbe lép, ami súlyos balesetet idézhet elő.

### 3. Hosszabbító vezeték

Ha a munkaterület az áramforrástól távol található, akkor egy megfelelő keresztmetszetű és teljesítményű hosszabbító vezetékkel kell alkalmazni. A hosszabbító vezetéknek a lehető legrövidebbnek kell lennie.

### 4. A tárcsavédő felszerelése és beállítása

A tárcsavédő egy balesetvédelmi eszköz, ami a süllyesztett középső tárcsa üzemelés közbeni szétrobbanása esetén a személyi sérülések ellen nyújt védelmet. A köszörülés megkezdése előtt ellenőrizze, hogy a tárcsavédő megfelelően fel legyen szerelve és a helyére legyen rögzítve.

A lehető legjobb működési hatékonyság érdekében a tárcsavédő a rögzítő csavar kismértékű fellazítása után elfordítható, és tetszés szerinti szögbe állítható. Ügyeljen rá, hogy a tárcsavédő beállítása után a rögzítőcsavar erősen meg legyen húzva.

5. Ügyeljen rá, hogy a tárcsák és rögzítőelemek a gyártó utasításainak megfelelően legyenek a helyükre szerelve. Ellenőrizze, hogy az alkalmazott süllyesztett középső tárcsa megfelelő típusú legyen, és ne tartalmazzon repedéseket illetve felületi hibákat. Ugyancsak ellenőrizze, hogy a süllyesztett középső tárcsa megfelelő módon legyen felszerelve, és a tárcsarögzítő anyja megfelelően meg legyen húzva. Lásd a „A SÜLLYESTETT KÖZEPŰ TÁRCSA ÖSSZESZERELÉSE ÉS SZÉTSZERELÉSE” című fejezetet.

Ügyeljen rá, hogy a kötőanyaggal készített köszőrűfejhez esetleg mellékelt felitató anyag szükség szerint alkalmazva legyen.

Ne használjon külön szűkítő betéteket illetve adaptereket a nagyobb furatú köszőrútárcsák felszereléséhez.

A menetes furatú tárcsákat alkalmazó kéziszerszámoknál ügyeljen arra, hogy a tárcsában levő menet elég hosszú legyen a tengely hosszának megfelelően.

#### 6. Próbaköszőrülés végrehajtása

Használat előtt ellenőrizze, hogy a köszőrűfej megfelelően fel van-e szerelve és rögzítve, majd a biztonságos helyzetben tartott kéziszerszámot terhelés nélkül futtassa 30 másodpercig. Azonnal állítsa le a kéziszerszámot, ha nagymértékű vibrációt, vagy más rendellenességet tapasztal.

Ilyen esetben ellenőrizze le a gépet annak kiderítéséhez, hogy mi okozta a rendellenességet.

#### 7. A nyomógomb működésének ellenőrzése

A kéziszerszám bekapcsolása előtt a nyomógomb kétszer-háromszor történő megnyomásával ellenőrizze, hogy a nyomógomb szabadon kikapcsol-e (lásd 2. Ábra).

#### 8. Az oldalfogantyú felszerelése

Csavarja az oldalfogantyút a hajtóműház fedelébe.

## A KÉZIKÖSZÖRŰ GYAKORLATI KEZELÉSE

### 1. Nyomás

A gép élettartamának meghosszabbítása, valamint a minőségi munkavégzés érdekében fontos, hogy a gép ne legyen túlterhelve a túlságosan erős nyomás kifejtése miatt. A legtöbb esetben a gép saját súlya elegendő a hatékony köszőrülés eléréséhez. A túl nagy nyomás kifejtése csökkent fordulatszámot, rosszabb minőségű felületet, és a gép élettartamának csökkenéséhez vezet a túlterhelést okoz.

### 2. Köszőrülési szög

A süllyesztett közepű köszőrútárcsának ne fektesse fel a teljes felületét a köszőrülendő munkadarabhoz. Amint az az 1. Ábrán látható, a gépet 15° – 30° szögben kell tartani úgy, hogy a süllyesztett közepű tárcsa külső éle optimálisan szögben érintkezzen a munkadarabbal.

3. Annak megakadályozására, nehogy egy új süllyesztett közepű tárcsa bemarja a munkadarabot, a köszőrülést kezdetben úgy kell végezni, hogy a köszőrút a munkadarabon keresztül a gép kezelője felé kell húzni (1. Ábra, B irány). Ha a süllyesztett közepű tárcsa éle megfelelő mértékben lekopott, a köszőrülést bármelyik irányban lehet végezni.

### 4. A közvetlenül a felületi megmunkálás után betartandó óvintézkedések

A tárcsa a kéziszerszám kikapcsolása után még tovább forog.

Kikapcsolás után ne tegye le a gépet mindaddig, amíg a süllyesztett közepű tárcsa teljesen le nem állt. A súlyos balesetek veszélyének az elkerülése mellett ilyen módon csökken a munkahelyen a por mértéke, és a gép által beszívott reszelékek mennyisége.

### ÓVINTÉZKEDÉSEK

○ Ellenőrizze, hogy a munkadarab megfelelően alá legyen támasztva.

○ Ügyeljen rá, hogy poros helyen történő munkavégzés esetén szabadon maradjanak a szellőztető nyílások. Amennyiben a felgyülemllett port el kell távolítani, először húzza ki a gép csatlakozódugóját a hálózati dugaszolóaljzatból (használon valamilyen nem fémből készült tárgyat), és ügyeljen rá, nehogy megsérüljenek a gép belső alkatrészei.

○ Ügyeljen rá, hogy a használat során keletkező szikrák ne idézzenek elő veszélyes helyzetet (pl. ne repüljenek emberek elé, illetve ne gyújtsanak be valamilyen gyúlékony anyagot).

○ Mindig viseljen valamilyen szem- illetve fülvédő eszközt. Szükség esetén más személyi munkavédelmi eszközöket, pl. porvédő álarcot, kesztyűt, védősisakot, valamint kötenyt is viselni kell.

Ha nem biztos benne, hogy egy adott védőfelszerelésre szükség van-e, a biztonság kedvéért mégis használja azt.

○ Ha a gépet nem használják, a csatlakozódugót ki kell húzni a hálózati dugaszolóaljzatból.

## A SÜLLYESZTETT KÖZEPŰ TÁRCSA ÖSSZESZERELÉSE ÉS SZÉTSZERELÉSE (2. Ábra)

**FIGYELEM:** A súlyos sérülések elkerülése érdekében ügyeljen rá, hogy a gép KI legyen kapcsolva, és a csatlakozódugó ki legyen húzva a hálózati dugaszolóaljzatból.

### 1. Összeszerelés (2. Ábra)

(1) Fordítsa a kézi köszőrűgépet a hátoldalára, hogy a tengely felfelé nézzen.

(2) Állítsa a tárcsa alátétének lapos részét a tengely bevágott részéhez, és illeszse össze őket.

(3) Illeszse a süllyesztett közepű tárcsa kidudorodását a tárcsa alátétére.

(4) Csavarja a tengelyre a tárcsarögzítő anyát.

(5) A nyomógomb egyik kézzel történő megnyomása mellett reteszelve helyére a tárcsát úgy, hogy közben a másik kezével lassan elforgatja a süllyesztett közepű tárcsát. A mellékelt csavarkulccsal a 2. Ábrán látható módon húzza meg a tárcsarögzítő anyát.

### 2. Szétszerelés

Kövesse a fenti eljárást, fordított sorrendben.

### FIGYELMEZTETÉSEK

○ Ellenőrizze, hogy a süllyesztett közepű tárcsa szilárdan a helyére legyen szerelve.

○ A kéziszerszám bekapcsolása előtt a nyomógomb kétszer-háromszor történő megnyomásával ellenőrizze, hogy a nyomógomb szabadon kikapcsol-e.

## ELLENŐRZÉS ÉS KARBANTARTÁS

### 1. A süllyesztett közepű tárcsa ellenőrzése

Ellenőrizze, hogy a süllyesztett közepű tárcsán ne legyenek repedések vagy egyéb felületi sérülések.

### 2. A rögzítő csavarok ellenőrzése

Rendszeresen ellenőrizzen minden rögzítő csavart, és ügyeljen rá, hogy azok megfelelően meg legyenek szorítva. Minden meglazult csavart azonnal szorítson meg. Ennek elhanyagolása súlyos veszélyeket hozhat magában.

**3. A szénkefék ellenőrzése (3. Ábra)**

A motor szénkefákat tartalmaz, amelyek fogyóeszköznek számító alkatrészek. Mivel a túlságosan elkopott szénkefe a motor hibáit okozhatja, ezért az ábrán látható számmal megegyező számú szénkefákra cserélje ki a szénkefákat, ha azok a „kopási határ” közeléig elkoptak. Emellett a szénkefákat mindig tartsa tisztán, és ügyeljen arra, hogy a szénkefék szabadon elcsúszhassanak tartójukban.

**4. A szénkefék cseréje**

Lapos csavarhúzó segítségével szerelje szét a szénkefetartó házakat. A szénkefék ekkor egyszerűen eltávolíthatók.

**5. A motor karbantartása**

A motor tekerceselése az elektromos szerszám „szíve”. Gondosan ügyeljen rá, hogy a tekerceselés ne sérüljön, illetve ne kerüljön kapcsolatba olajjal vagy vízzel.

**6. Szervizelési alkatrészlista****FIGYELEM!**

A Hitachi kéziszerszámok javítását, módosítását, illetve ellenőrzését kizárólag Hitachi szakszervizben szabad elvégezteni.

Ez az alkatrészlista a szerszám javításra vagy egyéb karbantartásra egy Hitachi szakszervizbe történő bevitelkor jelent segítséget.

A kéziszerszámok üzemeltetése és karbantartása során be kell tartani az adott országban érvényes biztonsági előírásokat és szabványokat.

**MÓDOSÍTÁSOK:**

A Hitachi kéziszerszámok állandó tökéletesítéseken mennek át, hogy alkalmazni tudják a legújabb műszaki fejlesztések eredményeit.

Éppen ezért egyes alkatrészek előzetes bejelentés nélkül megváltozhatnak.

**GARANCIA**

A Hitachi Power Tools szerszámokra a törvényes/országos előírásoknak megfelelő garanciát vállalunk. A garancia nem vonatkozik a helytelen vagy nem rendeltetésszerű használatból, továbbá a normál mértékűnek számító elhasználódásból, kopásból származó meghibásodásokra, károokra. Reklamáció esetén kérjük, küldje el a - nem szétszerelt - szerszámot a kezelési útmutató végén található GARANCIA BIZONYLATTAL együtt a hivatalos Hitachi szervizközpontba.

**MEGJEGYZÉS:**

A HITACHI folyamatos kutatási és fejlesztési programja következtében az itt szereplő műszaki adatok előzetes bejelentés nélkül változhatnak.

**A környezeti zajra és vibrációra vonatkozó információk**

A mért értékek az EN60745 szabványnak megfelelően kerültek meghatározásra és az ISO 4871 alapján kerülnek közzétételre.

Mért A hangteljesítmény-szint: 98 dB (A)

Mért A hangnyomás-szint: 87 dB (A)

Bizonytalanság KpA: 3 dB (A)

Viseljen hallásvédelmi eszközt.

VEN60745 szerint meghatározott rezgési összértékek (háromtengelyű vektorösszeg).

Felület csiszolása:

Rezgési kibocsátási érték **a<sub>h</sub>**, **AG** = 6,3 m/s<sup>2</sup>

Bizonytalanság K = 1,5 m/s<sup>2</sup>

**FIGYELEM**

- A rezgési kibocsátási érték a szerszám gép tényleges használata során különbözhet a megadott értéktől a szerszám használatának módjaitól függően.
- A kezelő védelméhez szükséges biztonsági intézkedések azonosításához, amelyek a használat tényleges körülményeinek való kitétség becslésén alapulnak (számításba véve az üzemeltetési ciklus minden részét, mint például az időket, amikor a szerszám ki van kapcsolva, és amikor üresjáratban fut a bekapcsolási időn túl).

## OBCENÁ VAROVÁNÍ TÝKAJÍCÍ SE BEZPEČNOSTI EL. PŘÍSTROJE

### ⚠ UPOZORNĚNÍ

Přečtěte si všechna varování týkající se bezpečnosti a všechny pokyny.

Neododržení těchto varování a pokynů může mít za následek elektrický šok, požár a/nebo vážné zranění.

Všechna varování a pokyny si uschovejte. V budoucnu se vám mohou hodit.

Pojem "elektrický nástroj" v těchto varováních se vztahuje k vašemu elektrickému nástroji napájenému ze sítě (se šňůrou) nebo napájenému z baterie (bez šňůry).

#### 1) Bezpečnost na pracovišti

a) Udržujte vaše pracoviště čisté a dobře osvětlené. V důsledku nepořádku nebo tmy dochází k nehodám.

b) Neprovazujte elektrické nástroje ve výbušném ovzduší, např. v přítomnosti hořlavých kapalin, plynů či prachu.

*Elektrické nástroje produkují jiskry, které by mohly zapálit prach anebo plyny.*

c) Během práce s elektrickým nástrojem zabraňte přístupu dětí a přihlížejících osob.

*Rozptylování by mohlo způsobit ztrátu vaší kontroly nad nástrojem.*

#### 2) Elektrická bezpečnost

a) Zástrčka elektrického nástroje musí odpovídat zásuvce.

**Nikdy se nepokoušejte zástrčku jakkoli upravovat.**

U uzemněných elektrických nástrojů nepoužívejte žádné rozbočovací zásuvky.

*Neupravované zástrčky a odpovídající zásuvky snižují nebezpečí elektrického šoku.*

b) Zabraňte kontaktu s uzemněnými povrchy jako jsou trubky, radiátory, sporáky a lednice.

*Je-li uzemněné vaše tělo, existuje zvýšené nebezpečí elektrického šoku.*

c) Nevystavujte elektrický nástroj dešti nebo vlhkým podmínkám.

*Voda, která vnikne do elektrického nástroje, zvyšší nebezpečí elektrického šoku.*

d) Zacházejte správně s napájecí šňůrou. Nikdy šňůru nepoužívejte k přenášení, tahání nebo odpojování elektrického nástroje ze zásuvky.

Umístěte napájecí šňůru mimo působení horka, mimo olej, ostré hrany nebo pohybující se části. *Poškozené nebo zatanuté šňůry zvyšují nebezpečí elektrického šoku.*

e) Během provozu elektrického nástroje venku používejte prodlužovací šňůru vhodnou k venkovnímu použití.

*Použití šňůry vhodné k venkovnímu použití snižuje nebezpečí elektrického šoku.*

f) Pokud je použití elektrického nástroje na vlhkém místě nevyhnutelné, použijte napájení s ochranným zařízením na zbytkový proud.

*Použití zařízení na zbytkový proud snižuje riziko elektrického šoku.*

#### 3) Osobní bezpečnost

a) Buďte pozorní, sledujte, co děláte a při práci s elektrickým nástrojem používejte zdravý rozum. Elektrický nástroj nepoužívejte, jste-li unavení nebo pod vlivem drog, alkoholu nebo léků.

*Jediný okamžik nepozornosti při práci s elektrickým nástrojem může způsobit vážné zranění.*

b) Používejte osobní ochranné pracovní pomůcky. Vždy noste ochranu očí.

*Ochranné pracovní pomůcky jako respirátor, bezpečnostní obuv s protiskluzovou podrážkou, ochranná přilba nebo ochrana sluchu použité v příslušných podmínkách sniží možnost zranění.*

c) Zabraňte nechtěnému spuštění. Před připojením ke zdroji napájení a/nebo bateriového zdroje, zvedáním nebo přenášením elektrického nástroje se ujistěte, že je spínač v poloze vypnuto.

*Nošením elektrických nástrojů s prstem na vypínači nebo jejich aktivací s vypínačem v poloze zapnuto vzniká nebezpečí úrazu.*

d) Před zapnutím elektrického nástroje odstraňte seřizovací klíč.

*Klíč ponechaný připravený k rotující části elektrického nástroje může způsobit zranění.*

e) Nepřehánějte to. Vždy si udržujte správné postavení a stabilitu.

*To umožní lepší kontrolu nad elektrickým nástrojem v nepředvídaných situacích.*

f) Noste správný oděv. Nenoste volné oblečení ani šperky. Vlasy, oděv a rukavice udržujte mimo pohybující se části.

*Volný oděv, šperky nebo dlouhé vlasy mohou být vtaheny do pohybujících se částí.*

g) Pokud jsou k dispozici zařízení k připojení přístrojů k odsávání a sběru prachu, ujistěte se, že jsou připojena a správně používána.

*Použitím zařízení ke sběru prachu lze snížit rizika související s prachem.*

#### 4) Používání a péče o elektrický nástroj

a) **Netlačte na elektrický nástroj. Používejte vždy vhodný elektrický nástroj pro danou aplikaci.** Správný elektrický nástroj provede daný úkol lépe a bezpečněji, rychleji, pro jakou byl zkonstruován.

b) **Nepoužívejte elektrický nástroj, pokud nefunguje jeho zapínání a vypínání pomocí vypínače.**

*Jakýkoli elektrický nástroj, který nelze ovládat vypínačem, je nebezpečný a musí být opraven.*

c) **Před prováděním jakéhokoli seřízení, před výměnou příslušenství nebo uskladněním elektrických nástrojů vždy nejprve odpojte zástrčku ze zdroje napájení a/nebo odpojte bateriový zdroj.**

*Taková preventivní opatření snižují nebezpečí nechtěného spuštění elektrického nástroje.*

d) **Nepoužívané elektrické nástroje skladujte mimo dosah dětí a nedovolte, aby s elektrickým nástrojem pracovaly osoby, které nejsou seznámeny s ním nebo s pokyny k jeho používání.**

*Elektrické nástroje v ruku nevyškolených uživatelů jsou nebezpečné.*

e) **Udržujte elektrické nástroje. Kontrolujte případná vychýlení nebo sevržení pohybujících se částí, poškození částí a jakékoli ostatní podmínky, které mohou mít vliv na provoz elektrických nástrojů.**

**V případě poškození nechte elektrický nástroj před jeho dalším použitím opravit.**

*Mnoho nehod vzniká v důsledku nesprávné údržby elektrických nástrojů.*

- f) **Udržujte řezací nástroje ostré a čisté.**  
*Správně udržované řezací nástroje s ostrými řeznými hranami se méně pravděpodobně zaseknou a lépe se ovládají.*
- g) **Elektrický nástroj, příslušenství, vsazené části atd. používejte v souladu s těmito pokyny. Berte přitom zřetel na pracovní podmínky a prováděnou práci.**  
*Použití elektrického nástroje k jinému než určenému účelu může způsobit nebezpečnou situaci.*

#### 5) Servis

- a) **Servis vašeho elektrického nástroje svěřte kvalifikovanému opraváři, který použije pouze identické náhradní díly.**  
*Tak bude i nadále zajištěna bezpečnost elektrického nástroje.*

#### PREVENTIVNÍ OPATŘENÍ

Nedovolejte přístup dětem a slabomyslným osobám. Pokud nástroje nepoužíváte, měli byste je skladovat mimo dosah dětí a slabomyslných osob.

#### BEZPEČNOSTNÍ VAROVÁNÍ SPOLEČNÁ PRO BROUŠENÍ A ODŘEZÁVÁNÍ

- a) **Tento elektrický nástroj je určen k broušení a odřezávání. Přečtěte si všechna varování, pokyny, obrázky a specifikace, které jsou k tomuto elektrickému nástroji k dispozici.**  
*Nedodržení níže uvedených pokynů může mít za následek elektrický šok, požár a/nebo vážné zranění.*
- b) **Tento elektrický nástroj se nedoporučuje používat k broušení pískem, kartáčování nebo leštění.**  
*Práce, pro které tento elektrický nástroj nebyl určen, mohou způsobit nebezpečí a zranění.*
- c) **Nepoužívejte příslušenství, které není přímo navrženo a doporučeno výrobcem nástroje.**  
*To, že takové příslušenství lze k vašemu elektrickému nástroji připojit, ještě neznamená, že bude jeho provoz bezpečný.*
- d) **Jmenovitá rychlost příslušenství se musí alespoň rovnat maximální rychlosti vyznačené na elektrickém nástroji.**  
*Příslušenství, které bude pracovat vyšší rychlostí, než je jeho jmenovitá rychlost, se může zlomit a odletět.*
- e) **Vnější průměr a tloušťka vašeho příslušenství musí odpovídat kapacitě vašeho elektrického nástroje.**  
*Příslušenství s nesprávnými rozměry nemůže být adekvátně chráněno nebo ovládáno.*
- f) **Osová velikost kol, přírub, podložek nebo jakéhokoliv jiného příslušenství musí správně sedět s vřetenem elektrického nástroje.**  
*Příslušenství s osovými otvory, které nebudou souhlasit s montážní technikou elektrického nástroje, nebudou v rovnováze, budou nadměrně vibrovat a mohou způsobit ztrátu kontroly nad nástrojem.*
- g) **Nepoužívejte poškozené příslušenství. Před každým použitím zkontrolujte příslušenství jako brusné kotouče, zda nejsou ulomené nebo prasklé, podložku, zda nevykazuje praskliny, trhliny nebo nadměrné opotřebení, a kartáč, zda nevykazuje uvolněné nebo prasklé dráty. Pokud elektrický nástroj nebo příslušenství upustíte, zkontrolujte poškození nebo nainstalujte nepoškozené příslušenství. Po kontrole a instalaci příslušenství se vy i přihlízející osoby**

postavte mimo oblast rotujícího příslušenství a na jednu minutu spusťte elektrický nástroj na maximální rychlost bez zátěže.

*Poškozené příslušenství se v normálním případě během tohoto testování rozpadne.*

- h) **Noste profesionální ochranné pracovní pomůcky. V závislosti na daném použití noste ochranný štít a ochranné brýle. Je-li to vhodné, noste respirátor, chrániče sluchu, rukavice a dílenskou zástěru, která dokáže zastavit malé abrazivní části nebo úlomky obrobku.**

*Ochrana očí musí být schopna zastavit odlétající úlomky vznikající při různých operacích. Respirátor musí být schopen filtrovat prachové částice vytvářející se během vaší práce. Dlouhotrvající vystavení vysokému hluku může způsobit ztrátu sluchu.*

- i) **Udržujte přihlízející osoby v bezpečné vzdálenosti od pracovní oblasti. Kdokoli, kdo vstoupí do pracovní oblasti, musí mít na sobě osobní ochranné pomůcky.**

*Úlomky obrobku nebo zlomeného příslušenství mohou odletět a způsobit zranění mimo bezprostřední oblast provozu nástroje.*

- j) **Provádíte-li operaci, při které by se mohlo řezné příslušenství dostat do kontaktu se skrytým elektrickým vedením vlastní napájecí šňůry, držte elektrický nástroj pouze za izolované svěrací plochy.**

*Řezné příslušenství, které se dostane do kontaktu s elektrickým vedením pod proudem, může "nabít" exponované kovové části elektrického nástroje a způsobit uživateli elektrický šok.*

- k) **Umístěte napájecí šňůru mimo rotující příslušenství. Ztratíte-li kontrolu nad nástrojem, může dojít k přeřznutí nebo zachycení šňůry a vaše ruka nebo paže může být vtlačena do rotujícího příslušenství.**

- l) **Nikdy elektrický nástroj nepokládejte, dokud se příslušenství zcela nezastaví.**

*Rotující příslušenství se může zachytit o povrch a stáhnout elektrický nástroj mimo vaši kontrolu.*

- m) **Nedržte elektrický nástroj při práci po svém boku. Náhodným kontaktem s rotujícím příslušenstvím se může příslušenství zachytit za váš oděv a způsobit vám zranění na těle.**

- n) **Pravidelně čistěte větrací otvory elektrického nástroje.**

*Větrák motoru vtahuje prach do těla nástroje a nadměrné nashromáždění kovového prachu může způsobit elektrická nebezpečí.*

- o) **Neprovazujte elektrický nástroj v blízkosti hořlavých materiálů.**

*Jiskry by mohly tyto materiály zapálit.*

- p) **Nepoužívejte příslušenství vyžadující kapalně chladič prostředky.**

*Použití vody nebo jiných kapalných chladičích prostředků může způsobit usmrcení elektrickým proudem nebo šok.*

#### KOPNUTÍ A S TÍM SOUVISEJÍCÍ VAROVÁNÍ

*Kopnutí je náhlá reakce na zaseknutí nebo zachycení rotujícího kotouče, podložky, kartáče či jiného příslušenství. Zaseknutí nebo zachycení způsobí rapidní zastavení rotujícího příslušenství, v důsledku čehož pak dojde k vytlačení neovladatelného elektrického nástroje proti rotaci příslušenství v bodě zadření.*

Pokud se například brusný kotouč zasekne nebo zachytí o obrobek, hrana kotouče, která vstupuje do bodu zaseknutí, se může zaryt do povrchu materiálu a způsobit vyhození nebo vykopnutí kotouče. Kotouč může buď skočit k uživateli nebo od něj odskočit, v závislosti na směru pohybu kotouče v bodě zaseknutí. Brusné kotouče se za těchto podmínek mohou také zlomit.

Kopnutí je důsledkem špatného použití elektrického nástroje a/nebo nesprávného postupu nebo podmínek při práci s ním a lze se mu vyhnout zavedením řádných bezpečnostních opatření uvedených níže.

- a) **Udržujte pevné uchopení elektrického nástroje a umístěte své tělo a paži tak, aby bylo možné klást odpor proti takovým silám při kopnutí. Vždy používejte pomocné držadlo, je-li k dispozici, pro maximální kontrolu nad kopnutím nebo reakčním momentem při spuštění.**

*Uživatel může kontrolovat síly při reakčním momentu nebo kopnutí, pokud jsou zavedena řádná bezpečnostní opatření.*

- b) **Nikdy neumísťujte ruku blízko rotujícího příslušenství.**

*Příslušenství se může odrazit přes vaši ruku.*

- c) **Nestavějte se do oblasti, kam se elektrický nástroj v případě kopnutí odrazí.**

*Kopnutí odhodí nástroj směrem proti pohybu kotouče v bodě zaseknutí.*

- d) **Při práci s rohy, ostrými hranami apod. buďte obzvláště opatrní. Zabraňte odskočení a zachycení příslušenství.**

*Rohy, ostré hrany nebo odsakování mají tendenci zachytit rotující příslušenství a způsobit ztrátu kontroly nebo kopnutí.*

- e) **Nepřipojujte k nástroji kotouč řetězové pily na dřevo ani kotouč ozubené pily.**

*Takové čepele způsobují často kopnutí a ztrátu kontroly.*

- e) **Nepoužívejte opotřeбенé kotouče z větších elektrických nástrojů.**

*Kotouče určené pro větší elektrické nástroje nejsou vhodné pro vyšší rychlosti používané u menších nástrojů a mohou prasknout.*

## DODATEČNÁ BEZPEČNOSTNÍ VAROVÁNÍ SPECIFICKÁ PRO ŘEZÁNÍ

- a) **"Nezadíte" řezný kotouč a netlačte na něj nadměrnou silou. Nesnažte se o nadměrnou hloubku řezu.**

*Nadměrné namáhání kotouče způsobí, že zátěž a sklon kotouče ho stočí nebo ucoup v řezu a může dojít ke kopnutí nebo zlomení kotouče.*

- b) **Nestavějte se v jedné linii s rotujícím kotoučem ani za něj.**

*Když se kotouč během provozu pohybuje směrem od vašeho těla, možné kopnutí může odhodit otáčející se kotouč a celý elektrický nástroj přímo k vám.*

- c) **Když se kotouč zadře nebo přerušíte-li řezání z jakéhokoliv důvodu, vypněte elektrický nástroj a podržte ho nehybně, dokud se kotouč zcela nezastaví. Nikdy se nepokoušejte odstranit řezný kotouč z řezu, zatímco je v pohybu, jinak může dojít ke kopnutí.**

*Prozkoumejte a zaveďte nápravná opatření k eliminaci příčiny zadření kotouče.*

- d) **Řezání nezačínajte znovu v obrobku. Nechejte kotouč, aby dosáhl maximálních otáček, a poté opatrně znovu vstupte do řezu.**

*Pokud elektrický nástroj znovu spustíte v obrobku, kotouč se může zadřít, vyskočit nebo kopnout.*

- e) **Nosiče a jakékoli velké obrobky k minimalizaci rizika zadření a kopnutí.**

*Velké obrobky mají sklon se prohýbat pod svou vlastní váhou. Je třeba umístit podporu pod obrobek v blízkosti linie řezu a okrajů obrobku na obou stranách kola.*

- f) **Věnujte zvýšenou pozornost při "kapsovém řezu" do stávajících stěn nebo jiných krycích míst.**

*Vystupující kola může přeříznout plynové či vodovodní potrubí nebo objekty, které mohou zapříčinit odmrštění.*

## BEZPEČNOSTNÍ VAROVÁNÍ SPECIFICKÁ PRO BROUŠENÍ A ŘEZÁNÍ

- a) **Používejte pouze typy kotoučů, které jsou doporučeny pro váš elektrický nástroj, a specifický kryt určený pro zvolený kotouč.**

*Kotouče, pro které nebyl tento elektrický nástroj určen, nelze adekvátně chránit a jsou nebezpečné.*

- b) **Ochrana musí být bezpečně připevněna k elektrickému nástroji a umístěna tak, aby poskytovala maximální bezpečnost, tzn. aby byl uživatel vystaven co nejmenší části kotouče.**

*Ochrana pomáhá chránit uživatele před zlomenými částmi kotouče a náhodným kontaktem s kotoučem.*

- c) **Kotouče je nutno používat pouze pro doporučené aplikace. Například: boční částí řezného kotouče neprovádějte broušení.**

*Brusné řezné kotouče jsou určeny pro obvodové broušení, boční síla aplikovaná na tyto kotouče může způsobit jejich roztržení.*

- d) **Vždy používejte nepoškozené příruby kotoučů, které mají správnou velikost a tvar pro vámi zvolený kotouč.**

*Správné příruby kotoučů podepírají kotouč a snižují tak možnost zlomení kotouče. Příruby pro řezné kotouče se mohou lišit od přírub pro brusné kotouče.*

## VŠEOBECNÉ BEZPEČNOSTNÍ PŘEDPISY PRO BRUSKY

- Zkontrolujte, zda otáčky uvedené na kotouči jsou stejné nebo vyšší než jmenovité otáčky brusky.
- Přesvědčte se, že rozměry kotouče odpovídají brusce.
- Brusné kotouče je třeba skladovat a zacházet s nimi opatrně podle pokynů výrobce.
- Před použitím zkontrolujte brusný kotouč. Nepoužívejte poškozené, prasklé nebo vadné kotouče.
- Ujistěte se, že namontovaná kotouče a hroty jsou upevněny podle pokynů výrobce.
- Zajistěte, aby se v případě potřeby používaly podkladové kotouče s nalepeným abrazivním materiálem.
- Zajistěte, aby byl brusný kotouč před zahájením práce správným způsobem namontován a dotažen, a nechejte nářadí v chodu bez zatížení po dobu 30 vteřin v bezpečné poloze. Nářadí okamžitě vypněte, pokud dochází ke značným vibracím nebo zjistíte-li jiné závady. Nastane-li tato situace, zkontrolujte nářadí pro zjištění příčiny.

- Je-li součástí výbavy ochranný kryt, nikdy nepoužívejte nářadí bez tohoto krytu.
- Nepoužívejte samostatná redukční pouzdra nebo adaptéry pro přizpůsobení velkého otvoru brusným kotoučům.
- Pro nářadí určené pro montáž pomocí závitového otvoru zajistěte, aby byl závit v brusném kotouči dostatečně dlouhý a odpovídal tak délce vřetena.
- Zkontrolujte, zda je zpracováván materiál náležitým způsobem podepřený.
- Nepoužívejte řezací kotouč pro boční broušení.
- Zajistěte, aby jiskry vznikající při broušení nebyl příčinou nebezpečných situací, např. nesměřujte jiskry na osoby nebo na hořlavé látky.
- Zajistěte, aby byly ventilační otvory při práci v prašném prostředí udržovány v čistotě, je-li potřebné odstranit prach, nejdříve odpojte nářadí od síťového přívodu (používejte nekovové předměty) a vyvarujte se poškození vnitřní části.
- Vždy používejte ochranu zraku a sluchu. Je třeba používat také ostatní osobní ochranné pomůcky, jako je protiprachová maska, rukavice, helma a štít.
- Mějte na paměti, že brusný kotouč po vypnutí nářadí dobíhá.

## PARAMETRY

Model	G10SS	G12SS	G13SS
Napětí (podle oblastí)*	(110V, 120V, 220V, 230V, 240V) $\cup$		
Vstupní příkon*	580 W		
Rychlost bez zatížení	11000 min <sup>-1</sup>		10000 min <sup>-1</sup>
Kotouč	Vnější průměr x průměr otvoru	100 x 16 mm	115 x 22 mm
	Obvodová rychlost	72 m/s	80 m/s
Váha (Pouze bruska)	1,4 kg		

\*Zkontrolujte, prosíme, štítek na výrobku. Štítek podléhá změnám v závislosti na oblastech použití.

## STANDARDNÍ PŘÍSLUŠENSTVÍ

- (1) Klíč ..... 1  
 (2) Vysouvací držadlo ..... 1  
 Standardní příslušenství podléhá změnám bez upozornění.

## POUŽITÍ

- Odstranění nerovností na odlitcích a povrchová úprava různých ocelových, bronzových a hliníkových materiálů a odlitků.
- Broušení svařenců nebo povrchů po řezání plamenem.

## PŘED POUŽITÍM

### 1. Zdroj elektriny

Ujistěte se, že elektrický zdroj odpovídá požadavkům uvedeným na štítku výrobku.

### 2. Spínač

Ujistěte se, že spínač je v poloze VYPNUTO (OFF). Pokud je zařízení připojeno ke zdroji elektrického proudu a spínač je v poloze ZAPNUTO (ON), nástroj začne okamžitě pracovat a to může vést k vážnému úrazu.

### 3. Prodlužovací šňůra

Pokud je pracoviště vzdáleno od zdroje elektrického proudu, použijte prodlužovací šňůru o dostatečné tloušťce a kapacitě. Dbejte na to, aby prodlužovací šňůra byla co nejkratší.

### 4. Instalace a nastavení krytu kotouče

Kryt kotouče je ochranný prostředek v případě, že dojde k roztržení brusného kotouče během práce. Ujistěte se, že kryt je správně nastaven a připraven před tím, než začnete brousit. Kryt lze nastavit do požadované polohy uvolněním stavěcího šroubu a natočením krytu do požadovaného úhlu tak, aby se dosáhlo maximální efektivity. Ujistěte se, že stavěcí šroub je řádně utažen po nastavení krytu.

### 5. Ujistěte se, že nainstalované kotouče a hroty jsou nastaveny v souladu s instrukcemi výrobce.

Ujistěte se, že středově vtažený kotouč je správného typu a je bez trhlin nebo povrchových vad. Také se ujistěte, že brusný kotouč je správně nainstalován, a že matka kotouče je utažena - viz kapitola „MONTÁŽ A DEMONTÁŽ BRUSNÉHO KOTOUČE“.

Ujistěte se, že jsou použity podložky u výrobků s nalepeným brusivem a kdykoliv je to požadováno. Nepoužívejte zvláštní vložky nebo redukce pro upnutí kotoučů s většími otvory.

U nástrojů, které vyžadují kotouče se závitem, se ujistěte, že délka závitů v kotouči odpovídá délce závitů na hřídeli. Nepoužívejte řezací kotouče pro broušení.

### 6. Pokusné broušení

Ujistěte se, že brusný nástroj je před použitím správně nainstalován a utažen. Zapněte brusku a nechte ji volně běžet v bezpečné poloze po dobu 30ti vteřin. Pokud cítíte silné vibrace nebo zjistíte další závady, okamžitě brusku zastavte.

Pokud tato situace nastane, zjistěte příčinu.

### 7. Potvrzení funkce tlačítka

Ujistěte se, že tlačítko je vypnuto tak, že jej dvakrát nebo třikrát stlačíte před tím, než brusku vypnete - viz Obr. 2.

### 8. Připevnění bočního držadla

Přišroubujte boční držadlo ke krytu převodovky.

## PRAKTICKÉ POUŽITÍ BRUSKY

### 1. Tlak

Zařízení nesmí být přetíženo přílišným tlakem, aby se prodloužila jeho životnost a zaručila vysoká kvalita broušení. Pro efektivní broušení postačí ve většině případů tlak vyvozený vlastní vahou zařízení. Příliš vysoký tlak vede ke snížení otáček, podřadné kvalitě povrchu a přetížení, které snižuje životnost zařízení.

## 2. Brusný úhel

Neaplikujte celý povrch brusného kotouče na broušený materiál. Bruska má svírat úhel s povrchem 15 – 30 stupňů tak, aby vnější okraj brusného kotouče byl v kontaktu s materiálem pod optimálním úhlem - **Obr. 1**.

3. Aby se zabránilo zařezávání nového brusného kotouče do materiálu, je třeba provést počáteční broušení pohybem brusky přes broušený kus směrem k obsluze - **Obr. 1**, směr B. Jakkmile je brusný okraj kotouče správně opotřeben, lze brousit v obou směrech.

## 4. Upozornění na situaci ihned po ukončení brusné operace

Kotouč se nadále otáčí i po vypnutí zařízení. Po vypnutí brusky ji neodkládejte, dokud se brusný kotouč úplně nezastaví. Kromě zamezení vážnému zranění zabrání tento postup tvorbě prachu a jeho nasátí do brusky.

### POZOR

- Zajistěte, aby byl materiál správně upnut.
  - Zajistěte, aby větrací otvory byly volné, pracujete-li v prašném prostředí.
- Pokud musíte očistit prach, odpojte nejprve zařízení od zdroje elektrického proudu (použijte nekovové předměty) a dejte pozor, abyste nepoškodili vnitřní součástky.
- Zajistěte, aby jiskry, které vznikají při použití, nezpůsobovaly riziko jako například kontakt s obsluhou nebo vznícení hořlavých materiálů.
  - Vždy chraňte oči a sluch. V případě nutnosti použijte další osobní ochranné pomůcky jako jsou rukavice, zástěra a přilba.
- Pokud máte pochybnosti, vždy raději volte ochranné pomůcky.
- Pokud zařízení nepoužíváte, odpojte jej od zdroje elektrického proudu.

---

## MONTÁŽ A DEMONTÁŽ BRUSNÉHO KOTOUČE (Obr. 2)

**POZOR** Ujistěte se, že spínač je v poloze VYPNUTO a zařízení je odpojeno od zdroje elektrického proudu, aby se předešlo vážnému úrazu.

### 1. Montáž (Obr. 2)

- (1) Otočte brusku do opačné polohy tak, aby hřídel směřovala nahoru.
- (2) Vyrovnajte plochou část podložek kotouče se zářezem na hřídeli a nasadte je.
- (3) Umístěte výčnělek na brusného kotouči do podložky kotouče.
- (4) Našroubujte matku kotouče na hřídel.
- (5) Jednou rukou tlačte na tlačítko a druhou rukou uzamkněte hřídel tak, že pomalu brusného kotoučem. Utáhněte matku kotouče přiloženým klíčem - **Obr. 2**.

### 2. Demontáž

Aplikujte postup uvedený v části „Montáž“ v opačném pořadí.

### POZOR

- Ujistěte se, že brusný kotouč je pevně nainstalován.
- Ujistěte se, že tlačítko je vypnuto tak, že jej dvakrát nebo třikrát stlačíte před tím, než brusku zapnete.

---

## ÚDRŽBA A KONTROLA

### 1. Kontrola brusného kotouče.

Ujistěte se, že brusný kotouč je bez trhlin a povrchových vad.

## 2. Kontrola šroubů

Pravidelně zkontrolujte všechny šrouby a ujistěte se, že jsou správně utažené. Pokud najdete některé šrouby uvolněné, ihned je utáhněte. Neutažené šrouby mohou vést k vážnému riziku.

## 3. Kontrola uhlíkových kartáčků (Obr. 3)

Motor obsahuje uhlíkové kartáčky, které se opotřebovávají. Vzhledem k tomu, že opotřebené kartáčky mohou vést k problémům s motorem, vyměňte kartáčky za nové se stejným číslem, jakmile se opotřebí nebo jsou na Mez opotřebení. Udržujte kartáčky v čistotě a zabezpečte jejich volný pohyb v držácích.

## 4. Výměna uhlíkových kartáčků

Šroubovákem sejměte kryty kartáčků. Poté lze kartáčky lehce vyjmout.

## 5. Údržba motoru

Vinutí motoru je srdce elektrického zařízení. Ujistěte se, že vinutí není poškozené nebo vlhké vodou nebo olejem.

## 6. Seznam servisních položek

### POZOR:

Oprava, modifikace a inspekce zařízení Hitachi musí být prováděny autorizovaným servisním střediskem Hitachi. Tento seznam servisních položek bude pomoci, předložíte-li jej s vaším zařízením autorizovanému servisnímu středisku Hitachi společně s požadavkem na opravu nebo další servis.

Při obsluze a údržbě elektrických zařízení musí být dodržovány bezpečnostní předpisy a normy platné v každé zemi, kde je výrobek používán.

### MODIFIKACE:

Výrobky firmy Hitachi jsou neustále zdokonalovány a modifikovány tak, aby se zavedly nejposlednější výsledky výzkumu a vývoje.

Následně, některé díly mohou být změněny bez předěšlého oznámení.

---

## ZÁRUKA

Ručíme za to, že elektrické nářadí Hitachi splňuje zákonné/místně platné předpisy. Tato záruka nezahrnuje závady nebo poškození vzniklé v důsledku nesprávného použití, hrubého zacházení nebo normálního opotřebení. V případě reklamace zašlete prosím elektrické nářadí v nerozebraném stavu společně se ZÁRUČNÍM LISTEM připojeným na konci těchto pokynů pro obsluhu do autorizovaného servisního střediska firmy Hitachi.

---

### POZNÁMKA:

Vlivem stále pokračujícího výzkumného a vývojového programu HITACHI mohou zde uvedené parametry podléhat změnám bez předchozího upozornění.



---

**Informace o hluku a vibracích**

Měřené hodnoty byly určeny podle EN60745 a deklarovány ve shodě s ISO 4871.

Změřená vážená hladina akustického výkonu A: 98 dB (A)

Změřená vážená hladina akustického tlaku A: 87 dB (A)

Neurčitost KpA: 3 dB (A)

Použijte ochranu sluchu.

Celkové hodnoty vibrací (vektorový součet triax) stanovené dle normy EN60745.

Broušení rovinných ploch:

Hodnota vibračních emisí **a<sub>h</sub>**, **AG** = 6,3 m/s<sup>2</sup>

Nejistota K = 1,5 m/s<sup>2</sup>

---

**UPOZORNĚNÍ**

- Hodnota vibračních emisí během vlastního používání elektrického přístroje se může od deklarované hodnoty lišit v závislosti na způsobu použití přístroje.
- Pro identifikaci bezpečnostních opatření k ochraně obsluhy založených na odhadu vystavení vlivům v daných podmínkách použití (v úvahu bereme všechny části pracovního cyklu, jako jsou doby, kdy je přístroj vypnutý, a kdy běží naprázdno připočených k době spouštění).

## GENEL ELEKTRİKLİ ALET GÜVENLİK UYARILARI

### ⚠ DİKKAT

Tüm güvenlik uyarılarını ve tüm talimatları okuyun. Uyarılara ve talimatlara uyulmaması elektrik çarpmasına, yangına ve/veya ciddi yaralanmaya neden olabilir.

Bu kılavuzu gelecekte başvurmak üzere saklayın.

Uyarılarda kullanılan "elektrikli alet" terimi, şebeke elektriğiyle çalışan (kablolu) veya pille çalışan (kablosuz) elektrikli aletinizi belirtir.

#### 1) Çalışma alanının güvenliği

- Çalışma alanı temiz ve iyi aydınlatılmış olmalıdır.**  
*Dağınık veya karanlık alanlar kazalara davetiye çıkarır.*
- Elektrikli aletleri yanıcı sıvı, gaz veya toz patlayıcı maddelerin bulunduğu ortamlarda çalıştırmayın.**  
*Elektrikli aletlerin çıkardığı kıvılcıklar toz veya gaz halinde bu maddeleri ateşleyebilir.*
- Bir elektrikli aletle çalışırken çocukları ve izleyicileri uzaklaştırın.**  
*Dikkatinizin dağılması kontrolü kaybetmenize neden olabilir.*

#### 2) Elektrik güvenliği

- Elektrikli aletin fişi elektrik prizine uygun olmalıdır.**  
*Fişi herhangi bir şekilde değiştirmeyin. Topraklanmış elektrikli aletlerle herhangi bir adaptör kullanmayın.*  
*Fişlerde değişiklik yapılmaması ve uygun prizlerde kullanılması elektrik çarpması riskini azaltacaktır.*
- Borular, radyatörler, fırınlar ve buzdolapları gibi topraklanmış yüzeylerle gövde temasından kaçının.**  
*Vücudunuzun toprakla teması geçmesi halinde elektrik çarpması riski artar.*
- Elektrikli aletleri yağmura veya ıslak ortamlara maruz bırakmayın.**  
*Elektrikli alete su girmesi elektrik çarpması riskini artırır.*
- Elektrik kablosuna zarar vermeyin. Elektrikli aleti taşımak, çekmek veya fişini prizden çıkarmak için kabloyu kullanmayın.**  
*Kabloyu ısıdan, yağdan, keskin kenarlardan veya hareketli parçalardan uzak tutun. Hasar görmüş veya dolaşmış kablolar elektrik çarpması riskini artırır.*
- Elektrikli aleti açık alanda kullanırken, açık alanda kullanıma uygun bir uzatma kablosu kullanın.**  
*Açık alanda kullanıma uygun bir kablo kullanılması elektrik çarpması riskini azaltır.*
- Eğer bir elektrikli aletin ıslak bir yerde kullanılması kaçınılmaz ise, artık akım cihazıyla (RCD) korunan bir güç kaynağı kullanın.**  
*RCD kullanılması elektrik çarpması riskini azaltır.*

#### 3) Kişisel emniyet

- Bir elektrikli alet kullanırken daima tetikte olun;** yaptığınız işi izleyin ve sağduyulu davranın. **Aleti yorgunken, alkol veya ilaç etkisi altındayken kullanmayın.**  
*Elektrikli aletleri kullanırken göstereceğiniz bir anlık dikkatsizlik ciddi yaralanmaya sonuçlanabilir.*
- Kişisel koruyucu donanım kullanın. Daima koruyucu gözlük takın.**  
*Uygun koşullar için kullanılan toz maskesi, kaymaz emniyet ayakkabıları, kask veya kulak koruyucu gibi koruyucu ekipmanlar yaralanmaları azaltacaktır.*

- Aletin istenmeden çalışmasını engelleyin. Aleti güç kaynağına ve/veya akü ünitesine bağlamadan, kaldırmadan veya taşımadan önce, güç düğmesinin kapalı konumda olduğundan emin olun.**  
*Elektrikli aletleri parmağınız güç düğmesinin üzerinde olarak taşımamız veya güç düğmesi açılmış durumda fişini takmamız kazalara davetiye çıkarır.*
- Aletin gücünü açmadan önce alet üzerindeki ayar veya somun anahtarlarını çıkarın.**  
*Aletin dönen parçalarından birine bağlı kalan bir somun anahtarı veya ayar anahtarı yaralanmaya yol açabilir.*
- Çok fazla yaklaşmayın. Uygun bir adım mesafesi bırakın ve sürekli olarak dengenizi koruyun.**  
*Böylece, beklenmedik durumlarda aleti daha iyi kontrol etmeniz mümkün olur.*
- Uygun şekilde giyinin. Bol elbiseler giymeyin ve takı eşyaları takmayın. Saçlarınızı, elbisenizi ve eldivenlerinizi hareketli parçalardan uzak tutun.**  
*Bol elbiseler, takılar veya uzun saçlar hareketli parçalara takılabilir.*
- Eğer toz çekme ve toplama bağlantıları için gerekli aygıtlar sağlanmışsa, bunların bağlı olduğundan ve doğru şekilde kullanıldığından emin olun.**  
*Toz toplama kullanımı, tozla ilişkili tehlikeleri azaltabilir.*

#### 4) Elektrikli aletin kullanımı ve bakımı

- Elektrikli aleti zorlamayın. Yapacağınız iş için doğru alet kullanın.**  
*Doğru alet, işinizi daha iyi ve tasarlanmış olduğu hız değerinde daha güvenli şekilde yapacaktır.*
- Elektrikli alet güç düğmesinden açılıp kapanmıyorsa, aleti kullanmayın.**  
*Güç düğmesiyle kontrol edilemeyen bir alet tehlikelidir ve tamir edilmeden kullanılmamalıdır.*
- Herhangi bir ayar yapmadan, aksesuarları değiştirmeden veya aleti saklamadan önce fişi güç kaynağından ve/veya akü ünitesinden sökün.**  
*Bu koruyucu güvenlik önlemleri, elektrikli aletin kazayla çalışması riskini azaltır.*
- Atıl durumdaki elektrikli aletleri çocukların ulaşamayacağı bir yerde saklayın ve elektrikli alet ve bu kullanım talimatları hakkında bilgi sahibi olmayan kişilerin aleti kullanmasına izin vermeyin.**  
*Elektrikli aletler eğitimsiz kullanıcıların elinde tehlikelidir.*
- Elektrikli aletin bakımını yapın. Hareketli parçalarda yanlış hizalanma veya sıkışma olup olmadığını, kırık parça olup olmadığını ve elektrikli aletin çalışmasını etkileyebilecek diğer koşulları kontrol edin.**  
*Eğer hasar varsa, kullanmadan önce aleti tamir ettirin. Kazalardan çoğu elektrikli aletlere kötü bakım işlemleri uygulanmasından kaynaklanmaktadır.*
- Aletleri keskin ve temiz tutun.**  
*Uygun şekilde bakımı yapılan, keskin kenarlara sahip aletlerin sıkışma ihtimali daha azdır ve kontrol edilmesi daha kolaydır.*
- Elektrikli aleti, aksesuarları, uçları, v.b., bu talimatlara uygun şekilde, çalışma koşullarını ve yapılacak işi göz önünde bulundurarak kullanın.**  
*Elektrikli aletin amaçlanan kullanımlardan farklı işlemler için kullanılması tehlikeli bir duruma yol açabilir.*

#### 5) Servis

- Elektrikli aletinizin servisini sadece orijinal yedek parçalar kullanmak suretiyle uzman bir tamirciye yaptırın.**  
*Böylece, elektrikli aletin güvenli kullanımı sağlanacaktır.*

**ÖNLEM**

Çocukları ve zayıf kişileri uzak tutun.

Alet, kullanılmadığı zamanlarda çocukların ve zayıf kişilerin ulaşamayacağı bir yerde saklanmalıdır.

## TAŞLAMA VEYA AŞINDIRARAK KESME İŞLEMLERİ İÇİN GENEL GÜVENLİK UYARILARI

- a) Bu elektrikli alet, bir taşlama aleti veya kesme aleti olarak kullanım için tasarlanmıştır. Bu elektrikli aletle birlikte sağlanan tüm güvenlik uyarılarını, talimatları, şekilli açıklamaları ve teknik özellikleri okuyun. Aşağıda belirtilen tüm talimatlara uyulmaması elektrik çarpmasına, yangına ve/veya ciddi yaralanmaya neden olabilir.
- b) Bu elektrikli aletle zımparalama, tel fırça ile fırçalama veya cilalama gibi işlemlerin yapılması tavsiye edilmez. Aletin kullanım amacı dışındaki işlemlerde kullanılması tehlike yaratabilir ve yaralanmaya neden olabilir.
- c) Alet üreticisi tarafından özel olarak tasarlanmayan ve tavsiye edilmeyen aksesuarları kullanmayın. Sadece aksesuarın elektrikli aletinize takılabiliyor olması güvenli çalışmayı garanti etmez.
- d) Aksesuarın anma hızı, en az elektrikli alet üzerinde işaretli olan maksimum hızla eşit olmalıdır. Anma hızlarından daha yüksek hızda çalışan aksesuarlar kırılarak fırlatabilir.
- e) Aksesuarınızın dış çapı ve kalınlığı, elektrikli aletinizin nominal kapasitesi dahilinde olmalıdır. Yanlış boyutlu aksesuarlar uygun şekilde korunamaz ve kontrol edilemez.
- f) Çarkların, flanşların, destek yastıkları ve diğer aksesuarların mil boyutu elektrikli aletin miline uygun şekilde oturmalıdır. Elektrikli aletin montaj donanımına uymayan mil deliklerine sahip aksesuarlar denge kaybına, aşırı titreşime ve kontrol kaybına neden olacaktır.
- g) Hasarlı aksesuarları kullanmayın. Her kullanımdan önce, taşlama disklerinde kırıklar ve çatlaklar olup olmadığını, destek yastıklarında çatlaklar, yırtılmalar veya aşınma olup olmadığını, tel fırçanın gevşeyip gevşemediğini veya tellerinin hasar görüp görmediğini kontrol edin. Eğer elektrikli alet veya aksesuar düşürülürse, hasara karşı kontrol edin veya hasar görmemiş bir aksesuar takın. Bir aksesuarı kontrol ettikten ve taktikten sonra, kendinizle birlikte çevredeki insanları da dönen aksesuar düzleminde uzaklaştırın ve elektrikli aleti bir dakika için maksimum yüksüz hızda çalıştırın. Hasar gören aksesuarlar normalde bu test süresi içerisinde aletten koparak ayrılır.
- h) Kişisel koruyucu donanım kullanın. Yaptığınız işe bağlı olarak, yüz siperi, koruyucu gözlük veya emniyet gözlüğü kullanın. Gerektiğinde toz maskesi, kulak koruyucusu, eldiven ve taşlama işleminde veya iş parçasından sıçrayan parçacıkları durdurabilen bir önlük kullanın. Koruyucu gözlük, çeşitli işlemlerin ürettiği fırlayan parçaları durdurabilmelidir. Toz maskesi veya solunum maskesi, çalışmanızın ürettiği parçacıkları süzme yeteneğine sahip olmalıdır. Yüksek gürültü yoğunluğuna uzun süre maruz kalmak, işitme kayıplarına neden olabilir.

- i) Çevredeki insanlarla çalışma alanı arasında bir güvenlik mesafesi koruyun. Çalışma alanına giren herkes, kişisel koruyucu donanım kullanmalıdır. İş parçasından veya kırılan bir aksesuardan ayrılan parçacıklar fırlayarak, yakın çalışma alanının ötesinde yaranlamaya neden olabilir.
- j) Kesici aksesuarın gizli kablolarla veya kendi kablosuyla temas edebileceği bir işlem yaparken, elektrikli aleti sadece yatılmış kavrama yüzeylerinde tutun. Bir "aktif" kabloyla temas eden kesme aksesuarı, elektrikli aletin çıplak parçalarını "aktif" hale getirebilir ve operatörü çarpabilir.
- k) Kabloyu dönen aksesuardan uzağa yerleştirin. Eğer kontrolü kaybederseniz, kablo kesilebilir veya takılabilir ve eliniz veya kolunuz dönen aksesuar tarafından çekilebilir.
- l) Kesinlikle elektrikli aleti aksesuar tamamen duruncaya kadar yere koymayın. Dönen aksesuar yüzeyi kavrayarak elektrikli aletin kontrolünüzden çıkmasına neden olabilir.
- m) Elektrikli aleti yanınızda çalıştırmayın. Kazara elbisenizin dönen aksesuarla temas etmesi, aksesuarın elbisenizi kavrayarak vücudunuza çekilmesine neden olabilir.
- n) Elektrikli aletin hava çıkış deliklerini düzenli olarak temizleyin. Aksi halde, motor fanı tozu muhafazanın içine çeker ve fazla metal tozu birikmesi elektrik arızasına neden olabilir.
- o) Elektrikli aleti yanıcı maddelerin yakınında kullanmayın. Kıvılcıklar bu maddeleri ateşleyebilir.
- p) Sıvı soğutma maddeleri gerektiren aksesuarlar kullanmayın. Su veya başka sıvı soğutucuların kullanılması elektrik çarpmasına ve hatta ölüme yol açabilir.

## GERİ TEPME VE İLGİLİ UYARILAR

Geril tepme, dönen bir çarkın, destek yastığının, fırçanın veya herhangi bir aksesuarın sıkıştırılmasına veya takılmasına karşı gösterilen ani reaksiyondur. Sıkışma veya takılma, dönen aksesuarın hızlı bir şekilde durarak, kontrolsüz elektrikli aletin bağlanma noktasında aksesuarın dönme yönüne ters yönde zorlanmasına neden olur.

Örneğin, bir taşlama diski iş parçası tarafından engellenir veya sıkıştırılırsa, diskin sıkışma noktasına giren kenarı malzemenin yüzeyini delerek diskin dışarıya doğru kaymasına veya geri tepmesine neden olabilir. Disk, sıkışma noktasında diskin hareket yönüne bağlı olarak operatöre doğru veya operatörden uzaklaşacak yönde ileri fırlatabilir. Aynı zamanda, taşlama diskleri bu koşullar altında kırılabilir.

Geril tepme, elektrikli aletin yanlış kullanımının ve/veya yanlış çalışma işlemlerinin veya koşullarının sonucu oluşur ve aşağıda belirtildiği gibi uygun önlemler alınarak engellenebilir.

- a) Elektrikli aleti sıkı şekilde kavrayın ve vücudunuzun ve kolunuzun konumunu geri tepme kuvvetlerine dayanacak şekilde ayarlayın. Çalıştırmaya başlama sırasında geri tepme veya tork reaksiyonu üzerinde maksimum kontrol için (eğer mevcutsa) daima yardımcı kolu kullanın. Eğer uygun önlemler alınır, operatör tork reaksiyonlarını veya geri tepme kuvvetlerini kontrol edebilir.
- b) Kesinlikle elinizi dönen bir aksesuarın yakınında tutmayın. Aksesuar geri teperek elinize çarpabilir.

- c) **Vücudunuzu elektrikli aletin geri tepme durumunda hareket edeceği bölgenin dışında tutun.**  
*Ger i tepme hareketi, aleti takılma noktasında çarkın hareketine zıt yönde itecektir.*
- d) **Köşeler, keskin kenarlar, v.b. ile çalışırken özel dikkat gösterin. Akseuar sıçramasından ve takılmasından kaçının.**  
*Köşeler, sert kenarlar veya sıçrama hareketi dönen akseuarı sıkıştırma eğilimindedir ve kontrol kaybına veya geri tepmeye neden olur.*
- e) **Alete testere zinciri, ağaç oyma bıçağı veya dişli testere bıçağı takmayın.**  
*Bu tür bıçaklar sık sık geri tepme yaratır ve kontrol kaybına neden olur.*

## **TAŞLAMA VE AŞINDIRARAK KESME İŞLEMLERİ İÇİN ÖZEL GÜVENLİK UYARILARI**

- a) **Sadece elektrikli aletiniz için tavsiye edilen disk tiplerini ve seçilen disk için tasarlanan özel muhafazayı kullanın.**  
*Elektrikli aletiniz için tasarlanmamış diskler uygun şekilde korunamayabilir ve güvenli değildir.*
- b) **Muhafaza elektrikli alete emniyetli şekilde takılmalı ve diskin operatöre bakan açık kısmı minimum olacak şekilde maksimum güvenlik için yerleştirilmelidir.**  
*Muhafaza, operatörü kırılan disk parçalarından ve kazayla diske temas etmekten korur.*
- c) **Diskler sadece tavsiye edilen uygulamalar için kullanılmalıdır. Örneğin, Kesme diskinin kenarıyla taşlama yapmayın.**  
*Aşındırarak kesme diskleri çevresel taşlama amaçlıdır; bu disklere uygulanan yan kuvvetler parçalanmalarına neden olabilir.*
- d) **Daima seçtiğiniz disk için uygun boyut ve şekle sahip, hasar görmemiş disk flanşları kullanın.**  
*Uygun disk flanşları diski destekleme suretiyle kırılma olasılığını azaltır. Kesme diskleri için flanşlar, taşlama çarkı flanşlarından farklı olabilir.*
- e) **Daha büyük elektrikli aletlerde kullanılıp aşınarak küçülmüş diskler kullanmayın.**  
*Daha büyük elektrikli aletler için üretilen diskler, küçük bir aletin daha yüksek hızı için uygun değildir ve yarılabilir.*

## **AŞINDIRARAK KESME İŞLEMLERİ İÇİN ÖZEL İLAVE GÜVENLİK UYARILARI**

- a) **Kesme diskinin "sıkıştırmayın" veya aşırı baskı uygulamayın. Kesme derinliğini artırmaya çalışmayın.**  
*Diske aşırı baskı uygulanması, kesme işlemi sırasında diskin yükünü ve bükülme veya körelme hassasiyetini ve geri tepme veya disk kırılma olasılığını artırır.*
- b) **Vücudunuzu dönen diske aynı hızda veya diskin arkasında tutmayın.**  
*Çalışma noktasında disk vücudunuzdan uzaklaşacak şekilde hareket ettiğinde, olası geri tepme hareketi dönen diski ve elektrikli aleti doğrudan üzerinize itebilir.*
- c) **Disk sıkıştığında veya herhangi bir nedenle bir kesme işlemine ara verdiğinizde, elektrikli aleti güç düğmesinden kapatın ve disk tamamen duruncaya kadar elektrikli aleti hareketsiz olarak tutun. Kesinlikle kesme diski hareket etmeye devam ederken diski kesme noktasından çıkarmaya çalışmayın; aksi takdirde geri tepme oluşabilir.**

*Disk sıkışma nedenini araştırın ve gidermek için gerekli işlemi yapın.*

- d) **Kesme işlemine tekrar başlarken, hemen iş parçası üzerinde çalışmayın. Diskin tam hız ulaşmasını bekledikten sonra dikkatli bir şekilde kesme noktasına tekrar girin.**  
*Eğer elektrikli alet iş parçası üzerinde tekrar çalıştırılmaya başlanırsa, disk sıkışabilir, hareket edebilir veya geri tepebilir.*
- e) **Diskin sıkışma veya geri tepme riskini en aza indirmek için panelleri veya büyük boyutlu iş parçalarını destekleyin.**  
*Büyük iş parçaları, kendi ağırlıkları altında bükülme eğilimi gösterirler. Destekler, kesme çizgisinin yakınında iş parçasının altına ve diskin her iki tarafında iş parçasının kenarına yakın olarak yerleştirilmelidir.*
- f) **Mevcut duvarlarda ve diğer rutubet tecrit bölgelerinde bir "cep kesimi" yaparken son derece dikkatli olun.**  
*Çıkıntı yapan disk; gaz veya su borularını, elektrik kablolarını veya geri tepmeye neden olabilecek nesnelere kesebilir.*

## **TAŞLAMA ALETİ İÇİN GENEL GÜVENLİK TALİMATLARI**

- Taşlama diskinin üzerinde belirtilen hızın, taşlama aletinin hızına eşit veya bu hızdan daha büyük olmasına özen gösterin;
- Disk boyutlarının taşlama aletine uygun olduğundan emin olun;
- Taşlama diskleri, imalatçının talimatlarına uygun olarak dikkatli bir şekilde muhafaza edilmeli ve kullanılmalıdır;
- Kullanmadan önce taşlama diskinin inceleyin. Kırılmış, çatlaklı veya başka bir şekilde hasar görmüş ürünleri kullanmayın;
- Kullanılan taşlama diskinin ve uçlarının imalatçının talimatlarına uygun olarak takılması olduğundan emin olun;
- Aşındırıcı ürünle birlikte sağlanmışsa, kurutma kağıtlarının ihtiyaç olduğunda kullanıldığında emin olun;
- Taşlama işlemi öncesinde aşındırma ürünlerinin doğru monte edildiğinden ve iyice sabitlendiğinden emin olun ve aleti güvenli bir ortamda 30 saniye kadar boşta olarak çalıştırın. Önemli ölçüde titreme olduğunda veya başka arızalar tespit ederseniz, aleti derhal durdurun. Eğer bu durum devam ederse, sorunun ne olduğunu anlamak için aleti kontrol edin;
- Eğer ürünle birlikte bir disk muhafazası sağlanmışsa, aletin muhafazası takılı olmadığı şekilde kesinlikle kullanmayın;
- Büyük boyutlu taşlama disklerini kullanmak amacıyla deliği küçültlen bilezik veya adaptörler gibi harici parçalar kullanmayın;
- Yıvıl deliğe sahip disklerin kullanımı için tasarlanmış aletlerde, diskteki yivlin milin tamamını alacak kadar uzun olmasına özen gösterin;
- Üzerinde çalışılan parçanın gerektiği gibi desteklendiğinden emin olun;
- Yüzey taşlama işlemlerinde kesme disklerini kullanmayın;
- Aletin kullanımını sırasında oluşan kıvılcımların, insanların veya kolayca alev alabilecek maddelerin üzerine gelmesi gibi tehlikeli durumlara neden olmasınaya dikkat edin;
- Tozlu ortamlarda çalışırken, havalandırma açıklıklarının temiz olduğundan emin olun. Tozun temizlenmesi gerekirse, önce aletin elektrik bağlantısını (metal olmayan nesnelere kullanılarak) kesin ve içerisindeki parçalara zarar vermemeye özen gösterin;

- Her zaman için koruyucu gözlük ve kulak koruyucusu kullanın. Toz maskesi, eldiven, baret ve önlük gibi diâer kişisel koruyucu teçhizatlar gerektiğinde kullanılmalıdır;
- Alet kapatıldıktan sonra dönmeye devam eden taşlama diskine dikkat edin.

## TEKNİK ÖZELLİKLER

Model	G10SS	G12SS	G13SS
Voltaj (bölgelere göre)*	(110V, 120V, 220V, 230V, 240V) ~		
Güç girişi*	580 W		
Yüksüz hız	11000 dak <sup>-1</sup>		10000 dak <sup>-1</sup>
Taşlama Diski	Dış çap × Delik çapı	100 × 16 mm	115 × 22 mm
	Dönüş hızı	72 m/s	80 m/s
Ağırlık (Yalnızca ana gövde)	1,4 kg		

\*Bu değer bölgeden bölgeye değişiklik gösterdiği için ürünün üzerindeki plakayı kontrol etmeyi unutmayın.

## STANDART AKSESUARLAR

- (1) Anahtar ..... 1  
 (2) Yan Kol ..... 1  
 Standart aksesuarlarda önceden bildirimde bulunulmadan değişiklik yapılabilir.

## UYGULAMALAR

- Döküm çapaklarının alınması ve çeşitli çelik, bronz ve alüminyum malzemelerin ve döküm işlerinin perdahlanması.
- Kaynak yerlerinin veya kesme tertibatıyla kesilmiş kısımların taşlanması.

## ALETİ KULLANIM ÖNCESİNDE

- Güç Kaynağı**  
Kullanacağınız güç kaynağının, aletin etiketinde belirtilen elektrik gereklerine uygun olduğundan emin olun.
- Güç Şalteri**  
Güç şalterinin OFF konumunda olduğundan emin olun. Şalter ON konumundayken güç kaynağına bağlanan alet hemen çalışmaya başlayarak ciddi bir kazaya neden olabilir.
- Uzatma Kablosu**  
Çalışma yeri güç kaynağına uzak olduğunda, yeterli kalınlık ve kapasiteye sahip bir uzatma kablosu kullanın. Uzatma kablosu mümkün olduğunca kısa tutulmalıdır.
- Disk Muhafazasının Takılması ve Ayarlanması**  
Disk muhafazası, bir tarafı oyuk taşlama diskinin çalışma sırasında parçalanması durumunda yaranılmayı önlemek için kullanılan bir korumadır. Taşlama işlemine başlamadan önce muhafazanın doğru şekilde yerleştirilip yerine sabitlendiğinden emin olun. Sabitleyici vidayı hafifçe gevşeterek, maksimum verim elde etmek için muhafazayı en uygun açığa ayarlayabilirsiniz. Disk muhafazasını ayarlama işlemini yaptıktan sonra, vidanın iyice sıkıldığından emin olun.
- Kullanılan taşlama diskinin ve uçlarının imalatçının talimatlarına uygun olarak takılması olduğundan emin olun. Kullanılan taşlama diskisi doğru tip ve hasarsız olmalıdır. Ayrıca taşlama diskinin doğru şekilde monte edilmiş olduğundan ve disk somununun emniyetli bir şekilde sıkıldığından emin olun. "TEK TARAFLI OYUK TAŞLAMA DİSKİNİN TAKILIP ÇIKARILMASI" bölümüne bakın.

Aşındırıcı ürünle birlikte sağlanmışsa, kurutma kağıtlarının ihtiyaç olduğunda kullanıldığından emin olun.

Büyük delikli taşlama disklerini kullanmak amacıyla deliği küçülten bilezik veya adaptörler gibi ek parçalar kullanmayın.

Yivli deliğe sahip disklerin kullanımı için tasarlanmış aletlerde, diskteki yivin milin tamamını alacak kadar uzun olmasına özen gösterin.

Yüzey taşlama işlerinde kesme disklerini kullanmayın.

### 6. Deneme Kullanımı

Taşlama işlemi öncesinde aşındırma ürünlerinin doğru monte edildiğinden ve iyice sabitlendiğinden emin olun ve aleti güvenli bir yerde 30 saniye kadar boşa olarak çalıştırın. Önemli ölçüde titreme olduğunda veya başka arızalar tespit ederseniz aleti derhal durdurun.

Bu durum devam ederse, sorunun ne olduğunu anlamak için aleti kontrol edin.

### 7. Kilit İğnesi

Aleti çalıştırmadan önce, kilit iğnesini iki veya üç kez bastırarak, iğnenin devre dışı olduğundan emin olun (Şekil 2'ye bakın).

### 8. Yan Kolun Takılması

Yan kolu, dışı kutusundaki yerine vidalayarak takın.

## PRATİK TAŞLAMA UYGULAMALARI

### 1. Basınç

Makine ömrünü uzatmak ve birinci sınıf işçilik elde etmek için, aletin aşırı basınç uygulanarak zorlanmaması önemlidir. Çoğu uygulamada etkili taşlama için aletin kendi ağırlığı yeterlidir. Aşırı basınç uygulama; aletin hızının düşmesine, yüzeyin dengesiz işlenmesine ve kullanım ömrünü azaltacak şekilde aşırı yüklenmeye neden olur.

### 2. Taşlama Açısı

Tek tarafı oyuk taşlama diskini yüzeyinin tamamını, taşlanacak malzemeye temas ettirmeyin. Şekil 1'de gösterildiği gibi alet, taşlama diskinin dış kenarının taşlanacak malzemeye temas edeceği şekilde 15° - 30° açıyla tutulmalıdır.

Yeni bir taşlama diskinin üzerinde çalışılan parçanın içine işlenmesini önlemek için, taşlama aletini parça boyunca kendinize doğru sürerek kullanın. (Şekil 1; B yönü). Taşlama diskinin kenarı gerektiği gibi aşındıktan sonra, taşlama işlemi her iki yönde de yapılabilir.

4. **İşlemden Hemen Sonra Uygulanacak Önlemler**  
Alet kapatıldıktan sonra taşlama diski dönmeye devam eder. Alet kapatıldıktan sonra taşlama diski tamamen durmadıkça makineyi yere bırakmayın. Bu önlem, olası ciddi kazaların önlenmesinin yanı sıra, aletin içine toz ve kir girmesini de engeller.

#### UYARILAR

- Üzerinde çalışılan parçanın gerektiği gibi desteklendiğinden emin olun.
- Tozlu ortamlarda çalışırken, havalandırma açıklıklarının temiz olduğundan emin olun. Tozun temizlenmesi gerekirse, önce aletin elektrik bağlantısını kesin (metal olmayan nesnelere kullanın) ve içerideki parçalara zarar vermemeye özen gösterin.
- Aletin kullanımı sırasında oluşan kısıtlımların, insanların veya patlayıcı maddelerin üzerine gelmesi gibi tehlikeli durumlara neden olmamasına dikkat edin.
- Her zaman koruyucu gözlük kullanın. Toz maskesi, eldiven, önlük ve baret gibi diğer kişisel koruyucu teçhizatları gerektiğinde kullanılmaktadır. Tereddüt ediyorsanız, koruyucu teçhizatı kullanın.
- Alet kullanılmadığında güç kaynağı bağlantısı kesilmelidir.

### TEK TARAFI OYUK TAŞLAMA DİSKİNİN TAKILIP ÇIKARILMASI (Şekil 2)

**UYARI** Ciddi kazaları önlemek için şalterin OFF konumunda olduğundan ve fişin prizden çekilmiş olduğundan emin olun.

1. **Takma işlemi (Şekil 2)**  
(1) Mil yukarı gelecek şekilde aleti ters çevirin.
  - (2) Disk pulunun düz tarafını, milin çentikli kısmıyla hizalayın ve diski mile takın.
  - (3) Tek tarafı oyuk taşlama diskinin çıkıntısını, disk puluna yerleştirin.
  - (4) Disk somununu, milin üzerine vidalayın.
  - (5) Bir elinizle kilit iğnesine bastırırken, diğer elinizle taşlama diskini yavaşça çevirerek mili kilitleyin. **Şekil 2'**de gösterilen anahtarları kullanarak, disk somununu sıkın.
2. **Çıkarma işlemi**  
Yukarıdaki prosedürleri tersten uygulayın.

#### UYARILAR

- Tek tarafı oyuk taşlama diskinin sıkıca takılı olduğundan emin olun.
- Aleti çalıştırmadan önce, kilit iğnesini iki veya üç kez bastırarak, iğnenin devre dışı olduğundan emin olun.

### BAKIM VE İNCELEME

1. **Tek Tarafı Oyuk Taşlama Diskinin Kontrol Edilmesi**  
Tek tarafı oyuk taşlama diskinde çatlak veya yüzey bozuklukları olmadığından emin olun.
2. **Montaj vidalarının incelenmesi**  
Tüm montaj vidalarını düzenli olarak inceleyin ve sağlam şekilde sıkılı olduğundan emin olun. Gevşeyen vidaları derhal sıkın. Gevşemiş vidalar ciddi tehlikelere yol açabilir.
3. **Kömürlerin Kontrol Edilmesi (Şekil 3)**  
Motor sürekli olarak, tüketilebilir parçalar olan kömürleri kullanır. Aşırı derece aşınmış kömürler motorda soruna neden olabileceğinden, kömür bittiğinde veya "aşınma sınırına" geldiğinde, şekilde gösterilen kömür tanımlama sayısına sahip yeni bir kömürle değiştirin. Ayrıca, kömürlerin her zaman temiz olduğundan ve kömür tutucularının içinde rahatça kayabildiklerinden emin olun.

#### 4. Kömürün Değiştirilmesi

Kömür kapaklarını düz uçlu bir tornavidayla çıkardıktan sonra kömürü kolaylıkla değiştirebilirsiniz.

#### 5. Motorun incelenmesi

Motor biriminin sargıları, bu ağır iş aletin "kalbidir". Sargının hasar görmediğinden ve/veya yağ ya da su ile ıslanmadığından emin olun.

#### 6. Servis parçaları listesi

##### DİKKAT

Hitachi Ağır İş Aletlerinin bakımı, değiştirilmesi ve incelenmesi, Hitachi Yetkili Servis Merkezlerince gerçekleştirilmelidir.

Bu Parça Listesi, tamir veya herhangi başka bir bakım gerektiğinde Hitachi Yetkili Servis Merkezine çok yardımcı olur.

Ağır iş aletlerinin kullanımı ve bakımı konusunda her ülkede yürürlükte olan güvenlik düzenlemelerine ve standartlarına uygun davranılmalıdır.

##### DEĞİŞİKLİKLER:

Hitachi Ağır İş Aletleri en son teknolojik ilerlemelere uygun olarak sürekli değiştirilmekte ve geliştirilmektedir. Dolayısıyla, bazı kısımlarda önceden bildirimde bulunulmadan değişiklik yapılabilir.

### GARANTİ

Hitachi Elektrikli El Aletlerine ülkelere özgü hukuki düzenlemeler çerçevesinde garanti vermekteyiz. Bu garanti, yanlış veya kötü kullanım, normal aşınma ve yıpranmadan kaynaklanan arıza ve hasarları kapsamamaktadır. Şikayet durumunda, Elektrikli El Aleti, sökülmemiş bir şekilde, bu kullanım kılavuzunun sonunda bulunan GARANTİ BELGESİYLE birlikte bir Hitachi yetkili servis merkezine gönderilmelidir.

##### NOT:

HITACHI'nin süregelen araştırma ve geliştirme programına bağlı olarak burada belirtilen teknik özelliklerde önceden bildirimde bulunulmadan değişiklik yapılabilir.

#### Havadan yayılan gürültü ve titreşimle ilgili bilgiler

Ölçülen değerlerin EN60745 ve ISO 4871'e uygun olduğu tespit edilmiştir.

Ölçülmüş A-ağırlıklı ses gücü seviyesi: 98 dB (A)  
Ölçülmüş A-ağırlıklı ses basınç seviyesi: 87 dB (A)  
Belirsiz Kpa: 3dB (A)

Kulak koruyucusu kullanın.

EN60745'e göre belirlenen toplam vibrasyon değerleri (üç eksenli vektör toplamı).

Yüzey taşlama:

Vibrasyon emisyon değeri **ah, AG** = 6,3 m/s<sup>2</sup>  
Belirsizlik K = 1,5 m/s<sup>2</sup>

**DİKKAT**

- Elektrikli aletin kullanımı sırasında vibrasyon emisyonu aletin kullanma şekline bağlı olarak belirtilen değerden farklılık gösterebilir.
- Gerçek kullanım koşullarında tahmini maruz kalma hesabını esas alarak (kullanım süresine ilave olarak aletin kapatıldığı ve rölantide çalıştığı zamanlarda çalışma çevriminde yer alan tüm parçaları dikkate almak suretiyle) operatörü korumak için gerekli güvenlik önlemlerini belirlemek için.

## AVERTISMENTE GENERALE PRIVIND SIGURANȚA ÎN FOLOSIREA SCULEI ELECTRICE

### ⚠️ AVERTISMENT

Citiți toate avertismentele privind siguranța și toate instrucțiunile.

Nerespectarea avertismentelor și a instrucțiunilor poate avea ca efect producerea de șocuri electrice, incendii și/sau vătămări grave.

Păstrați toate avertismentele și toate instrucțiunile, pentru a le putea consulta pe viitor.

Termenul "sculă electrică" prezent în toate avertismentele de mai jos se referă la scula dumneavoastră electrică alimentată la priză (cu cablu de alimentare) sau la scula electrică alimentată de la acumulatori (fără cablu de alimentare).

#### 1) Siguranța În zona de lucru

- Păstrați zona de lucru curată și bine luminată.**  
*Zonele de lucru dezordonate și întunecate predispun la accidente.*
- Nu utilizați sculele electrice în atmosferă explozivă, cum ar fi în prezența lichidelor, gazelor sau a prafurilor inflamabile.**  
*Sculele electrice produc scântei care pot aprinde praful sau aburii.*
- Țineți copiii sau privitorii la distanță în timp ce utilizați scula electrică.**  
*Distragerea atenției vă poate face să pierdeți controlul asupra sculei.*

#### 2) Siguranța din punct de vedere electric

- Ștecărele sculelor electrice trebuie să se potrivească în prizele în care sunt introduse. Nu modificați niciodată ștecărul în nici un fel. Nu folosiți niciun fel de adaptoare pentru ștecăr la sculele electrice cu împământare (legate la pământ).**  
*Ștecărele nemodificate și prizele potrivite reduc riscul de șoc electric.*
- Evitați contactul corpului cu suprafețele legate la pământ, cum ar fi conductele, radiatoarele, cuptoarele și frigiderele.**  
*În cazul în care corpul dvs. este legat la pământ există un risc crescut de electrocutare.*
- Nu expuneți sculele electrice la ploaie și nu le lăsați în atmosferă umedă.**  
*Intrarea apei într-o sculă electrică mărește riscul de electrocutare.*
- Nu forțați cablul de alimentare. Nu folosiți niciodată cablul de alimentare pentru a transporta, a trage sau a scoate scula electrică din priză. Țineți cablul de alimentare departe de căldură, ulei, mυχii ascuțite și de piese în mișcare. Cablurile de alimentare deteriorate sau încolăcite măresc riscul de șoc electric.**
- Atunci când folosiți o sculă electrică în aer liber, folosiți un prelungitor adecvat pentru utilizarea în exterior.**  
*Folosirea unui prelungitor adecvat pentru exterior reduce riscul de șoc electric.*
- Dacă utilizarea într-o zonă umedă nu poate fi evitată, folosiți o sursă de alimentare cu întrerupător de protecție la curent rezidual (RCD).**  
*Folosirea dispozitivelor RCD reduce riscul producerii șocurilor electrice.*

#### 3) Siguranța personală

- Atunci când folosiți o sculă electrică fiți vigilenți, fiți atenți la ceea ce faceți și acționați conform bunului simț.**  
**Nu folosiți scule electrice atunci când sunteți obosit sau vă aflați sub influența drogurilor, a alcoolului sau a medicamentelor.**  
*Un moment de neatenție în timpul utilizării unei scule electrice poate provoca vătămări personale grave.*
  - Folosiți echipament personal de protecție. Purtați întotdeauna protecție a ochilor.**  
*Echipamentele de protecție cum ar fi măștile pentru praf, încălțăminte anti-alunecare, căștile și protecțiile auditive, folosite în situațiile corespunzătoare, reduc vătămările personale.*
  - Evitați pornirea accidentală. Înainte de a conecta scula la priză și/sau la bateria de acumulatori și înainte de a ridica sau transporta scula, asigurați-vă că aveți comutatorul de pornire pe poziția oprit.**  
*Transportarea sculelor electrice cu degetul pe comutator sau introducerea în priză a sculelor electrice care au comutatorul pe poziția pornit sunt situații ce predispun la accidente.*
  - Înainte de a pune scula electrică în funcțiune, îndepărtați toate cheile de reglare și orice alte chei.**  
*O cheie sau o cheie de reglare rămase atașate de piesa rotativă a sculei electrice poate provoca vătămări personale.*
  - Nu încercați să ajungeți prea departe. Mențineți permanent un contact corect al piciorului și un bun echilibru.**  
*Acest lucru permite un mai bun control al sculei electrice în situații neașteptate.*
  - Îmbrăcați-vă adecvat. Nu purtați haine largi și nici bijuterii. Țineți-vă părul, hainele și mânușile departe de piesele în mișcare.**  
*Hainele largi, bijuteriile și pot fi prinse în piesele în mișcare.*
  - Dacă sunt prevăzute dispozitive de conectare la facilități de extragere și colectare a prafului, asigurați-vă că acestea sunt conectate și sunt folosite corespunzător.**  
*Folosirea acestor dispozitive poate reduce pericolele legate de praf.*
- #### 4) Utilizarea și îngrijirea sculei electrice
- Nu forțați scula electrică. Folosiți scula adecvată pentru aplicația dvs.**  
*Scula potrivită va face treabă mai bună și mai sigură la parametrii la care a fost proiectată.*
  - Nu folosiți scula electrică în cazul în care comutatorul nu își îndeplinește funcția de pornire și oprire.**  
*Sculele electrice care nu pot fi comandate prin intermediul comutatorului sunt periculoase și trebuie reparate.*
  - Înainte de a face orice fel de reglaje, de a schimba accesoriile și de a depozita sculele electrice, scoateți ștecărul din priză și/sau de la bateria de acumulatori.**  
*Aceste măsuri preventive de siguranță reduc riscul pornirii accidentale a sculei electrice.*



- d) Depozitați sculele electrice neutilizate departe de zona de acțiune a copiilor și nu lăsați persoanele care nu sunt familiarizate cu scula electrică sau cu prezentele instrucțiuni să folosească scula electrică.

*Sculele electrice sunt periculoase în mâinile utilizatorilor neinstruiți.*

- e) Țineți sculele electrice. Verificați alinierea și prinderea pieselor în mișcare, ruperea pieselor precum și toate celelalte aspecte care ar putea să influențeze funcționarea sculelor electrice. Dacă scula electrică este deteriorată, înainte de a o utiliza duceți-o la reparat.

*Multe accidente sunt provocate de scule electrice necorespunzător întreținute.*

- f) Păstrați elementele de tăiere curate și ascuțite. Elementele de tăiere bine întreținute și cu muchiile tăietoare bine ascuțite sunt mai ușor de controlat și este mai puțin probabil să se agațe.

- g) Folosiți scula electrică, accesoriile și vârfulurile etc. în conformitate cu prezentele instrucțiuni, luând în considerare condițiile de lucru și operațiunile ce urmează a fi efectuate.

*Folosirea sculei electrice pentru alte operațiuni decât cele prevăzute poate avea ca efect apariția unor situații periculoase.*

## 5) Service

- a) Scula electrică trebuie reparată de o persoană calificată, folosind numai piese de schimb identice. Astfel se asigură menținerea siguranței sculei electrice.

## PRECAUȚIE

Țineți copiii și persoanele infirme la distanță.

Atunci când nu este folosită, scula electrică trebuie depozitată departe de zona de acțiune a copiilor și a persoanelor infirme.

## AVERTISMENTE PRIVIND SIGURANȚA COMUNE OPERAȚIUNILOR DE POLIZARE ȘI DE TĂIERE PRIN ABRAZIUNE

- a) Această sculă electrică a fost proiectată pentru a fi utilizată ca polizor sau ca sculă pentru tăiat. Citiți toate avertismentele privind siguranța, toate instrucțiunile, toate ilustrațiile și toate specificațiile puse la dispoziție pentru această sculă electrică.

*Nerespectarea oricăreia din instrucțiunile prezentate mai jos poate avea ca efect șocuri electrice, incendii și/sau vătămări grave.*

- b) Nu se recomandă folosirea acestei scule electrice pentru operațiuni cum ar fi sablarea, perierea cu sârmă sau lustruirea.

*Operațiunile pentru care scula electrică nu a fost proiectată pot crea riscuri și pot provoca vătămări personale.*

- c) Nu folosiți accesoriile care nu au fost special proiectate și recomandate de producătorul sculei. Chiar dacă aceste accesorii pot fi atașate sculei electrice, acest lucru nu înseamnă că ele pot fi utilizate în siguranță.

- d) Viteza nominală a accesoriilor trebuie să cel puțin egală cu viteza maximă indicată pe scula electrică. Accesoriile care sunt folosite la o viteză mai mare decât viteza lor nominală se pot rupe și apoi zbura în bucăți.

- e) Diametrul exterior și grosimea accesoriului folosit trebuie să fie în domeniul nominal al sculei electrice. *Accesoriile cu dimensiuni necorespunzătoare nu pot fi protejate și controlate în mod corect.*

- f) Dimensiunea orificiilor pentru ax ale discurilor, a flanșelor, a discurilor de susținere și a tuturor celorlalte accesorii trebuie să se potrivească în mod corespunzător pe axul sculei electrice. *Accesoriile care au orificii pentru ax care nu se potriveșc cu echipamentul de montare al sculei electrice își vor pierde echilibrul, vor vibra excesiv și pot provoca pierderea controlului.*

- g) Nu folosiți un accesoriu deteriorat. Înainte de fiecare utilizare, vă rugăm să verificați accesoriile cum ar fi discurile abrazive, pentru a vă asigura că acestea nu au crăpături și nu sunt ciobite, discul de susținere pentru a vă asigura că acesta nu are crăpături, nu este zgâriat și nu este uzat excesiv, peria de sârmă pentru a vă asigura că aceasta nu are fire slăbite sau crăpate. Dacă scula electrică sau accesoriile sunt scăpate pe jos, verificați-le pentru a identifica eventualele deteriorări sau montați un accesoriu nou. După verificarea și montarea unui accesoriu, poziționați-vă atât dvs. cât și cei din preajmă departe de planul de rotație al accesoriului și puneți scula în funcțiune, la viteză maximă fără sarcină, timp de un minut.

*În mod normal, accesoriile deteriorate se vor sparge pe durata acestui test.*

- h) Purtați echipament personal de protecție. În funcție de utilizare, folosiți mască pentru față sau ochelari de protecție. După caz, purtați mască pentru praf, protecție auditivă, mănuși și șorț pentru atelier capabil să oprească elementele abrazive de mici dimensiuni și fragmentele de element prelucrat. *Protecția pentru ochi trebuie să poată opri elementele proiectate în aer ce sunt produse în diversele operațiuni. Maska pentru praf sau masca respiratorie trebuie să poată filtra particulele generate în decursul operațiunii. Expunerea prelungită la zgomot intens poate provoca pierderea auzului.*

- i) Țineți privitorii la o distanță sigură de zona de lucru. Toate persoanele care intră în zona de lucru trebuie să poarte echipament personal de protecție.

*Fragmentele pieselor de prelucrat sau ale accesoriilor sparte pot ajunge departe și pot provoca vătămări în afara zonei imediate de lucru.*

- j) Atunci când efectuați operațiuni în care accesoriul pentru tăiere poate intra în contact cu cabluri ascunse sau cu propriul cablu de alimentare, țineți scula electrică numai de suprafețele de prindere izolate.

*Un accesoriu de tăiere care intră în contact cu un fir sub tensiune poate face ca părțile metalice ale sculei electrice să fie puse sub tensiune și, astfel, operatorul poate suferi șocuri electrice.*

- k) Plasați cablul de alimentare departe de accesoriul aflat în mișcare de rotație.

*Dacă pierdeți controlul, cablul de alimentare poate fi tăiat sau agățat iar mâna sau brațul dvs. pot fi trase în accesoriul aflat în mișcare de rotație.*

- l) Nu lăsați niciodată scula electrică jos înainte de oprirea completă a accesoriului.

Accesorii aflate în mișcare de rotație poate atinge suprafața și poate face ca scula electrică să vă scape de sub control.

**m) Nu utilizați scula electrică în timp ce o transportați în lateralul dvs.**

Contactul accidental cu accesoriului aflat în mișcare de rotație poate agăța hainele dvs., trăgând accesoriul spre corpul dvs.

**n) Curățați regulat orificiile de aerisire ale sculei electrice.**

Ventilatorul motorului poate aspira praf în interiorul carcasei, iar acumularea excesivă de pulberi metalice poate provoca riscuri din punct de vedere electric.

**o) Nu utilizați scula electrică în apropierea materialelor inflamabile.**

Scântele pot aprinde aceste materiale.

**p) Nu folosiți accesoriile care necesită răcire cu ajutorul lichidelor.**

Folosirea apei sau a altor lichide de răcire poate provoca electrocutare sau șoc electric.

## RECULUL ȘI AVERTISEMENTELE CORESPUNZĂTOARE

Recul este o reacție rapidă provocată de un disc în rotație, disc de susținere, perie sau orice alt accesoriu, care se prinde sau se împiedică. Prinderea sau împiedicarea provoacă oprirea rapidă a accesoriului aflat în mișcare de rotație, ceea ce provoacă deplasarea necontrolată a sculei electrice în sensul opus sensului de rotație al accesoriului, în punctul de prindere.

De exemplu, dacă un disc abraziv se prinde sau se împiedică în piesa de prelucrat, discul poate tăia piesa de prelucrat în punctul de prindere și poate provoca ridicarea discului pe piesă sau mișcarea de recul. Discul poate să sară fie spre operator fie departe de operator, în funcție de sensul de rotație a discului în momentul prinderii. De asemenea, în astfel de condiții discurile abrazive se pot rupe.

Recul este rezultatul folosirii necorespunzătoare și/sau al unor proceduri sau condiții de utilizare incorecte și poate fi evitat prin adoptarea unor precauții adecvate, precum cele prezentate mai jos.

**a) Țineți cu fermitate scula electrică și poziționați-vă corpul și brațul în așa fel încât să puteți rezista forțelor de recul. Folosiți întotdeauna mânerul auxiliar, dacă acesta este furnizat, pentru a avea un control maxim asupra reculului sau a reacțiunii ce produce răsucire la pornirea sculei.**

Operatorul poate controla atât reacțiunea ce produce răsucire cât și forțele de recul, dacă au fost luate precauțiile necesare.

**b) Nu țineți niciodată mâna lângă accesoriul aflat în mișcare de rotație.**

Datorită reculului, accesoriul poate veni peste mâna dvs.

**c) Nu vă poziționați corpul în zona în care scula se va deplasa în cazul apariției reculului.**

Forța de recul va propulsa scula în sensul opus mișcării discului în punctul de împiedicare.

**d) Fiți foarte precauți atunci când lucrați colțuri, muchii ascuțite etc. Evitați contactul brusc cu piesa și împiedicarea accesoriului.**

Colțurile, muchiile ascuțite și contactul brusc cu piesa de prelucrat au tendința de a produce împiedicarea accesoriului aflat în mișcare de rotație și de a provoca pierderea controlului sau reculul.

**e) Nu atășați niciodată lame de ferăstrău pentru cioplire în lemn și nici lame de ferăstrău dințate. Aceste lame produc frecvent reculuri și pierderi ale controlului.**

## AVERTISEMENTE PRIVIND SIGURANȚA PENTRU OPERAȚIUNILE DE POLIZARE ȘI DE TĂIERE PRIN ABRAZIUNE

**a) Folosiți numai discuri din tipurile recomandate pentru scula dvs. electrică, precum și apărătoarea specifică proiectată pentru discul respectiv.**

Discurile care nu au fost proiectate pentru scula electrică respectivă nu pot fi protejate în mod corespunzător și nu prezintă siguranță.

**b) Apărătoarea trebuie atașată ferm de scula electrică și trebuie poziționată astfel încât să asigure o siguranță maximă, astfel încât o porțiune cât mai mică a discului să fie expusă spre operator.**

Apărătoarea are ca scop protejarea operatorului de fragmentele discului spart și de contactul accidental cu discul.

**c) Discurile trebuie folosite numai pentru aplicațiile recomandate. De exemplu: nu polizați cu partea laterală a discului pentru tăiere.**

Discurile abrazive pentru tăiere sunt proiectate pentru a realiza abraziunea cu zona periferică, aplicarea unor forțe laterale putând provoca spargerea discului.

**d) Folosiți întotdeauna flanșe pentru disc ce nu prezintă defecțiuni și care au dimensiunile și forma corespunzătoare pentru discul utilizat.**

Flanșele adecvate pentru disc susțin discul, reducând astfel posibilitatea ca acesta să se spargă. Flanșele pentru discurile pentru tăiere pot fi diferite de cele pentru discurile de polizat.

**e) Nu folosiți discuri uzate de la scule electrice mari.**

Discurile proiectate pentru sculele electrice mari nu sunt adecvate pentru vitezele ridicate ale sculelor electrice mici și se pot sparge.

## AVERTISEMENTE SUPLIMENTARE PRIVIND SIGURANȚA PENTRU OPERAȚIUNILE DE TĂIERE PRIN ABRAZIUNE

**a) Nu "blocați" discul pentru tăiere și nu aplicați o presiune excesivă. Nu încercați să faceți canelura excesiv de adâncă.**

Suprasolicitarea discului mărește solicitarea la care acesta este supus și crește posibilitatea ca acesta să se îndoie sau să se blocheze în canelură, precum și posibilitatea de recul sau de spargere a discului.

**b) Nu vă poziționați corpul în linie cu discul aflat în mișcare de rotație și nici nu stați în spatele acestuia.**

Atunci când discul, aflat în punctul de contact, se mișcă într-o direcție ce se îndepărtează de corpul dvs., un eventual recul poate împinge discul aflat în mișcare de rotație, împreună cu scula electrică, direct spre dvs.

- c) **Atunci când discul s-a blocat sau dacă întrerupeți tăierea indiferent de motiv, opriți scula electrică și țineți-o nemișcată până la oprirea completă a discului. Nu încercați niciodată să scoateți discul pentru tăiat din canelură atâta timp cât discul se află în mișcare, în caz contrar putând apărea reculul.**

*Cercetați cauza blocării discului și luați măsuri corective pentru a elimina cauza acesteia.*

- d) **Nu reincepteți operațiunea de tăiere cu discul în interiorul piesei de prelucrat. Așteptați ca discul să atingă viteza maximă și apoi reintroduceți-l cu grijă în canelură.**

*Discul se poate agăța, se poate deplasa sau poate provoca recul dacă scula electrică este pornită având discul în interiorul piesei de prelucrat.*

- e) **Panourile de susținere sau orice piese de lucru supradimensionale pentru minimizarea riscului ca discul să ciupească și să repercuteze.**

*Piese mari tind să se încovoie sub propria greutate. Se vor plasa elemente de susținere sub piesele de lucru aproape de linia de tăiere și aproape de marginea piesei pe ambele părți ale discului.*

- f) **Folosiți măsuri de precauție suplimentare prin executarea unei "tăieturi-buzunar" în zidul existent sau în zonele oarbe.**

*Discul cu preeminență poate tăia conductele de gaz sau apă, cablurile electrice sau obiecte de care poate repercuta.*

- Verificați discul de polizor înainte de utilizare, nu folosiți discuri ciobite, crăpate sau care prezintă alte defecte;
  - Asigurați-vă că discurile și vârfulurile sunt montate în conformitate cu indicațiile producătorului;
  - Folosiți discuri-tampon atunci când acestea sunt furnizate împreună cu produsele abrazive și atunci când utilizarea acestora este necesară;
  - Înainte de utilizare asigurați-vă că produsul abraziv este corect montat și bine strâns și efectuați un test de funcționare de 30 s într-o poziție sigură, opriți imediat în cazul în care observați vibrații excesive sau alte defecte. Dacă se întâmplă așa ceva, verificați mașina și stabiliți cauzele;
  - Dacă scula este prevăzută cu o apărătoare, nu folosiți niciodată scula fără respectiva apărătoare;
  - Nu folosiți bușe reductoare separate sau adaptoare pentru a adapta discuri abrazive cu orificii mai mari;
  - Pentru sculele pe care se folosesc discuri cu orificii filetate, asigurați-vă că filetul discului este suficient de lung pentru a accepta întreaga lungime a axului;
  - Verificați că piesa de prelucrat este bine fixată;
  - Nu folosiți discuri de debitare pentru operațiuni de polizare;
  - Asigurați-vă că scânteele ce apar în timpul folosirii mașinii nu creează pericole, de exemplu nu ating persoane și nu provoacă aprinderea unor substanțe inflamabile;
  - Atunci când lucrați în condiții cu praf, asigurați-vă că orificiile de ventilație nu sunt obturate, dacă devine necesar să îndepărtați praful, mai întâi deconectați scula de la sursa de alimentare cu energie electrică (nu folosiți obiecte din metal) și evitați deteriorarea componentelor interne;
  - Purtați întotdeauna protecție pentru ochi și protecție auditivă.
- Trebuie purtate și alte echipamente de protecție personală cum ar fi masca pentru praf, mănuși, cască și șorț;
- Fiți atenți la discul de polizor, care continuă să se rotească după ce mașina a fost oprită.

## INSTRUCȚIUNI GENERALE DE SECURITATE PENTRU POLIZOARE

- Verificați, pentru a vă asigura că viteza marcată pe discul de polizor este egală cu sau mai mare decât viteza nominală a polizorului;
- Asigurați-vă că dimensiunile discului de polizor sunt compatibile cu polizorul;
- Discurile abrazive vor fi depozitate și manipulate cu grijă, în conformitate cu instrucțiunile producătorului;

## SPECIFICAȚII

Model	G10SS	G12SS	G13SS
Tensiune de alimentare (pe zone)*	(110V, 120V, 220V, 230V, 240V) $\cup$		
Putere instalată*	580 W		
Viteză fără sarcină	11000 min <sup>-1</sup>		10000 min <sup>-1</sup>
Disc	Diam. ext. × diam. discului	100 × 16 mm	115 × 22 mm
	Viteză periferică	72 m/s	80 m/s
Greutate (Numai corpul principal)	1,4 kg		

\*Verificați plăcuța cu specificații a produsului, deoarece acesta poate diferi de la o zonă la alta.

## ACCESORII STANDARD

- (1) Cheie ..... 1  
 (2) Măner lateral ..... 1  
 Accesoriile standard pot fi schimbate fără notificare prealabilă.

## UTILIZARE

- Îndepărtarea nervurilor de turnare și finisarea diverselor tipuri de materiale cum ar fi oțel, bronz și aluminiu și a pieselor turnate.
- Polizarea porțiunilor sudate sau a porțiunilor tăiate prin intermediul unui aparat de tăiere cu flacăra.

---

**ÎNAINTE DE UTILIZARE**


---

- 1. Sursa de alimentare cu energie electrică**  
Asigurați-vă de faptul că sursa de alimentare cu energie electrică ce urmează a fi folosită este conformă cu cerințele indicate pe plăcuța indicatoare a produsului.
- 2. Comutatorul pentru punere în funcțiune**  
Asigurați-vă că ați poziționat comutatorul în poziția OFF (OPRIT). Dacă ștecherul este conectat la priză iar comutatorul este în poziția ON (PORNIT), mașina va începe să funcționeze imediat, putându-se produce vătămări grave.
- 3. Cablul prelungitor**  
Atunci când zona de lucru este departe de sursa de alimentare, folosiți un cablu prelungitor de o grosime suficientă și cu parametri corespunzători. Cablul prelungitor trebuie să fie cât mai scurt posibil.
- 4. Montarea și reglarea apărătorii discului**  
Apărătoarea discului este un dispozitiv de protecție ce are ca scop prevenirea vătămarilor în cazul în care discul cu centru depresat se distruge în timpul funcționării. Înainte de a începe operațiunea de polizare, asigurați-vă că apărătoarea este corect fixată și strânsă. Prin slăbirea ușoară a șurubului de reglare, apărătoarea discului poate fi rotită și fixată la orice unghi, pentru o eficiență maximă a operațiunii. După reglarea apărătorii discului asigurați-vă că șurubul de reglare este bine strâns.
- 5. Asigurați-vă că discurile și vârfurile sunt montate în conformitate cu indicațiile producătorului.**  
Asigurați-vă că discul cu centru depresat ce urmează a fi utilizat este de tipul corespunzător și nu are crăpături și nici defecte pe suprafață. De asemenea, asigurați-vă că discul cu centru depresat este montat corect și că piulița pentru disc este bine strânsă. Consultați secțiunea referitoare la "MONTAREA ȘI DEMONTAREA DISCULUI CU CENTRU DEPRESAT"  
Folosiți discuri-tampon atunci când acestea sunt furnizate împreună cu produsele abrazive și atunci când utilizarea acestora este necesară.  
Nu folosiți bușe reductoare separate sau adaptoare pentru a adapta discuri abrazive cu orificii mai mari. Pentru sculele pe care se folosesc discuri cu orificii filetate, asigurați-vă că filetul discului este suficient de lung pentru a accepta întreaga lungime a axului.  
Nu folosiți discuri de debitare pentru operațiuni de polizare.
- 6. Efectuarea unui test de funcționare**  
Asigurați-vă că produsele abrazive sunt corect montate și strânse și apoi porniți mașina și testați-o timp de 30 de secunde, fără sarcină, într-o poziție sigură, opriți imediat mașina dacă observați vibrații excesive sau alte defecte.  
Dacă se întâmplă așa ceva, verificați mașina și stabiliți cauzele.
- 7. Verificați butonul**  
Verificați pentru a vă asigura că butonul este dezactivat, apăsând butonul de două sau de trei ori înainte de a pune mașina în funcțiune (vezi Fig. 2).
- 8. Fixarea mânerului lateral**  
Înșurubați mânerul lateral în carcasa mașinii.

---

**UTILIZAREA PRACTICĂ A POLIZORULUI UNGHIULAR**


---

- 1. Presiunea**  
Pentru a prelungi durata de viață a mașinii și pentru a asigura o finisare de prima clasă, este important ca mașina să nu fie supraîncărcată prin aplicarea unei presiuni excesive. În majoritatea aplicațiilor, greutatea mașinii este suficientă pentru a asigura o polizare eficientă. O presiune excesivă va avea ca efect reducerea vitezei de rotație, finisarea necorespunzătoare a suprafeței, supraîncărcarea mașinii - situații ce pot reduce durata de funcționare a mașinii.
- 2. Unghiul de polizare**  
Nu folosiți întreaga suprafață a discului cu centru depresat pe piesa de polizat. Așa cum este prezentat în Fig. 1, mașina trebuie ținută la un unghi de 15° - 30° astfel încât fața exterioară a discului cu centru depresat să vină în contact cu materialul la un unghi optim.
- 3. Pentru a preveni ca un disc cu centru depresat nou să taie adânc în piesa de prelucrat, polizarea inițială se va face prin deplasarea polizorului unghiular de-a lungul piesei de prelucrat, spre operator (Fig. 1 direcția B).** După ce fața activă a discului cu centru depresat s-a rotat suficient, polizarea se poate face în ambele direcții.
- 4. Precauții imediat după finalizarea operațiunii**  
După ce scula este oprită discul abraziv continuă să se rotească.  
După oprirea mașinii, nu o puneți jos până când discul cu centru depresat nu s-a oprit complet. Pe lângă evitarea unor accidente grave, această precauție face ca mașina să absoarbă mai puțin praf și șpan.

**PRECAUȚII**

- Verificați că piesa de prelucrat este bine fixată.
- Atunci când lucrați în condiții cu praf, asigurați-vă că orificiile de ventilație nu sunt obturate.  
Dacă devine necesar să îndepărtați praful, mai întâi deconectați scula de la sursa de alimentare cu energie electrică (nu folosiți obiecte din metal) și evitați deteriorarea componentelor interne.
- Asigurați-vă că șantele ce apar în timpul folosirii mașinii nu creează pericole, de exemplu nu ating persoane și nu provoacă aprinderea unor substanțe inflamabile.
- Purtați întotdeauna protecție pentru ochi și protecție auditivă.  
Alte echipamente de protecție personală cum ar fi masca pentru praf, mănuși, cască și șorț se vor purta dacă este necesar.  
Dacă nu sunteți siguri, purtați echipamentul de protecție personală.
- Atunci când mașina nu este folosită, aceasta trebuie deconectată de la sursa de alimentare cu energie electrică.

---

**MONTAREA ȘI DEMONTAREA DISCULUI CU CENTRU DEPRESAT (Fig. 2)**


---

**PRECAUȚIE** Asigurați-vă că ați OPRIT mașina și că ați scos ștecherul din priză, pentru a evita producerea unor accidente grave.

**1. Montare (Fig. 2)**

- (1) Rotiți polizorul unghiular cu partea superioară în jos, astfel încât axul să fie îndreptat în sus.

- (2) Aliniați marcajele transversale ale șaibe discului cu partea canelată a axului și apoi atașați-le.
- (3) Potrivii protuberanța discului cu centru depresat pe șaiba discului.
- (4) Înșurubați piulița discului pe ax.
- (5) În timp ce cu o mână împingeți butonul, cu cealaltă mână rotiți ușor discul cu centru depresat pentru a bloca axul.  
Strângeți piulița discului folosind cheia furnizată, așa cum este prezentat în Fig. 2.

## 2. Demontare

Aplicați în sens invers procedura descrisă mai sus.

### PRECAUȚII

- Asigurați-vă că discul cu centru depresat este montat ferm.
- Înainte de a pune mașina în funcțiune, asigurați-vă că butonul este dezactivat, apăsând butonul de două sau de trei ori.

## ÎNTREȚINERE ȘI VERIFICARE

### 1. Verificarea discului cu centru depresat

Asigurați-vă că discul cu centru depresat nu are crăpături și nici defecte pe suprafață.

### 2. Verificarea șuruburilor de montare

Verificați regulat toate șuruburile de montare și asigurați-vă că acestea sunt strânse corespunzător. Dacă vreunul din șuruburi este slăbit, strângeți-l imediat. Nerespectarea acestei indicații poate duce la pericole grave.

### 3. Verificarea periiilor cu carbon (Fig. 3)

Motorul folosește perii cu carbon care reprezintă componente consumabile. Întrucât o perie cu carbon foarte uzată poate produce probleme motorului, înlocuiți periiile cu carbon cu unele noi care au același număr ca cel prezentat în figură, când acestea devin uzate sau la "limita uzurii". În plus, mențineți mereu curate periiile cu carbon și asigurați-vă că alunecă ușor în suporturile pentru perii.

### 4. Înlocuirea periiilor cu carbon

Dezasamblați capacele periiilor cu o șurubelniță cu cap crestat. Atunci periiile pot fi ușor scoase.

### 5. Întreținerea motorului

Bobinajul motorului este inima motorului.

Fiți foarte atenți să nu deteriorați bobinajul și să nu îl expuneți la ulei sau la apă.

### 6. Lista pieselor de schimb pentru reparații

#### PRECAUȚIE

Reparațiile, modificările și verificarea sculelor electrice Hitachi se vor efectua numai la o unitate service autorizată de Hitachi.

În mod particular, întreținerea dispozitivului laser va fi efectuată de un agent autorizat de către producătorul dispozitivului laser.

Repararea dispozitivului laser va fi efectuată întotdeauna de către o unitate service autorizată de Hitachi.

Această listă de piese va fi de ajutor dacă va fi prezentată împreună cu mașina la unitatea service autorizată de Hitachi atunci când solicitați efectuarea de reparații sau de operațiuni de întreținere.

Pe durata folosirii și a operațiunilor de întreținere a mașinii trebuie respectate reglementările și standardele naționale privind securitatea.

## MODIFICĂRI

Sculele electrice Hitachi sunt în mod constant îmbunătățite și modificate, pentru a îngloba cele mai noi cuceriri tehnologice.

De aceea, anumite piese pot fi modificate fără notificare prealabilă.

## GARANȚIE

Garantăm sculele electrice Hitachi în conformitate cu reglementările statutare/specifice țării. Această garanție nu acoperă defectele sau daunele provocate de utilizarea necorespunzătoare, abuz sau de uzura și deteriorarea normale. În cazul în care aveți reclamații, vă rugăm să trimiteți scula electrică nedemontată, împreună cu CERTIFICATUL DE GARANȚIE care se găsește la finalul prezentelor Instrucțiuni de utilizare, la o unitate service autorizată de Hitachi.

## NOTĂ

Ca urmare a programului continuu de cercetare și dezvoltare derulat de Hitachi, prezentele specificații pot fi modificate fără notificare prealabilă.

## Informații privind nivelul de zgomot transmis prin aer și nivelul de vibrații

Valorile măsurate au fost determinate în conformitate cu EN 60745 și este declarată conformă cu ISO 4871.

Nivelul tipic al puterii sonore ponderate A: 98 dB (A)

Nivelul tipic al presiunii sonore ponderate A: 87 dB (A)

Nivel sonor, KpA: 3 dB (A)

Purtați echipament de protecție auditivă.

Valorile totale ale vibrațiilor (suma vectorială pe cele trei axe) au fost stabilite în conformitate cu EN60745.

Polizarea suprafețelor:

Valoarea emisiei de vibrații **a<sub>h</sub>**, **AG** = 6,3 m/s<sup>2</sup>

Precizie K = 1,5 m/s<sup>2</sup>

## AVERTISMENT

- Valoarea emisiei de vibrații în timpul folosirii efective a sculei electrice poate diferi de valorile declarate, în funcție de modul de utilizare a sculei.
- Pentru identificarea măsurilor de siguranță ce trebuie luate pentru protejarea operatorului și care sunt bazate pe estimarea expunerii, în condiții reale de utilizare (ținând seama de toate componentele ciclului de utilizare, cum ar fi timpul necesar opririi sculei și timpul de funcționare suplimentar la pornirea sculei).

## SPLOŠNA VARNOSTNA NAVODILA ZA ELEKTRIČNO ORODJE

### OPOZORILO

Preberite vas varnostna opozorila in navodila. Z neupoštevanjem opozoril in navodil tvegate električni udar, požar in/ali resne telesne poškodbe.

Vsa opozorila in navodila shranite.

Izraz "električno orodje" v opozorilih se nanaša na električno orodje, ki se napaja z omrežno energijo (s priključno vrvico), ali električno orodje, ki se napaja z energijo iz akumulatorskih baterij (brez priključne vrvice).

### 1) Varnost na delovnem mestu

- a) **Delovno mesto mora biti čisto in dobro osvetljeno.**  
*V razmetanih in temačnih območjih je verjetnost nesreč večja.*
- b) **Električnega orodja ni dovoljeno uporabljati v eksplozivnih okoljih, na primer v bližini vnetljivih tekočin, plinov ali prahu.**  
*Pri delu z električnim orodjem se iskri – iskre lahko vnamejo prah in hlape.*
- c) **Preprečite dostop otrokom in drugim v delovno območje vključenega električnega stroja.**  
*Zaradi motenja lahko izgubite nadzor.*

### 2) Električna varnost

- a) **Vtiči električnega orodja morajo ustrezati vtičnici. Vtiča ni dovoljeno kakor koli spreminjati.**  
**Za povezavo ozemljenega električnega orodja ni dovoljeno uporabiti vmesnih vtičev.**  
*Z nespremenjenimi vtiči in ustreznimi vtičnicami je tveganje električnega udara manjše.*
- b) **Preprečite stik z ozemljenimi površinami, kot so cevi, radiatorji, peči in hladilniki.**  
*Ko je telo delavca ozemljeno, je nevarnost električnega udara večja.*
- c) **Električnega orodja ni dovoljeno izpostavljati na dež ali v mokre pogoje.**  
*Z vdorom vode v električno orodje je nevarnost električnega udara velika.*
- d) **Ne zlorabljajte priključne vrvice. Priključne vrvice ni dovoljeno uporabljati za prenašanje, vlečenje in izklapljanje električnega orodja.**  
**Priključne vrvice ne izpostavljajte na vročino, olje, ostre robove in premične dele.**  
*Med uporabo poškodovanih in zamotanih priključnih vrvic je nevarnost električnega udara večja.*
- e) **Za uporabo električnega orodja na prostem priključite podaljšek, ki je izdelan za takšno uporabo.**  
*Z uporabo priključne vrvice, ki je izdelana za delo na prostem, je nevarnost električnega udara manjša.*
- f) **Če je delo z električnim orodjem v vlažnem okolju neizbežno, uporabite napajanje, ki je zaščiteno s stikalom za diferencialni tok (RCD).**  
*Zaščitno stikalo za diferencialni tok (RCD) zmanjša nevarnost električnega udara.*

### 3) Osebna varnost

- a) **Ostanite zbrani, pazite, kaj delate in delajte po pameti.**  
**Električnega orodja ni dovoljeno uporabljati, če ste utrujeni ali pod vplivom mamil, alkohola ali zdravil.**  
*Trenutek nepozornosti med delom z električnim orodjem je lahko vzrok za resne telesne poškodbe.*

- b) **Uporabljajte osebno zaščitno opremo. Za delo si obvezno nadenite zaščito za oči.**

*Zaščitna oprema, kot so maska za prah, nezdrnsni čevlji, čelada ali zaščita za ušesa, ustrezno uporabljena v danih pogojih, zmanjša nevarnost telesnih poškodb.*

- c) **Preprečite neželen zagon. Preden stroj povežete na omrežni vir in/ali akumulatorski sklop, preden ga dvignete ali prenesete, stikalo obvezno prestavite v položaj izklopa (na "OFF").**

*Pri prenosu električnega orodja s prstom na stikalo ali pri povezavi električnega orodja, ko je stikalo v položaju vklopa "ON", je tveganje nesreč večje.*

- d) **Preden električno orodje vključite, odstranite vse nastavitvene ključe.**

*Med delom z električnim orodjem, kjer je ključ pritrjen na vrtec del tega orodja, je velika nevarnost telesnih poškodb.*

- e) **Ne presegajte. Ves čas trdno stojte in vzdržujte ravnotežje.**

*Na ta način lahko bolje nadzorujete električno orodje v nepričakovanih situacijah.*

- f) **Ustrezno se oblecite. Za delo si nadenite tesna oblačila in snemite nakit. Z lasmi, oblačili in rokavicam ne posegajte med premične dele.**  
*Ohlapna oblačila, nakit ali dolgi lasje se lahko ujamejo med premične dele.*

- g) **Če so na voljo naprave za povezavo odpraševalnih delov in zbiralnikov, slednje povežite in pravilno uporabljajte.**  
*Funkcija zbiranja prahu zmanjša nevarnost v zvezi s prahom.*

### 4) Uporaba in vzdrževanje električnega orodja

- a) **Električnega orodja ne preobremenjujte. Za izbrano delo uporabite ustrezno električno orodje.**  
*Z ustreznim električnim orodjem boste delo opravili bolje in varneje.*
- b) **Električnega orodja ni dovoljeno uporabiti, če s stikalom orodja ne morete vključiti in izključiti.**  
*Električno orodje, ki ga ni možno upravljati s stikalom, je nevarno in ga je treba popraviti.*
- c) **Preden orodje predelate, spremenite priključke ali orodje shranite, iztaknite vtič iz omrežnega vira in/ali baterijski sklop z električnega orodja.**  
*S takšnimi preventivnimi varnostnimi ukrepi zmanjšate nevarnost neželenega zagona orodja.*
- d) **Električno orodje shranite izven dosega otrok in ne dovolite upravljati orodja osebam, ki orodja ne poznajo in ki niso prebrale navodil.**  
*Električno orodje je nevarno v rokah neusposobljenih uporabnikov.*
- e) **Električno orodje vzdržujte. Pregledujte, če je neporavnano, če premični deli zavirajo, če so deli polomljeni in druge pogoje, ki lahko vplivajo na delovanje električnega orodja.**  
**Poškodovano električno orodje je treba pred uporabo popraviti.**  
*Vzrok mnogih nesreč je slabo vzdrževano električno orodje.*
- f) **Rezalno orodje mora biti ostro in čisto.**  
*Pravilno vzdrževano rezalno orodje z ostrimi rezilnimi robovi manj pogosto zavira in ga je lažje upravljati.*
- g) **Električno orodje, priključke in svedre ipd. uporabljajte v skladu s temi navodili, pri čemer upoštevajte pogoje dela in izbrane naloge.**  
*Z uporabo električnega orodja v druge namene nastopi nevarna situacija.*

## 5) Servis

- a) Električno orodje lahko servisira le usposobljen delavec, ki mora uporabljati enake nadomestne dele.

*Na ta način se ohrani varnost električnega orodja.*

**VARNOSTNI UKREP**

Preprečite dostop otrokom in nemočnim osebam.

Orodje, ki ga ne uporabljate, shranite izven dosega otrok in nemočnih oseb.

**VARNOSTNA OPOZORILA, KI VELJAJO ZA BRUŠENJE ALI ABRAZIVNO REZANJE**

- a) To električno orodje je izdelano za brušenje in rezanje. Preberite vsa opozorila, navodila, slike in specifikacije, ki so priloženi k orodju. Neupoštevanje naslednjih navodil pomeni nevarnost električnega udara, požara in/ali resnih telesnih poškodb.
- b) Uporabe tega električnega orodja ne priporočamo za dela, kot so peskanje, žično brušenje in poliranje. Z izvajanjem del, za katera električno orodje ni bilo izdelano, ustvarite nevarnost telesnih poškodb.
- c) Ni dovoljeno uporabljati priključkov, ki jih posebej ne izdelata in odobri izdelovalec orodja. Samo to, da lahko priključek pritrđite na orodje, še ne pomeni varnega obratovanja.
- d) Imenska hitrost priključka mora biti enaka vsaj maks. hitrosti, ki je označena na električnem orodju. Priključki lahko med obratovanjem, ki je hitrejši od njihove imenske hitrosti, zlomijo ali odletijo.
- e) Zunanji premer in debelina priključka ne smeta presežati označene zmoglosti električnega orodja. Priključkov, nepravilne velikosti, ni možno pravilno nadzorovati in upravljati.
- f) Velikost gredi koles, prirobnice, podpornih blazin in drugih priključkov mora ustrezati za namestitvev na vreteno električnega orodja. Priključki z grednimi luknjami, ki ne ustrezajo montirani strojni opremi električnega orodja, postanejo neuravnoteženi, med obratovanjem prekomerno vibrirajo in vam lahko uidejo iz nadzora.
- g) Poškodovanega priključka ni dovoljeno uporabiti. Pred vsako uporabo priključek pregledajte: brusilna kolesa, če so morda razpokana ali odkrušena; podporno blazinico, če je razpokana, raztrgana ali prekomerno obrabljena; pregledajte, če so v žični krtači zrahljana ali počene žičke. Če vam električno orodje ali priključek padeta na tla, pregledajte, če se je enota morda poškodovala oz. montirajte le nepoškodovan priključek. Potem ko pregledate in namestite priključek, se umaknite iz neposrednega območja rotirajočega priključka - to velja tudi za ostale prisotne; stroj pustite teži na maks. hitrosti brez obremenitve eno minuto. Priključki, ki so poškodovani, običajno med tem testnim tekom razpadejo.
- h) Uporabljajte osebno zaščitno opremo. Odvisno od izbranega dela, uporabite ščitnik za obraz, zaščitna očala, ščitnike za ušesa, rokavice in delovni predpasnik, ki lahko zaustavi majhne brusilne delce ali koščke obdelovanca.

Zaščita za oči mora imeti zmoglost zaustaviti leteče odpadke, ki nastajajo med različnimi deli. Zaščitna maska pred prahom ali respirator mora imeti zmoglost filtriranja delcev, ki nastajajo pri delu. Dolgotrajno izpostavljanje velikemu hrupu pomeni nevarnost izgube sluha.

- i) Preprečite dostop v nevarno delovno območje. Vsak, ki vstopi v delovno območje, mora imeti na sebi osebno zaščitno opremo. Delci obdelovanca ali zlomljenega priključka lahko odletijo iz neposrednega območja obdelave in povzročijo telesne poškodbe.
- j) Med delom, kjer rezilni priključek lahko pride v stik s skritim ožičenjem ali svojo priključno vrvico, električno orodje držite za izolirane površine ročaja. Zaradi rezilnega priključka, ki ima "živo" žico, lahko postanejo izpostavljeni kovinski deli električnega orodja "živi" in udarijo uporabnika.
- k) Priključno vrvico namestite stran od vrtečega se priključka. Če izgubite nadzor, lahko vrvico prereže ali odreže, in vam roko potegne v rotirajoči priključek.
- l) Električnega orodja ni dovoljeno odložiti, dokler se priključek do konca ne zaustavi. Rotirajoči priključek lahko zagradi površino, pri čemer lahko izgubite nadzor nad električnim orodjem.
- m) Električnega orodja ne zaženite, ko ga nosite ob strani. Pri nenamernem stiku z rotirajočim priključkom se lahko obleka raztrga in priključek potegne v telo.
- n) Redno čistite zračne odprtine na električnem orodju. Motorni ventilator potegne prah v ohišje in s prekomernim kopičenjem kovinskega prahu se ustvari nevarnost električnega udara.
- o) Z električnim orodjem ni dovoljeno delati v bližini vnetljivih materialov. Iskre, ki se ustvarjajo med delom, lahko vžgejo tak material.
- p) Ne uporabljajte priključkov na tekoča hladilna sredstva. Z uporabo vode ali drugih tekoči hladil lahko povzročite usmrtnete z električno energijo ali električni udar.

**UDAREC NAZAJ IN POVEZANA OPOZORILA**

Udarec nazaj je nenadna reakcija na pritisk ali udarec ob rotacijsko kolo, podporno blazinico oz. drug priključek. S pritiskom ali udarcem povzročite hitro dušenje rotacijskega priključka, pri čemer nenadzorovano električno orodje na mestu povežave na silo spremeni smer, tj. v nasprotno smer vrtenja priključka.

Na primer, če brusilno kolo udari ali pritisne obdelovanec, lahko rob kolesa, ki vstopa v točko stiska, zakoplje v površino materiala, pri čemer kolo izstopi oz. ga vrže ven. Kolo lahko skoči proti upravljavcu, odvisno od smeri premikanja kolesa na mestu stiskanja. Brusilna kolesa se lahko v takšnih pogojih tudi zlomijo.

Udarec nazaj je rezultat nepravilne uporabe in/ali nepravilnih delovnih postopkov oz. pogojev in ga lahko preprečite z upoštevanjem naslednjih varnostnih ukrepov.

- a) Ohranite trden prijem električnega orodja in se postavite tako, da se s telesom in roko lahko uprete morebitnim udarcem nazaj. Obvezno uporabljajte dodaten ročaj, in sicer za največji nadzor nad udarci nazaj oz. reakcijo vrtilnega momenta pri zagonu.

Upravljalavec lahko nadzoruje reakcije vrtilnega momenta, če ustrezno varnostno ukrepa.

- b) V nobenem primeru ni dovoljeno z roko posegati v bližino rotacijskih priključkov. Priključek lahko udari nazaj čez roko.

- c) Ni se dovoljeno namestiti v območje, kamor se električno orodje premakne ob morebitnem udarcu nazaj.

Udarec nazaj zažene orodje v nasprotni smeri premikanja kolesa na mestu udarca.

- d) Posebej previdno delajte okoli kotov, ostrih robov itd. Preprečite poskakovanje in udarjanje priključka.

Koti, ostri robovi ali poskakovanje lahko ovirajo rotacijski priključek - nevarnost izgube nadzora oz. udarca nazaj.

- e) Ni dovoljeno pritrditi lesoreznega rezila verižne žage ali nazobčanega žaginega lista.

Takšna rezila sprožajo pogoste udarce nazaj in izgubo nadzora.

S prekomernim pritiskom na kolo povečate obremenitev in verjetnost za zvijanje oz. zatikanje kolesa v rezu ter verjetnost udarca nazaj ali blokade kolesa.

- b) S telesom ne stopajte ob in za rotacijsko kolo.

Ko se kolo, na točki obdelave, premika stran od telesa upravljavca, lahko morebiten udarec nazaj zažene vrtače se kolo in električno orodje neposredno v upravljavca.

- c) Ko se kolo zatika ali je rez prekinjen, zaradi kakršnega koli razloga že, električno orodje ugasnite in ga pridržite v mirovanju, tako da se kolo do konca zaustavi. V nobenem primeru ne poskušajte odstraniti rezalnega kolesa iz reza, ko se kolo premika - nevarnost udarca nazaj.

Preglejte in ustrezno ukrepajte, tako da odpravite razlog za zatikanje kolesa.

- d) Rezanja ne zaženite v obdelovancu. Pustite, da kolo vzpostavi polno hitrost in ga počasi namestite v rez.

Če električno orodje zažene v obdelovancu, se lahko kolo upogne, zažene hod nazaj oz. udari nazaj.

- e) Podprite plošče ali prevelike obdelovance in na ta način zmanjšajte nevarnost preboda kolesa oz. udarca nazaj kolesa.

Veliki obdelovanci se radi povesijo pod lastno težo. Pod obdelovanca je treba namestiti podpore, in sicer v bližini roba obdelovanca na obeh straneh kolesa.

- f) Posebej previdno delajte pri "žepnem rezanju" v obstoječe stene ali druga slepa območja.

Štrleče kolo lahko zareže v plinske ali vodne cevi, električno ožičenje in pri tem sproži udarec nazaj.

## VARNOSTNA OPOZORILA ZA BRUŠENJE IN BRUSILNO REZANJE

- a) Uporabljajte le tipe koles, kot so priporočeni za izbrano električno orodje, in posebno zaščito, oblikovano posebej za izbrano kolo.

Kolesa, za katere električno orodje ni bilo izdelano, ni možno ustrezno zaščititi in zato niso varna.

- b) Zaščito je treba varno pritrditi na električno orodje in namestiti za maks. varnost, tako da je čimmanj kolesa izpostavljenega proti upravljaljavcu.

Zaščita ščiti upravljavca pred delci zlomljenega kolesa in nenamernim stikom s kolesom.

- c) Kolesa je dovoljeno uporabljati le za priporočene namene. Na primer: ni dovoljeno brusiti s stranskim delom rezalnega kolesa.

Kolesa za rezalno brušenje so za periferno brušenje in pod pritiski na stranski del se lahko ta kolesa zlomijo.

- d) Obvezno uporabljajte nepoškodovane prirobnice, ki po velikosti in obliki ustrezajo izbranemu kolesu. Ustrezne kolesne prirobnice podpirajo kolo in s tem zmanjšajo verjetnost zloma kolesa. Prirobnice za rezalna kolesa so lahko drugačne od prirobnic za brusilna kolesa.

- e) Ni dovoljeno uporabljati obrabljenih koles z večjega električnega orodja.

Kolo, ki je izdelano za večje električno orodje, ni primerno za večjo hitrost manjšega orodja in lahko v takem primeru počí.

## DODATNA VARNOSTNA NAVODILA V ZVEZI Z BRUSILNIM REZANJEM

- a) Rezalnega kolesa ne "zagozdite" oz. nanj ne pritisčajte prekomerno. Ne poskušajte rezati pregloboko.

## SPLOŠNA VARNOSTNA NAVODILA ZA BRUSILNIKE

- Preverite, da je hitrost označena na kolesu enaka ali večja od nominalne hitrosti brusilnika.
- Zagotovite, da so dimenzije kolesa združljive z brusilnikom.
- Brusilna kolesa hranite in z njimi pazljivo rokujte, v skladu z navodili proizvajalca.
- Pred uporabo preverite brusilno kolo; ne uporabljajte zlomljenih, počenih ali drugače poškodovanih izdelkov.
- Prepričajte se, da so nameščena kolesa in točke pritrjene v skladu z navodili proizvajalca.
- Zagotovite, da se uporabljajo pivniki, ko so le-ti priloženi vezanemu brusilnemu izdelku in ko jih potrebujete.
- Pred uporabo orodja se prepričajte se, da so brusilni izdelki pravilno nameščeni in zatesnjeni. Orodje v varnem položaju zaženite brez bremena za 30 sekund. Takoj ga zaustavite, če občutite močne vibracije ali opazite druge poškodbe. Če se to zgodi preverite stroj, da določite vzrok.
- Če je orodje opremljeno z varovalom ga nikoli ne uporabljajte brez njega.
- Ne uporabljajte ločenih ležajnih blazin ali adapterjev za predelavo brusilnih koles z veliko luknjo.
- Za orodja na katera bodo nameščena kolesa z navojnimi luknjami se prepričajte, da je navoj v kolesu dovolj dolg, da sprejme dolžino gredi.
- Preverite ali je delovni predmet primerno podprt.
- Kolesa za rezanje ne uporabljajte za kotno brušenje.
- Prepričajte se, da iskre, ki nastajajo pri uporabi ne ustvarijo nevarnosti npr. zadenejo osebe ali zažgejo vnetljive substance.



- Zagotovite, da so prezračevalne odprtine čiste, ko delate v prašnih pogojih; če je potrebno očistiti prah, najprej izključite orodje iz vira napetosti (uporabite nekovinske predmete) in se s tem izognite poškodb notranjih delov.
- Zmeraj uporabljajte zaščito za oči in ušesa. Ostalo osebno zaščitno opremo kot so maske za prah, rokavice, čelada in predpasnik uporabljajte po potrebi.
- Bodite pozorni na kolo, ki se še vedno obrača, ko orodje izključite.

## SPECIFIKACIJE

Model		G10SS	G12SS	G13SS
Napetost (po območjih)*		(110V, 120V, 220V, 230V, 240V) $\cup$		
Vhodna moč*		580 W		
Hitrost brez obremenitve		11000 min <sup>-1</sup>		10000 min <sup>-1</sup>
Kolo	Zunanji premer x premer luknje	100 x 16 mm	115 x 22 mm	125 x 22 mm
	Hitrost periferne naprave	72 m/s	80 m/s	
Teža (brez kabla)		1,4 kg		

\*Preverite imensko ploščo na izdelku, saj je vrednost odvisna od področja.

## STANDARDNI DODATKI

- (1) Ključ ..... 1  
 (2) Stranska ročica ..... 1  
 Standardni pripomočki se lahko spremenijo brez vnapijšnjega obvestila.

## UPORABA

- Odstranjevanje zaključka odlitkov in zaključevanje različnih tipov jelka, bronca in aluminijastih materialov ter odlitkov.
- Brušenje zavarjenih delov ali delov, ki so bili rezani z gorilnikom za rezanje.

## PRED UPORABO

### 1. Vir napetosti

Zagotovite, da je vir napetosti, ki ga boste uporabili enak zahtevam vira napetosti, ki je določen na imenski plošči izdelka.

### 2. Stikalo za napetost

Prepričajte se, da je stikalo za napetost v položaju OFF (izključeno). Če je vtičak priključen na vtičnico, ko je stikalo v položaju ON (vključeno), bo električno orodje takoj začelo delovati ter lahko povzroči resno nesrečo.

### 3. Podaljševalni kabel

Če je delovno območje oddaljeno od vira napetosti, uporabite podaljševalni kabel primerne debeline in kapacitivnosti. Podaljševalni kabel naj bo čim krajši.

### 4. Nameščanje in nastavljanje varovala kolesa

Varovalo kolesa je zaščitna naprava, ki onemogoča poškodbe, če se med delovanjem pritisnjeno srednje kolo razbije. Pred izvajanjem brušenja zagotovite, da je varovalo primerno nameščeno in pritrjeno.

Če nastavljanji vijak rahlo odvijete lahko varovalo kolesa obrnete in ga postavite na zelen kot za maksimalno delovno učinkovitost. Po prilagajanju varovala kolesa se prepričajte, da je nastavljalni vijak dovolj pritrjen.

### 5. Prepričajte se, da so nameščena kolesa in točke pritrjene v skladu z navodili proizvajalca.

Prepričajte se, da je pritisnjeno srednje kolo, ki ga boste uporabljali, pravi tipa in nima razpok ali

poškodb na površini. Prav tako se prepričajte, da je pritisnjeno srednje kolo primerno montirano in matica kolesa varno zatesnjena. Glej razdelek v poglavju "MONTAŽA IN DEMONTAŽA PRITISNJENEGA SREDNJEGA KOLESKA"

Zagotovite, da se uporabljajo pivniki, ko so le-ti priloženi vezanemu brusilnemu izdelku in ko jih potrebujete. Ne uporabljajte ločenih ležajnih blazin ali adapterjev za predelavo brusilnih koles z veliko luknjo.

Za orodja na katera bodo nameščena kolesa z navojnimi luknjami se prepričajte, da je navoj v kolesu dovolj dolg, da sprejme dolžino gredi.

Kolesa za rezanje ne uporabljajte za kotno brušenje.

### 6. Izvajanje poskusnega zagona

Pred uporabo orodja se prepričajte se, da so brusilni izdelki pravilno nameščeni in zatesnjeni. Orodje v varnem položaju zažene brez bremena za 30 sekund. Takoj ga zaustavite, če občutite močne vibracije ali opazite druge poškodbe.

Če se to zgodi preverite stroj, da določite vzrok.

### 7. Preverite tipko

Preverite ali se tipka ni zaskočila tako, da jo dvakrat ali trikrat pritisnete, še preden vključite električno orodje (glej **Skico 2**).

### 8. Nameščanje stranske ročice

Zavijte stransko ročico na pokrov pogona.

## PRAKTIČNA UPORABA BRUSILNIKA

### 1. Pritisk

Da bi podaljšali življenjsko dobo stroja in zagotovili izreden zaključek je pomembno, da stroja ne preobremenite s premočnim pritiskom. V večini primerov uporabe je sama teža stroja zadostna za učinkovito brušenje. Preverik pritisk zmanjša hitrost rotacije, poslabša zaključek površine in preobremeni stroj, kar lahko skrajša njegovo življenjsko dobo.

### 2. Kot brušenja

Ne pritiskajte celotne površine pritisnjene srednjega kolesa na material, ki ga brusite. Kot je prikazano na **Skici 1** je treba stroj držati pod kotom 15° - 30°, tako da zunanji rob pritisnjene srednjega kolesa pride v stik z materialom pod optimalnim kotom.

- Da bi preprečili, da se novo pritisnjeno srednje kolo zarine v delovni predmet, izvedite začetno brušenje tako, da vlečete brusilnik preko delovnega predmeta proti uporabniku (**Skica 1, smer B**). Enkrat ko je vodilni rob pritisnjena srednjega kolesa primerno nabrušen, lahko brusite v poljubni smeri.
- Varnostni ukrepi takoj po zaključku dela**  
Ko orodje izključite se kolo še vedno obrača. Ko ste stroj izključiti ga ne odložite, dokler se pritisnjeno srednje kolo ni popolnoma ustavilo. Poleg tega, da se izognete resnim nesrečam boste s tem varnostnim ukrepom zmanjšali količino prahu in odkruškov, ki se vsesajo v stroj.

#### **OPOZORILA**

- Preverite ali je delovni predmet primerno podprt.
- Zagotovite, da so prezračevalne odprtine čiste, ko delate v prašnih pogojih.  
Če je potrebno očistiti prah, najprej izključite orodje iz vira napetosti (uporabite nekovinske predmete) in se izognite poškodbam notranjih delov.
- Prepričajte se, da iskre, ki nastajajo pri uporabi ne ustvarijo nevarnosti npr. zadenejo osebe ali zažgejo vnetljive substance.
- Zmeraj uporabljajte zaščito za oči in ušesa.  
Ostalo osebno zaščitno opremo kot so maske za prah, rokavice, čelada in predpasnik uporabljajte po potrebi.  
Če dvomite, uporabite zaščitno opremo.
- Ko stroja ne uporabljajte morate izključiti vir napetosti.

## **MONTAŽA IN DEMONTAŽA PRITISNJENEGA SREDNJEGA KOLESKA (Skica 2)**

**POZOR** Prepričajte se, da izključite napetost (OFF/IZKLOP) in izvlečete vtičnik iz vtičnice, da se izognete resnim težavam.

#### **1. Montaža (Skica 2)**

- Obrnite kotni brusilnik na glavo tako, da gred gleda navzgor.
- Poravnajte vodoravne ploskve blažilca kolesa z zarezanim delom gredi in ju spojite.
- Namestite izboklino pritisnjena srednjega kolesa na blažilec kolesa.
- Zavijte matico kolesa na gred.
- Medtem ko z eno roko pritiskate tipko, zaklenite gred tako, da z drugo roko počasi obračate pritisnjeno srednje kolo.  
Matico kolesa zavijte s pomočjo priloženega ključa, kot je prikazano na **Skici 2**.

#### **2. Demontaža**

Sledite zgornjemu postopku v obratnem vrstnem redu.

#### **OPOZORILA**

- Prepričajte se, da je pritisnjeno srednje kolo trdno montirano.
- Preverite ali se tipka ni zaskočila tako, da jo dvakrat ali trikrat pritisnete, še preden vključite električno orodje.

## **VZDRŽEVANJE IN PREGLEDI**

#### **1. Pregled pritisnjena srednjega kolesa**

Zagotovite, da je pritisnjeno srednje kolo brez razpok in poškodb na površini.

#### **2. Pregled montažnih vijakov**

Redno preverjajte vse montažne vijake in se prepričajte, da so primerno zaviti. Če se katerikoli vijak odvijte, ga takoj zavijte. Če tega ne naredite lahko pride do resnih nesreč.

#### **3. Pregled ogljikovih krtač (Skica 3)**

Motor uporablja ogljikove krtače, ki so potrošni material. Ker lahko resno obrabljene ogljikove ščetke povzročijo težave z motorjem morate obrabljene ogljikove ščetke ali tiste, ki se približujejo "meji obrabe" zamenjati z novimi ogljikovimi ščetkami z isto št., ki je prikazana na skici. Poleg tega naj bodo ogljikove ščetke čiste in prepričajte se, da se prosto gibljejo znotraj svojih nosilcev.

#### **4. Zamenjava ogljikovih ščetk**

Pokrove ščetk razstavite s ploskim izvijačem. Ogljikove ščetke lahko nato enostavno odstranite.

#### **5. Vzdrževanje motorja**

Navitje enote motorja je "srce" električnega orodja. Bodite zelo pazljivi, da navitja ne poškodujete in/ali zmocnite z oljem ali vodo.

#### **6. Seznam servisnih delov**

##### **POZOR:**

Popravila, spremembe in pregled Hitachi električnega orodja mora izvajati pooblaščen servisni center Hitachi. Zlasti lasersko napravo mora vzdrževati pooblaščen agent proizvajalca laserja.

Popravilo laserske naprave zmeraj določite pooblaščenemu servisnemu centru Hitachi.

Pri zahtevi za popravilo ali vzdrževanje bo v veliko pomoč, če pooblaščenemu servisnemu centru Hitachi skupaj z orodjem izročite tudi ta seznam delov.

Pri uporabi in vzdrževanju električnih orodjih je treba upoštevati varnostne uredbe in standarde, ki so določene za vsako državo.

#### **SPREMEMBE:**

Hitach električna orodja se nenehno izboljšujejo in spreminjajo, da bi vključevala najnovejše tehnološke napredke.

Torej se lahko nekateri deli spremenijo brez vnaprejšnjega obvestila.

## **GARANCIJA**

Garantiramo za Hitachi električna orodja v skladu z ustavno/državno veljavnimi uredbami. Garancija ne pokriva napak ali poškodb, ki nastanejo zaradi nepravilne uporabe, zlorabe ali normalne obrabe. V primeru pritožbe pošljite nerazstavljeno električno orodje skupaj z GARANCIJSKIM CERTIFIKATOM, ki ga najdete na koncu teh navodil za uporabo, na pooblaščen servisni center Hitachi.

#### **OPOMBA:**

Zaradi HITACHIJEVEGA nenehnega programa raziskav in razvoja se specifikacije lahko spremenijo brez vnaprejšnjega obvestila.

---

**Informacije o hrupu in vibracijah**

Izmerjene vrednosti so bile določene glede na EN 60745 in navedeno v skladu z ISO 4871.

Tipičen A-obremenjen nivo moči zvoka: 98 dB (A)

Tipičen A-obremenjen nivo zvočnega pritiska: 87 dB (A)

Spremenljivost KpA: 3 dB (A)

Uporabljajte zaščito za ušesa.

Skupna vrednost vibracij (vsota vektorja triax) je v skladu s standardom EN60745.

Površinsko brušenje:

Emisija vibracije **a<sub>h</sub>**, **AG** = 6,3 m/s<sup>2</sup>

Negotovost K = 1,5 m/s<sup>2</sup>

---

**OPOZORILO**

- Emisija vibracij med dejansko uporabo električnega orodja se lahko razlikuje od navedene vrednosti - odvisno od načina uporabe orodja.
- Za identifikacijo varnostnih ukrepov za zaščito uporabnika, ki temeljijo na oceni izpostavljanja v dejanskih pogojih uporabe (pri upoštevanju vseh delov obratovalnega ciklusa, kot so obdobja, ko je orodje izključeno, in ko orodje teče v prostem teku, poleg časa sproženja).

## ОБЩИЕ ПРАВИЛА БЕЗОПАСНОСТИ ПРИ РАБОТЕ С ЭЛЕКТРОИНСТРУМЕНТОМ

### ⚠ ПРЕДУПРЕЖДЕНИЕ

Прочтите все правила безопасности и инструкции. Не выполнение правил и инструкций может привести к поражению электрическим током, пожару и/или серьезной травме.

Сохраняйте все правила и инструкции на будущее. Термин "электроинструмент" в контексте всех мер предосторожности относится к эксплуатируемому Вами электроинструменту с питанием от сетевой розетки (с сетевым шнуром) или электроинструменту с питанием от аккумуляторной батареи (беспроводному).

#### 1) Безопасность на рабочем месте

- a) Поддерживайте чистоту и хорошее освещение на рабочем месте.  
*Беспорядок и плохое освещение приводят к несчастным случаям.*
- b) Не используйте электроинструменты во взрывоопасных окружающих условиях, например, в непосредственной близости огнеопасных жидкостей, горячих газов или легковоспламеняющейся пыли.  
*Электроинструменты порождают искры, которые могут воспалить пыль или испарения.*
- c) Держите детей и наблюдающих на безопасном расстоянии во время эксплуатации электроинструмента.  
*Отвлечение внимания может стать для Вас причиной потери управления.*

#### 2) Электробезопасность

- a) Сетевые вилки электроинструментов должны соответствовать сетевой розетке. Никогда не модифицируйте штепсельную вилку никоим образом.  
*Не используйте никакие адаптерные переходники с заземленными (замкнутыми на землю) электроинструментами.*  
*Немодифицированные штепсельные вилки и соответствующие им сетевые розетки уменьшат опасность поражения электрическим током.*
- b) Не прикасайтесь телом к заземленным поверхностям, например, к трубопроводам, радиаторам, кухонным плитам и холодильникам.  
*Если Ваше тело соприкоснется с заземленными поверхностями, возрастет опасность поражения электрическим током.*
- c) Не подвергайте электроинструменты действию воды или влаги.  
*При попадании воды в электроинструмент возрастет опасность поражения электрическим током.*
- d) Правильно обращайтесь со шнуром. Никогда не переносите электроинструмент, взявшись за шнур, не тяните за шнур и не дергайте за шнур с целью отсоединения электроинструмента от сетевой розетки.  
*Располагайте шнур подальше от источников тепла, нефтепродуктов, предметов с острыми кромками и движущихся деталей.*

*Поврежденные или запутанные шнуры увеличивают опасность поражения электрическим током.*

- e) При эксплуатации электроинструмента вне помещений, используйте удлинительный шнур, предназначенный для использования вне помещения.  
*Использование шнура, предназначенного для работы вне помещений, уменьшит опасность поражения электрическим током.*
  - f) При эксплуатации электроинструмента во влажной среде, используйте устройство защитного отключения (RCD) источника питания.  
*Использование RCD уменьшит опасность поражения электрическим током.*
- #### 3) Личная безопасность
- a) Будьте готовы к неожиданным ситуациям, внимательно следите за своими действиями и руководствуйтесь здравым смыслом при эксплуатации электроинструмента.  
*Не используйте электроинструмент, когда Вы устали или находитесь под влиянием наркотиков, алкоголя или лекарственных препаратов.*  
*Мгновенная потеря внимания вовремя эксплуатации электроинструментов может привести к серьезной травме.*
  - b) Используйте индивидуальные средства защиты. Всегда надевайте средства защиты глаз.  
*Защитное снаряжение, например, противопылевой респиратор, защитная обувь с нескользкой подошвой, защитный шлем-каска или средства защиты органов слуха, используемые для соответствующих условий, уменьшат травмы.*
  - c) Избегайте непреднамеренного включения двигателя. Убедитесь в том, что выключатель находится в положении выключения перед подниманием, переноской или подсоединением к сетевой розетке и/или портативному батарейному источнику питания.  
*Переноска электроинструментов, когда Вы палец держите на выключателе, или подсоединение электроинструментов к сетевой розетке, когда выключатель будет находиться в положении включения, приводит к несчастным случаям.*
  - d) Снимите все регулировочные или гаечные ключи перед включением электроинструмента.  
*Гаечный или регулировочный ключ, оставленный прикрепленным к вращающейся детали электроинструмента, может привести к получению травмы.*
  - e) Не теряйте устойчивость. Все время имейте точку опоры и сохраняйте равновесие.  
*Это поможет лучше управлять электроинструментом в непредвиденных ситуациях.*
  - f) Одевайтесь надлежащим образом. Не надевайте просторную одежду или ювелирные изделия. Держите волосы, одежду и перчатки как можно дальше от движущихся частей.

Просторная одежда, ювелирные изделия или длинные волосы могут попасть в движущиеся части.

- г) Если предусмотрены устройства для присоединения приспособлений для отвода и сбора пыли, убедитесь в том, что они присоединены и используются надлежащим образом.

*Использование данных устройств может уменьшить опасности, связанные с пылью.*

#### 4) Эксплуатация и обслуживание электроинструментов

- а) Не перегружайте электроинструмент. Используйте надлежащий для Вашего применения электроинструмент.

*Надлежащий электроинструмент будет выполнять работу лучше и надежнее в том режиме работы, на который он рассчитан.*

- б) Не используйте электроинструмент с неисправным выключателем, если с его помощью нельзя будет включить и выключить инструмент.

*Каждый электроинструмент, которым нельзя управлять с помощью выключателя, будет представлять опасность, и его будет необходимо отремонтировать.*

- в) Отсоедините штепсельную вилку от источника питания и/или портативный батарейный источник питания от электроинструмента перед началом выполнения какой-либо из регулировок, перед сменой принадлежностей или хранением электроинструментов.

*Такие профилактические меры безопасности уменьшат опасность непреднамеренного включения двигателя электроинструмента.*

- г) Храните неиспользуемые электроинструменты в недоступном для детей месте, и не разрешайте людям, не знающим как обращаться с электроинструментом или не изучившим данное руководство, работать с электроинструментом.

*Электроинструменты представляют опасность в руках неподготовленных пользователей.*

- д) Содержите электроинструменты в исправности. Проверьте, нет ли несоосности или заедания движущихся частей, повреждения деталей или какого-либо другого обстоятельства, которое может повлиять на функционирование электроинструментов.

*При наличии повреждения отремонтируйте электроинструмент перед его эксплуатацией. Большое количество несчастных случаев связано с плохим обслуживанием электроинструментов.*

- е) Содержите режущие инструменты остро заточенными и чистыми.

*Надлежащим образом содержащиеся в исправности режущие инструменты с острыми режущими кромками будут меньше заедать и будут легче в управлении.*

- ж) Используйте электроинструмент, принадлежности, насадки и т.п. в соответствии с данным руководством, принимая во внимание условия и объем выполняемой работы.

*Использование электроинструмента для выполнения работ не по прямому назначению может привести к опасной ситуации.*

#### 5) Обслуживание

- а) Обслуживание Вашего электроинструмента должно выполняться квалифицированным представителем ремонтной службы с использованием только идентичных запасных частей.

*Это обеспечит сохранность и безопасность электроинструмента.*

#### МЕРА ПРЕДОСТОРОЖНОСТИ

Держите подальше от детей и немощных людей. Если инструменты не используются, их следует хранить в недоступном для детей и немощных людей месте.

#### ОБЩИЕ ПРЕДУПРЕЖДЕНИЯ ОБ ОСТОРОЖНОСТИ ДЛЯ ПРОВЕДЕНИЯ ШЛИФОВАЛЬНЫХ РАБОТ ИЛИ ОТРЕЗАНИЯ

- а) Этот электроприбор предназначен для шлифовальных работ или отрезания. Прочтите все предупреждения об осторожности, инструкции, иллюстрации и спецификации, которые представлены в комплекте с этим электроприбором.

*Несоблюдение всех инструкций, перечисленных ниже, может привести к поражению электрическим током, пожару и/или серьезной травме.*

- б) Этим электроприбором не рекомендуются производить такие работы как обработка пескоструйкой, очистка проволочной щеткой или полировка.

*Работы, для которых этот электроприбор не предназначен, могут создать опасную ситуацию и привести к несчастному случаю.*

- в) Не используйте принадлежности, которые не предназначены конкретно для заданной цели или, которые не рекомендуются производителем прибора.

*Если принадлежность можно установить на ваш электроприбор, то это ещё не значит, что она обеспечит безопасную работу.*

- г) Номинальная скорость принадлежности должна быть, по крайней мере, равной максимальной скорости указанной на электроприборе.

*Принадлежности, используемые в работе привысшей скорости, чем их номинальная скорость, могут сломаться и развалиться на части.*

- д) Внешний диаметр и толщина вашей принадлежности должны быть в пределах проектной мощности вашего электроприбора. Неверно подобранные по размеру принадлежности не могут быть защищены или контролируемые соответствующим образом.

- е) Размер отверстия кругов, фланцев, прижимных подкладок или любой другой принадлежности должен полностью соответствовать шпинделю электроприбора. Принадлежности, размер отверстия которых не совпадает с устанавливаемым изделием

электроприбора, разбалансировавшись, будет сильно вибрировать и может стать причиной потери контроля над ним.

- g) Не используйте поврежденную принадлежность. Перед каждым использованием, проверяйте принадлежность: шлифовальные круги на наличие отбитых кусков и трещин, прижимные подкладки на наличие трещин, разрывов или изношенности, проволочные щётки на выпадение или поломку проводки. В случае падения электроприбора или принадлежности, проверьте на наличие повреждения или установите неповрежденную принадлежность. После проверки и установки принадлежности, направьте вращающуюся принадлежность в сторону от себя и стоящих вблизи вас и включите электроприбор на максимальную скорость без нагрузки на одну минуту.

Во время такой проверки, поврежденные принадлежности обычно разбиваются.

- h) Наденьте средства индивидуальной защиты. В зависимости от вида работы, используйте щиток-маску, защитные очки, предохранительные очки. При необходимости, наденьте респиратор, средства защиты слуха, перчатки и рабочий фартук, защищающий от попадания фрагментов или деталей материала. Средства защиты глаз должны защищать глаза от попадания летящих обзоров, которые возникают при выполнении различных видов работ. Лицевая маска или респиратор должны отфильтровывать частицы пыли, которые образуются во время работы. Длительное влияние сильного шума может вызвать потерю слуха.

- i) Наблюдатели должны находиться на безопасном расстоянии от рабочего места. Любой, кто заходит на территорию рабочего места, должен надеть средства индивидуальной защиты.

Фрагменты материала или сломанной принадлежности могут отлететь и нанести травму в непосредственной близости от рабочего места.

- j) Во время работы, держите электроприбор только за изолированные поверхности, если существует риск, что режущие принадлежности могут соприкоснуться со скрытым проводом или проводом самого электроприбора. Если режущие принадлежности соприкоснутся с «живым» проводом, тогда ток пройдет через «незащищенные» металлические части электроприбора и ударит работника.

- k) Расположите провод подальше от вращающихся принадлежностей.

В случае потери вами контроля, электропровод может быть перерезан или ободран, а ваша рука может попасть во вращающуюся принадлежность.

- l) Никогда не кладите электроприбор до тех пор, пока принадлежность остановится полностью.

Вращающаяся принадлежность может зацепиться за поверхность и оттолкнуть электроприбор от вас.

- m) Не включайте электроприбор, если вы держите его близко к себе.

При случайном соприкосновении с вращающейся принадлежностью, она может зацепиться за вашу одежду и притянуть прибор к вашему телу.

- n) Регулярно прочищайте выпускные воздушные отверстия электроприбора.

Вентилятор мотора всасывает пыль в корпус, а чрезмерное накопление металлической пыли может вызвать опасность поражения электрическим током.

- o) Не включайте электроприбор вблизи легковоспламеняющихся материалов.

Искры могут воспламенить эти материалы.

- p) Не используйте принадлежность, которые необходимо охлаждать при помощи жидкого охладителя.

Использование воды или другой охлаждающей жидкости может привести к электрооглушению или поражению электрическим током.

## ОТДАЧА И ДРУГИЕ ПОХОЖИЕ ПРЕДУПРЕЖДЕНИЯ

Отдача - это внезапная реакция на защемление или остановку вращающего круга, опорной прокладки, щётки или иного другого приспособления. Защемление или остановка вызывают резкое глушение вращающегося приспособления, которое в свою очередь приводит к тому, что неконтролируемый электроинструмент с силой отшвыривает в сторону, противоположную вращению приспособления в точке зажима.

К примеру, если изделие защемило или остановило шлифовальный круг, то край круга, который входит в зону защемления может врезаться в поверхность данного материала, что приведёт к тому, что круг выбросит вверх или вышвырнет. Круг может либо подпрыгнуть по направлению к оператору либо в сторону от него, в зависимости от направления движения круга в точке защемления. Шлифовальные круги также могут сломаться при таких условиях.

Отдача - это результат неправильного использования электроинструмента и/или несоблюдения техники эксплуатации или рабочего режима, который можно избежать, соблюдая соответствующие меры предосторожности, представленные ниже.

- a) Крепко держите электроинструмент и займите такое положение, при котором ваше тело и рука смогут оказать сопротивление силе отдачи. Всегда пользуйтесь вспомогательной ручкой, если таковая имеется, для максимального контроля над отдачей или реакцией от крутящего момента во время запуска.

Оператор может контролировать реакции от крутящего момента или силу отдачи, если предпринять соответствующие меры предосторожности.

- b) Никогда не держите руку вблизи вращающегося приспособления.

Это приспособление может быть отброшено на вашу руку.

- c) Не стойте в зоне, куда, в случае отдачи, может отбросить электроинструмент.

Отдача может отбросить инструмент по направлению, противоположному вращению круга в точке остановки.

- d) Будьте особо внимательны при работе с углами, острыми краями и т. д.. Избегайте тряски и остановки приспособления.  
*Углы, острые края или тряска обычно могут привести к заземлению вращающегося приспособления и вызвать потерю контроля или отдачу.*
- e) Не одевайте пильную цепь для резбы по дереву или зубчатое режущее полотно.  
*Такие полотна часто приводят к отдаче и потере контроля.*

## ОСОБЫЕ МЕРЫ ПРЕДОСТОРОЖНОСТИ ДЛЯ РЕЖУЩИХ РАБОТ И АБРАЗИВНОЙ ОТРЕЗКИ

- a) Используйте только тот вид кругов, который рекомендован для вашего электроинструмента, а также специфическое защитное приспособление, спроектированное для выбранного круга.  
*Круги, которые не соответствуют данному электроинструменту, не могут быть защищены соответствующим образом, и они небезопасны.*
- b) Защитное приспособление должно быть надёжно прикреплено к электроинструменту и установлено таким образом, чтобы достичь максимальной безопасности, с тем, чтобы наименьшая часть круга была обращена к оператору.  
*Защитное приспособление помогает защитить оператора от фрагментов сломанного круга и случайного соприкосновения с кругом.*
- c) Круги должны использоваться только согласно рекомендованным работам. К примеру: не шлифуйте стороной отрезного круга.  
*Абразивные отрезные круги предназначены для периферийного шлифования, боковые силы, прилагаемые к этим кругам, могут вызвать их разрушение.*
- d) Всегда пользуйтесь неповреждёнными фланцами крепления круга соответствующего размера и формы для выбранного вами круга.  
*Соответствующие фланцы кругов поддерживают круг и таким образом уменьшают вероятность поломки круга. Фланцы для отрезных кругов могут отличаться от фланцев шлифовальных кругов.*
- e) Не используйте использованные круги с больших электроинструментов.  
*Круг, предназначенный для большего электроинструмента, не подходит для больших скоростей меньшего инструмента и может сломаться.*

## ДОПОЛНИТЕЛЬНЫЕ ОСОБЫЕ МЕРЫ ПРЕДОСТОРОЖНОСТИ ДЛЯ АБРАЗИВНОЙ ОТРЕЗКИ

- a) Не "заклинивайте" отрезной круг и не давите на него слишком сильно. Не пытайтесь сделать слишком глубокий надрез.  
*Чрезмерное напряжение на круг увеличивает нагрузку и подверженность к перекручиванию или блокировке круга в надрезе и к вероятности отдачи или поломке круга.*

- b) Не занимайте позицию на линии или позади вращающегося круга.  
*Когда круг во время работы сдвигается в сторону от вашего тела, тогда вероятная отдача может выбросить вращающийся круг и электроинструмент прямо на вас.*
- c) Когда круг застрял или когда резка прерывается по какой-либо причине, выключите электроинструмент и держите его неподвижно, пока круг полностью остановится. Никогда не пытайтесь вынуть отрезной круг из надреза в то время, когда круг находится в движении, иначе может произойти отскок.  
*Установите причину застревания круга и устраните её.*
- d) Не продолжайте резку, если круг инструмента находится внутри обрабатываемой детали. Сначала круг должен набрать полную скорость и тогда его можно осторожно повторно ввести в надрез.  
*Круг может застрять, вырваться или отскочить, если электроинструмент повторно запускается, когда круг находится в обрабатываемой детали.*
- e) Панель крепления или негабаритная обрабатываемая деталь с целью минимизации риска заземления кругом и отдачи назад.  
*Большие детали имеют склонность к провисанию под собственным весом. Поэтому под такими деталями возле линии среза и возле краев детали с обеих сторон круга необходимо установить опоры.*
- f) Будьте предельно осторожны, проделывая "карманный надрез" в существующей стене или отступке.  
*Выступающий круг может прорезать газовую или водяную трубу, электрический провод или предметы, которые могут быть причиной отдачи назад.*

## ОБЩИЕ ИНСТРУКЦИИ ПО ТЕХНИКЕ БЕЗОПАСНОСТИ ДЛЯ ШЛИФОВАЛЬНЫХ МАШИН

- Убедитесь в том, что скорость, указанная на шлифовальном круге, больше или равна номинальной скорости шлифовальной машины;
- Убедитесь в том, что размеры шлифовального круга совместимы со шлифовальной машиной;
- Абразивные шлифовальные круги требуют бережного хранения и обращения в соответствии с инструкциями предприятия-изготовителя;
- Осмотрите шлифовальный круг перед использованием, не используйте шершавые, треснувшие или имеющие другие дефекты круги;
- Убедитесь в том, что установленные шлифовальные круги и режущие кромки закреплены в соответствии с инструкциями предприятия-изготовителя;
- Убедитесь в том, что прокладки из промокательной бумаги используются там, где они предусмотрены для армированного абразивного изделия и где требуется их применение;
- Перед использованием убедитесь в том, что абразивные изделия правильно установлены и затянуты, и опробуйте инструмент без нагрузки в течение 30 секунд в безопасном положении,

- немедленно выключите его при появлении большой вибрации или при обнаружении других неисправностей. Если такое состояние будет иметь место, проверьте машину для определения причины неисправности;
- Если инструмент оборудован защитным приспособлением, никогда не используйте инструмент без этого защитного приспособления;
- Не используйте отдельные переходные втулки или насадки для того, чтобы приспособить абразивные шлифовальные круги с отверстиями большего диаметра;
- Что касается инструментов, предназначенных для установки при помощи резьбового отверстия шлифовального круга, убедитесь в том, что резьба в круге имеет достаточную длину, чтобы соответствовать длине шпинделя;
- Проверьте и убедитесь в том, что обрабатываемое изделие поддерживается надлежащим образом;
- Не используйте отрезные круги для бокового шлифования;
- Убедитесь в том, что искры, образующиеся в процессе работы, не являются источником опасности, например, не попадают на людей или не воспламеняют огнеопасные вещества;
- Убедитесь в том, что вентиляционные отверстия очищены при работе в запыленных условиях, если возникнет необходимость очистите инструмент от пыли, прежде всего, отсоедините его от сети питания (используйте неметаллические предметы) и постарайтесь не повредить внутренние части;
- Всегда используйте средства защиты глаз и органов слуха. Также следует надевать другие индивидуальные средства защиты, например, противопылевой респиратор, перчатки, защитный шлем и фартук;
- Обратите внимание на то, что шлифовальный круг продолжает вращаться после выключения инструмента.

## ТЕХНИЧЕСКИЕ ХАРАКТЕРИСТИКИ

Модель		G10SS	G12SS	G13SS
Напряжение (по регионам)*		(110В, 120В, 220В, 230В, 240В) ~		
Потребляемая мощность*		580 Вт		
Число оборотов холостого хода		11000 мин <sup>-1</sup>		10000 мин <sup>-1</sup>
Шлифовальный круг	Наружный диаметр × диаметр отверстия	100 × 16 мм	115 × 22 мм	125 × 22 мм
	Окружная скорость	72 м/с	80 м/с	
Вес (Только основной корпус)		1,4 кг		

\*Проверьте паспортную табличку на изделии, так как она меняется в зависимости от региона

## СТАНДАРТНЫЕ АКСЕССУАРЫ

- (1) Гаечный ключ ..... 1
  - (2) Боковая рукоятка ..... 1
- Набор стандартных аксессуаров может быть без предупреждения изменён.

## ОБЛАСТЬ ПРИМЕНЕНИЯ

- Удаление облоя на отливках, чистовая обработка различных видов изделий и отливок из стали, бронзы и алюминия.
- Шлифование сварных сечений или сечений, полученных резкой при помощи газового резака.

## ПОДГОТОВКА К ЭКСПЛУАТАЦИИ

### 1. Источник электропитания

Проследите за тем, чтобы используемый источник электропитания соответствовал требованиям к источнику электропитания, указанным на типовой табличке изделия.

### 2. Переключатель "Вкл./ Выкл."

Убедитесь в том, что переключатель находится в положении "Выкл.". Если вы вставляете штепсель в розетку, а переключатель находится в положении "Вкл.", инструмент немедленно заработает, что может стать причиной серьёзной травмы.

### 3. Удлинитель

Когда рабочая площадка удалена от источника электропитания, пользуйтесь удлинителем. Удлинитель должен иметь требуемую площадь поперечного сечения и обеспечивать работу инструмента заданной мощности. Разматывайте удлинитель только на реально необходимую для данного конкретного применения длину.

### 4. Установка и регулировка защитного приспособления шлифовального круга.

Защитное приспособление шлифовального круга является предохранительным устройством, для предотвращения получения травмы, которую можно получить во время работы обломком шлифовального круга с утопленным центром. Перед началом шлифования убедитесь в том, что защитное приспособление установлено и закреплено надлежащим образом.

Слегка ослабив затяжку установочного винта, защитное приспособление шлифовального круга можно повернуть и установить под нужным углом для достижения максимальной эффективности при эксплуатации. После регулировки положения защитного приспособления шлифовального круга обязательно убедитесь в том, что установочный винт надежно затянут.

### 5. Убедитесь в том, что установленные шлифовальные круги и режущие кройки закреплены в соответствии с инструкциями предприятия-изготовителя. Убедитесь в том, что используемый шлифовальный



круг с утопленным центром подходит по типу, и не имеет трещин и дефектов поверхности. Обязательно убедитесь также в том, что шлифовальный круг с утопленным центром установлен надлежащим образом и гайка крепления круга надежно затянута. Обратитесь к разделу "УСТАНОВКА И СНЯТИЕ ШЛИФОВАЛЬНОГО КРУГА С УТОПЛЕННЫМ ЦЕНТРОМ".

Убедитесь в том, что прокладки из промокательной бумаги используются там, где они предусмотрены для армированного абразивного изделия и где требуется их применение.

Не используйте отдельные переходные втулки или насадки для того, чтобы приспособить абразивные шлифовальные круги с отверстиями большего диаметра.

Что касается инструментов, предназначенных для установки при помощи резьбового отверстия шлифовального круга, убедитесь в том, что резьба в круге имеет достаточную длину, чтобы соответствовать длине шпинделя.

Не используйте отрезные круги для бокового шлифования.

#### 6. Проведение испытательного прогона

Перед использованием убедитесь в том, что абразивные изделия правильно установлены и затянуты, и опробуйте инструмент без нагрузки в течение 30 секунд в безопасном положении, немедленно выключите его при появлении большой вибрации или при обнаружении других неисправностей. Если такое состояние будет иметь место, проверьте машину для определения причины неисправности.

#### 7. Проверьте функционирование нажимной кнопки

Перед включением электрического инструмента проверьте нажимную кнопку и убедитесь в том, что нажимная кнопка освобождена, путем двух- или трехразового нажатия. (См. Рис. 2).

#### 8. Прикрепление боковой рукоятки

Ввинтите боковую рукоятку в крышку редуктора.

3. Для предотвращения врезания нового шлифовального круга с утопленным центром в обрабатываемое изделие, первоначальное шлифование новым кругом должно выполняться таким образом, чтобы движение шлифовальной машины было направлено поперек обрабатываемого изделия в сторону оператора (Рис. 1 направление В). Когда передняя кромка шлифовального круга с утопленным центром будет должным образом истерта, шлифование можно будет выполнять в любом направлении.

#### 4. Меры предосторожности непосредственно после окончания работы

Шлифовальный круг продолжает вращаться после выключения инструмента.

После выключения машины не кладите его до тех пор, пока шлифовальный круг с утопленным центром полностью не остановится. Не считая того, что эта мера предосторожности поможет избежать несчастного случая с тяжелыми последствиями, она уменьшит количество пыли и мелкой шлифовальной стружки, которая может засосаться внутрь машины.

#### ОСТОРОЖНО:

○ Проверьте и убедитесь в том, что обрабатываемое изделие поддерживается надлежащим образом.

○ Убедитесь в том, что вентиляционные отверстия очищены при работе в запыленных условиях.

Если возникнет необходимость очистить инструмент от пыли, прежде всего, отсоедините его от сети питания (используйте немагнитические предметы) и постарайтесь не повредить внутренние части.

○ Убедитесь в том, что искры, образующиеся в процессе работы, не являются источником опасности, например, не попадают на людей или не воспламеняют огнеопасные вещества.

○ Всегда используйте средства защиты глаз и органов слуха.

Другие индивидуальные средства защиты, например, противопылевой респиратор, перчатки, защитный шлем и фартур следует надевать при необходимости.

В сомнительной ситуации надевайте средства защиты.

○ Если машина не используется, она должно быть отключена от источника питания.

## ПРАКТИЧЕСКОЕ ПРИМЕНЕНИЕ ШЛИФОВАЛЬНОЙ МАШИНЫ

### 1. Нажатие

Для продления срока службы машины и обеспечения высококачественной чистовой обработки, важно избегать перегрузки, возникающей при слишком сильном нажатии на машину. В большинстве случаев применения, вес самой машины является достаточным для эффективного шлифования. Слишком сильное нажатие на машину может привести в результате к снижению скорости вращения, разрушению внутренней поверхности и перегрузке, которая может сократить срок службы машины.

### 2. Угол шлифования

Не прикладываете всю поверхность шлифовального круга с утопленным центром к обрабатываемому материалу. Как показано на Рис. 1, машина должна удерживаться под углом 15° – 30° таким образом, чтобы наружная кромка шлифовального круга с утопленным центром соприкасалась с материалом под оптимальным углом.

## УСТАНОВКА И СНЯТИЕ ШЛИФОВАЛЬНОГО КРУГА С УТОПЛЕННЫМ ЦЕНТРОМ (Рис. 2)

**ОСТОРОЖНО** Обязательно убедитесь в выключении машины и отсоединении патронной ответственной штепселя от сетевой розетки для предотвращения несчастного случая с тяжелыми последствиями.

### 1. Установка (Рис. 2)

(1) Поверните шлифовальную машину верхней стороной вниз таким образом, чтобы шпиндель был направлен вверх.

(2) Совместите параллельные грани шайбы шлифовального круга с профилированной частью шпинделя, затем прикрепите их.

(3) Установите выступ шлифовального круга с утопленным центром на шайбу шлифовального круга.

- (4) Завинтите гайку крепления шлифовального круга на шпindel.
- (5) В то время, когда нажимаете на нажимную кнопку одной рукой, зафиксируйте шпindel, медленно поворачивая шлифовальный круг с утопленным центром другой рукой.  
Затяните гайку крепления шлифовального круга при помощи прилагаемого гаечного ключа, как показано на **Рис. 2**.

## 2. Снятие

Выполните действия вышеописанной процедуры в обратном порядке.

## ОСТОРОЖНО

- Убедитесь в том, что шлифовальный круг с утопленным центром установлен плотно.
- Перед включением электрического инструмента проверьте нажимную кнопку и убедитесь в том, что нажимная кнопка освобождена, путем двух- или трехразового нажатия.

---

## ТЕХНИЧЕСКОЕ ОБСЛУЖИВАНИЕ И ПРОВЕРКА

---

### 1. Обследование шлифовального круга с утопленным центром

Убедитесь в том, что шлифовальный круг с утопленным центром не имеет трещин и дефектов поверхности.

### 2. Проверка установленных винтов.

Регулярно проверяйте все установленные на инструменте винты, следите за тем, чтобы они были как следует затянуты. Немедленно затяните винт, который окажется ослабленным. Невыполнение этого правила грозит серьезной опасностью.

### 3. Обследование угольных щеток (Рис. 3)

В двигателе используются угольные щетки, которые постепенно изнашиваются. Так как чрезмерно изношенная угольная щетка может повредить двигатель, заменяйте изношенные угольные щетки новыми, имеющими тот же номер, как и показанный на рисунке, или близкими к "пределу износа". Кроме того, всегда содержите угольные щетки в чистоте и обязательно следите за тем, чтобы они могли свободно скользить в щеткодержателях.

### 4. Замена угольных щеток

Снимите колпаки щеток при помощи отвертки с плоской головкой. После этого угольные щетки могут быть легко сняты.

### 5. Техническое обслуживание двигателя.

Обмотка двигателя - "сердце" электроинструмента. Проявляйте должное внимание, следя за тем, чтобы обмотка не была повреждена и/или залита маслом или водой.

### 6. Порядок записей по техобслуживанию ПРЕДОСТЕРЕЖЕНИЕ.

Ремонт, модификация и проверка электроинструментов HITACHI должна проводиться только в авторизованных сервисных центрах HITACHI. Данный список принесите в мастерскую вместе с инструментом для проведения ремонта или технического обслуживания.

При использовании или техобслуживании инструмента всегда следите за выполнением всех правил и норм безопасности.

## ЗАМЕЧАНИЕ

Фирма HITACHI непрерывно работает над усовершенствованием своих изделий, поэтому мы сохраняем за собой право на внесение изменений в технические характеристики, упомянутые в данной инструкции по эксплуатации, без предупреждения об этом.

---

## ГАРАНТИЯ

---

Мы гарантируем соответствие автоматических инструментов Hitachi нормативным/национальным положениям. Данная гарантия не распространяется на дефекты или ущерб, возникший вследствие неправильного использования или ненадлежащего обращения, а также нормального износа. В случае подачи жалобы отправляйте автоматический инструмент в неразобранном состоянии вместе с ГАРАНТИЙНЫМ СЕРТИФИКАТОМ, который находится в конце инструкции по обращению, в авторизованный центр обслуживания Hitachi.

---

## ПРИМЕЧАНИЕ

На основании постоянных программ исследования и развития, HITACHI оставляют за собой право на изменение указанных здесь технических данных без предварительного уведомления.

---

## Информация, касающаяся создаваемого шума и вибрации

Измеряемые величины были определены в соответствии с EN60745 и заявлены в соответствии с ISO 4871.

Измеренный средневзвешенный уровень звуковой мощности: 98 дБ(А)

Измеренный средневзвешенный уровень звукового давления: 87 дБ(А)

Погрешность Кра: 3 дБ (А)

Надевайте наушники.

Общие значения вибрации (сумма векторов триаксиального кабеля) определяются в соответствии с EN60745.

Шлифование поверхностей:

Величина вибрации **a<sub>h</sub>**, **AG** = 6,3 м/с<sup>2</sup>

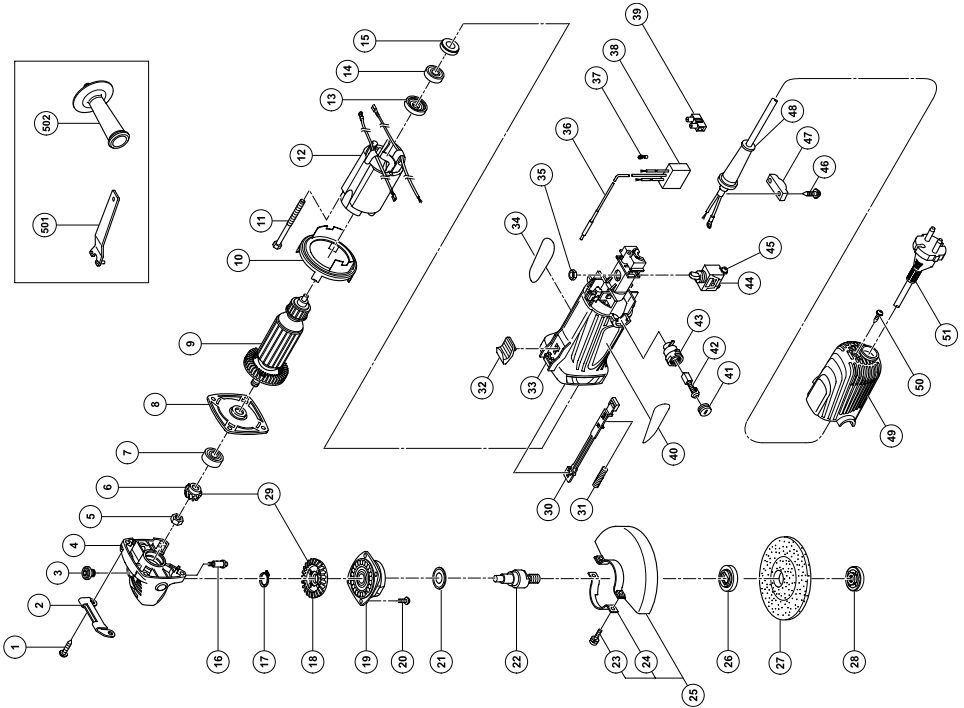
Погрешность **K** = 1,5 м/с<sup>2</sup>

---

## ПРЕДУПРЕЖДЕНИЕ

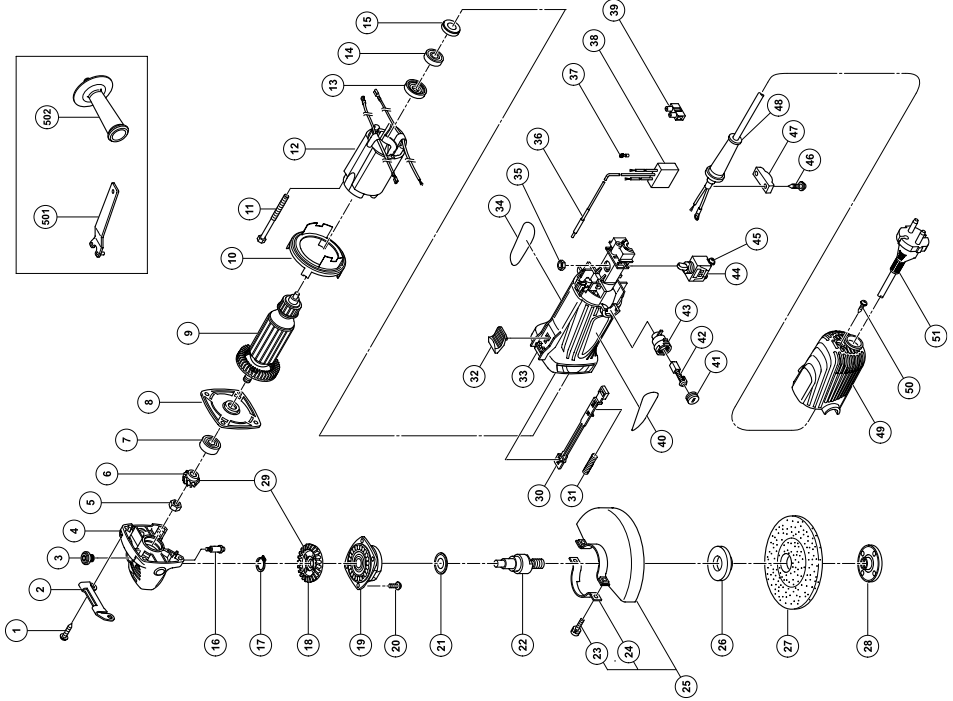
- Величина вибрации во время фактического использования инструмента может отличаться от указанного значения, в зависимости от способа использования инструмента.
- Определить меры предосторожности, чтобы защитить оператора, которые основаны на расчете воздействия при фактических условиях использования (принимая во внимание все периоды цикла эксплуатации кроме времени запуска, то есть когда инструмент выключен, работает на холостом ходу).

G10SS



Item No.	Part Name	Q'ty
45	MACHINE SCREW (W/WASHER) M3.5x6	2
46	TAPPING SCREW (W/FLANGE) D4x16	2
47	CORD CLIP	1
48	CORD ARMOR	1
49	TAIL COVER	1
50	TAPPING SCREW (W/FLANGE) D4x16	1
501	WRENCH	1
502	SIDE HANDLE	1

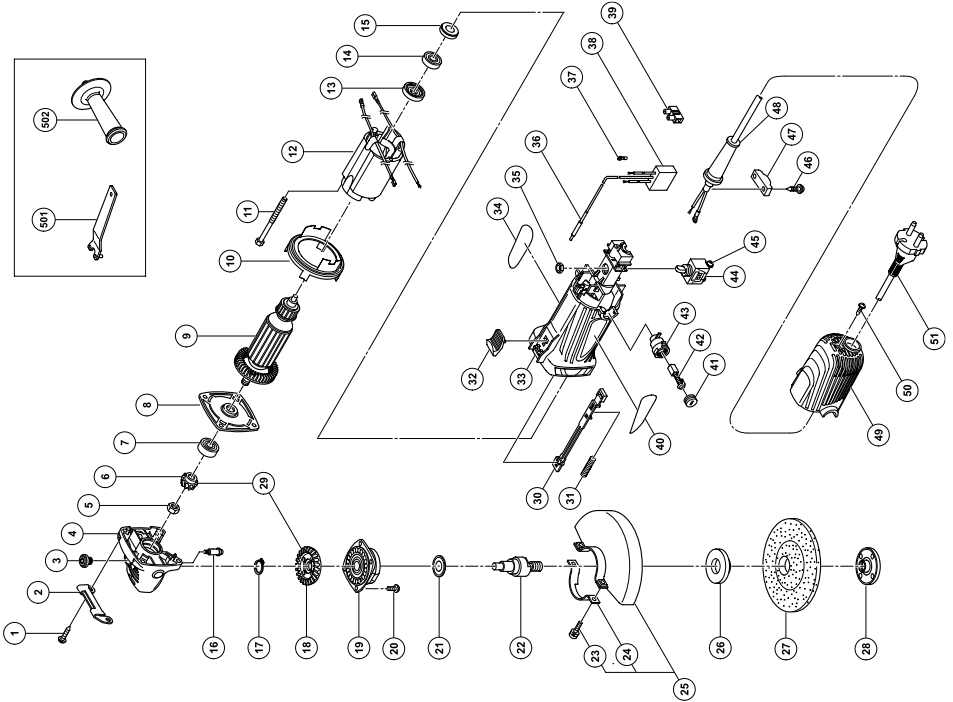
Item No.	Part Name	Q'ty
1	TAPPING SCREW D5x25	4
2	GUARD PLATE	1
3	PUSHING BUTTON	1
4	GEAR COVER ASSY. (INCLUD.3,16)	1
5	NUT M6	1
6	PINION	1
7	BALL BEARING 608VVC2PS2L	1
8	INNER COVER	1
9	ARMATURE	1
10	FAN GUIDE	1
11	HEX. HD. TAPPING SCREW D4x65	2
12	STATOR	1
13	DUST SEAL	1
14	BALL BEARING 626VVC2FS2L	1
15	RUBBER BUSHING	1
16	LOCK PIN	1
17	RETAINING RING FOR D11 SHAFT	1
18	GEAR	1
19	PACKING GLAND	1
20	MACHINE SCREW (W/WASHER) M4x12	4
21	WASHER (A)	1
22	SPINDLE M10X1.5	1
23	MACHINE SCREW (W/SP. WASHER) M5x16	2
24	SET PLATE	1
25	WHEEL GUARD ASSY. (INCLUD.23,24)	1
26	WHEEL WASHER	1
27	D. C. WHEELS 100MMX4T A36Q	1
28	WHEEL NUT (C)	1
29	GEAR AND PINION ASSY. (INCLUD.6,18)	1
30	SLIDE BAR	1
31	SPRING	1
32	SLIDE KNOB	1
33	HOUSING ASSY. (INCLUD.15)	1
34	NAME PLATE	1
35	NUT	1
36	EARTH TERMINAL	1
37	TERMINAL	1
38	NOISE SUPPRESSOR	1
39	PILLAR TERMINAL	1
40	HITACHI LABEL	1
41	BRUSH CAP	2
42	CARBON BRUSH	2
43	BRUSH HOLDER	2
44	SWITCH (INCLUD.35, 45)	1



Item No.	Part Name	Q'ty
48	CORD ARMOR	1
49	TAIL COVER	1
50	TAPPING SCREW (W/FLANGE) D4x16	1
51	CORD	1
501	WRENCH	1
502	SIDE HANDLE	1

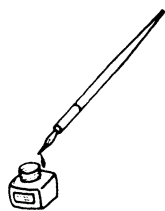
Item No.	Part Name	Q'ty
1	TAPPING SCREW D5x25	4
2	GUARD PLATE	1
3	PUSHING BUTTON	1
4	GEAR COVER ASSY (INCLUD.3,16)	1
5	NUT M6	1
6	PINION	1
7	BALL BEARING 608VVC2FS2L	1
8	INNER COVER	1
9	ARMATURE	1
10	FAN GUIDE	1
11	HEX. HD. TAPPING SCREW D4x85	2
12	STATOR	1
13	DUST SEAL	1
14	BALL BEARING 626VVC2FS2L	1
15	RUBBER BUSHING	1
16	LOCK PIN	1
17	RETAINING RING FOR D11 SHAFT	1
18	GEAR	1
19	PACKING GLAND	1
20	MACHINE SCREW (W/WASHER) M4x12	4
21	WASHER (A)	1
22	SPINDLE M14x2	1
23	MACHINE SCREW (W/SP. WASHER) M5x16	2
24	SET PLATE	1
25	WHEEL GUARD ASSY (INCLUD.23,24)	1
26	WHEEL WASHER	1
27	D. C. WHEELS 115MMX6T A36Q	1
28	WHEEL NUT (C)	1
29	GEAR AND PINION ASSY (INCLUD.6,18)	1
30	SLIDE BAR	1
31	SPRING	1
32	SLIDE KNOB	1
33	HOUSING ASSY (INCLUD.15)	1
34	NAME PLATE	1
35	NUT	1
36	EARTH TERMINAL	1
37	TERMINAL	1
38	NOISE SUPPRESSOR	1
39	PILLAR TERMINAL	1
40	HITACHI LABEL	1
41	BRUSH CAP	2
42	CARBON BRUSH	2
43	BRUSH HOLDER	2
44	SWITCH (INCLUD.35, 45)	1
45	MACHINE SCREW (W/WASHER) M3.5x6	2
46	TAPPING SCREW (W/FLANGE) D4x16	2
47	CORD CLIP	1

G13SS



Item No.	Part Name	Q'ty
48	CORD ARMOR	1
49	TAIL COVER	1
50	TAPPING SCREW (W/FLANGE) D4x16	1
51	CORD	1
501	WRENCH	1
502	SIDE HANDLE	1

Item No.	Part Name	Q'ty
1	TAPPING SCREW D5x25	4
2	GUARD PLATE	1
3	PUSHING BUTTON	1
4	GEAR COVER ASS'Y (INCLUD.3,16)	1
5	NUT M6	1
6	PINION	1
7	BALL BEARING 608VVC2PSZL	1
8	INNER COVER	1
9	ARMATURE	1
10	FAN GUIDE	1
11	HEX. HD. TAPPING SCREW D4x65	2
12	STATOR	1
13	DUST SEAL	1
14	BALL BEARING 626VVC2PSZL	1
15	RUBBER BUSHING	1
16	LOCK PIN	1
17	RETAINING RING FOR D11 SHAFT	1
18	GEAR	1
19	PACKING GLAND	1
20	MACHINE SCREW (W/WASHER) M4x12	4
21	WASHER (A)	1
22	SPINDLE M14x2	1
23	MACHINE SCREW (W/SP. WASHER) M5x16	2
24	SET PLATE	1
25	WHEEL GUARD ASSY (INCLUD.23,24)	1
26	WHEEL WASHER	1
27	D.C. WHEELS 125MMXG A36Q	1
28	WHEEL NUT (C)	1
29	GEAR AND PINION ASSY (INCLUD.6,18)	1
30	SLIDE BAR	1
31	SPRING	1
32	SLIDE KNOB	1
33	HOUSING ASS'Y (INCLUD.15)	1
34	NAME PLATE	1
35	NUT	1
36	EARTH TERMINAL	1
37	TERMINAL	1
38	NOISE SUPPRESSOR	1
39	PILLAR TERMINAL	1
40	HITACHI LABEL	1
41	BRUSH CAP	2
42	CARBON BRUSH	2
43	BRUSH HOLDER	2
44	SWITCH (INCLUD.35, 45)	1
45	MACHINE SCREW (W/WASHER) M3.5x6	2
46	TAPPING SCREW (W/FLANGE) D4x16	2
47	CORD CLIP	1



<p>English</p> <p align="center"><b><u>GUARANTEE CERTIFICATE</u></b></p> <p>① Model No.  ② Serial No.  ③ Date of Purchase  ④ Customer Name and Address  ⑤ Dealer Name and Address  (Please stamp dealer name and address)</p>	<p>Čeština</p> <p align="center"><b><u>ZÁRUČNÍ LIST</u></b></p> <p>① Model č.  ② Série č.  ③ Datum nákupu  ④ Jméno a adresa zákazníka  ⑤ Jméno a adresa prodejce  (Prosíme o razítko se jménem a adresou prodejce)</p>
<p>Deutsch</p> <p align="center"><b><u>GARANTIESCHEIN</u></b></p> <p>① Modell-Nr.  ② Serien-Nr.  ③ Kaufdatum  ④ Name und Anschrift des Kunden  ⑤ Name und Anschrift des Händlers  (Bitte mit Namen und Anschrift des Handlers abstempeln)</p>	<p>Türkçe</p> <p align="center"><b><u>GARANTİ SERTİFİKASI</u></b></p> <p>① Model No.  ② Seri No.  ③ Satın Alma Tarihi  ④ Müşteri Adı ve Adresi  ⑤ Bayi Adı ve Adresi  (Lütfen bayi adını ve adresini kaşe olarak basın)</p>
<p>Ελληνικά</p> <p align="center"><b><u>ΠΙΣΤΟΠΟΙΗΤΙΚΟ ΕΓΓΥΗΣΗΣ</u></b></p> <p>① Αρ. Μοντέλου  ② Αύξων Αρ.  ③ Ημερομηνία αγοράς  ④ Όνομα και διεύθυνση πελάτη  ⑤ Όνομα και διεύθυνση μεταπωλητή  (Παρακαλούμε να χρησιμοποιηθεί σφραγίδα)</p>	<p>Română</p> <p align="center"><b><u>CERTIFICAT DE GARANȚIE</u></b></p> <p>① Model nr.  ② Nr. de serie  ③ Data cumpărării  ④ Numele și adresa clientului  ⑤ Numele și adresa distribuitorului  (Vă rugăm aplicați ștampila cu numele și adresa distribuitorului)</p>
<p>Polski</p> <p align="center"><b><u>GWARANCJA</u></b></p> <p>① Model  ② Numer seryjny  ③ Data zakupu  ④ Nazwa klienta i adres  ⑤ Nazwa dealera i adres  (Pieczeć punktu sprzedaży)</p>	<p>Slovenščina</p> <p align="center"><b><u>GARANCIJSKO POTRDILO</u></b></p> <p>① Št. modela  ② Serijska št.  ③ Datum nakupa  ④ Ime in naslov kupca  ⑤ Ime in naslov prodajalca  (Prosimo vtisnite žig z imenom in naslovom prodajalca)</p>
<p>Magyar</p> <p align="center"><b><u>GARANCIA BIZONYLAT</u></b></p> <p>① Típuszám  ② Sorozatszám  ③ A vásárlás dátuma  ④ A Vásárló neve és címe  ⑤ A Kereskedő neve és címe  (Kérjük ide elhelyezni a Kereskedő nevének és címének pecsétjét)</p>	<p>Русский</p> <p align="center"><b><u>ГАРАНТИЙНЫЙ СЕРТИФИКАТ</u></b></p> <p>① Модель №  ② Серийный №  ③ Дата покупки  ④ Название и адрес заказчика  ⑤ Название и адрес дилера  (Пожалуйста, внесите название и адрес дилера)</p>

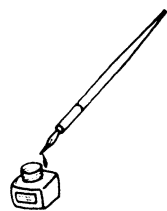


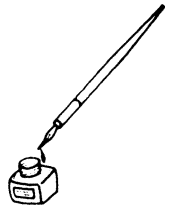
# HITACHI

①	
②	
③	
④	
⑤	









## **Hitachi Power Tools Österreich GmbH**

Str. 7, Objekt 58/A6, Industriezentrum NÖ –Süd 2355  
Wiener Neudorf, Austria  
Tel: +43 2236 64673/5  
Fax: +43 2236 63373

## **Hitachi Power Tools Hungary Kft.**

1106 Bogancsvirag U.5-7, Budapest, Hungary  
Tel: +36 1 2643433  
Fax: +36 1 2643429  
URL: <http://www.hitachi-powertools.hu>

## **Hitachi Power Tools Polska Sp.z o.o.**

ul. Kleszczowa27  
02-485 Warszawa, Poland  
Tel: +48 22 863 33 78  
Fax: +48 22 863 33 82  
URL: <http://www.hitachi-elektronarzedzia.pl>

## **Hitachi Power Tools Czech s.r.o.**

Videnska 102,619 00 Brno, Czech  
Tel: +420 547 426 598  
Fax: +420 547 426 599  
URL: <http://www.hitachi-powertools.cz>

## **Hitachi Power Tools Netherlands B.V. Moscow Branch**

Kashirskoye Shosse Dom 65, 4F  
115583 Moscow, Russia  
Tel: +7 495 727 4460 or 4462  
Fax: +7 495 727 4461  
URL: <http://www.hitachi-pt.ru>

## **Hitachi Power Tools Romania**

Str Sf. Gheorghe nr 20-Ferma, Pantelimon, Jud. Llifov  
Tel: +031 805 25 77  
Fax: +031 805 27 19

<p>English</p> <p><b>EC DECLARATION OF CONFORMITY</b></p> <p>We declare under our sole responsibility that this product is in conformity with standards or standardized documents EN60745, EN55014 and EN61000 in accordance with Council Directives 2004/108/EC and 98/37/EC. This product also complies with the essential requirements of 2006/42/EC to be applied from 29 December 2009.</p> <p>This declaration is applicable to the product affixed CE marking.</p>	<p>Čeština</p> <p><b>PROHLÁŠENÍ O SHODĚ S CE</b></p> <p>Prohlašujeme na svoji zodpovědnost, že tento výrobek odpovídá normám EN60745, EN55014 a EN61000 v souladu se směrnicemi 2004/108/EC a 98/37/EC. Tento výrobek rovněž vyhovuje základním požadavkům 2006/42/EC platných od 29. prosince 2009.</p> <p>Toto prohlášení platí pro výrobek označený značkou CE.</p>
<p>Deutsch</p> <p><b>ERKLÄRUNG ZUR KONFORMITÄT MIT CE-REGELN</b></p> <p>Wir erklären mit alleiniger Verantwortung, daß dieses Produkt den Standards oder standardisierten Dokumenten EN60745, EN55014 und EN61000 in Übereinstimmung mit den Direktiven des Europarats 2004/108/CE und 98/37/CE entspricht. Dieses Produkt hält auch die wesentlichen Anforderungen von 2006/42/CE ein, die ab 29. Dezember 2009 gelten werden.</p> <p>Diese Erklärung gilt für Produkte, die die CE-Markierung tragen.</p>	<p>Türkçe</p> <p><b>AB UYGUNLUK BEYANI</b></p> <p>Bu ürünün, 2004/108/EC ve 98/37/EC sayılı Konsey Direktiflerine uygun olarak, EN60745, EN55014 ve EN61000 sayılı standartlara ve standartlaştırılmış belgelere uygun olduğunu, tamamen kendi sorumluluğumuz altında beyan ederiz. Bu ürün, aynı zamanda 29 Aralık 2009 tarihinden itibaren uygulanacak olan 2006/42/EC No'lu Konsey Direktifinin temel şartlarına da uygundur.</p> <p>Bu beyan, üzerinde CE işareti bulunan ürünler için geçerlidir.</p>
<p>Ελληνικά</p> <p><b>ΕΚ ΔΗΛΩΣΗ ΕΝΑΡΜΟΝΙΣΜΟΥ</b></p> <p>Δηλώνουμε με απόλυτη υπευθυνότητα ότι αυτό το προϊόν είναι εναρμονισμένο με τα πρότυπα ή τα έγγραφα προτύπων EN60745, EN55014 και EN61000 σε συμφωνία με τις Οδηγίες του Συμβουλίου 2004/108/ΕΚ και 98/37/ΕΚ. Αυτό το προϊόν είναι επίσης σύμφωνο με τις βασικές απαιτήσεις του 2006/42/ΕΚ που εφαρμόζονται από τις 29 Δεκεμβρίου 2009.</p> <p>Αυτή η δήλωση ισχύει στο προϊόν με το σημάδι CE.</p>	<p>Română</p> <p><b>DECLARAȚIE DE CONFORMITATE CE</b></p> <p>Declarăm pe propria răspundere că acest produs este conform cu standardele sau documentele de standardizare EN60745, EN55014 și EN61000 și cu Directivele Consiliului 2004/108/CE și 98/37/CE. Acest produs se conformează, de asemenea, cerințelor de bază ale 2006/42/CE, care urmează a fi aplicate începând cu 29 decembrie 2009.</p> <p>Prezenta declarație se referă la produsul pe care este aplicat semnul CE.</p>
<p>Polski</p> <p><b>DEKLARACJA ZGODNOŚCI Z EC</b></p> <p>Oznajmiamy z całkowitą odpowiedzialnością, że produkt ten pozostaje w zgodzie ze standardami lub standardową formą dokumentów EN60745, EN55014 i EN61000 w zgodzie z Zasadami Rady 2004/108/EC i 98/37/EC. Ten produkt spełnia także wymogi Dyrektywy 2006/42/EC, które wchodzą w życie z dniem 29 grudnia 2009 r.</p> <p>To oświadczenie odnosi się do załączonego produktu z oznaczeniami CE.</p>	<p>Slovenščina</p> <p><b>EC DEKLARACIJA O SKLADNOSTI</b></p> <p>Pro lastni odgovornosti objavljamo, da je izdelek v skladu s standardi ali standardiziranimi dokumenti EN60745, EN55014 in EN61000 v skladu z direktivami Sveta 2004/108/EC in 98/37/EC. Ta proizvod je izdelan v skladu tudi z osnovnimi zahtevami standarda 2006/42/EC, ki se začne uporabljati 29. decembra 2009.</p> <p>Deklaracija je označena na izdelku s pritrjeno CE označbo.</p>
<p>Magyar</p> <p><b>EU MEGFELELŐSÉGI NYILATKOZAT</b></p> <p>Teljes felelősségünk tudatában kijelentjük, hogy ez a termék megfelel az EN60745, EN55014, és EN 61000 szabványoknak illetve szabványosított dokumentumoknak, az Európa Tanács 2004/108/EC, és 98/37/EC Tanácsi Direktíváiával összhangban. A termék ezen kívül megfelel a 2006/42/EC követelményeinek, melyeket 2009. December 29.-étől kell alkalmazni.</p> <p>Jelen nyilatkozat a terméken feltüntetett CE jelzésre vonatkozik.</p>	<p>Русский</p> <p><b>ДЕКЛАРАЦИЯ СООТВЕТСТВИЯ ЕС</b></p> <p>Мы с полной ответственностью заявляем, что данное изделие соответствует стандартам или стандартизованным документам EN60745, EN55014 и EN61000 согласно Директивам Совета 2004/108/ЕС и 98/37/ЕС. Этот продукт соответствует главным требованиям 2006/42/ЕС от 29 декабря 2009 г.</p> <p>Данная декларация относится к изделиям, на которых имеется маркировка CE.</p>

Representative office in Europe  
**Hitachi Power Tools Europe GmbH**  
Siemensring 34, 47877 Willich 1, F. R. Germany



27. 2. 2009

Head office in Japan  
**Hitachi Koki Co., Ltd.**  
Shinagawa Intercity Tower A, 15-1, Konan 2-chome,  
Minato-ku, Tokyo, Japan

K. Kato  
Board Director