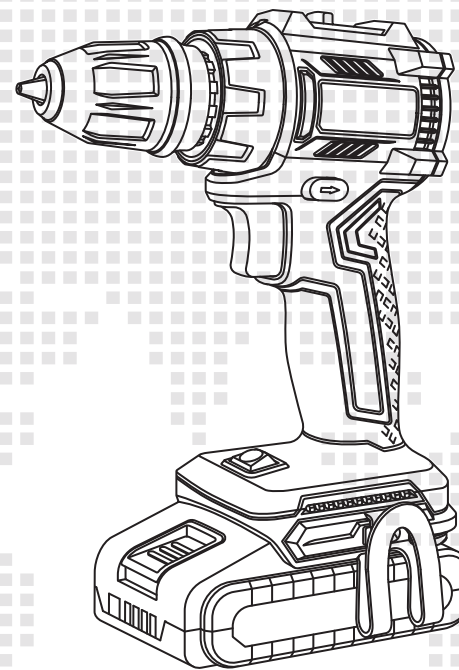




Manual\_Cordless drills/screwdrivers\_03.2025\_CIS-5-STD\_v.3.3

**CROWN**  
TOOLS FOR A BETTER LIFE

■ CT21131HQX



**Merit Link International AG**  
P.O. Box 641, CH-6855 Stabio  
Switzerland  
[www.meritlink.com](http://www.meritlink.com)



- en** Original instructions
- ru** Оригинальное руководство по эксплуатации
- ua** Оригінальна інструкція з експлуатації
- kz** Пайдалану нұсқаулығының түпнұсқасы
- ka** ექსპლუატაციის ორიგინალი სახელმძღვანელო

# Content / Содержание / Зміст / Мазмұны / შინაარსი

---

## English

Explanatory drawings .....	pages 3 - 9
General safety rules, instructions manual .....	pages 10 - 16

---

## Русский

Пояснительные рисунки .....	страницы 3 - 9
Общие указания по ТБ, инструкция по эксплуатации .....	страницы 17 - 25

---

## Українська

Пояснювальні малюнки .....	сторінки 3 - 9
Загальні вказівки по ТБ, інструкція з експлуатації .....	сторінки 26 - 33

---

## Қазақ тілі

Түсіндіргіш әлеміштер .....	беттер 3 - 9
Жалпы қауіпсіздік жөніндегі ұсыныстар, пайдалану нұсқаулығы .....	беттер 34 - 41

---

## ქართული

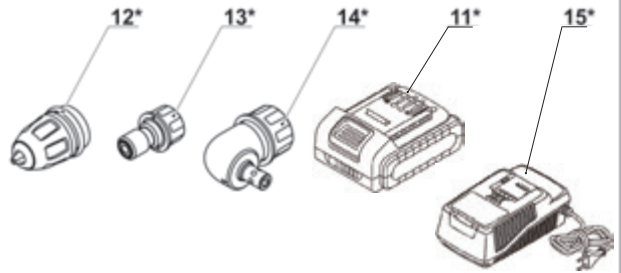
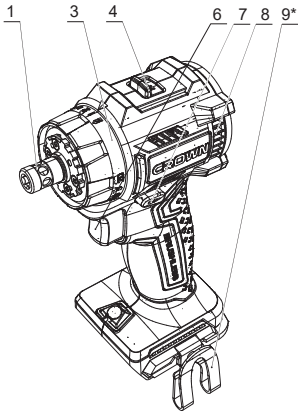
განმარტებითი სურათები .....	გვერდები 3 - 9
უსაფრთხოების ზოგადი წესები, ინსტრუქციების სახელმძღვანელო .....	გვერდები 42 - 50

---

[220-240 V]



CT21131HGX

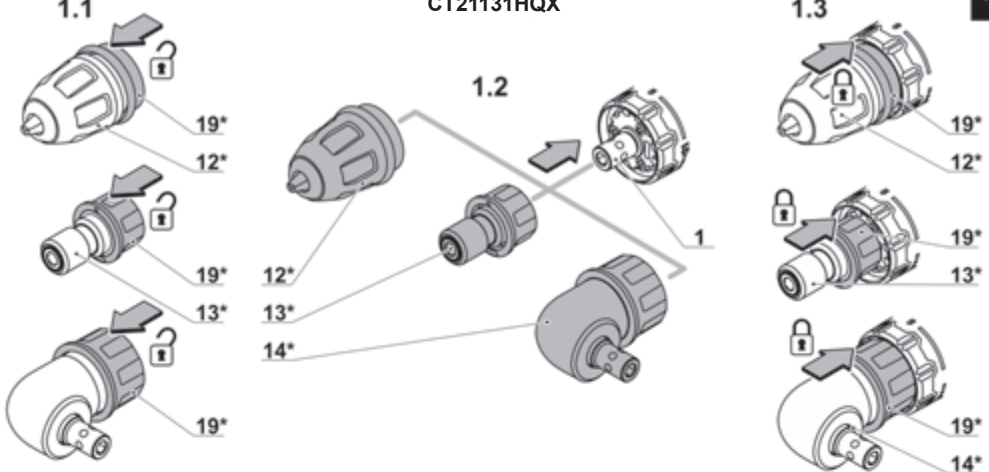


1.1

CT21131HGX

1.3

1

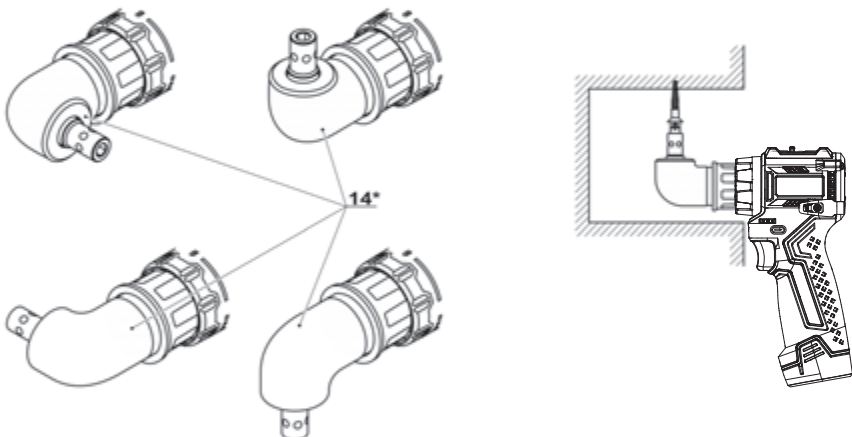


2.1

CT21131HGX

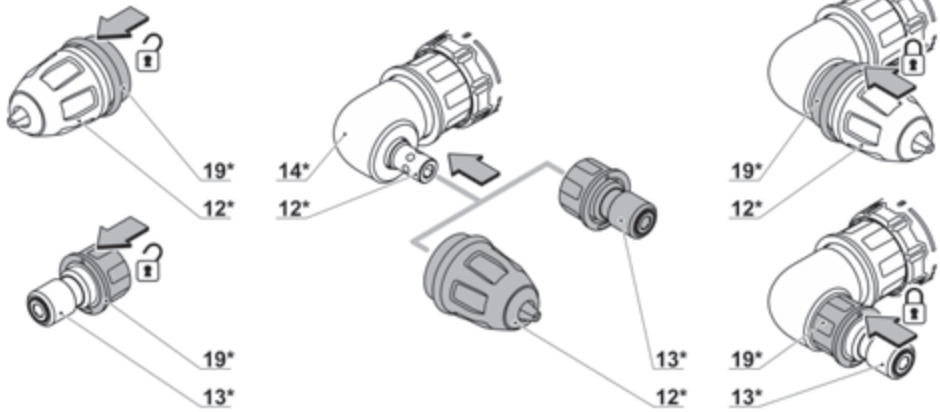
2.2

2



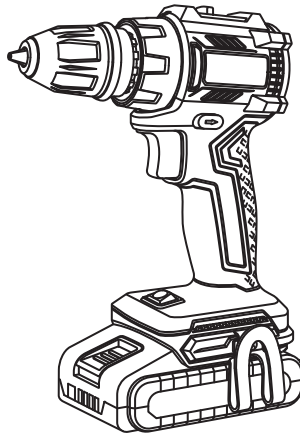
CT21131HQX

3



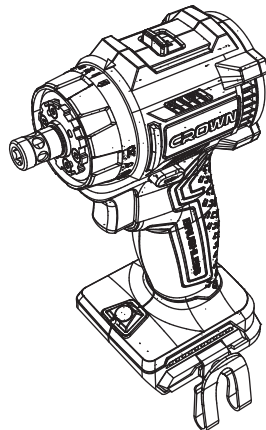
CT21131HQX

4



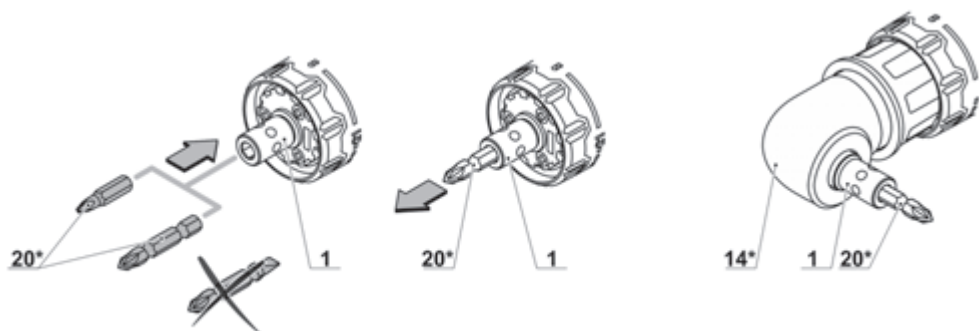
CT21131HQX

5



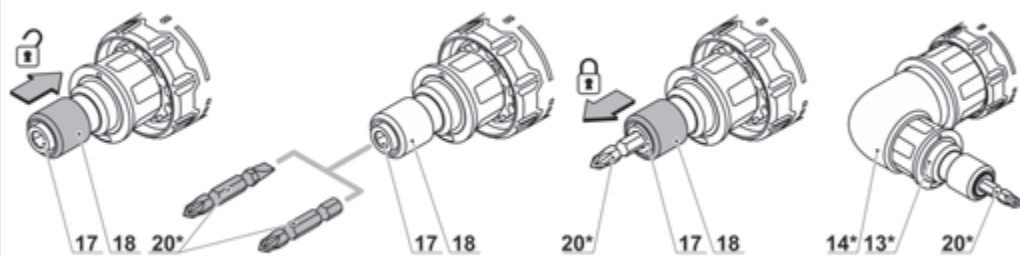
CT21131HQX

6



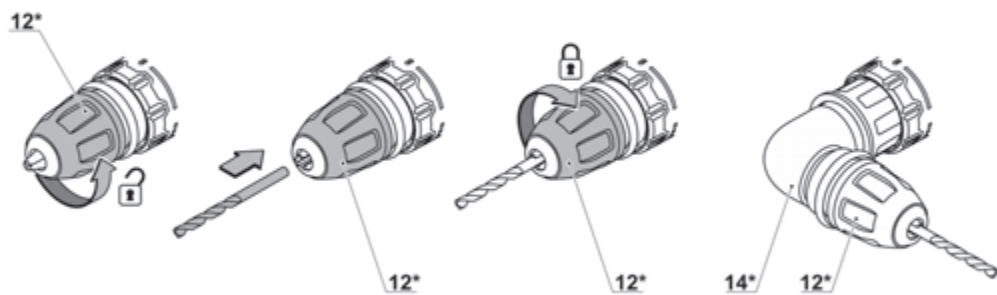
CT21131HQX

7

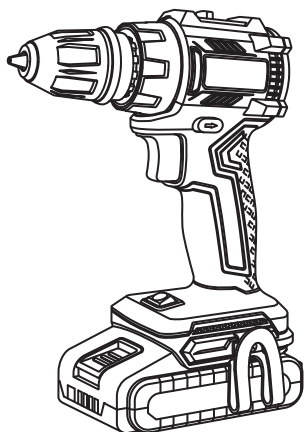


CT21131HQX

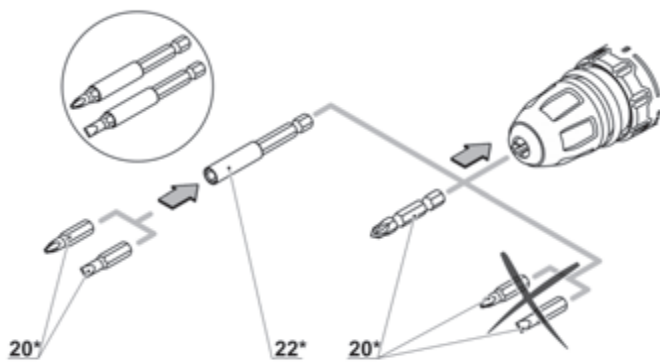
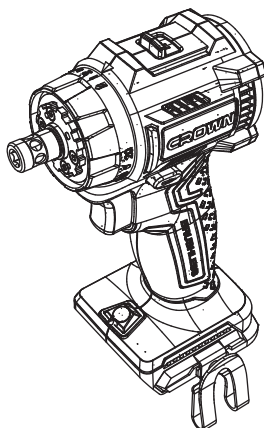
8



CT21131HQX

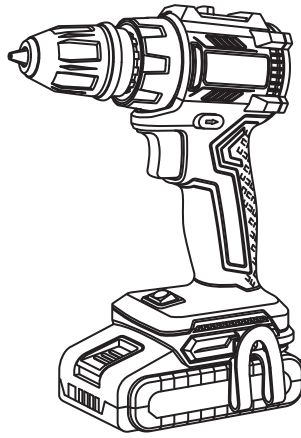


CT21131HQX



CT21131HQX

12

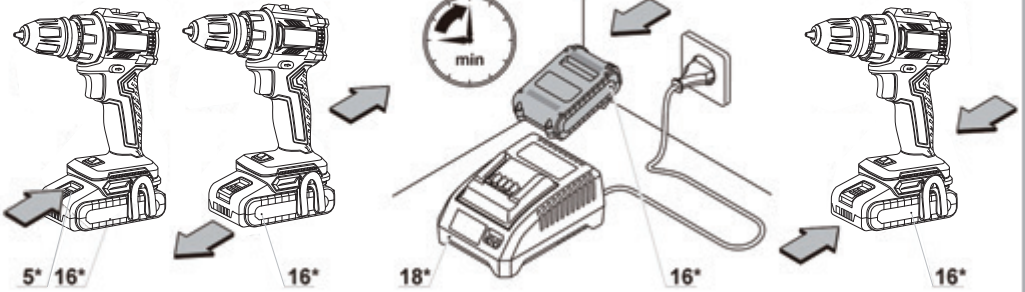


13.1

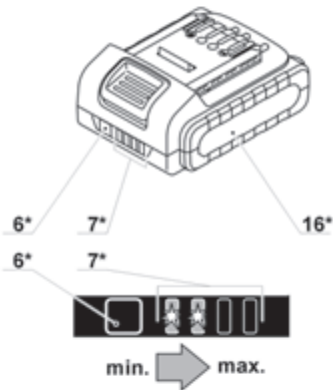
13.2

13.2

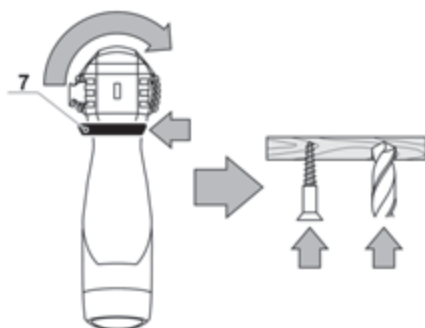
13



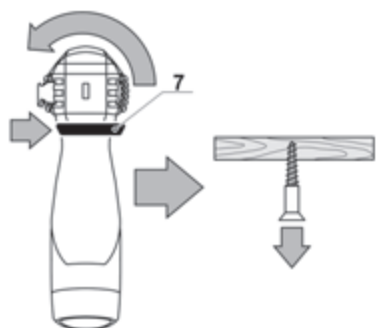
14



15.1

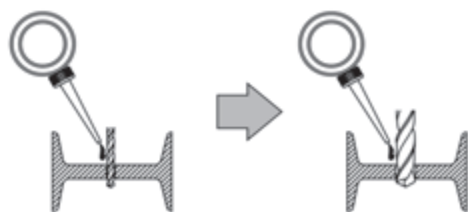


15.2

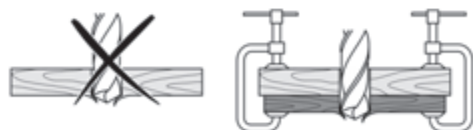


15

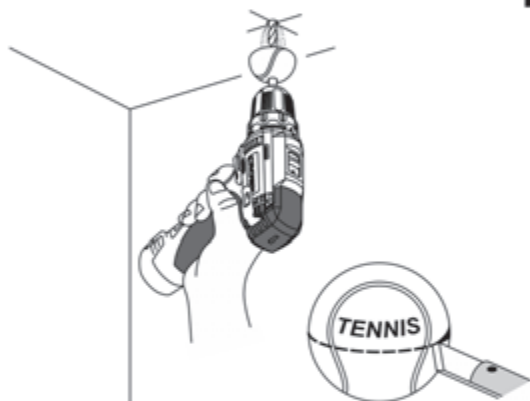
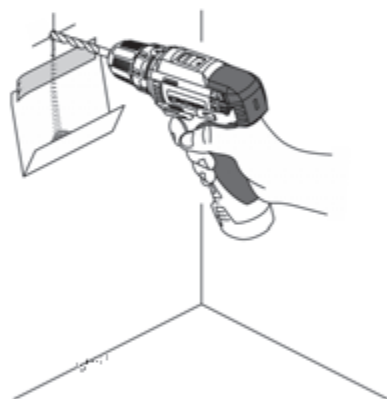
16.1



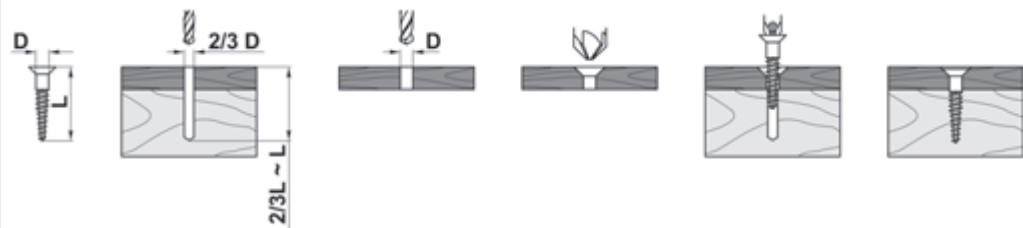
16.2



16



17



## Power tool specification

Cordless drill / screwdriver Cordless screwdriver		CT21131HQX	CT21131HQX-2
Rated voltage	[V]	20	20
No-load speed:			
- first gear	[min <sup>-1</sup> ]	0-450	0-450
- second gear	[min <sup>-1</sup> ]	0-1850	0-1850
Battery type		—	Li-Ion
Battery capacity	[Ah]	—	2
Max. torque (soft / hard)	[Nm]	30 / 50	30 / 50
Chuck tightening range	[mm] [inches]	0,8-10 1/32"-3/8"	0,8-10 1/32"-3/8"
Drilling output:			
- steel	[mm] [inches]	10 3/8"	10 3/8"
- wood	[mm] [inches]	38 1-1/2"	38 1-1/2"
Max. screw diameter	[mm] [inches]	8 5/16"	8 5/16"

## Noise information



Always wear ear protection if the sound pressure exceed 85 dB(A).

EN 62841-1:2015,  
EN 62841-2-1:2018,  
EN 55014-1:2017,  
EN 55014-2:2015,

## CE\* Declaration of conformity

We declare under our sole responsibility that the product described under "Power tool specifications" is in conformity with all relevant provisions of the directives 2006/42/EC including their amendments and complies with the following standards:

Certification  
manager

Wu Cunzhen

\* - for power tools with voltage 220-240 V.

Merit Link International AG  
Stabio, Switzerland, 14.11.2023



**WARNING - To reduce the risk of injury, user must read instruction manual!**

## General safety rules



**WARNING!** Read all safety warnings, instructions, illustrations and specifications provided with this power tool. Failure to follow the warnings and instructions may result in electric shock, fire and / or serious injury.

**Save all warnings and instructions for future reference.**

The term "power tool" in the warnings refers to your mains-operated (corded) power tool or battery-operated (cordless) power tool.

### Work area safety

- **Keep work area clean and well lit.** Cluttered or dark areas invite accidents.
- **Do not operate power tools in explosive atmospheres, such as in the presence of flammable liquids, gases or dust.** Power tools create sparks which may ignite the dust or fumes.
- **Keep children and bystanders away while operating a power tool.** Distractions can cause you to lose control.

### Electrical safety

- **Power tool plugs must match the outlet. Never modify the plug in any way. Do not use any adapter plugs with earthed (grounded) power tools.** Unmodified plugs and matching outlets will reduce risk of electric shock.
- **Avoid body contact with earthed or grounded surfaces, such as pipes, radiators, ranges and refrigerators.** There is an increased risk of electric shock if your body is earthed or grounded.
- **Do not expose power tools to rain or wet conditions.** Water entering a power tool will increase the risk of electric shock.
- **Do not abuse the cord. Never use the cord for carrying, pulling or unplugging the power tool. Keep cord away from heat, oil, sharp edges or moving parts.** Damaged or entangled cords increase the risk of electric shock.
- **When operating a power tool outdoors, use an extension cord suitable for outdoor use.** Use of a cord suitable for outdoor use reduces the risk of electric shock.
- **If operating a power tool in a damp location is unavoidable, use a residual current device (RCD) protected supply.** Use of an RCD reduces the risk of electric shock. NOTE! The term "residual current device (RCD)" may be replaced by the term "ground fault circuit interrupter (GFCI)" or "earth leakage circuit breaker (ELCB)".
- **Warning!** Never touch the exposed metal surfaces on gearbox, shield, and so on because touching metal surfaces will be interfered with the electromagnetic wave, thus causing potential injury or accidents.

### Personal safety

- **Stay alert, watch what you are doing and use common sense when operating a power tool. Do not use a power tool while you are tired or under the influence of drugs, alcohol or medication.** A

moment of inattention while operating power tools may result in serious personal injury.

- **Use personal protective equipment. Always wear eye protection.** Protective equipment such as dust mask, non-skid safety shoes, hard hat, or hearing protection used for appropriate conditions will reduce personal injuries.

- **Prevent unintentional starting. Ensure the switch is in the off-position before connecting to power source and / or battery pack, picking up or carrying the tool.** Carrying power tools with your finger on the switch or energising power tools that have the switch on invites accidents.

- **Remove any adjusting key or wrench before turning the power tool on.** A wrench or a key left attached to a rotating part of the power tool may result in personal injury.

- **Do not overreach. Keep proper footing and balance at all times.** This enables better control of the power tool in unexpected situations.

- **Dress properly. Do not wear loose clothing or jewellery. Keep your hair, clothing and gloves away from moving parts.** Loose clothes, jewellery or long hair can be caught in moving parts.

- **If devices are provided for the connection of dust extraction and collection facilities, ensure these are connected and properly used.** Use of dust collection can reduce dust-related hazards.

- **Do not let familiarity gained from frequent use of tools allow you to become complacent and ignore tool safety principles.** A careless action can cause severe injury within a fraction of a second.

- **Warning!** Power tools can produce an electromagnetic field during operation. This field may under some circumstances interfere with active or passive medical implants. To reduce the risk of serious or fatal injury, we recommend persons with medical implants to consult their physician and the medical implant manufacturer before operating this power tool.

### Power tool use and care

- The persons with lowered psychophysical or mental aptitudes as well as children can not operate the power tool, if they are not supervised or instructed about use of the power tool by a person responsible for their safety.

- **Do not force the power tool. Use the correct power tool for your application.** The correct power tool will do the job better and safer at the rate for which it was designed.

- **Do not use the power tool if the switch does not turn it on and off.** Any power tool that cannot be controlled with the switch is dangerous and must be repaired.

- **Disconnect the plug from the power source and / or the battery pack from the power tool before making any adjustments, changing accessories, or storing power tools.** Such preventive safety measures reduce the risk of starting the power tool accidentally.

- **Store idle power tools out of the reach of children and do not allow persons unfamiliar with the power tool or these instructions to operate the power tool.** Power tools are dangerous in the hands of untrained users.

- **Maintain power tools. Check for misalignment or binding of moving parts, breakage of parts and any other condition that may affect the power tool's operation.** If damaged, have the power tool repaired before use. Many accidents are caused by poorly maintained power tools.

- **Keep cutting tools sharp and clean.** Properly maintained cutting tools with sharp cutting edges are less likely to bind and are easier to control.
- **Use the power tool, accessories and tool bits etc. in accordance with these instructions, taking into account the working conditions and the work to be performed.** Use of the power tool for operations different from those intended could result in a hazardous situation.
- **Keep handles and grasping surfaces dry, clean and free from oil and grease.** Slippery handles and grasping surfaces do not allow for safe handling and control of the tool in unexpected situations.
- Note that when you operate a power tool, please hold the auxiliary handle correctly, which is helpful when controlling the power tool. Therefore, proper holding can reduce the risk of accidents or injuries.

### Battery tool use and care

- **Recharge only with the charger specified by the manufacturer.** A charger that is suitable for one type of battery pack may create a risk of fire when used with another battery pack.
- **Use power tools only with specifically designated battery packs.** Use of any other battery packs may create a risk of injury and fire.
- **When battery pack is not in use, keep it away from other metal objects, like paper clips, coins, keys, nails, screws or other small metal objects, that can make a connection from one terminal to another.** Shorting the battery terminals together may cause burns or a fire.
- **Under abusive conditions, liquid may be ejected from the battery; avoid contact. If contact accidentally occurs, flush with water. If liquid contacts eyes, additionally seek medical help.** Liquid ejected from the battery may cause irritation or burns.
- **Avoid unintentional switching on. Ensure the on / off switch is in the off position before inserting battery pack.** Carrying the power tool with your finger on the on / off switch or inserting the battery pack into power tools that have the switch in accidents.
- **Do not open the battery.** Danger of circuit.
- **In case of damage and improper use of the battery, vapors may be emitted. Provide for fresh air and seek medical help in case of complaints.** The vapors can irritate the respiratory system.
- **When the battery is defective, liquid can escape and come into contact with adjacent components.** Check any parts concerned. Clean such parts or replace them, if required.
- **Protect the battery against heat, e.g., also against continuous sun irradiation and fire.** There is danger of explosion.



**WARNING! Read all safety warnings and all instructions.**

- **Protect the battery charger from rain and moisture.** The penetration of water in a battery charger increases the risk of electric shock.
- **Do not charge other batteries.** The battery charger is suitable only for charging lithium ion batteries within the listed voltage range. Otherwise there is danger of fire and explosion.
- **Keep the battery charger clean.** Contamination may cause the danger of electric shock.
- **Check the battery charger, cable and plug each time before using. Do not use the battery charger**

**when defects are detected. Do not open the battery charger yourself and have it repaired only by qualified personnel using original spare parts.** Damaged battery chargers, cables and plugs increase the risk of electric shock.

- **Do not operate the battery charger on easily inflammable surfaces (e.g., paper, textiles, etc.) or in combustible environments.** There is danger of fire due to the heating of the battery charger during charging.

### Service

- **Have your power tool serviced by a qualified repair person using only identical replacement parts.** This will ensure that the safety of the power tool is maintained.
- Follow instruction for lubricating and changing accessories.

### Special safety warnings

- **Hold power tool by insulated gripping surfaces, when performing an operation where the cutting accessory may contact hidden wiring or its own cord.** Cutting accessory contacting a "live" wire may make exposed metal parts of the power tool "live" and could give the operator an electric shock.
- **Wear ear protectors** Exposure to noise can cause hearing loss.

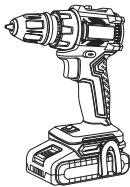





### Safety guidelines during power tool operation















- The workpiece shall be fastened. Fixed devices or vice shall be used to fasten the workpiece, which will be more secure than holding the workpiece with your hands.
- Considering that asbestos may cause cancer, asbestos - containing materials shall not be processed.
- The power tool could be put down only after the parts of power tool is completely static. Accessory on the power tool might be clamped during work, which may make it difficult for you to control the power tool.
- Appropriate detector shall be used to find the location of hidden power wires. Or you should obtain relevant information from local power supply unit. Drilling electric wires will cause fire and electric shock. Damaged gas pipe will cause explosion. If water pipes are punctured, damage will be caused to property.
- In case a accessory installed on the power tool is clamped, you shall shut down the power tool and stay calm. At that time, the power tool will produce extremely high reactive torque thus resulting in return stroke. The accessory installed on the power tool are likely to be clamped, for example: hypercharge of power tool or skewing of accessory installed on the power tool during work.
- If hidden electric wires or power lines of the power tool itself might be cut off during work, you must hold the insulated handle to operate the power tool. When the power tool is in touch with a charged line, the metal parts on the power tool will conduct electricity and may cause the operator to get an electric shock.
- During work, you must tightly hold the power tool and ensure you stand firmly. You should hold the power tool with your hands.


- When operating and using the power tool, you can only hold switch position of the main handle rather than other parts.
- Avoid stopping an power tool motor when loaded.
- Never remove any chips or fragments with your power tool's motor running.
- Use accessories without defects - it will make working with the power tool easier.
- The modification of the drill bits design and the use of removable orifices and accessories not envisaged for this power tool is strictly forbidden.
- Do not apply excessive pressure when operating the power tool - it can jam the drill bit and overload the engine.
- Do not allow drill bits to jam in the material processed. If this occurs, do not try to release them by means of the power tool engine. This can put the power tool out of order.
- Striking out drill bits jammed in the material processed with a hammer or other objects is strictly forbidden - metal fragments can hurt both the operator and the people nearby.
- Avoid overheating your power tool, when using it for a long time.

## Symbols used in the manual

Following symbols are used in the operation manual, please remember their meanings. Correct interpretation of the symbols will allow correct and safe use of the power tool.

Symbol	Meaning
	<b>Cordless drill / screw-driver</b>
	<b>Serial number sticker:</b> CT ... - model; XX - date of manufacture; XXXXXXX - serial number.
	Read all safety regulations and instructions.
	Wear safety goggles.
	Wear a dust mask.
	Do not heat the battery above 45°C. Protect from prolonged exposure to direct sunlight.

Symbol	Meaning
	Do not dispose of the battery in a domestic waste container.
	Do not dispose of the battery in the fire.
	Protect the battery from the rain.
	Battery charging time.
	Movement direction.
	Rotation direction.
	Locked.
	Unlocked.
	A sign certifying that the product complies with essential requirements of the EU directives and harmonized EU standards.
	Attention. Important.
	Useful information.
	Wear protective gloves.
	Torque control position: "Drilling".
	Stepless speed control.

Symbol	Meaning
	Do not dispose of the power tool in a domestic waste container.

## Power tool designation

The power tool has been designed for hole drilling in wood, plastic and metal, as well as for screwing in and loosening of threaded fastening elements (screws, bolts, etc.). **CT21131HQX** - model deliver with quick-change attachments (keyless chuck, tool holder and angle tool holder) that allow to perform works in hard-to-reach places.

## Power tool components

- 1 Universal tool holder
- 2 LED lamp
- 3 Torque regulator
- 4 Step speed selector switch
- 5 Indicators of the state of battery charge
- 6 On / off switch
- 7 Reverse switch
- 8 Ventilation slots
- 9 Belt clip \*
- 10 Battery lock \*
- 11 Battery \*
- 12 Quick-change keyless chuck \*
- 13 Quick-change tool holder \*
- 14 Quick-change angle tool holder \*
- 15 Charger \*
- 16 Keyless chuck
- 17 Tool holder \*
- 18 Fixing bush
- 19 Lock of quick-change attachment \*
- 20 Screwdriver bit \*
- 21 Screw
- 22 Magnetic holder \*
- 23 Indicator (green) \*
- 24 Indicator (red) \*

\* Optional extra

**Not all of the accessories illustrated or described are included as standard delivery.**

## Installation and regulation of power tool elements

Before execution of any procedures, centre the reverse switch 7.



Do not draw up the fastening elements too tight to avoid damaging the thread.



Mounting / dismounting / setting-up of some elements is the same for all power tool models, in this case specific models are not indicated in the illustration.

## Mounting / replacement of quick-change accessories (see fig. 1-3)

### [CT21131HQX]

Quick-change attachments **12**, **13** or **14** enlarge the area of power tool usage and allow to perform works in hard-to-reach places (see fig. 2.2).

- Move the lock **19** forward and hold it in this position (see fig. 1.1).
- Install one of quick-change attachments **12**, **13** or **14** on universal tool holder **1** (see fig. 1.2).
- Release the lock **19**.
- Disassembly operations do in reverse sequence.
- Quick-change angle tool holder **14** can be set to different positions (see fig. 2.1).
- Quick-change keyless chuck **12** and quick-change tool holder **13** (see fig. 3) can be installed on quick-change angle tool holder **14**.

## Mounting / replacement of accessories (see fig. 4-8)

### [CT21131HQX]

- **When installed universal tool holder 1:**
  - Mount / replace the screwdriver bit **20** into universal tool holder **1**, as shown onto fig. 6.

**Attention: the universal tool holder 1 has a built-in magnet, therefore it is not recommended to install double-side screwdrivers into it. They can not be securely fixed in the universal tool holder 1 due to the small contact area of the screwdriver end with the magnet, while the end of the screwdriver can destroy the magnet.**
- **When installed quick-change tool holder 13:**
  - Move backward the fixing bush **18** and hold it in this position (see fig. 7).
  - Mount / replace the accessory. **Attention: use accessories that have circular groove at the stem end, their use will guarantee safe fixation of accessory in the quick-change tool holder 13.**
  - Release the fixing bush **18**.
- **When installed quick-change keyless chuck 12:**
  - Open the jaws of the keyless chuck **12**, rotating its front part as shown in fig. 8.
  - Mount / replace the accessory.
  - Tighten the keyless chuck **12** without skewing the accessory as it is shown in fig. 8.

## Screwdriver bit / magnetic holder (see fig. 11)

For short screwdriver bits use the magnetic holder **22** for their reliable fixing (see fig. 11).

A magnetic holder **22** is not needed for extended screwdriver bits **20** (specially purposed for screwdrivers).

## Charging procedure of the power tool battery

### Initial operating of the power tool

The power tool is supplied with a partially charged battery **11**. Before the first use, the battery **11** must be fully charged.

### Charging process (see fig. 13)

- Centre the reverse switch **7**.
- Press the two battery lock **10** and remove the battery **11** (see fig. 13.1).
- Insert battery **11** into charger **15** (see fig. 13.2).
- Connect the charger **15** to the power supply.
- Charger indicators **23** (green) and **24** (red) inform of the battery **11** charging process.

- The green indicator **23** is lit, the battery **11** is not inserted in the charger **15** - the charger **15** is connected to the power network (ready for charging).
- The green indicator **23** is blinking, the battery **11** is inserted in the charger **15** - the battery **11** is being charged.
- The green indicator **23** is lit, the battery **11** is inserted in the charger **15** - the battery **11** is fully charged.
- The red indicator **24** is lit, the battery **11** is inserted in the charger **15** - the charging process of the battery **11** is terminated due to inappropriate temperature. When the temperature conditions are normal, the process of charging will resume.
- The red indicator **24** is blinking, the battery **11** is inserted in the charger **15** - the charging process of the battery **11** is terminated because of its failure. Replace the faulty battery **11**, its further use is prohibited.



**In the process of charging the battery 11 and the charger 15 become hot, it is a normal process.**

- Disconnect the charger **15** from power supply after charging.
- Remove the battery **11** from the charger **15** and mount battery **11** in the power tool (see fig. 13.3).

---

## Switching the power tool on / off

**Make sure that the reverse switch 7 is not centred, this blocks on / off switch 6.**

### Switching on:

Press on / off switch **6**.

### Switching off:

Release the on / off switch **6**.

---

## Design features of the power tool

### Battery

The battery **11** is protected by the safety system against deep discharge. In case of complete discharge, the power tool is automatically switched off. **Attention: do not try to switch on the power tool when the protection system is activated the battery 11 can be damaged.**

### Temperature protection

The temperature protection system enables to automatically deactivate the power tool in case of excess load or when the temperature of the battery **11** is exceeding 70°C. The system guarantees protection of the power tool from damage in case of noncompliance with the operation conditions.

### Indicators of the state of battery charge (see fig. 14)

With the push of the on / off **6** the indicators **5** show the state of charge of the battery **11** (see fig. 14).

## LED lamp

When the on / off switch **6** is pushed, the LED lamp **2** is automatically switched on that allows to carry out works in low light conditions.

## Torque regulator

Rotate the regulator **3** in order to set one of the 21 torque values most suitable for the work performed.



It is recommended to set the torque regulator **3** into the position "Drill" to perform drilling.

## Stepless speed adjustment



Speed is controlled from 0 to maximum by pressing force of on / off switch **6**. Weak pressing results in low revolutions, which enable a smooth power tool switch-on.

## Step speed selector switch



**Attention: one can only change the revolutions per minute range after the engine fully stops.**

In order to choose the "1" gear, move the switch **4** back. This mode is used for the fastening of screws or for large diameter hole drilling.

In order to choose the "2" gear, move the switch **4** forward. This mode is used for speed drilling of small diameter holes.

## Changing the rotational directions (see fig. 15)



**Change the direction of rotation only after a full stop of the motor, acting otherwise may cause damage to the power tool.**

**Clockwise rotation** (drilling, fastening of screws) - move the reverse switch **7** to the left as it is shown in fig. 15.1.

**Counter clockwise rotation** (unscrewing the screws) - move the reverse switch **7** to the right as it is shown in fig. 15.2.

## Spindle automatic locking

If the on / off switch **6** is not pressed, the spindle of the power tool is locked this enables to use the power tool as an ordinary screwdriver (for example it can be used to tighten manually screws or bolts, if the battery is low).

## Break rundown

Break rundown stops the spindle of the power tool immediately after the power tool is turned off. This helps to avoid an excessive tightening of the bolts and screws and prevents work pieces, screwdriver bits and slots of fastening elements from being damaged.

---

## Recommendations on the power tool operation

## Drilling (see fig. 16-17)

### [CT21131HQX]

#### (with installed quick-change keyless chuck)

- Grease the drill bit regularly when drilling holes in metals (except drilling non-ferrous metals and their alloys).
- When drilling hard metals, apply more force to the power tool and lower the rotation speed.
- When drilling large diameter holes in metal, first drill a hole with a smaller diameter and ream it till the necessary diameter (see. fig. 16.1).
- In order to avoid splitting of the surface at an exit point of a drill bit when drilling holes in wood, follow the instructions shown in figure 16.2.
- In order to decrease dust production when drilling holes in walls and ceilings, take actions indicated in fig. 17.

## Screwing the screws (see fig. 18)

- To make fastening of screws easier and in order to prevent cracking of the work pieces, first drill a hole with a diameter equal to 2/3 of a diameter of the screw.
- If you are connecting work pieces with the help of screws, in order to achieve durable joint without getting cracks, fracturing or layering, take actions shown in figure 18.

---

## Power tool maintenance / preventive measures

**Before execution of any procedures, centre the reverse switch 7.**

### Battery maintenance instruction

- Charge timely before the battery **11** is completely exhausted. Stop operation in low power and charge it immediately.
- Do not overcharge when the battery **11** is full, otherwise it will shorten the life time.
- Charge battery **11** in the room temperature of 10°C to 40°C (50°F to 104°F).
- Charge battery **11** every 6 months without operation for a long time.
- Replace worn out batteries in time. Decline of production or a significantly shorter runtime of the power tool after charging indicates aging of the battery **11** and the need for replacement. It should be taken into account that the battery **11** may discharge faster if the works take place in the temperature below 0°C.
- In case of long time storage without use, it is recommended to store the battery **11** at room temperature, it should be charged to 50%.

## Cleaning of the power tool

An indispensable condition for a safe long-term exploitation of the power tool is to keep it clean. Regularly flush the power tool with compressed air through the ventilation slots **8**.

## After-sales service and application service

Our after-sales service responds to your questions concerning maintenance and repair of your product as well as spare parts. Information about service centers, parts diagrams and information about spare parts can also be found under: [www.crown-tools.com](http://www.crown-tools.com).

---

## Transportation of the power tools

- Categorically not to drop any mechanical impact on the packaging during transport.
- When unloading / loading is not allowed to use any kind of technology that works on the principle of clamping packaging.

### Li-Ion batteries

The contained Li-Ion batteries are subject to the Dangerous Goods Legislation requirements. The user can transport the batteries by road without further requirements.

When being transported by third parties (e.g.: air transport or forwarding agency), special requirements on packaging and labelling must be observed. For preparation of the item being shipped, consulting an expert for hazardous material is required.

Dispatch batteries only when the housing is undamaged. Tape or mask off open contacts and pack up the battery in such a manner that it cannot move around in the packaging. Please also observe possibly more detailed national regulations.

---

## Environmental protection



**Recycle raw materials instead of disposing as waste.**

Power tool, accessories and packaging should be sorted for environment-friendly recycling. The plastic components are labelled for categorized recycling. These instructions are printed on recycled paper manufactured without chlorine.

The manufacturer reserves the possibility to introduce changes.

English

# Технические характеристики электроинструмента

Аккумуляторная дрель / винтоверт Аккумуляторный винтоверт		СТ21131HQX	СТ21131HQX-2
Номинальное напряжение	[В]	20	20
Число оборотов холостого хода:			
- первая передача	[мин <sup>-1</sup> ]	0-450	0-450
- вторая передача	[мин <sup>-1</sup> ]	0-1850	0-1850
Тип аккумулятора		—	Li-Ion
Емкость аккумулятора	[Ач]	—	2
Макс. крутящий момент (мягкая посадка / жесткая посадка)	[Нм]	30 / 50	30 / 50
Диапазон зажима сверлильного патрона	[мм] [дюймы]	0,8-10 1/32"-3/8"	0,8-10 1/32"-3/8"
Макс. диаметр сверления:			
- сталь	[мм] [дюймы]	10 3/8"	10 3/8"
- дерево	[мм] [дюймы]	38 1-1/2"	38 1-1/2"
Макс. диаметр закручиваемых шурупов	[мм] [дюймы]	8 5/16"	8 5/16"

## Информация о шуме



Носить приспособление для защиты органов слуха при уровне звукового давления свыше 85 дБ(А).

## CE\* Соответствия требуемым нормам

Мы заявляем под нашу единоличную ответственность, что описанный в разделе "Технические характеристики электроинструмента" продукт отвечает всем соответствующим положениям Дирек-

тив 2006/42/ЕС включая их изменения, а также следующим нормам:

EN 62841-1:2015,  
EN 62841-2-1:2018,  
EN 55014-1:2017,  
EN 55014-2:2015,

Менеджер по сертификации

Wu Cunzhen

\* - для электроинструментов с напряжением 220-240 В.

Merit Link International AG  
Stabio, Швейцария, 14.11.2023



**ПРЕДУПРЕЖДЕНИЕ** - Чтобы снизить риск получения травм, пользователь должен ознакомиться с руководством по эксплуатации!

## Общие правила техники безопасности



**ПРЕДУПРЕЖДЕНИЕ!** Внимательно изучите все предупреждения о технике безопасности и инструкции, пояснительные рисунки и спецификации, поставляемые вместе с электроинструментом. Несоблюдение предупреждений и инструкций может привести к поражению электрическим током, возгоранию и / или серьезной травме.

**Сохраните все предупреждения и инструкции для дальнейшего использования.**

Термин "электроинструмент", используемый в тексте предупреждений, относится к электроинструменту с питанием от электросети (проводной) или электроинструменту с питанием от аккумулятора (беспроводной).

### Безопасность рабочего места

- Рабочее место должно быть чистым и хорошо освещенным. В захламленных или темных местах вероятны несчастные случаи.
- Не используйте электроинструменты во взрывоопасных средах, например, в присутствии легковоспламеняющихся жидкостей, газов или пыли. Электроинструменты создают искры, которые могут стать причиной воспламенения пыли или паров.
- Во время работы электроинструмента не допускайте присутствия детей и других лиц. Отвлечение внимания может привести к потере контроля.

### Рекомендации по электробезопасности

- Вилки электроинструмента должны соответствовать розетке. Никогда не вносите изменения в конструкцию вилки. Не используйте адаптеры с заземленными электроинструментами. Вилки оригинальной конструкции и соответствующие розетки уменьшают риск поражения электрическим током.
- Избегайте контакта с заземленными поверхностями, такими как трубы, радиаторы, плиты и холодильники. Это повышает риск поражения электрическим током.
- Не подвергайте электроинструмент воздействию дождя или влаги. Попадание воды внутрь электроинструмента повышает риск поражения электрическим током.
- Не используйте токоведущий кабель в целях, для которых он не предназначен. Никогда не используйте кабель для переноски электроинструмента, подтягивания электроинструмента к себе, или для выключения электроинструмента рывком за токоведущий кабель. Оберегайте токоведущий кабель от нагревания, нефтепродуктов, острых кромок или движущихся частей электроинструмента. Поврежденный или спутанный токоведущий кабель увеличивает опасность поражения электрическим током.
- При работах на открытом воздухе, используйте удлинительные кабели, предназначен-

ные для наружных работ, это снизит опасность поражения электрическим током.

- Если нельзя избежать работы электроинструмента на участке с повышенной влажностью, используйте устройство защитного отключения (УЗО). Использование УЗО снижает риск поражения электрическим током. **ПРИМЕЧАНИЕ!** Термин "УЗО (RCD)" может быть заменен термином "устройство защитного отключения (GFCI)" или "автоматический выключатель с функцией защиты от тока утечки (ELCB)".

- **Предупреждение!** Никогда не прикасайтесь к открытым металлическим поверхностям редуктора, защитного кожуха и т.д., так как на металлические поверхности воздействуют электромагнитные волны и касание к ним может привести к травме или несчастному случаю.

### Рекомендации по личной безопасности

- Будьте бдительными, следите за тем, что вы делаете, и при работе с электроинструментом руководствуйтесь здравым смыслом. Не используйте электроинструмент, если вы устали или находитесь под воздействием наркотических средств, алкоголя или лекарств. Ослабление внимания при работе с электроинструментом может привести к серьезной травме.
- Используйте средства индивидуальной защиты. Всегда надевайте защитные очки. Средства индивидуальной защиты, такие как пылезащитная маска, нескользящая защитная обувь, каска или средства защиты органов слуха, которые используются в соответствующих условиях, уменьшают вероятность получения травм.
- Не допускайте непреднамеренного запуска электроинструмента. Перед подключением к источнику питания и / или аккумулятору, поднятием или переносом электроинструмента убедитесь, что выключатель / выключатель находится в выключенном состоянии. Перемещение электроинструмента, когда палец находится на выключателе / выключателе, или включение питания электроинструментов с включенным выключателем / выключателем может стать причиной несчастного случая.
- Перед включением, необходимо убрать из вращающихся частей электроинструмента все дополнительные ключи и приспособления. Ключ, оставленный во вращающейся части электроинструмента, может быть причиной серьезных травм.
- Не предпринимайте чрезмерных усилий. Всегда сохраняйте устойчивое положение и равновесие. Это позволяет лучше контролировать электроинструмент в непредвиденных ситуациях.
- Носите соответствующую одежду. Не надевайте свободную одежду или украшения. Держите волосы, одежду и перчатки вдали от движущихся деталей. Свободная одежда, украшения или длинные волосы могут быть захвачены подвижными частями электроинструмента, что станет причиной серьезных травм.
- Если в конструкции электроинструмента предусмотрена возможность для подключения пылеулавливающих и пылесборных устройств, убедитесь, что они подключены и правильно используются. Использование таких устройств уменьшает опасность, связанные с накоплением пыли.
- Всегда будьте осторожны, не игнорируйте принципы безопасной работы с электроин-

струментом из-за знаний и опыта, полученных вследствие частого пользования электроинструментом. Неосторожное действие может незамедлительно привести к серьезным травмам.

• **Предупреждение!** Во время работы электроинструменты могут создавать электромагнитное поле. При определенных обстоятельствах такое поле может создавать помехи активным или пассивным медицинским имплантатам. Чтобы снизить риск серьезной или смертельной травмы, перед использованием электроинструмента рекомендуем людям с медицинскими имплантатами проконсультироваться с врачом и изготовителем медицинского имплантата.

## Использование и обслуживание электроинструмента

• Люди с недостаточными психофизическими или умственными способностями и дети не могут управлять электроинструментом, если человек, ответственный за их безопасность, не контролирует их или не инструктирует об использовании электроинструмента.

• **Не перегружайте электроинструмент. Используйте электроинструмент, который соответствует вашей цели применения.** Соответствующий электроинструмент будет работать лучше и безопаснее с той производительностью, для которой он был спроектирован.

• **Не работайте электроинструментом с неисправным выключателем / выключателем.** Электроинструмент, включение / выключение которого, не может контролироваться представляет опасность и должен быть немедленно отремонтирован.

• **Перед выполнением каких-либо настроек, сменой принадлежностей или хранением электроинструментов - отсоедините вилку от источника питания и / или аккумулятор от электроинструмента.** Эти меры безопасности снижают риск случайного запуска электроинструмента.

• **Храните неиспользуемые электроинструменты в недоступном для детей месте и не разрешайте лицам, которые не ознакомились с электроинструментом или этими инструкциями, использовать электроинструмент.** Электроинструменты опасны в руках неподготовленных пользователей.

• **Следите за состоянием электроинструмента. Проверяйте осевое биение и надежность соединения подвижных деталей, а также любые неисправности, которые могут вывести электроинструмент из строя. Неисправный электроинструмент необходимо отремонтировать перед использованием.** Многие несчастные случаи возникают из-за плохого состояния электроинструмента.

• **Режущие инструменты должны содержаться в чистоте и быть хорошо заточенными.** Правильно установленные режущие инструменты с острыми режущими кромками уменьшают возможность заклинивания и облегчают управление электроинструментом.

• **Используйте электроинструмент, принадлежности, насадки и т.п. в соответствии с инструкциями, принимая во внимание условия работы и выполняемые работы.** Использование электроинструмента для операций, для которых он

не предназначен, может привести к опасной ситуации.

• **Поддерживайте рукоятки и поверхности захвата сухими, чистыми и свободными от масла и смазки.** Скользкие рукоятки и поверхности захвата препятствуют безопасному обращению с электроинструментом и управлению им в неожиданных ситуациях.

• **Обратите внимание, что при работе с электроинструментом необходимо правильно держать вспомогательную рукоятку; выполнение этого требования облегчает управление электроинструментом.** Таким образом, правильное удержание электроинструмента может снизить риск несчастных случаев или травм.

## Эксплуатация и обслуживание аккумуляторного инструмента

• **Заряжайте только при помощи зарядного устройства, рекомендованного производителем.** Зарядное устройство, предназначенное для аккумулятора определенного типа, при использовании с аккумулятором другого типа может стать причиной возгорания.

• **Используйте электроинструменты только с предназначенными для них аккумуляторами.** Использование других аккумуляторов может привести к риску получения травмы и возгорания.

• **Когда аккумулятор не используется, не храните его рядом с такими металлическими предметами, как канцелярские скрепки, монеты, ключи, гвозди, шурупы и другие небольшие металлические предметы, которые являются проводниками тока.** Замыкание контактов аккумулятора может привести к возгоранию или пожару.

• **При неправильном обращении может произойти утечка жидкости, находящейся внутри аккумулятора; не допускайте контакта с такой жидкостью, в противном случае промойте место контакта водой.** При попадании жидкости в глаза немедленно обратитесь за медицинской помощью. Жидкость, находящаяся в аккумуляторе, может стать причиной раздражения или химических ожогов.

• **Не допускайте самопроизвольного включения. Перед установкой аккумулятора убедитесь, что выключатель / выключатель находится в положении "выключено".** При перемещении электроинструмента убедитесь, что ваш палец не находится на выключателе / выключателе; кроме того, не устанавливайте аккумулятор в электроинструмент, если выключатель находится в положении "выключено" - невыполнение этих условий может привести к несчастному случаю.

• **Не разбирайте аккумулятор.** Имеется риск короткого замыкания.

• **Повреждение аккумулятора или его неправильное использование может привести к выделению паров. Обеспечьте доступ свежего воздуха в помещении; при наличии жалоб обратитесь за медицинской помощью.** Испарения могут вызывать раздражение дыхательной системы.

• **При повреждении аккумулятора жидкость может вытечь и попасть на находящиеся ря-**

**дом детали.** Проверьте состояние таких деталей. Очистите их от жидкости или, при необходимости, замените их.

• **Не допускайте перегрева аккумулятора, например, вследствие длительного воздействия солнечных лучей или огня.** Невыполнение этого условия может стать причиной взрыва аккумулятора.



**ВНИМАНИЕ! Прочтите все инструкции и рекомендации по безопасности.**

• **Оберегайте зарядное устройство от воздействия дождя и влаги.** Попадание воды в зарядное устройство увеличивает риск поражения электрическим током.

• **Используйте зарядное устройство для зарядки аккумуляторов только рекомендованного типа.** Данное зарядное устройство предназначено для зарядки только литий-ионных аккумуляторов в пределах указанного диапазона напряжения. При невыполнении этого требования существует опасность возгорания и взрыва.

• **Не допускайте загрязнения зарядного устройства.** Наличие грязи может привести к поражению электрическим током.

• **Перед использованием, каждый раз проверяйте состояние зарядного устройства, кабеля и разъемов. Не используйте зарядное устройство, имеющее какие-либо неисправности. Не разбирайте зарядное устройство самостоятельно, ремонт и обслуживание должны проводиться только квалифицированным персоналом с использованием оригинальных запчастей.** Повреждения зарядного устройства, кабеля и разъемов увеличивает риск поражения электрическим током.

• **Не используйте зарядное устройство на легко возгораемых поверхностях (например, на бумаге, тканях и т.д.) или в пожароопасной среде.** Во время процесса зарядки зарядное устройство нагревается и невыполнение этих требований может привести к возгоранию.

## Техническое обслуживание

• **Обслуживание Вашего электроинструмента должно производиться квалифицированными специалистами с использованием рекомендованных запасных частей.** Это дает гарантию, того что безопасность Вашего электроинструмента будет сохранена.

• **Соблюдайте инструкции по смазке, а также рекомендации по замене аксессуаров.**

## Особые указания по технике безопасности

• **При выполнении операций, при которых режущая принадлежность может задеть скрытую электропроводку или собственный кабель, держите электроинструмент только за рукоятки с изолированной поверхностью.** Касание режущей принадлежностью провода под напряжением, может привести к появлению напряжения в металлических частях электроинструмента и

стать причиной поражения оператора электрическим током.

• **Используйте средства защиты органов слуха.** При воздействии шума вероятна потеря слуха.

## Правила техники безопасности при эксплуатации электроинструмента

• **Закрепите обрабатываемую заготовку.** Для этого используйте фиксирующие устройства или тиски, это является более надежным, чем удержание обрабатываемой заготовки руками.

• **Асбест является канцерогенным материалом, поэтому запрещается обрабатывать асбестосодержащие заготовки.**

• **Электроинструмент можно класть только после полной остановки его движущихся элементов.** Установленная принадлежность может быть зажата во время работы, что приведет к потере управления электроинструментом.

• **Для определения положения скрытой электропроводки используйте подходящий детектор, либо получите эту информацию в соответствующих организациях.** Повреждение сверлом скрытой электропроводки может привести к возгоранию и поражению электрическим током. Повреждение газовой трубы может стать причиной взрыва. Повреждение водопроводных труб может нанести материальный ущерб.

• **В случае зажатия установленной принадлежности, отключите электроинструмент и сохраняйте спокойствие.** В это время электроинструмент производит чрезвычайно сильный реактивный крутящий момент, что приводит к отдаче. Принадлежности могут быть зажаты, например, из-за чрезмерного усилия нажатия или перекоса принадлежности во время работы.

• **При выполнении операций, при которых режущая принадлежность может задеть скрытую электропроводку или собственный кабель, держите электроинструмент только за рукоятки с изолированной поверхностью.** Касание режущей принадлежностью провода под напряжением, может привести к появлению напряжения в металлических частях электроинструмента и стать причиной поражения оператора электрическим током.

• **Во время работы крепко удерживайте электроинструмент руками и сохраняйте равновесие.**

• **При работе и использовании электроинструмента удерживайте включатель / выключатель на главной рукоятке.**

• **Избегайте остановки двигателя электроинструмента под нагрузкой.**

• **Запрещается удалять стружку, при включенном двигателе электроинструмента.**

• **Для более простой эксплуатации электроинструмента используйте только острые сверла без дефектов.**

• **Изменение конструкции сверла, а также использование съёмных насадок и приспособлений, не предусмотренных для данного электроинструмента, запрещается.**

• **При работе не оказывайте чрезмерного давления на электроинструмент это может привести к заклиниванию сверла, и перегрузке двигателя.**

• **Не допускайте заклинивания сверла в обрабатываемом материале.** В случае, если это произошло,




не пытайтесь высвободить их с помощью двигателя электроинструмента. Это может привести к выходу его из строя.

- Запрещается выбивать сверла, застрявшие в обрабатываемом материале, при помощи молотка или других предметов - отколовшиеся частицы металла могут нанести повреждения, как работающему, так и находящимся вблизи людям.
- Не допускайте перегрева электроинструмента при длительном использовании.

## Символы, используемые в инструкции

В руководстве по эксплуатации используются нижеприведенные символы, запомните их значение. Правильная интерпретация символов поможет использовать электроинструмент правильно и безопасно.

Символ	Значение
	Аккумуляторная дрель / винтовёрт
	<b>Наклейка с серийным номером:</b> CT ... - модель; XX - дата производства; XXXXXXX - серийный номер.
	Ознакомьтесь со всеми указаниями по технике безопасности и инструкциями.
	Носите защитные очки.
	Носите пылезащитную маску.
	Не нагревайте аккумулятор выше 45°C. Предхраняйте от длительного воздействия прямых солнечных лучей.
	Не выбрасывайте аккумулятор в бытовой мусор.
	Не бросайте аккумулятор в огонь.

Символ	Значение
	Не допускайте попадания аккумулятора под дождь.
	Время зарядки аккумулятора.
	Направление движения.
	Направление вращения.
	Заблокировано.
	Разблокировано.
	Знак, удостоверяющий, что изделие соответствует основным требованиям директив ЕС и гармонизированным стандартам Европейского Союза.
	Внимание. Важная информация.
	Полезная информация.
	Носите защитные перчатки.
	Положение регулятора крутящего момента: "Сверление".
	Бесступенчатая регулировка скорости.
	Не выбрасывайте электроинструмент в бытовой мусор.

## Назначение электроинструмента

Аккумуляторные дрели / шуруповёрты предназначены для сверления отверстий в древесине,

пластике, металле, а также для откручивания и закручивания резьбовых крепежных элементов (шурупов, винтов и пр.). **СТ21131HQPX** - в комплект поставки этой модели включены быстросъемные насадки (быстрозажимной сверлильный патрон, держатель принадлежности и угловой держатель принадлежности), которые позволяют вести работы в труднодоступных местах.

## Элементы устройства электроинструмента

- 1 Универсальный держатель принадлежности
- 2 LED фонарь
- 3 Регулятор крутящего момента
- 4 Ступенчатый переключатель скорости
- 5 Индикаторы степени заряда аккумулятора
- 6 Включатель / выключатель
- 7 Переключатель реверса
- 8 Вентиляционные отверстия
- 9 Скоба для ношения на ремне \*
- 10 Фиксатор аккумулятора \*
- 11 Аккумулятор \*
- 12 Быстросъемный сверлильный патрон \*
- 13 Быстросъемный держатель принадлежности \*
- 14 Быстросъемный угловой держатель принадлежности \*
- 15 Зарядное устройство \*
- 16 Быстрозажимной сверлильный патрон
- 17 Держатель принадлежности \*
- 18 Фиксирующая втулка
- 19 Фиксатор быстросъемной насадки \*
- 20 Отвертка-вставка \*
- 21 Винт
- 22 Магнитный держатель \*
- 23 Индикатор (зеленый) \*
- 24 Индикатор (красный) \*

\* Принадлежности

Перечисленные, а также изображенные принадлежности, частично не входят в комплект поставки.

## Монтаж и регулировка элементов электроинструмента

Перед проведением всех процедур установите переключатель реверса 7 в среднее положение.



Не затягивайте слишком сильно крепежные элементы, чтобы не повредить их резьбу.



Монтаж / демонтаж / настройка некоторых элементов аналогична для всех моделей электроинструментов, в этом случае на пояснительном рисунке конкретная модель не указывается.

Монтаж / замена быстросъемных насадок (см. рис. 1-3)

[СТ21131HQPX]

Быстросъемные насадки **12**, **13** или **14** расширяют область применения электроинструмента и позволяют вести работы в труднодоступных местах (см. рис. 2.2).

- Фиксатор **19** переместите вперед и удерживайте в этом положении (см. рис. 1.1).
- Установите одну из быстросъемных насадок **12**, **13** или **14** на универсальный держатель **1** (см. рис. 1.2).
- Отпустите фиксатор **19**.
- Демонтаж производите в обратной последовательности.
- Быстросъемный угловой держатель принадлежности **14** может быть установлен в различные положения (см. рис. 2.1).
- На быстросъемный угловой держатель принадлежности **14** могут быть установлены быстросъемный сверлильный патрон **12** и быстросъемный держатель принадлежности **13** (см. рис. 3).

Установка / замена принадлежности (см. рис. 4-8)

### [СТ21131HQPX]

• Если установлен универсальный держатель принадлежности **1**:

- Установку / замену отвертки-вставки **20** в универсальный держатель **1** выполняйте, как показано на рисунке 6. **Внимание: универсальный держатель принадлежности 1 имеет встроенный магнит, поэтому не рекомендуется устанавливать в него двухсторонние отвертки. Они не могут быть надежно зафиксированы в универсальном держателе принадлежности из-за малой площади контакта конца отвертки с магнитом, в тоже время конец отвертки может разрушить магнит.**

• Если установлен быстросъемный держатель принадлежности **13**:

- Фиксирующую втулку **18** переместите назад и удерживайте в этом положении (см. рис. 7).
- Установите / замените принадлежность. **Внимание: используйте принадлежности, имеющие кольцевую проточку на хвостовике - это обеспечит надежную фиксацию принадлежности в держателе 13.**
- Отпустите фиксирующую втулку **18**.

• Если установлен быстросъемный сверлильный патрон **12**:

- Разведите кулачки быстрозажимного патрона **12**, вращая его переднюю часть, как показано на рисунке 8.
- Установите / замените принадлежность.
- Не допускайте перекоса принадлежности, затяните быстрозажимной патрон **12**, как показано на рисунке 8.

Отвертки-вставки и магнитный держатель (см. рис. 11)

При использовании коротких отверток-вставок, для их надежной фиксации, используйте магнитный держатель **22** (см. рис. 11).

При использовании удлиненных отверток-вставок **20** (предназначенных специально для шуруповертов) магнитный держатель **22** не требуется.

## Зарядка аккумулятора электроинструмента

### Ввод в эксплуатацию электроинструмента

Электроинструмент поставляется с частично заряженным аккумулятором **11**. Перед первым использованием обязательно произведите полную зарядку аккумулятора **11**.

Процесс зарядки (см. рис. 13)

- Установите переключатель реверса **7** в среднее положение.
- Нажмите на фиксатор **10** и снимите аккумулятор **11** (см. рис. 13.1).
- Вставьте аккумулятор **11** в зарядное устройство **15** (см. рис. 13.2).
- Подключите зарядное устройство **15** к сети.
- Индикаторы **23** (зеленый) и **24** (красный) зарядного устройства информируют о ходе процесса зарядки аккумулятора **11**.
  - Зеленый индикатор **23** светится, аккумулятор **11** не вставлен в зарядное устройство **15** - зарядное устройство **15** подключено к сети (состояние готовности к зарядке).
  - Зеленый индикатор **23** мигает, аккумулятор **11** вставлен в зарядное устройство **15** - идет процесс зарядки аккумулятора **11**.
  - Зеленый индикатор **23** светится, аккумулятор **11** вставлен в зарядное устройство **15** - аккумулятор **11** полностью заряжен.
  - Красный индикатор **24** светится, аккумулятор **11** вставлен в зарядное устройство **15** - процесс зарядки аккумулятора **11** остановлен из-за неподходящего температурного режима. При нормализации температурного режима, процесс зарядки возобновится.
  - Красный индикатор **24** мигает, аккумулятор **11** вставлен в зарядное устройство **15** - процесс зарядки аккумулятора **11** остановлен из-за его неисправности. Замените неисправный аккумулятор **11**, его дальнейшее использование запрещено.



**В процессе зарядки аккумулятор **11** и зарядное устройство **15** нагреваются - это нормально.**

- Отключите зарядное устройство **15** от сети после завершения зарядки.
- Извлеките аккумулятор **11** из зарядного устройства **15** и установите аккумулятор **11** в электроинструмент (см. рис. 13.3).

## Включение / выключение электроинструмента

Убедитесь, что переключатель реверса **7** не находится в среднем положении, так как в этом случае включатель / выключатель **6** заблокирован.

**Включение:**

Нажмите включатель / выключатель **6**.

**Выключение:**

Отпустите включатель / выключатель **6**.

## Конструктивные особенности электроинструмента

### Аккумулятор

Аккумулятор **11** имеет систему защиты от глубокого разряда. При полном разряде аккумулятора **11** электроинструмент автоматически выключается. **Внимание: не пытайтесь включать электроинструмент при срабатывании защиты - вы можете повредить аккумулятор **11**.**

### Температурная защита

Температурная защита автоматически отключает электроинструмент при чрезмерной нагрузке, либо если температура аккумулятора **11** превышает 70°C. Это защищает электроинструмент от повреждения при несоблюдении условий эксплуатации.

### Индикаторы степени заряда аккумулятора (см. рис. 14)

При нажатии на включатель / выключатель **6** индикаторы **5** показывают степень зарядки аккумулятора **11** (см. рис. 14).

### LED фонарь

При нажатии включателя / выключателя **6**, автоматически включается LED фонарь **2**, который позволяет вести работы в условиях недостаточной освещенности.

### Регулятор крутящего момента

Вращайте регулятор **3**, чтобы установить одно из 21 значений крутящего момента, наиболее подходящее для выполняемой работы.



При сверлении, рекомендуется устанавливать регулятор крутящего момента **3** в положение "Сверление".

### Бесступенчатая регулировка скорости



Изменение оборотов от 0 до максимума, зависит от силы нажатия на включатель / выключатель **6**. Слабый нажим соответствует малому числу оборотов - это позволяет плавно включать электроинструмент.

### Ступенчатый регулятор скорости



**Внимание: изменение диапазона оборотов производите только после полной остановки двигателя.**

Для включения скорости "1" переместите переключатель **4** назад. Этот режим применяется для закручивания шурупов или для сверления отверстий большого диаметра.

Для включения скорости "2" переместите переключатель **4** вперед. Этот режим применяется для скоростного сверления отверстий малого диаметра.

## Реверс (см. рис. 15)



**Измените направление вращения только после полной остановки двигателя, в противном случае вы можете повредить электроинструмент.**

**Вращение вправо** (сверление, вкручивание шурупов) - переключатель реверса **7** переместите влево, как показано на рисунке 15.1.

**Вращение влево** (выкручивание шурупов) - переключатель реверса **7** переместите вправо, как показано на рисунке 15.2.

## Автоматическая блокировка шпинделя

Если выключатель / выключатель **6** не нажат, то шпиндель электроинструмента заблокирован - это позволяет использовать электроинструмент в качестве обычной отвертки (например, можно вручную затягивать винты или шурупы, если аккумулятор разрядился).

## Тормоз выбега

Тормоз выбега останавливает шпиндель электроинструмента сразу после выключения. Это исключает слишком сильную затяжку винтов и шурупов, предохраняет от повреждения заготовки, отвертки-вставки и шлицы крепежных элементов.

## Рекомендации при работе электроинструментом

### Сверление (см. рис. 16-17)

[ST21131HQX]

**(с установленным быстросъемным сверлильным патроном)]**

- При сверлении отверстий в металлах периодически смазывайте сверло (исключая сверление в цветных металлах и их сплавах).
- При сверлении твердых металлов сильнее нажимайте на электроинструмент и понижайте число оборотов.
- При сверлении в металле отверстия большого диаметра сначала просверлите отверстие меньшего диаметра, после чего рассверлите его до требуемого диаметра (см. рис. 16.1).
- При сверлении отверстий в древесине для предотвращения расщепления поверхности в месте выхода сверла выполните действия, показанные на рисунке 16.2.
- Чтобы уменьшить пылеобразование при сверлении отверстий в стенах и потолках, примите меры, показанные на рис. 17.

### Вкручивание шурупов (см. рис. 18)

- Для облегчения вкручивания шурупа и предотвращения появления трещин в заготовке предварительно просверлите отверстие диаметр которого составляет 2/3 от диаметра шурупа.

- Если вы соединяете заготовки при помощи шурупов, для того чтобы получить надежное соединение, без возникновения в заготовках трещин, сколов или расслоений, выполните действия, показанные на рисунке 18.

## Обслуживание / профилактика электроинструмента

**Перед проведением всех процедур установите переключатель реверса **7** в среднее положение.**

### Рекомендации по эксплуатации аккумулятора

- Своевременно заряжайте аккумулятор **11**, не дожидаясь его полной разрядки. Если при работе наблюдается падение мощности, необходимо прервать работу и зарядить аккумулятор **11**.
- Не заряжайте полностью заряженный аккумулятор **11**, это сократит срок его службы.
- Заряжайте аккумулятор **11** при температуре 10°C - 40°C (50°F - 104°F).
- Если электроинструмент не используется длительное время, заряжайте аккумулятор **11** раз в 6 месяцев.
- Своевременно заменяйте аккумуляторы, работавшие свой ресурс. Падение производительности или значительное сокращение времени работы электроинструментом после зарядки указывает на старение аккумулятора **11** и необходимость его замены. Также следует учитывать, что аккумулятор **11** может разряжаться быстрее, если работы ведутся при температуре ниже 0°C.
- При длительном хранении без использования рекомендуется хранить аккумулятор **11** при комнатной температуре, заряженным на 50% .

### Чистка электроинструмента

Обязательным условием для долгосрочной и безопасной эксплуатации электроинструмента является содержание его в чистоте. Регулярно продувайте электроинструмент сжатым воздухом через вентиляционные отверстия **8**.

### Послепродажное обслуживание

Ответы на вопросы по ремонту и обслуживанию вашего продукта вы можете получить в сервисных центрах. Информацию о сервисных центрах, схемы запчастей и информацию по запчастям Вы можете найти по адресу: [www.crown-tools.com](http://www.crown-tools.com).

### Транспортировка электроинструментов

- Не допускайте падения упаковки, а также любые механические воздействия на нее при транспортировке.
- При погрузке / разгрузке не используйте погрузочную технику, работающую по принципу зажима упаковки.

## Li-Ion аккумуляторы

На Li-Ion аккумуляторы распространяются специальные правила транспортировки опасных грузов. Нет необходимости соблюдения дополнительных норм только при перевозке аккумуляторов самим пользователем на автомобильном транспорте.

Соблюдайте особые требования к упаковке и маркировке при перевозке с привлечением третьих лиц (напр.: самолетом). В этом случае, при подготовке груза к отправке, необходимо участие эксперта по опасным грузам. Возможна отправка аккумуляторов только с неповрежденным корпусом. Необходимо изолировать открытые контакты и упаковать аккумулятор так, чтобы он не перемещался внутри упаковки. Также необходимо соблюдать дополнительные национальные предписания.

## Защита окружающей среды



### Вторичное использование сырья вместо устранения мусора.

Электроинструмент, дополнительные принадлежности и упаковку следует экологически чисто утилизировать.

В интересах чистосортной рециркуляции отходов детали из синтетических материалов соответственно обозначены.

Настоящее руководство по эксплуатации напечатано на бумаге, изготовленной из вторсырья без применения хлора.

## Технічні характеристики електроінструменту

Акумуляторна дріль / гвинтоверт Акумуляторний гвинтоверт		CT21131HQX	CT21131HQX-2
Номінальна напруга	[В]	20	20
Частота обертання холостого ходу:			
- перша передача	[хв <sup>-1</sup> ]	0-450	0-450
- друга передача	[хв <sup>-1</sup> ]	0-1850	0-1850
Тип акумулятора		—	Li-Ion
Місткість акумулятора	[Ач]	—	2
Макс. крутний момент (м'яка посадка / жорстка посадка)	[Нм]	30 / 50	30 / 50
Діапазон затиску свердловального патрона	[мм] [дюйми]	0,8-10 1/32"-3/8"	0,8-10 1/32"-3/8"
Максимальний Ø свердління:			
- сталь	[мм] [дюйми]	10 3/8"	10 3/8"
- дерево	[мм] [дюйми]	38 1-1/2"	38 1-1/2"
Макс. Ø закручуваних шурупів	[мм] [дюйми]	8 5/16"	8 5/16"

### Інформація про шум



Завжди використовуйте звукоізольційні навушники при рівні шуму понад 85 дБ(А).

EN 62841-1:2015,  
EN 62841-2-1:2018,  
EN 55014-1:2017,  
EN 55014-2:2015,

CE\* Відповідності необхідним нормам

Менеджер із  
сертифікації

Wu Cunzhen

Ми заявляємо під нашу одноособову відповідальність, що описаний у розділі "Технічні характеристики електроінструменту" продукт відповідає усім відповідним положенням Директив 2006/42/ЕС, включаючи їх зміни, а також наступним нормам:

\* - для електроінструментів з напругою 220-240 В.

Merit Link International AG  
Stabio, Швейцарія, 14.11.2023



**ПОПЕРЕДЖЕННЯ** - Щоб знизити ризик отримання травм, користувач повинен ознайомитися з керівництвом по експлуатації!

## Загальні правила техніки безпеки



**ПОПЕРЕДЖЕННЯ!** Уважно вивчіть усі попередження про техніку безпеки й інструкції, пояснювальні малюнки та специфікації, які постачаються разом із електроінструментом. Недотримання попереджень та інструкцій може призвести до ураження електричним струмом, займання і / або серйозних травм.

Збережіть всі попередження та інструкції для подальшого використання.

Термін "електроінструмент", який використовується в тексті попереджень, відноситься до електроінструменту з живленням від електромережі (продійний) або електроінструменту з живленням від акумулятора (бездротовий).

### Безпека робочого місця

- **Робоче місце повинно бути чистим і добре освітленим.** У захирачених або темних місцях вірогідні нещасні випадки.
- **Не використовуйте електроінструменти у вбухонебезпечних середовищах, наприклад, в присутності легкозаймистих рідин, газів або пилу.** Електроінструменти створюють іскри, які можуть призвести до займання пилу або парів.
- **Під час роботи електроінструмента не допускайте присутності дітей та інших осіб.** Відволікання уваги може призвести до втрати контролю.

### Рекомендації з електробезпеки

- **Вилки електроінструменту повинні підходити до розетки. Ніколи не вносьте зміни в конструкцію вилки. Не використовуйте адаптери з заземленими електроінструментами.** Вилки оригінальної конструкції і відповідні розетки зменшують ризик ураження електричним струмом.
- **Уникайте контакту з заземленими поверхнями, такими як труби, радіатори, плити та холодильники.** Це підвищує ризик ураження електричним струмом.
- **Не піддавайте електроінструмент впливу дощової води або вологи.** Попадання води в середину електроінструмента підвищує ризик ураження електричним струмом.
- **Не використовуйте електричний кабель в цілях, для яких він не призначений.** Ніколи не використовуйте кабель для перенесення електроінструменту, підтягання електроінструменту до себе або для вимкнення електроінструменту ривком за електричний кабель. Оберігайте електричний кабель від нагрівання, нафтопродуктів, гострих крайок або рухомих частин електроінструменту. Пошкоджений або спутаний електричний кабель збільшує небезпеку поразки електричним струмом.
- **При роботах на відкритому повітрі, використовуйте подовжувальні кабелі, призначені для зовнішніх робіт, це знизить небезпеку ураження електричним струмом.**

- **Якщо не можна уникнути роботи електроінструмента на ділянці з підвищеною вологістю, використовуйте пристрій захисного відключення (УЗО).** Використання УЗО знижує ризик ураження електричним струмом. **ПРИМІТКА!** Термін "УЗО (RCD)" може бути замінений терміном "пристрій захисного відключення (GFCI)" або "автоматичний вимикач з функцією захисту від струму витоку (ELCB)".
- **Увага!** Ніколи не торкайтеся до відкритих металевих поверхонь редуктора, захисного кожуха і т.д., оскільки на металеві поверхні впливають електромагнітні хвилі і торкання до них може призвести до травми або нещасного випадку.

### Рекомендації з особистої безпеки

- **Будьте пильними, стежте за тим, що ви робите, і при роботі з електроінструментом керуйтеся здоровим глуздом. Не використовуйте електроінструмент, якщо ви втомилися або перебуваєте під впливом наркотичних засобів, алкоголю або ліків.** Ослаблення уваги при роботі з електроінструментом може призвести до серйозної травми.
- **Використовуйте засоби індивідуального захисту. Завжди надівайте захисні окуляри.** Засоби індивідуального захисту, такі як пілозахисна маска, нековзне захисне взуття, каска або засоби захисту органів слуху, які використовуються у відповідних умовах, зменшують ймовірність отримання травм.
- **Не допускайте ненавминого запуску електроінструменту. Перед підключенням до джерела живлення та / або акумулятора, підняттям або перенесенням електроінструменту переконайтеся, що вимикач / вимикач знаходиться у вимкненому стані.** Переміщення електроінструменту, коли палець знаходиться на вимикачі / вимикачі, або ввімкнення живлення електроінструментів з включенням вимикачем / вимикачем може стати причиною нещасного випадку.
- **Перед ввімкненням необхідно прибрати з частин електроінструменту, що обертаються, всі додаткові ключі і пристосування.** Ключ, залишений в частині електроінструменту, що обертається, може бути причиною серйозних травм.
- **Не докладайте надмірних зусиль. Завжди зберігайте стійке положення і рівновагу.** Це дозволяє краще контролювати електроінструмент у непередбачуваних ситуаціях.
- **Носіть відповідний одяг. Не вдягайте вільний одяг або прикраси. Тримайте волосся, одяг і рукавиці далеко від рухомих деталей.** Вільний одяг, прикраси або довге волосся можуть бути захоплені рухомими частинами електроінструменту, що стане причиною серйозних травм.
- **Якщо в конструкції електроінструменту передбачена можливість для підключення пиловловлюючих і пилозбірних пристроїв, переконайтеся, що вони підключені і правильно використовуються.** Використання таких пристроїв зменшує небезпеки, пов'язані з накопиченням пилу.
- **Завжди будьте уважні, не ігноруйте принципи безпечної роботи з електроінструментом через знання і досвід, отримані внаслідок частого користування електроінструментом.** Необережна дія може негайно призвести до серйозних травм.
- **Увага!** Електроінструмент створює під час роботи електромагнітне поле. За деяких обставин, це поле може чинити негативний вплив на активні або пасивні медичні імплантати. Щоб зменшити ризик

заподіяння серйозної шкоди здоров'ю або травми з летальним наслідком, людям з медичними імплантатами, перед початком експлуатації електроінструмента, рекомендується проконсультуватися з лікарем і виробником медичного імплантату.

## Використовування і обслуговування електроінструмента

- Люди з недостатніми психофізичними або розумовими здібностями і діти не можуть управляти електроінструментом, якщо людина, яка відповідає за їх безпеку, не контролює їх чи не інструкує щодо використання електроінструмента.
- **Не перевантажуйте електроінструмент. Використовуйте електроінструмент, який відповідає вашій цілі використання.** Відповідний електроінструмент буде працювати краще і безпечніше з тією продуктивністю, для якої він був спроектований.
- **Не працюйте електроінструментом з несправним вмикачем / вимикачем.** Електроінструмент, ввімкнення / вимкнення якого не може контролюватися, становить небезпеку і повинен бути негайно відремонтований.
- **Перед виконанням будь-яких налаштувань, заміною приладдя або зберіганням електроінструментів - від'єднайте вилку від джерела живлення і / або акумулятор від електроінструменту.** Ці заходи безпеки знижують ризик випадкового запуску електроінструмента.
- **Зберігайте невикористовувані електроінструменти в недоступному для дітей місці і не дозволяйте особам, які не ознайомилися з електроінструментом або цими інструкціями, використовувати електроінструмент.** Електроінструменти небезпечні в руках не підготовлених користувачів.
- **Слідкуйте за станом електроінструменту. Перевіряйте осьове биття і надійність з'єднання рухомих деталей, а також будь-які несправності, які можуть вивести електроінструмент з ладу.** Несправний електроінструмент необхідно відремонтувати перед використанням. Багато нещасних випадків виникають через поганий стан електроінструменту.
- **Ріжучі інструменти повинні знаходитися в чистоті і бути добре заточеними.** Правильно встановлені ріжучі інструменти з гострими ріжучими кромками зменшують можливість заклинювання і полегшують управління електроінструментом.
- **Використовуйте електроінструмент, приладдя, насадку і т.п. відповідно до інструкцій, беручи до уваги умови роботи і виконувати роботи.** Використання електроінструмента для операцій, для яких він не призначений, може призвести до небезпечної ситуації.
- **Підтримуйте рукоятки і поверхні захоплення сухими, чистими і вільними від масла і мастила.** Слизькі рукоятки і поверхні захоплення перешкоджають безпечному поводженню з електроінструментом і управління ним в несподіваних ситуаціях.
- **Зверніть увагу, що при роботі з електроінструментом необхідно правильно тримати допоміжну рукоятку; виконання цієї вимоги полегшує управління електроінструментом.** Таким чином, правильне утримання електроінструменту може знизити ризик нещасних випадків або травм.

## Використання акумуляторних інструментів та догляд за ними

- **Заряджайте акумулятор тільки за допомогою зарядного пристрою, передбаченого виробником.** Зарядний пристрій, що підходить для одного типу акумуляторів, може створити ризик пожежі при використанні з іншим типом акумуляторів.
- **Використовуйте електроінструменти тільки з акумуляторами, призначеними для них.** Використання будь-яких інших акумуляторів може створити ризик поломки або пожежі.
- **Коли акумулятор не використовується, зберігайте його окремо від інших металевих предметів, таких як канцелярські скріпки, монети, ключі, цвяхи, гайки та інші дрібні металеві предмети, які можуть створити контакт між клемми акумулятору.** Коротке замикання на клеммах акумулятора може викликати обпід або пожежу.
- **За неналежних умов, електроліт може вилитися з акумулятору; уникайте контакту з ним.** Якщо контакт випадково відбувся, промийте шкіру водою. Якщо електроліт потрапив в очі, додатково зверніться по медичну допомогу. Електроліт з акумулятору може викликати свербіж або обпід.
- **Уникайте ненавмисного включення.** Перш, ніж вставляти акумулятор, переконайтеся в тому, що вмикач знаходиться у вимкненому положенні. Якщо при носінні електроінструменту ви тримаєте палець на вмикачі, або якщо ви вставляєте акумулятор у включений електроінструмент, це може призвести до нещасних випадків.
- **Не відчиняйте акумулятор.** Небезпека замикання.
- **У разі ушкодження та неналежного використання акумулятору, може виділятися пара.** Забезпечте доступ свіжого повітря і зверніться по медичну допомогу у разі потреби. Пара може подразнювати дихальну систему.
- **Якщо акумулятор бракований, електроліт може вилитися і вступити в контакт з прилеглими компонентами.** Перевірте усі відповідні деталі. Очистіть такі деталі або замініть їх, якщо потребується.
- **Захищайте акумулятор від нагрівання, наприклад, від постійного сонячного випромінювання і від вогню.** Є ризик вибуху.



**УВАГА! Прочитайте усі попередження про дотримання техніки безпеки та усі інструкції.**

- **Захищайте зарядний пристрій акумулятору від дощу та вологи.** Проникнення води в зарядний пристрій акумулятору підвищує ризик ураження електричним струмом.
- **Не заряджайте інші акумулятори.** Зарядний пристрій акумулятору підходить тільки для зарядки літєво - іонних акумуляторів вказаного діапазону напруги. Інакше виникає ризик пожежі або вибуху.
- **Зберігайте зарядний пристрій акумулятору в чистому стані.** Забруднення може стати причиною ураження електричним струмом.
- **Перед кожним використанням перевіряйте зарядний пристрій акумулятору, кабель і вилку.** Не використовуйте зарядний пристрій акумулятору, якщо виявлені дефекти. Самостійно

не відкривайте зарядний пристрій акумулятору і ремонтуйте його тільки у кваліфікованих фахівцях. Пошкоджені зарядні пристрої, кабелі і вилки підвищують ризик ураження електричним струмом.

- **Не використовуйте зарядний пристрій акумулятору на легкозаймистих поверхнях (наприклад, папір, тканина і так далі) або в пожежо-небезпечному середовищі.** Є небезпека пожежі через нагрівання зарядного пристрою в процесі зарядки.

### Технічне обслуговування

- **Обслуговувати Ваш електроінструмент повинні кваліфіковані фахівці з використанням рекомендованих запасних частин.** Це дає гарантію, що безпека Вашого електроінструменту буде збережена.
- Дотримуйтесь інструкції по змащуванню, а також рекомендації по заміні аксесуарів.

### Особливі вказівки з техніки безпеки

- **Тримайте електроінструмент за ізольовані поверхні захвату під час робіт, коли ріжучий механізм може контактувати з прихованою електропроводкою або власним шнуром.** Контакт ріжучого механізму з проводом під напругою може призвести до появи напруги в незахищених металевих частинах електроінструменту та ураження оператора електричним струмом.
- **Носіть захисні навушники.** Шум може призвести до втрати слуху.

### Правила техніки безпеки при експлуатації електроінструмента

- **Оброблювана деталь має бути закріпленою.** Для закріплення оброблюваної деталі використовуйте фіксовані пристрої або тиски. Це безпечніше, ніж тримати оброблювальну деталь руками.
- **Беручи до уваги, що азбест може призвести до захворювання на рак, матеріали, які містять азбест, не повинні оброблятися.**
- **Електроінструмент можна класти лише після повної зупинки його деталей.** Під час роботи можливе защемлення комплектуючої деталі на електроінструменті. Це може ускладнити контроль над електроінструментом.
- **Для виявлення розташування прихованих дротів живлення використовуйте відповідний детектор.** Ви також можете отримати необхідну інформацію в місцевому відділі служби електропостачання. Пошкодження дрелем дротів живлення призведе до пожежі та ураження електричним струмом. Пошкодження газової труби призведе до вибуху. Пробій водопровідних труб призведе до пошкодження майна.
- **У випадку защемлення комплектуючої деталі на електроінструменті вимкніть електроприлад і не робіть більше ніяких дій.** В цей час електроінструмент генерує надвисокий обертальний момент, що призводить до зворотного ходу. Защемлення комплектуючої деталі на електроінструменті можливе, наприклад, у таких випадках: гіперзаряд електро-

інструменту або зміщення комплектуючої деталі під час роботи.

- **Якщо приховані дроти живлення або електропроводка самого електроінструменту можуть бути перерізані під час експлуатації електроінструменту, тримайте його за ізольовану рукоятку.** Якщо електроінструмент торкнеться дроту під напругою, металеві деталі електроінструменту почнуть проводити електричний струм, що призведе до ураження оператора електричним струмом.
- **Під час роботи міцно тримайте електроінструмент та займіть стійке положення.** Тримайте електроінструмент руками.
- **Під час експлуатації електроінструменту ви можете його тримати лише за головну рукоятку, а не за інші деталі.**
- **Уникайте вимкнення навантаженого двигуна електроінструменту.**
- **Ніколи не виймайте осколки та уламки при ввімкненому двигуні електроінструменту.**
- **Використовуйте тільки вироби без дефектів - це спростить роботу з електроінструментами.**
- **Внесення змін до конструкції свердел та використання змінних насадок та комплектуючих деталей, які не передбачені для цього електроінструменту, суворо заборонено.**
- **Під час роботи з електроінструментом не створюйте надмірний тиск - це може призвести до затиснення свердла та перевантажити двигун.**
- **Уникайте затиснення свердла в оброблюваному матеріалі.** Якщо це сталося, не намагайтеся вийняти його за допомогою двигуна електроінструменту. Це може вивести електроінструмент з ладу.
- **Вививати затиснуте в оброблюваному матеріалі свердло за допомогою молотка та інших предметів суворо заборонено.** Металеві уламки можуть поранити як оператора, так і оточуючих людей.
- **Уникайте перегрівання електроінструменту під час його використання впродовж тривалого часу.**

### Символи, що використовуються в інструкції

В інструкції використовуються нижченаведені символи, запам'ятайте їх значення. Правильна інтерпретація символів допоможе використовувати електроінструмент правильно і безпечно.

Символ	Значення
	Акумуляторна дріль / гвинтоверт
	Наклейка з серійним номером: СТ ... - модель; XX - дата виробництва; XXXXXXXX - серійний номер.

Символ	Значення
	Ознайомтесь з усіма вказівками з техніки безпеки та інструкціями.
	Носіть захисні окуляри.
	Носіть пилозахисну маску.
	Не нагрівайте акумулятор вище 45°C. Захищайте від тривалого впливу прямих сонячних променів.
	Не викидайте акумулятор в побутове сміття.
	Не кидайте акумулятор у вогонь.
	Не допускайте попадання акумулятора під дощ.
	Час зарядки акумулятора.
	Напрямок руху.
	Напрямок обертання.
	Заблоковано.
	Розблоковано.
	Знак, який засвідчує, що виріб відповідає основним вимогам директив ЄС та гармонізованим стандартам Європейського Союзу.
	Увага. Важлива інформація.

Символ	Значення
	Корисна інформація.
	Носіть захисні рукавиці.
	Положення регулятора обертового моменту: "Свердління".
	Плавне регулювання швидкості.
	Не викидайте електроінструмент в побутове сміття.

## Призначення електроінструменту

Акумуляторні дрилі / шурупверти призначені для свердління отворів в деревині, пластику, металі, а також для відкручування та закручування різьбових кріпильних елементів (шурупів, гвинтів та ін.). **СТ21131HGX** - в комплект поставки цієї моделі включені швидкоз'ємні насадки (швидкозажимний свердильний патрон, тримач приладдя та кутовий тримач приладдя), які дозволяють вести роботи в важкодоступних місцях.

## Елементи пристрою електроінструменту

- 1 Універсальний тримач приладдя
- 2 LED ліхтар
- 3 Регулятор обертового моменту
- 4 Ступінчастий перемикач швидкості
- 5 Індикатори ступеня заряду акумулятора
- 6 Вмикач / вимикач
- 7 Перемикач реверсу
- 8 Вентиляційні отвори
- 9 Скоба для носіння на ремені \*
- 10 Фіксатор акумулятора \*
- 11 Акумулятор \*
- 12 Швидкоз'ємний свердильний патрон \*
- 13 Швидкоз'ємний тримач приладдя \*
- 14 Швидкоз'ємний кутовий тримач приладдя \*
- 15 Зарядний пристрій \*
- 16 Швидкозатискний свердлувальний патрон
- 17 Утримувач приладдя \*
- 18 Фіксуєча втулка
- 19 Фіксатор швидкоз'ємної насадки \*
- 20 Викрутка-вставка \*
- 21 Гвинт
- 22 Магнітний утримувач \*

- 23 Індикатор (зелений) \*
- 24 Індикатор (червоний) \*

\* Приналежності

Перераховані, а також зображені принадлежности, частково не входять у комплект постачання.

## Монтаж та регулювання елементів електроінструменту

Перед проведенням всіх процедур встановіть перемикач реверсу 7 в середнє положення.



Не затягуйте дуже сильно кріпильні елементи, щоб не пошкодити їх різьблення.



Монтаж / демонтаж / налаштування деяких елементів аналогічне для усіх моделей електроінструментів, в цьому випадку на малюнку пояснення конкретна модель не вказується.

Монтаж / заміна швидкоз'ємних насадок (див. мал. 1-3)

### [СТ21131HGX]

Швидкоз'ємні насадки 12, 13 або 14 розширюють область застосування електроінструменту та дозволяють вести роботи у важкодоступних місцях (див. мал. 2.2).

- Фіксатор 19 перемістіть вперед і утримуйте в цьому положенні (див. мал. 1.1).
- Встановіть одну з швидкоз'ємних насадок 12, 13 або 14 на універсальний тримач 1 (див. мал. 1.2).
- Відпустіть фіксатор 19.
- Демонтаж робіть у зворотній послідовності.
- Швидкоз'ємний кутувий тримач приладдя 14 може бути встановлений в різні положення (див. мал. 2.1).
- На швидкоз'ємний кутувий тримач приладдя 14 можуть бути встановлені швидкоз'ємний свердильний патрон 12 і швидкоз'ємний тримач приладдя 13 (див. мал. 3).

Установка / заміна приладдя (див. мал. 4-8)

### [СТ21131HGX]

- Якщо встановлено універсальний тримач приладдя 1:
  - Установку / заміну викрутки-вставки 20 в універсальний тримач 1 виконуйте, як показано на малюнку 6. **Увага: універсальний тримач приладдя 1 має вбудований магніт, тому не рекомендується встановлювати в нього двосторонні викрутки. Вони не можуть бути надійно зафіксовані в універсальному тримачі приладдя через малу площу контакту кінця викрутки з магнітом, в той же час кінець викрутки може зруйнувати магніт.**
- Якщо встановлений швидкоз'ємний тримач приладдя 13:
  - Фіксууючу втулку 18 перемістіть назад і утримуйте в цьому положенні (див. мал. 7).

- Встановіть / замініть приладдя. **Увага: використовуйте приладдя, що мають кільцеву проточку на хвостовику - це забезпечить надійну фіксацію приладдя в тримачі 13.**
- Відпустіть фіксууючу втулку 18.

• Якщо встановлений швидкоз'ємний свердильний патрон 12:

- Розведіть кулачки швидкозатискного патрона 12, обертаючи його передню частину, як показано на малюнку 8.
- Встановіть / замініть приладдя.
- Не допускаючи перекосу приладдя, затягніть швидко затискний патрон 12, як показано на малюнку 8.

Викрутка-вставка / магнітний утримувач (див. мал. 11)

При використанні коротких викруток-вставок, для їх надійної фіксації, використовуйте магнітний утримувач 22 (див. мал. 11).

При використанні подовжених викруток-вставок 20 (призначених спеціально для шруповертів) магнітний утримувач 22 не потрібно.

## Зарядка акумулятора електроінструменту

Введення у експлуатацію електроінструмента

Електроінструмент поставляється з частково зарядженим акумулятором 11. Перед першим використанням обов'язково проведіть повну зарядку акумулятора 11.

Процес зарядки (див. мал. 13)

- Встановіть перемикач реверсу 7 в середнє положення.
- Натисніть на фіксатор 10 і зніміть акумулятор 11 (див. мал. 13.1).
- Вставте акумулятор 11 в зарядний пристрій 15 (див. мал. 13.2).
- Підключіть зарядний пристрій 15 до мережі.
- Індикатори 23 (зелений) і 24 (червоний) зарядного пристрою інформують про хід процесу зарядки акумулятора 11.
  - Зелений індикатор 23 світиться, акумулятор 11 не вставлено у зарядний пристрій 15 - зарядний пристрій 15 підключено до мережі (стан готовності до зарядки).
  - Зелений індикатор 23 блимає, акумулятор 11 вставлений в зарядний пристрій 15 - йде процес зарядки акумулятора 11.
  - Зелений індикатор 23 світиться, акумулятор 11 вставлений в зарядний пристрій 15 - акумулятор 11 повністю заряджений.
  - Червоний індикатор 24 світиться, акумулятор 11 вставлений в зарядний пристрій 15 - процес зарядки акумулятора 11 зупинений через невідповідний температурний режим. При нормалізації температурного режиму, процес зарядки відновиться.
  - Червоний індикатор 24 блимає, акумулятор 11 вставлений в зарядний пристрій 15 - процес зарядки акумулятора 11 зупинений через його несправність. Замініть несправний акумулятор 11, його подальше використання заборонено.



**В процесі зарядки акумулятор 11 і зарядний пристрій 15 нагріваються - це нормально.**

- Від'єднайте зарядний пристрій 15 від мережі після завершення зарядки.
- Вийміть акумулятор 11 з зарядного пристрою 15 і встановіть акумулятор 11 в електроінструмент (див. мал. 13.3).

## Вмикання / вимикання електроінструмента

Переконайтеся, що перемикач реверсу 7 не знаходиться в середньому положенні, оскільки в цьому випадку вмикач / вимикач 6 заблокований.

### Включення:

Вмикач 6 натиснути.

### Вимикання:

Вмикач 6 відпустити.

## Конструктивні особливості електроінструменту

### Акумулятор

Акумулятор 11 має систему захисту від глибокого розряду. При повному розряді акумулятора 11 електроінструмент автоматично вимикається. **Увага: не намагайтеся включати електроінструмент при спрацьовуванні захисту - ви можете пошкодити акумулятор 11.**

### Температурний захист

Температурний захист автоматично відключає електроінструмент при надмірному навантаженні, або якщо температура акумулятора 11 перевищує 70°C. Це захищає електроінструмент від пошкодження при недотриманні умов експлуатації.

### Індикатори ступеня заряду акумулятора (див. мал. 14)

При натисканні на вмикач / вимикач 6 індикатори 5 показують ступінь зарядки акумулятора 11 (див. мал. 14).

### LED ліхтар

При включенні електроінструменту за допомогою вмикача / вимикача 6, автоматично включається LED ліхтар 2, який дозволяє вести роботи в умовах недостатньої освітленості.

### Регулятор обертального моменту

Обертайте регулятор 3, щоб встановити одне з 21 значень обертального моменту, найбільш відповідне для виконуваної роботи.



При свердленні, рекомендується встановлювати регулятор обертального моменту, 3 в положення "Свердлення".

## Безступінчатє регулювання швидкості



Зміна оборотів від 0 до максимуму, залежить від сили натиснення на вмикач / вимикач 6. Слабкий натиск відповідає малому числу оборотів, що дозволяє плавно включати електроінструмент.

## Ступінчастий регулятор швидкості



**Увага: зміну діапазону оборотів проводити тільки після повної зупинки двигуна.**

Для включення швидкості "1" пересуньте перемикач 4 назад. Цей режим застосовується для закручування шурупів або для свердлення отворів великого діаметру.

Для включення швидкості "2" пересуньте перемикач 4 вперед. Цей режим застосовується для швидкісного свердлення отворів малого діаметру.

## Реверс (див. мал. 15)



**Змінійте напрям обертання тільки після повної зупинки двигуна, інакше ви можете пошкодити електроінструмент.**

**Обертання управо** (свердлення, укручування шурупів) - перемикач реверсу 7 перемістите вліво, як показано на мал. 15.1.

**Обертання вліво** (викручування шурупів) - перемикач реверсу 7 перемістите управо, як показано на мал. 15.2.

## Автоматичне блокування шпинделя

Якщо вмикач / вимикач 6 не натиснутий, то шпиндель електроінструменту заблокований - це дозволяє використовувати електроінструмент як звичайну викрутку (наприклад, можна уручну затягувати гвинти або шурупи, якщо акумулятор розрядився).

## Гальмо вибега

Гальмо вибігання зупиняє шпиндель електроінструмента відразу після вимкнення. Це виключає дуже сильне затягування гвинтів і шурупів, оберігає від пошкодження заготовки, викрутки-вставки і шліці кріпильних елементів.

## Рекомендації при роботі електроінструментом

### Свердління (див. мал. 16-17)

[СТ21131HGX]

## (зі встановленим швидкоз'єсним свердлильним патроном)]

- При свердленні отворів в металах періодично змащуйте свердло (виключаючи свердлення в кольорових металах і їх сплавах).
- При свердленні твердих металів сильніше натискайте на електроінструмент і знизуйте число оборотів.
- При свердленні в металі отвору великого діаметру спочатку просвердлите отвір меншого діаметру, після чого розсвердлите його до необхідного діаметру (див. мал. 16.1).
- При свердленні отворів в деревині для запобігання розщеплюванню поверхні в місці виходу свердла виконаєте дії, показані на малюнку 16.2.
- Щоб зменшити пилообразование при свердленні отворів в стінах і стелях, прийміть заходи, показані на мал. 17.

## Укручування шурупів (див. мал. 18)

- Для полегшення укручування шурупа і запобігання появи тріщин в заготівці заздалегідь просвердлите отвір діаметр якого складає 2/3 від діаметру шурупа.
- Якщо ви сполучаєте заготовки за допомогою шурупів, для того, щоб отримати надійне з'єднання, без виникнення в заготовках тріщин, сколовши або розшарувань, виконаєте дії, показані на малюнку 18.

## Обслуговування / профілактика електроінструмента

Перед проведенням всіх процедур встановіть перемикач реверсу 7 в середнє положення.

### Рекомендації по експлуатації акумулятора

- Своєчасно заряджайте акумулятор 11, не чекаючи його повної розрядки. Якщо при роботі спостерігається падіння потужності, необхідно перервати роботу і зарядити акумулятор 11.
- Не заряджайте повністю заряджений акумулятор 11, це скоротить термін його служби.
- Заряджайте акумулятор 11 при температурі 10°C - 40°C (50°F - 104°F).
- Якщо електроінструмент не використовується тривалий час, заряджайте акумулятор 11 кожні 6 місяців.
- Своєчасно замінійте акумулятори, що виробили свій ресурс. Падіння продуктивності або значне скорочення часу роботи електроінструментом після зарядки указує на старіння акумулятора 11 і необхідність його заміни. Також слід враховувати, що акумулятор 11 може розряджатися швидше, якщо роботи ведуться при температурі нижче 0°C.

- При тривалому зберіганні без використання рекомендується зберігати акумулятор 11 при кімнатній температурі, зарядженим на 50% .

## Чищення електроінструменту

Обов'язковою умовою для довгострокової і безпечної експлуатації електроінструменту є вміст його в чистоті. Регулярно продувайте електроінструмент стислим повітрям через вентиляційні отвори 8.

## Післяпродажне обслуговування

Відповіді на питання щодо ремонту та обслуговування вашого продукту Ви можете отримати в сервісних центрах. Інформацію про сервісні центри, схеми запчастин та інформацію по запчастинах Ви можете знайти за адресою: [www.crown-tools.com](http://www.crown-tools.com).

## Транспортування електроінструменту

- Не допускайте падіння упаковки, а також будь-якого механічного впливу на неї транспортуванні.
- При завантаженні / розвантаженні не використовуйте навантажувальну техніку що працює за принципом затиску упаковки.

## Li-Ion акумулятори

На Li-Ion акумулятори поширюються спеціальні правила транспортування небезпечних вантажів. Немає необхідності дотримання додаткових норм тільки при перевезенні акумуляторів самим користувачем на автомобільному транспорті. Дотримуйтесь особливих вимог до упаковки і маркування при перевезенні із залученням третіх осіб (напр.: літаком). У цьому випадку, при підготовці вантажу до відправлення, необхідна участь експерта по небезпечним вантажам. Можлива відправка акумуляторів тільки з неушкодженим корпусом. Необхідно ізолювати відкриті контакти і упакувати акумулятор так, щоб він не переміщувався всередині упаковки. Також необхідно дотримуватись додаткових національних приписів.

## Захист навколишнього середовища



### Переробка сировини замість утилізації відходів.

Електроінструмент, додаткові приналежності й упакування варто екологічно чисто утилізувати.

В інтересах чистосортної рециркуляції відходів деталі із синтетичних матеріалів відповідно позначені. Дійсний посібник з експлуатації надрукований на папері, виготовленій з вторсировини без застосування хлору.

## Қозғалтқыш құралдың сипаттамалары

Сымсыз бұрғы / бұрауыш Сымсыз бұрауыш		СТ21131HQX	СТ21131HQX-2
Номиналды кернеу	[В]	20	20
<b>Жүктемесіз жылдамдық:</b>			
- төменгі беріліс	[мин <sup>-1</sup> ]	0-450	0-450
- екінші беріліс	[мин <sup>-1</sup> ]	0-1850	0-1850
Батарея түрі		—	Li-Ion
Батарея қуаты	[Асағ]	—	2
Макс. айналдыру моменті (жұмсақ / қатты)	[Нм]	30 / 50	30 / 50
Тарту патронының қысу қарқыны	[мм] [дюйм]	0,8-10 1/32"-3/8"	0,8-10 1/32"-3/8"
<b>Бұрғылау күші:</b>			
- болат	[мм] [дюйм]	10 3/8"	10 3/8"
- ағаш	[мм] [дюйм]	38 1-1/2"	38 1-1/2"
Бұrandаның ең көп диаметрі	[мм] [дюйм]	8 5/16"	8 5/16"

### Шу туралы ақпарат



Дыбыс қысымы осетін болса,  
әрдайым қысым қулақ қорғаушысын  
киіңіз 85 дБ(А)

### CE\* Сәйкестік жөнінде мәлімдеме

Жеке жауапкершілікпен біз "Қозғалтқыш құралдың сипаттамалары" де сипатталған өнімнің 2006/42/ЕС ережелеріндегі барлық тиісті анықтамаларына өзгерістері менен бірге сәйкес екенін және төмендегі нормаларға сай екенін кепілдендіреміз:

EN 62841-1:2015,  
EN 62841-2-1:2018,  
EN 55014-1:2017,  
EN 55014-2:2015,  
Сертификаттау  
менеджері

Wu Cunzhen

\* - кернеуі 220-240 В болатын қуат құралдары үшін.

Merit Link International AG  
Stabio, Швейцария, 14.11.2023



**ЕСКЕРТУ - Жарақат қаупін азайту үшін пайдаланушы пайдалану нұсқаулығын оқып шығуы керек!**

## Жалпы қауіпсіздік ережелері



**ЕСКЕРТУ!** Осы электр құралымен берілген барлық қауіпсіздік ескертулерін, нұсқауларды, суреттерді және сипаттамаларды оқыңыз.

Ескертулер мен нұсқауларды орындамау тоқ соғуына, өртке және / немесе ауыр жарақатқа әкелуі мүмкін.

**Барлық ескертулер мен нұсқауларды болашақта анықтама алу үшін сақтап қойыңыз.**

Ескертулердегі "электр құрал" термині желіден жұмыс істейтін (сымды) электр құралын немесе батареядан жұмыс істейтін (сымсыз) электр құралын білдіреді.

### Жұмыс аумағының қауіпсіздігі

- Жұмыс аумағын таза және жақсы жарықтандырылған күйде ұстаңыз. Ретсіз немесе күңгірт аумақтар сәтсіз жағдайларға әкеледі.
- Электр құралдарды жарылғыш атмосфераларда пайдаланбаңыз, мысалы, тұтанғыш сұйықтықтар, газдар немесе шаң бар жерде. Электр құралдар шаңды немесе түтіндерді тұтандыруы мүмкін ушықандарды тудырады.

- Электр құралды пайдалану кезінде балаларды және маңайдағы адамдарды аулақ ұстаңыз. Алаңдату басқаруды жоғалтуға әкелуі мүмкін.

### Электр қауіпсіздігі

- Электр құралдардың ашалары розеткаға сәйкес болуы керек. Ашаны ешқашан ешбір түрде өзгертуге болмайды. Жерге қосылған электр құралдарымен бірге ешбір адаптер ашасын пайдалануға болмайды. Өзгертілмеген ашалар және сәйкес розеткалар тоқ соғу қаупін азайтады.

- Құбырлар, жылытқыштар, ауқымдар және тоңазытқыштар сияқты жерге қосылған беттерге дененің тиюін болдырмаңыз. Денеңіз жерге қосылған болса, тоқ соғу қаупі артады.

- Электр құралдарына жаңбырдың немесе ылғалды жағдайлардың әсерін тигізбеңіз. Электр құралға кіретін су тоқ соғу қаупін арттырады.

- Сымды дұрыс емес пайдалануға болмайды. Сымды электр құралды ұстап жүру, тарту немесе розеткадан ажырату үшін ешқашан пайдаланбаңыз. Сымды жылудан, майдан, үшкір жиектерден немесе қозғалатын бөліктерден аулақ ұстаңыз. Зақымдалған немесе шатасқан сымдар тоқ соғу қаупін арттырады.

- Электр құралды сыртта пайдаланғанда сыртта пайдалануға жарамды ұзартқыш сымды пайдаланыңыз. Сыртта пайдалануға жарамды сымды пайдалану тоқ соғу қаупін азайтады.

- Электр құралды ылғалды орында пайдалану керек болса, қалдық тоқтан қорғау құралын пайдалану тоқ соғу қаупін азайтады. **ЕСКЕРТПЕ!** "Қалдық тоқтан қорғау құралы (RCD)" термині "жерге қысқа тұйықталу өшіргіші (GFCI)" немесе "жерге аққан кездегі тізбек ажыратқышы (ELCB)" терминімен ауыстырылуы мүмкін.

- **Ескерту!** Редуктордағы, қалқандағы және т.с.с. ашық металл беттерге ешқашан тимеңіз, өйткені металл беттерге тию электромагниттік толқындарға кедергі келтіріп, осылайша жарақаттарға немесе сәтсіз жағдайларға әкелуі мүмкін.

## Жеке қауіпсіздік

- Электр құралды пайдаланып жатқанда қырағы болыңыз, істеп жатқаныңызды қадағалаңыз және дұрыс ақылды пайдаланыңыз. Электр құралды шаршап тұрғанда, я болмаса, есірткілердің, алкогольдің немесе дәрінің әсерінде болғанда пайдалануға болмайды. Электр құралдарын пайдалану кезінде бір сәт зейін бөлмеу ауыр жарақатқа әкелуі мүмкін.

- Жеке қорғағыш жабдықты пайдаланыңыз. Өрқашан кезді қорғау құралын киіңіз. Тиісті жағдайлар үшін пайдаланылатын шаң маскасы, сырғымайтын қауіпсіздік аяқ киімі, қатты қалпақ немесе естуді қорғау құралы сияқты қорғағыш жабдықтарды азайтады.

- Кездейсоқ іске қосылуды болдырмаңыз. Құралды қуат көзіне және / немесе батареялар жинағына қосу, көтеру немесе ұстап жүру алдында қосқыш өшірулі күйде екеніне көз жеткізіңіз. Электр құралды саусақты қосқышқа қойып ұстап жүру немесе қосқышы қосулы күйдегі электр құралдарына қуат беру сәтсіз жағдайларға әкеледі.

- Электр құралын қосу алдында кез келген реттеу кілтін алыңыз. Электр құралдың айналатын бөлігіне жалғанған күйде қалдырылған кілт жарақатқа әкелуі мүмкін.

- Қатты жақындалмаңыз. Өрқашан тиісті қалыпты және теңгерімді сақтаңыз. Бұл күтпеген жағдайларда электр құралын жақсырақ басқаруға мүмкіндік береді.

- Тиісті киімді киіңіз. Бос киімді немесе зергерлік бұйымдарды кимеңіз. Шашты, киімді және қолғапты қозғалатын бөліктерден аулақ ұстаңыз. Бос киім, зергерлік бұйымдар немесе ұзын шаш қозғалатын бөліктерде тұрып қалуы мүмкін.

- Шанды шығарып алу және жинау құралдары қамтамасыз етілген болса, бұларды қосуды және тиісті түрде пайдалануды қамтамасыз етіңіз. Шаң жинауды пайдалану шаңға қатысты қауіптерді азайтады.

- Құралдарды жиі пайдаланудан алынған таныстықтың сізді масаттануға және құрал қауіпсіздігі принциптерін елемеуге әкелуіне жол бермеңіз. Абайсыз әрекет секундтың бір бөліінде ауыр жарақаттауы мүмкін.

- **Ескерту!** Пайдалану кезінде электр құралдар электромагниттік өріс тудырады. Кейбір жағдайларда бұл өріс белсенді немесе пассивті медициналық имплантаттарға кедергі келтіруі мүмкін. Ауыр немесе өлімге әкелетін жарақатты болдырмау үшін медициналық имплантаттары бар адамдарға осы электр құралды пайдалану алдында дәрігермен және медициналық имплантат өндірушісімен кеңесу ұсынылады.

### Электр құралды пайдалану және күту

- Психофизикалық немесе ақыл-ой қабілеттері төмен адамдар, сонымен бірге балалар бұл электр құралды тек қауіпсіздігіне жауапты адам қадағаласа немесе электр құралды пайдалану туралы нұсқаулар берсе, пайдалана алады.

- Электр құралға күш түсірмеңіз. Жағдайға сай дұрыс электр құралын пайдаланыңыз. Дұрыс электр құралы өзі арналған жылдамдықпен жұмысты жақсырақ және қауіпсіздеу орындайды.

- Қосқыш қоспаса және өшірмесе, электр құралды пайдалануға болмайды. Қосқышпен

басқару мүмкін емес кез келген электр құрал қауіпті және жөнделуі керек.

- Кез келген реттеулерді жасау, қосалқы құралдарды ауыстыру немесе электр құралдарды сақтауға қою алдында ашаны қуат көзінен және / немесе батареялар жинағын электр құралдан ажыратыңыз. Мұндай алдыналауға арналған сақтық шаралары электр құралының кездейсоқ іске қосылуы қауіпін азайтады.

- Жұмыссыз тұрған электр құралдарын балалардан аулақ ұстаңыз және электр құралмен немесе осы нұсқаулармен таныс емес адамдарға электр құралын пайдалануға рұқсат етпеңіз. Электр құралдар оқытылмаған пайдаланушылардың қолдарында қауіпті болады.

- Электр құралдарына техникалық қызмет көрсетіңіз. Қозғалатын бөліктердің қате туралануы немесе тұрып қалуы, сынған бөліктер және электр құралдың жұмысына әсер етуі мүмкін кез келген басқа жағдай бар-жоғын тексеріңіз. Зақымдалса, пайдалану алдында электр құралын жөндетіңіз. Көп сәтсіз жағдайларды нашар техникалық қызмет көрсетілетін электр құралдары тудырады.

- Кесу құралдарын өткір және таза күйде ұстаңыз. Тиісті түрде техникалық қызмет көрсетілетін, үшкір кесу жиектері бар кесу құралдарының тұрып қалу ықтималдығы азырақ және оларды басқару оңайырақ.

- Электр құралын, қосалқы құралдарды және құралдың кескіштерін, т.б. Осы нұсқауларға сай, жұмыс жағдайларын және орындалатын жұмысты ескере отырып пайдаланыңыз. Электр құралды көрсетілгеннен басқа әрекеттер үшін пайдалану қауіпті жағдайға әкелуі мүмкін.

- Тұтқаларды және ұстайтын беттерді құрғақ, таза және май емес күйде ұстаңыз. Жылпылдақ тұтқалар және ұстайтын беттер күтпеген жағдайларда құралды қауіпсіз ұстауға және басқаруға мүмкіндік бермейді.

- Электр құралды пайдаланғанда қосымша тұтқаны дұрыс ұстаңыз. Бұл электр құралын басқарғанда пайдалы. Сондықтан дұрыс ұстау сәтсіз жағдайлардың немесе жарақаттардың қауіпін азайтады.

## Батарея құралын пайдалану және күту

- Тек өндіруші көрсеткен зарядтағышпен зарядтаңыз. Батарея жинағының бір түріне арналған зарядтағыш басқа батарея жинағымен бірге пайдаланғанда, қауіп төндіруі мүмкін.

- Электр құралдарын тек арнайы белгіленген батарея жинақтарымен бірге пайдаланыңыз. Кез келген басқа батарея жинақтарын пайдалану жарақат алу және өрт қауіпін төндіруі мүмкін.

- Пайдаланылмайтын кезде батарея жинағын бір клемма мен екіншісін қосуы мүмкін қыстырғыштар, тиындар, кілттер, шегелер, бұрандалар сияқты басқа металл заттардан немесе басқа шағын металл заттардан аулақ ұстаңыз. Батарея клеммаларын тұйықтау күйіктерге немесе өртке әкелуі мүмкін.

- Сырты зақымдалған жағдайларда батареядан сұйықтық шығуы мүмкін. Оған тиіменіз. Егер оған кездейсоқ тисеңіз, сумен шайыңыз. Егер сұйықтық көздерге тисе, оған қоса медициналық көмекке жүгініңіз. Батареядан шыққан сұйықтық тітіркенуді немесе күйіктерді тудыруы мүмкін.

- Кездейсоқ қосылуын болдырмаңыз. Батарея жинағын салу алдында қосу / өшіру қосқышы өшірілу күйінде екеніне көз жеткізіңіз. Электр құралды қосу / өшіру қосқышына саусақты қойып ұстау немесе қосылып тұрған электр құралдарға батарея жинағын салу сәтсіз жағдайларға әкеледі.

- Батареяны аспаңыз. Қысқа тұйықталу қауіп бар.
- Батарея зақымдалса және дұрыс емес пайдаланылса, бұлар шығуы мүмкін. Ыңғайсыздық сезген жағдайларда таза ауаны қамтамасыз етіңіз және медициналық көмекке жүгініңіз. Бұлар тыныс алу жүйесін тітіркендіруі мүмкін.

- Батарея ақаулы болса, сұйықтық шығуы және маңайдағы құрамдастарға тиюі мүмкін. Қатысты кез келген бөліктерді тексеріңіз. Мұндай бөліктерді қажетінше тазалаңыз немесе ауыстырыңыз.

- Батареяны жылудан, мысалы, үздіксіз күн сәулесінен және өрттен де қорғаңыз. Жарылыс қауіп бар.



**ЕСКЕРТУ!** Барлық қауіпсіздік туралы ескертулерді және барлық нұсқауларды оқып шығыңыз.

- Зарядтағышты жаңбыр мен ылғалдан қорғаңыз. Зарядтағышқа судың кіруі тоқ соғу қауіпін арттырады.

- Басқа батареяларды зарядтауға болмайды. Зарядтағыш тек тізімдегі кернеу ауқымы бар литий - ионды батареяларды зарядтауға арналған. Әйтпесе өрт және жарылыс қауіп бар.

- Зарядтағышты таза күйде ұстаңыз. Ластану тоқ соғу қауіпін тудыруы мүмкін.

- Пайдалану алдында зарядтағышты, кабельді және ашаны тексеріңіз. Ақаулар анықталғанда зарядтағышты пайдалануға болмайды. Зарядтағышты өзіңіз аспаңыз және оны тек түпнұсқалық қосалқы бөлшектерді пайдаланатын білікті мамандарға жөндетіңіз. Зақымдалған зарядтағыштар, кабельдер және ашалар тоқ соғу қауіпін арттырады.

- Зарядтағышты оңай тұтанатын беттерде (мысалы: қағаз, тоқыма мата, т.б.) немесе жанғыш орталарда пайдалануға болмайды. Зарядтау кезінде зарядтағыштың қызуына байланысты өрт қауіп бар.

## Қызмет көрсету

- Электр құралына білікті жөндеу маманы түпнұсқалық ауыстыру бөлшектерін пайдаланып қызмет көрсетуі керек. Бұл электр құралының қауіпсіздігін сақтауды қамтамасыз етеді.
- Майлау және қосалқы құралдарды ауыстыру туралы нұсқауларды орындаңыз.

## Арнайы қауіпсіздік туралы ескертулер

- Кесу қосалқы құралы жасырын сымдарға немесе өзінің сымына тиюі мүмкін әрекетті орындау кезінде электр құралды оқшауланған ұстайтын беттерінен ұстаңыз. Тоқ бар сымға тиген кесу қосалқы құралы электр құралдың ашық металл бөліктерінен тоқ өтуіне әкеліп, операторды тоқ соғуы мүмкін.

- Қорғағыш құлаққапты киіңіз. Шудың әсері есту қабілетінің жоғалуына әкелуі мүмкін.

## Электр құралды пайдалану кезіндегі қауіпсіздік туралы нұсқаулар

- Дайындаманы бекіту керек. Дайындаманы бекіту үшін бекітілген құралдарды немесе қысқышты пайдалану керек. Бұл дайындаманы қолдармен ұстаудан қауіпсіздеу болады.
- Асбест қатерлі ісікті тудыруы мүмкін болғандықтан, асбестті қамтитын материалдарды өңдемеу керек.
- Электр құралды бөліктері қозғалысын толығымен тоқтатқанда ғана қою керек. Жұмыс кезінде электр құралдың қосалқы құралы қысылып қалып, электр құралды басқаруды қиындатуы мүмкін.
- Жасырын қуат сымдарының орнын табу үшін тиісті детекторды пайдалану керек. Я болмаса, жергілікті қуатпен қамту компаниясынан қатысты ақпаратты алу керек. Электр сымдарын бұрғылау өртке және тоқ соғуына әкеледі. Зақымдалған газ құбыры жарылысқа әкеледі. Су құбырлары тесілсе, мүлік зақымдалады.
- Электр құралда орнатылған қосалқы құрал қысылып қалса, электр құралды өшіру және қозғалмау керек. Бұл кезде электр құрал өте жоғары реактивті айналу моментін тудырып, осылайша кері тебуге әкеледі. Мысалы, электр құралда орнатылған қосалқы құрал мына жағдайда қысылуы мүмкін: электр құралды артық зарядтау немесе жұмыс кезінде электр құралда орнатылған қосалқы құралдың ауытқуы.
- Жасырын электр сымдар немесе электр құралының өзінің қуат желілері жұмыс кезінде кесілуі мүмкін болса, электр құралын пайдалану үшін оқшауланған тұтқадан ұстау керек. Электр құрал тоғы бар желіге тисе, электр құралындағы металл бөліктер тоқты өткізеді және операторды тоқ соғуы мүмкін.
- Жұмыс кезінде электр құралын қатты ұстау және жерде нық тұруды қамтамасыз ету керек. Электр құралын қолдармен ұстау керек.
- Электр құралды пайдаланғанда басқа бөліктерді емес, тек негізгі тұтқаның қосқыш күйін ұстауға болады.
- Жүктеме бар кезде электр құралының моторын тоқтатпаңыз.
- Электр құралдың моторы жұмыс істеп тұрғанда жаңқаларды немесе бөлшектерді ешқашан алмаңыз.
- Ақауларсыз қосалқы құралдарды пайдаланыңыз. Бұл электр құралмен жұмыс істеуді жеңілдетеді.
- Бұрғы дизайнын өзгерту және осы электр құралына арналмаған алынбалы саптамаларды және қосалқы құралдарды пайдалануға қатаң түрде тыйым салынады.
- Электр құралын пайдалану кезінде артық қысым түсірмеңіз. Бұл бұрғының тұрып қалуына және қозғалтқышқа артық жүктеме түсуіне әкелуі мүмкін.
- Бұрғылардың өңделетін материалда тұрып қалуына жол бермеңіз. Бұл орын алса, оларды электр құралының қозғалтқышы арқылы босатуға тырыспаңыз. Бұл электр құралын істен шығаруы мүмкін.
- Өңделетін материалда тұрып қалған бұрғыны балғамен немесе басқа заттармен ұрып шығаруға қатаң түрде тыйым салынады. Металл бөлшектері операторды да, маңайдағы адамдарды да жарақаттауы мүмкін.
- Ұзақ пайдаланғанда электр құралының артық қызуына жол бермеңіз.

## Нұсқаулықта қолданылатын таңбалар

Пайдалану нұсқаулығында төменде берілген таңбалар қоладнылады, олардың мағынасын есте сақтаңыз. Таңбаларды дұрыс түсіндіру электр құралды дұрыс және қауіпсіз қолдануға көмектеседі.

Таңба	Мағына
	<b>Сымсыз бұрғы / бұрауыш</b>
	<b>Сериялық нөмір бар жапсырма:</b> СТ ... - үлгі; XX - өндіру күні; XXXXXXX - сериялық нөмір.
	Қауіпсіздік техникасы туралы барлық нұсқаулармен және нұсқаулармен танысыңыз.
	Қорғағыш көзілдірікті киіңіз.
	Шаңнан қорғайтын масканы киіңіз.
	Аккумуляторды 45°C-тан жоғары қыздырмаңыз. Оны тік күн сәулелерінің ұзақ әсерінен қорғаңыз.
	Аккумуляторды тұрмыстық қоқысқа лақтырмаңыз.
	Аккумуляторды отқа лақтырмаңыз.
	Аккумулятордың жаңбыр астына түсуіне жол бермеңіз.
	Батареяны зарядтау уақыты.
	Қозғалыс бағыты.

Таңба	Мағына
	Айналу бағыты.
	Бұғатталған.
	Бұғаттаудан шығарылған.
	Бұйым ЕО директиваларының негізгі талаптарына және Еуропалық Одақтың үйлестірілген стандарттарына сай екенін куәландыратын белгі.
	Назар аударыңыз. Маңызды ақпарат.
	Пайдалы ақпарат.
	Қорғағыш қолғапты киіңіз.
	Айналу моменті реттегішінің күйі: "Бұрғылау".
	Қадамсыз жылдамдықты реттеу.
	Электр құралды тұрмыстық қоқысқа лақтырмаңыз.

## Қозғалтқыш құралын қолдану салалары

Электр құралы ағаш, пластик және металл беттерде саңылауларды бұрғылау, сондай-ақ, оймалы бекемдеу элементтерін (бұрандалар, болттар, т.б.) бұрау және бұрап алу үшін арналған. **СТ21131NQX** үлгісі - қолды жеткізу қиын жерлерде жұмыс істеу мүмкіндігін беретін саптамалары (кілтсіз патрон, құрал ұстағышы және бұрыштық құрал ұстағышы) жылдам ауыстырылатын құрал.

## Қозғалтқыш құралдың құрамдастары

- 1 Өмбебап құрал ұстағышы
- 2 ЖШД шамы
- 3 Күш моментін реттеуші
- 4 Жылдамдық қадамдарын ауыстырып-қосқыш
- 5 Батареяны зарядтау күйінің индикаторы
- 6 Қосу / өшіру батырмасы
- 7 Реверсивтік ауыстырып-қосқыш
- 8 Ауа алмасатын тесіктер
- 9 Белдік қыстырғышы \*
- 10 Батарея құлпы \*
- 11 Батарея \*
- 12 Жылдам ауыстырылатын кілтсіз патрон \*
- 13 Жылдам ауыстырылатын құрал ұстағышы \*
- 14 Жылдам ауыстырылатын бұрыштық құрал ұстағышы \*
- 15 Зарядтағыш \*
- 16 Кілтсіз патрон
- 17 Құрал ұстағыш \*
- 18 Бекітілген төлке
- 19 Жылдам ауыстырылатын саптама құлпы \*
- 20 Бұрағыштың жүзі \*
- 21 Бұранда
- 22 Магниттік ұстағыш \*
- 23 Индикатор (жасыл) \*
- 24 Индикатор (қызыл) \*

\* Қосымша құрамдастар

Кейбір суреттелген немесе сипатталған құрамдастар стандарттық жабдықтау ретінде қосылмаған.

## Қозғалтқыш құралдың бөлшектерін орнату және жөнге салу

Кез келген шараларды орындамай тұрып, кері қосқышты 7 ортаға әкеліңіз.



Бекіткіш бөлшектер бұрандаларын бұзып алмау үшін тым қатты тартпаңыз.



Кейбір элементтерді бекіту / шығару / орнату жолдары барлық қозғалтқыш құралдарда бірдей, бұл жағдайда ерекше модельдер суреттелмеген.

Жылдам ауыстырылатын керек-жарақтарды орнату / ауыстыру (1-3 сур. қараңыз)

### [СТ21131NQX]

Жылдам ауыстырылатын **12**, **13** немесе **14** саптамалары электр құралдың қолдану аясын кеңейтіп, қолды жеткізу қиын жерлерде жұмыс істеу мүмкіндігін береді (2.2 сур. қараңыз).

- **19** құлпын алға жылжытып, орнында ұстап тұрыңыз (1.1 сур. қараңыз).
- Жылдам ауыстырылатын **12**, **13** немесе **14** саптамаларының бірін өмбебап құрал ұстағышына орнатыңыз (1.2 сур. қараңыз).
- Құлыпты **19** жіберіңіз.
- Бөлшектеу үшін сипатталған қадамдарды кері ретпен орындаңыз.

- Жылдам ауыстырылатын бұрыштық құрал ұстағышы **14** түрлі күйлерде орнатыла алады (2.1 сур. қараңыз).
- Жылдам ауыстырылатын кілтсіз патрон **12** және жылдам ауыстырлатын құрал ұстағышы **13** (3 сур. қараңыз) жылдам ауыстырылатын бұрыштық құрал ұстағышына **14** орнатыла алады.

## Жарақтарды орнату / ауыстыру (4-8 сур. қараңыз)

[СТ21131НQH]

- **Әмбебап құрал ұстағышы 1 орнатылған кезде:**
  - 6 сур.көрсетілгендей, әмбебап құрал ұстағышына **1** 20-тіркеме бұрауышын орнатыңыз / ауыстырып қойыңыз. **Назар аударыңыз: әмбебап құрал ұстағышының 1 кірістірілген магнит бар, сондықтан оған екі жақты бұрауыштарды орнатуға болмайды. Бұллар бұрауштың шеті мен магниттің арасында жеткіліксіз жанасу аумағына байланысты әмбебап құрал ұстағышында 1 бекем орнатыла алмайды және осымен қатар, бұрауыш магнитті зақымдауы мүмкін.**
- **Жылдам ауыстырылатын құрал ұстағышы 13 орнатылған кезде:**
  - Бекіту шайбасын **18** артқа жылжытып, орнында ұстап тұрыңыз (7 сур. қараңыз).
  - Керек-жарақты орнатыңыз / ауыстырыңыз. **Назар аударыңыз: стержень шетінде домалақ оймасы бар керек-жарақтарды қолданыңыз, бұл керек-жарақтың құрал ұстағышында 13 бекем орнатылуын қамтамасыз етеді.**
  - Бекіту шайбасын **18** жіберіңіз.

## Жылдам ауыстырылатын кілтсіз патрон 12 орнатылған кезде:

- Кілтсіз патронның **12** қысқыштарын 8 сур. көрсетілгендей бұрау арқылы ашыңыз.
- Керек-жарақты орнатыңыз / ауыстырыңыз.
- 8 сур. көрсетілгендей, керек-жарақты қозғалтпай, кілтсіз патронды **12** бекемдеңіз.

## Бұрағыштың жүзі / магниттік ұстағыш (11 сур. қараңыз)

Қысқа бұрағыштың жүзіне оны жақсылап бекіту үшін магниттік ұстағышты **22** қолданыңыз (11 сур. қараңыз).

Магниттік ұстағыш **22** ұзартылған бұрағыш үшін **20** (әдейі бұрағыштарға арналып жасалған) керегі жоқ.

## Электр құралының батареясын зарядтау тәртібі

### Қозғалтқыш құралды алғашқы рет іске қосу

Электр құрал зарядталмаған батареямен **11** қамтамасыз етіледі. Бірінші рет пайдалану алдында батареяны **11** толығымен зарядтау керек.

### Зарядтау үдерісі (13 сур. қараңыз)

- Кері қосқышты **7** ортаға әкеліңіз.
- Батарея құлпын **10** басып, батареяны **11** алыңыз (13.1 сур. қараңыз).
- Батареяны **11** зарядтағышқа **15** салыңыз (13.2

сур. қараңыз).

- Зарядтағышты **15** қуат көзіне жалғаңыз.
- Зарядтау құралының индикаторлары **23** (жасыл) және **24** (қызыл) батареяның **11** зарядталуын білдіреді.

- Жасыл индикатор **23** жанғанда бұл батареяның **11** зарядтау құралына **15** салынбағанын - зарядтау құралының **15** қуат көзіне қосулы тұрғанын (зарядталуға дайын) білдіреді.

- Батарея индикатор **23** жыпылықтағанда бұл батареяның зарядтау құралына **15** салынғанын - батареяның **11** зарядталуын білдіреді.

- Жасыл индикатор **23** жанғанда бұл батареяның зарядтау құралына **15** салынғанын - батареяның **11** толық зарядталғанын білдіреді.

- Қызыл индикатор **24** жанғанда бұл батареяның зарядтау құралына **15** салынғанын - батареяның зарядталуы сәйкес емес температураға байланысты тоқтатылғанын білдіреді. Температура деңгейі қалыпты мәнге жеткенде зарядталу жалғасады.

- Қызыл индикатор **24** жыпылықтағанда бұл батареяның зарядтау құралына **15** салынғанын - батареяның зарядталуы оның зақымдалуына байланысты тоқтатылғанын білдіреді. Ақаулы батареяны **11** ауыстырыңыз, оны қайта пайдалануға болмайды.



**Зарядтау барысында батарея 11 және зарядтағыш 15 қызады, бұл қалыпты үдеріс.**

- Зарядтаудан кейін зарядтағышты **15** қуат көзінен ажыратыңыз.
- Батареяны **11** зарядтағыштан **15** алып, батареяны **11** электр құралға бекітіңіз (13.3 сур. қараңыз).

## Қозғалтқыш құралды қосу / өшіру

Реверсивтік ауыстырып-қосқыш **7** ортада тұрмағанына көз жеткізіңіз; бұл қосу / ажырату қосқышты **6** құрсаулайды.

### Қосу:

Қосу / ажырату қосқышты **6** басыңыз.

### Өшіру:

Қосу / ажырату қосқышты **6** жіберіңіз.

## Қозғалтқыш құралдың дизайн мүмкіндіктері

### Батарея

Батарея **11** терең зарядсызданудан қауіпсіздік жүйесімен қорғалған. Толық зарядсыздану жағдайында электр құрал автоматты түрде өшеді. **Назар аударыңыз: қорғау жүйесі белсендірілген кезде электр құралды қосуға тырыспаңыз, батарея 11 зақымдалуы мүмкін.**

### Температурадан қорғау

Температурадан қорғау жүйесі артық жүктеме жағдайында немесе батарея температурасы **11** 70°C-тан асса, электр құралдың

автоматты түрде өшуінге мүмкіндік береді. Бұл жүйе пайдалану жағдайларына сай болмаған жағдайда электр құралды қорғайды.

### Батарея зарядталу күйінің индикаторлары (14 сур. қараңыз)

Қосу / өшіру 6 түймесін басу арқылы индикаторлар 5 батареяның 11 зарядталу күйін көрсетеді (14 сур. қараңыз).

### ЖШД шамы

Қосу / өшіру қосқышын 6 басқанда, ЖШД шам 2 автоматты түрде қосылады. Бұл жұмыстарды жарық аз жағдайларда өткізуге мүмкіндік береді.

### Күш моментін реттеуші

Реттеушіні 3 21 күш моментінің мәннің жасалып жатқан жұмысқа ең лайықты біреуін орнату үшін айналдырыңыз.



Реттеушіні 3 бұрғылау үшін "Бұрғылау" режиміне орнату ұсынылады.

### Жылдамдықты ретсіз лайықтау



Жылдамдықты қосу / ажырату қосқышты 6 басып 0-ден максималды мәнне дейін бақылауға болады. Ақырын басса ол аз айналады, сонда қозғалтқыш құрылғы ақырын қосылады.

### Жылдамдық қадамдарын ауыстырып - қосқыш



**Байқаңыз: минутына айналу күшін тек қозғалтқыш толығымен тоқтағанда ғана ауыстыруға болады.**

"1" берілісіне қою үшін, 4 қосқышын артқа жылжытыңыз. Бұл режим бұрандаларды бекіту үшін немесе диаметрі үлкен тесіктерді бұрғылау үшін қолданылады.

"2" берілісін таңдау үшін, 4 қосқышын алға жылжытыңыз. Бұл режим жылдам бұрғылау үшін немесе диаметрі кішкентай тесіктерді бұрғылау үшін қолданылады.

### Айналдыру бағытын ауыстыру (15 сур. қараңыз)



**Айналдыру бағытын тек қозғалтқыш толығымен тоқтағанда ауыстырыңыз, әйтпесе ол қозғалтқыш құрылғының бұзылуына әкелуі мүмкін.**

Сағат тілі жүрісі бойынша айналу (бұрғылау, бұрандаларды бекіту) - реверсивтік ауыстырып-қосқышты 7 15.1 сур. көрсетілгендей солға қарай жылжытыңыз.

Сағат тілі жүрісіне қарсы айналу (бұрандаларды бұрап шығару) - реверсивтік ауыстырып-қосқышты 7 15.2 сур. көрсетілгендей оңға қарай жылжытыңыз.

### Білікті автоматты түрде құрсаулау

Қосу-өшіру қосқышы 6 басылмаса, элеттр құралдың шпинделі құлыпталады. Бұл элеттр құралды кәдімгі бұрауыш ретінде пайдалануға мүмкіндік береді (мысалы, оны батарея заряды төмен болса, бұрандаларды немесе болттарды қолмен бекемдеу үшін пайдалануға болады).

### Жұмысты үзу

Электр құралы өшірілгеннен кейін тежеуіш ажыратқышы шпиндельді дереу тоқтатады. Бұл болттарды және бұрандаларды артық бекемдеуді болдырмауға көмектеседі, әрі заттардың, бұрауыш биталарының және бекіту элементтері саңылауларының зақымдалуын болдырмайды.

### Қозғалтқыш құралды қолданубойынша ұсыныстар

#### Бұрғылау (16-17 сур. қараңыз)

##### [СТ21131NHQ]

(жылдам ауыстырылатын кілтсіз патрон орнатылған кезде)]

- Металл затта тесік бұрғылағанда (түсті металл және оның қорытпаларын қоспағанда) үнемі бұрғыны біраз майлап тұрыңыз.
- Қатты металлдарды бұрғылаған кезде көбірек күш қосыңыз және төменірек айналу жылдамдығын орнатыңыз.
- Металл затта диаметрі үлкен тесік бұрғылаған кезде, алғашында диаметрі кішкентай тесік бұрғылап оны керекті мөлшерге дейін үлкейтеңіз (16.1 сур. қараңыз).
- Ағашта тесік бұрғылаған кезде бұрғының шығу жерінде жарылыс пайда болмау үшін 16.2 сур. көрсетілген нұсқауларды орындаңыз.
- Қабырға немесе төбені бұрғылаған кезде шығатын шаңды азайту үшін 17 сур. көрсетілген нұсқауларды орындаңыз.

#### Бұрандаларды бұрғылау (18 сур. қараңыз)

- Бұрандаларды бекіту үшін және бұйым жарылып кетпеу үшін, алдымен диаметрі бұранданың диаметрі 2/3 бөлігіне тең тесікті бұрғылаңыз.
- Егер сіз бұйымдарды бір біріне бұрандалар арқылы қоссаңыз, оны мықтылап қосу үшін сур. көрсетілген әрекетті 18 жасаңыз.

### Қозғалтқыш құралды жөндеу / алдын алу шаралары

Кез келген шараларды орындамай тұрып, кері қосқышты 7 ортаға әкеліңіз.

#### Батареяны күту туралы нұсқаулық

- Батарея 11 толығымен таусылмай тұрып уақтылы зарядтаңыз. Қуат төмен болса пайдалануды тоқтатыңыз және дереу зарядтаңыз.
- Батарея 11 толы кезде артық зарядтамаңыз, әйтпесе бұл қызмет көрсету уақытын қысқартады.
- Батареяны 11 10°C - 40°C (50°F - 104°F) бөлме температурасында зарядтаңыз.

- Ұзақ уақыт бойы жұмыс істемесе, батареяны **11** алты ай сайын зарядтаңыз.
- Тозған батареяларды уақтылы ауыстырыңыз. Зарядтаудан кейін электр құралдың өнімділігінің төмендеуі немесе айтарлықтай қысқарақ жұмыс уақыты батарея **11** ескіргенін және ауыстыру қажеттілігін көрсетеді. Жұмыстар 0°C-тан төмен температурада орын алса, батарея **11** тезірек зарядсыздануы мүмкін екенін ескеру керек.
- Пайдаланбастан ұзақ уақыт бойы сақтаған жағдайда батареяны **11** бөлме температурасында сақтау ұсынылады, оны 50%-ға дейін зарядтау керек.

### Қозғалтқыш құралды тазалау

Құрылғыны ұзақ уақыт қолданудың маңызды талабы - оны таза ұстау. Құрылғыны әрдайым сығылған ауамен ауа алмасатын тесіктерінен үрлеп тазартып тұрыңыз **8**.

### Сатудан кейінгі қызмет және өтінім бойынша қызмет

Біздің сатудан кейінгі қызмет өнімге техникалық қызмет көрсетуге және оны жөндеуге, сонымен бірге, қосалқы бөлшектерге қатысты сұрақтарыңызға жауап береді. Сондай-ақ, сервистік орталықтар туралы ақпаратты, бөліктердің диаграммаларын және қосалқы бөлшектер туралы ақпаратты мына бетте табуға болады: [www.crown-tools.com](http://www.crown-tools.com).

### Электр құралдарын тасымалдау

- Тасымалдау кезінде қаптамаға ешбір механикалық әсерді тигізуге болмайды.

- Жүкті түсіргенде / жүктегенде қысып орау қағидатымен жұмыс істейтін ешбір технология түрін пайдалануға рұқсат етілмеген.

### Li-ion батареялары

Қамтылған Li-ion батареяларына қауіпті тауарлар заңнамасының талаптары қолданылады. Пайдаланушы қосымша талаптарсыз батареяларды жолда тасымалдай алады. Үшінші тараптар тасымалдап жатқанда (мыс.: ауамен тасымалдау немесе экспедиторлық агенттігі) қаптамаға және жапсырмаларға қатысты арнайы талаптарды сақтау керек. Жөнелтіліп жатқан затты дайындау үшін қауіпті материал туралы маманнан кеңес алу қажет. Батареяларды тек корпусы зақымдалмаған кезде жіберіңіз. Ашық түйіспелердің лентасын немесе маскасын алыңыз және батареяны қаптамада жылжыту мүмкін болмайтындай ораңыз. Сондай-ақ, егжей-тегжейлірек болуы мүмкін ұлттық ережелерді сақтаңыз.

### Қоршаған ортаны сақтау



**Шикізатты қоқыс ретінде пайдаға асырудың орнына қайта қолдануға жіберіңіз.**

■ Электр құралы, жарақаттар және бума қоршаған ортаға зиянсыз қайда қолдануға жіберілуі керек.

Пластикалық компоненттер сыныпталған қайта қолдану үшін белгіленген.

Бұл нұсқаулар қайта қолданылатын хлорин қосылмаған қағазда басып шығарылған.

Өндіруші өзгерістер енгізуі мүмкін.

Қазақ тілі

# ელექტროხელსაწყოს ტექნიკური დახასიათება

აკუმულატორიანი დრელი / შურუფის სახრახნისი აკუმულატორიანი შურუფის სახრახნისი		CT21131HQX	CT21131HQX-2
ნომინალური ძაბვა	[ვ]	20	20
უქმე სვლის ბრუნვების რიცხვი:			
- პირველი გადაცემა	[წთ <sup>-1</sup> ]	0-450	0-450
- მეორე გადაცემა	[წთ <sup>-1</sup> ]	0-1850	0-1850
აკუმულატორის ტიპი		—	Li-Ion
აკუმულატორის ტევადობა	[ასთ]	—	2
მაქს. მზრუნავი მომენტი (რბილი დაჯდომა / ხისტი დაჯდომა)	[მმ]	30 / 50	30 / 50
საბურღი ვაზნის მომჭერის დიაპაზონი	[დუიმები]	0,8-10 1/32"-3/8"	0,8-10 1/32"-3/8"

## ბურღვის მაქსიმალური დიამეტრი:

- ფოლადის	[მმ] [დუიმები]	10 3/8"	10 3/8"
- ხის	[მმ] [დუიმები]	38 1-1/2"	38 1-1/2"
ჩასახრახნი შურუფების მაქსიმალური დიამეტრი	[მმ] [დუიმები]	8 5/16"	8 5/16"

## ინფორმაცია ხმაურზე



ყოველთვის იხმარეთ ყურების დამცავი საშუალება თუ ზგერთი სიხშირე აღემატება 85 დბ(ა)-ს.



მოთხოვნილ შესაბამისობა

ნორმებთან

შესაბამის დებულებას, მათი ცვლილებების ჩათვლით და ასევე შემდეგ ნორმებს, როგორცაა:

EN 62841-1:2015,  
EN 62841-2-1:2018,  
EN 55014-1:2017,  
EN 55014-2:2015,

სერტიფიკაციის მწვერვალი

*Wu Cunzhen*

Wu Cunzhen

ჩვენი პერსონალური პასუხისმგებლობის ქვეშ ვაცხადებთ, რომ პროდუქტი, რომელიც აღწერილია "ელექტრო ხელსაწყოს ტექნიკურ მახასიათებლებში", შეესაბამება 2006/42/EC დირექტივების ყველა

\* - ელექტროიარაღებისთვის 220-240 ვ ძაბვით.

Merit Link International AG  
Stabio, შვეიცარია, 14.11.2023



**გავრთობლება - ტრავმების მიღების რისკის შესამცირებლად, მომხმარებელი უნდა გაეცნოს ექსპლუატაციის სახელმძღვანელოს!**

## უსაფრთხოების ტექნიკის ზოგადი წესები



**გავრთობლება ყურადღებით გაეცანიო უსაფრთხოებასთან დაკავშირებულ თითოეულ გავრთობლებას, ინსტრუქციას, განმარტებით ნახატებს და სპეციფიკაციებს.**

გავრთობლებისა და ინსტრუქციების უაზუსტო აღწერა შეიძლება გამოიწვიოს ცეცხლის გაჩენა, ელექტრობის შუჭობრიდან გამოსვლა ან სერიოზული ტრავმები.

**შეინახეთ ყველა ინსტრუქცია და გავრთობლება შემდგომი გამოყენებისთვის.**

ტერმინი "ელექტრო ხელსაწყო", რომელიც გამოიყენება გავრთობლების ტექსტში, წარმოადგენს ელექტრო ხელსაწყოს, რომელსაც აქვს ელექტრო კაბელი (სადენი), ასევე წარმოადგენს ხელსაწყოს, რომელიც მუშაობს აკუმულატორზე (უსადენოდ).

### სამუშაო ადგილის უსაფრთხოება

- სამუშაო ადგილის უნდა იყოს სუფთა და კარგად განათებული. დანაგვიანებულ ან მზელ ადგილებში მოსალოდნელია უბედური შემთხვევები.
- არ გამოიყენოთ ელექტრო ხელსაწყოები ფეთქებად გარემოში, მაგალითად, ადვილად აალებადი სათხიების, აირების ან მტერის არსებობისას. ელექტროხელსაწყოები წარმოქმნიან ნაკერქლებს, რომელიც შესაძლოა გახდეს მტერის ან ორთქლის აალების მიზეზი.
- ელექტრო ხელსაწყოს მუშაობის დროს მთავრად შეამოწმოთ და გარეშე პირები მას. უყურადღებობამ შესაძლოა მიგვიყვანოს კონტროლის დაკარგვამდე.

### რეკომენდაციები ელექტროუსაფრთხოებაზე

- ელექტრო ხელსაწყოს ჩანგლები უნდა შეესაბამებოდეს როზეტს. არასოდეს გადააკეთოთ ელ ჩანგლები როზეტში მოსათავსებლად. ნუ გამოიყენებთ ადაპტერებს დამიწებული ელექტრო ხელსაწყოებით. არამოდიფიცირებული (ორიგინალი) ელ.ჩანგლები და მათი შესაბამისი როზეტები ამცირებენ ელექტრული დენით დაზიანების რისკს.
- მოერიდეთ კონტაქტს დამიწებულ ზედაპირებთან, როგორცაა მილები, რადიატორები, ფილები და მაცივრები. ეს ზრდის ელექტრული დენით დაზიანების რისკს.
- ელექტრო ხელსაწყოზე წვიმისა და ტენის ზემოქმედებას ნუ დაუშვებთ. ელექტრო ხელსაწყოს მივნით წყლის მოხვედრა ზრდის ელექტრული დენით დაზიანების რისკს.
- ნუ გამოიყენებთ დენგამავალ კაბელს იმ მიზნით, რისთვისაც არაა განკუთვნილი. არასდროს გამოიყენოთ კაბელი ელექტრო ხელსაწყოს გადასატანად, ელექტრო ხელსაწყოს თქვენსკენ მოსაქანად ან მის გამოსართავად დენგამავალი კაბელის მკვეთრი გამოძრობის გზით. დაიცავით დენგამავალი კაბელი გატყულებისგან, ნაყოფიერად ელექტრებისგან, ხასიო ნაპირისგან ანდა ელექტრო ხელსაწყოს მოძრავი ნაწილისგან.

დაზიანებული ან აბურდული დენგამავალი კაბელი ზრდის ელექტრული დენით დაზიანების რისკს.

• **ღია სივრცეში მუშაობისას, გამოიყენეთ დამატრელებელი კაბელები, რომელიც განკუთვნილია გარეთა საბუნოებისთვის, ეს შეამცირებს ელექტრული დენით დაზიანების რისკს.**

• **თუკი ელექტრო ხელსაწყოთა მუშაობა ტენიან ადგილას გარდაუვალია, გამოიყენეთ დიფერენცირებული გაოვნვის რელე. დგმ-ის გამოყენება ამცირებს ელექტრული დენით დაზიანების რისკს. შენიშვნა! ტერმინი "დგმ (RCD)" შესაძლებელია შეიცვალოს ტერმინით "დამცავი გათიშვის მოწყობილობა (GFCI)" ანდა "ავტომატური გამომრთველი გაოვნვის დენისგან დაცვის ფუნქციით (ELCB)".**

• **გავრთობლება** არასდროს მიეკაროთ რელექტორის, დამცავი გარსაცმის და ა.შ. ღია ლითონის ზედაპირებს, რადგანაც ლითონის ზედაპირებზე მოქმედებს ელექტრომაგნიტური ტალღები და მათზე შეხებამ შესაძლოა გამოიწვიოს ტრავმა ან უბედური შემთხვევა.

### რეკომენდაციები პირადი უსაფრთხოებისათვის

• **იყავით ფიზიკურად, ყურადღება მიაქციეთ იმას, რასაც აკეთებთ, და ელექტრო ხელსაწყოსთან მუშაობისას იბეზმდებარებულე სადი აზრით. არ გამოიყენოთ ელექტრო ხელსაწყო, თუკი დაიბლეთ ანდა იმყოფებით ნარკოტიკული ნივთიერების, ალკოჰოლის ან წამლების ზემოქმედების ქვეშ. ელექტრო ხელსაწყოთა მუშაობისას ყურადღების მოღებვამ შესაძლოა გამოიწვიოს სერიოზული ტრავმა.**

• **გამოიყენეთ ინდივიდუალური დაცვის საშუალებები. ყოველთვის გაიკეთეთ დამცავი სათავალე. ინდივიდუალური დაცვის საშუალებები, ისეთი როგორცაა მტერისგან დამცავი ნიღბი, დამცავი ფეხსაცმელი, რომელიც არ სრიალებს, ჩაფხუტი ან სმების დამცავი საშუალებები, რომლებიც გამოიყენება შესაბამის პირობებში, ამცირებს ტრავმების მიღების ალბათობას.**

• **მოერიდეთ ელექტრო ხელსაწყოს მოულოდნელად ჩართვას. კვების წყაროსთან და/ან აკუმულატორთან მიერთებისას, ელექტრო ხელსაწყოს აწვივსა და გადატანის წინ, დარწმუნდით, რომ ჩართვა/გამორთველი გამომართულია.** ელექტრო ხელსაწყოს გადაადგილება, როდესაც თითი არის ჩართველზე / გამომრთველზე, ანდა ელექტრო ხელსაწყოების კვების ჩართვა ჩართული ჩამრთველით / გამომრთველით, შესაძლოა უბედური შემთხვევის მიზეზი გახდეს.

• **ჩართვის წინ აუცილებელია ელექტრო ხელსაწყოს ყველა მზრუნველი ნაწილიდან მოაშოროთ დამატებითი გასადები და სამარევი, რომელიც დარჩენილია ელექტრო ხელსაწყოს მზრუნველ ნაწილში, შესაძლოა გახდეს სერიოზული ტრავმების მიზეზი.**

• **არ გამოიყენოთ ზედმეტი ძალისხმევა. ყოველთვის შეინარჩუნეთ მყარი მდგომარეობა და წინასწორი. ეს საშუალებას მოგვცემს უკეთ გააკონტროლოთ ელექტრო ხელსაწყო გაუთვალისწინებელ სიტუაციებში.**

• **ატრეოთ შესაბამისი ტანსაცმელი. არ ჩაიცვათ თავისუფალი ტანსაცმელი და არ გაიკეთოთ სამკაული. თმა, ტანსაცმელი და ხელოთამანი მოძრავი ნაწილებიდან შორს ამყოფეთ. თავისუფალი ტანსაცმელი, სამკაული ან გრძელი თმა შესაძლოა ჩაითროს ელექტროხელსაწყოს მოძრავმა ნაწილებმა, რაც გახდება სერიოზული ტრავმების მიზეზი.**

• რადგან ელექტრო ხელსაწყოთა ინსტრუქციებში ნაგულისხმევი მტვრისდამჭერი და მტვრის შეგროვებელი ხელსაწყოების ჩართვისათვის საჭირო შესაძლებლობები, დარწმუნდით, რომ ისინი ჩართულია და სწორად გამოიყენება. ასეთი მოწყობილობების გამოყენება ამცირებს მტვრის დაგროვებასთან დაკავშირებულ საშიშროებებს.

• ყოველთვის იყავით ფრთხილად, ნუ უსაფრთხოდ ელექტრო ხელსაწყოთა უსაფრთხო მუშაობის პრინციპებს იმ ცოდნისა და გამოცდილების გამო, რომელიც მიღებულია ელექტრო ხელსაწყოთა ხშირი გამოყენებით. გაუფრთხილებელმა მოქმედებამ დაუყოვნებლივ შესაძლოა გამოიწვიოს სერიოზული ტრავმა.

• გაფრთხილებას მუშაობისას ელექტრო ხელსაწყოებმა შესაძლებელია წარმოქმნან ელექტრომაგნიტური ველი. გარკვეული დაზიანებების გამო ასეთმა ველმა შესაძლოა დაზიანოს აქტიური ან პასიური სამედიცინო იმპლანტები. სერიოზული ან სასიკვდილო ტრავმის რისკის შესამცირებლად, ელექტრო ხელსაწყოთა გამოყენების წინ ადამიანებს სამედიცინო იმპლანტანტებით ეძლევა რეკომენდაცია, გაიარონ კონსულტაცია ექიმთან და სამედიცინო იმპლანტების დამამზადებელთან.

### ელექტრო ხელსაწყოთა გამოყენება და მომსახურება

• ადამიანებს არასაკმარისი ფსიქოფიზიკური და გონებრივი თვისებებით და ნავაზებებს არ შეუძლიათ ელექტროხელსაწყოთა მართვა, თუკი მათ უსაფრთხოებაზე პასუხისმგებელი ადამიანი არ აკონტროლებს ან არ უტარებს ინსტრუქციას ელექტრო ხელსაწყოთა გამოყენების თაობაზე.

• არ გადატვირთოთ ელექტრო ხელსაწყო. გამოიყენეთ ელექტროხელსაწყო, თქვენი მიზნების შესაბამისად და დანიშნულებისამებრ. შესაბამისი ელექტროხელსაწყო იმუშავებს უკეთესად და უსაფრთხოდ თუ გამოიყენებთ მისი დანიშნულებისამებრ.

• არ იმუშაოთ ელექტროხელსაწყოთა გაუმართავი ჩამორთვლით / გამომრთვლით. ელექტრო ხელსაწყო, რომლის ჩართვა / გაქროთვა ვერ კონტროლდება, წარმოადგენს საშიშროებას და დაუყოვნებლივ უნდა გარეშდეს.

• რაიმე სახის დაზიანების შესრულების, ხელსაწყოების შეცვლის, ან ელექტროხელსაწყოების შენახვის წინ - გამოართვით ელექტრო ჩანკალი კვების წყაროდან და / ან აკუმულატორი ელექტრო ხელსაწყოდან. უსაფრთხოების ეს წესები ამცირებს ელექტროხელსაწყოთა შემთხვევითი გაშვების რისკს.

• შეინახეთ გამოყენებული ელექტრო ხელსაწყოები ბავშვებისთვის მიუწვდომელ ადგილას და არ დატოვოთ ნება პირებს, რომლებიც არ გაეცნენ ელექტრო ხელსაწყოთა ან ამ ინსტრუქციებს, გამოიყენონ ელექტროხელსაწყო. ელექტროხელსაწყოები საშიშია მოუმზადებელი მსარგებლის ხელში.

• ყურადღება მიაქციეთ ელექტროხელსაწყოთა მდგომარეობას. შეამოწმეთ მოძრავი დეტალების დერბული მოძრაობა და მათი შეერთების საიმედოობა, აგრეთვე ნებისმიერი ხარვეზი, რამაც შესაძლოა შეწყობიდან გამოიყვანოს ელექტროხელსაწყო. გაუმართავი ელექტროხელსაწყო აუცილებლად უნდა შეკეთდეს გამოყენების წინ. ბევრი უზედური შემთხვევა სწორედ ელექტრო ხელსაწყოთა ცუდი მდგომარეობიდან გამომდინარეობს.

• მჭიდრო ხელსაწყოები უნდა ინახებოდეს სუფთად და გარეგან იყოს გაღვსილი. სწორად

დაყენებული მჭიდრო ხელსაწყოები ზასრი მჭიდრო კიდეებით ამცირებენ გაქვდვის შესაძლებლობას და ამარტივებენ ელექტროხელსაწყოების მართვას.

• გამოიყენეთ ელექტროხელსაწყო, ჩამოსაგმელები და ა.შ. ინსტრუქციების შესაბამისად, მიიღეთ რა შედეგობაში მუშაობის პირობები და შესასრულებელი სამუშაოები. ელექტროხელსაწყოთა გამოყენება ოპერაციებისთვის, რომლის მიხედვითაც ის არაა განკუთვნილი, საშიშ სიტუაციამდე მიგიყვანას.

• სახელები და დამჭერი ზედაპირები ამაყოფით მზრალ, სუფთა მდგომარეობაში ზეთისა და საპოხის გარეშე. სრლად სახელები და მოკიდების ზედაპირები ხელს უშლის ელექტრო ხელსაწყოთა უსაფრთხო მოპყრობას და მის მართვას მოულოდნელ სიტუაციებში.

• ყურადღება მიაქციეთ, რომ ელექტრო ხელსაწყოთა მუშაობისას აუცილებელია სწორად გეჭიროთ დაძმარე სახელები; ამ მოთხოვნის შესრულება აიოლებს ელექტრო ხელსაწყოთა მართვას. ამრიგად, ელექტრო ხელსაწყოთა სწორმა დაქვრამ შესაძლოა შეამციროს უზედური შემთხვევებისა და ტრავმების რისკი.

### აკუმულატორიანი ხელსაწყოთა ექსპლუატაცია და მომსახურება

• დამუშავით მხოლოდ მწარმოებლის მიერ რეკომენდებული დამტენი მოწყობილობით. დამტენი მოწყობილობა, რომელიც განკუთვნილია კონკრეტული ტიპის აკუმულატორისთვის, სხვა ტიპის აკუმულატორთან გამოყენებისას, შეიძლება გახდეს ხანძრის მიზეზი.

• გამოიყენეთ ელექტროარაღები მხოლოდ მათთვის მითითებული აკუმულატორებით. სხვა აკუმულატორების გამოყენებამ შეიძლება მიგიყვანათ დაზიანების მიღების და ხანძარის რისკთან.

• როდესაც აკუმულატორს არ იყენებთ, ნუ შეინახავთ მას ლითონის საგნებთან ახლოს, როგორცაა საკანცელარო სამაგები, მონლები, გასაღებები, ლურსმები, ხრახნები და სხვა პატარა ლითონის საგნები, რომლებიც ელექტროდების გამტარები არიან. აკუმულატორების კონტაქტების მოკლე ჩართვამ შეიძლება აალებს ან ხანძარი გამოიწვიოს.

• არასწორმა მოპყრობამ შეიძლება გამოიწვიოს აკუმულატორის სითხის გაჟონვა; ნუ დაუშვებთ ასეთ სითხესთან კონტაქტს, წინააღმდეგ შემთხვევაში ჩამოიხანეთ კონტაქტის ადგილი წყლით. სითხის თვალში მოხვედრისას, დაუყოვნებლივ მიმართეთ სამედიცინო დახმარებისთვის. აკუმულატორის სითხე შეიძლება გახდეს გაღვიანების ან ქიმიური დამწვრობის მიზეზი.

• არ დაუშვათ თვითნებური ჩართვა. აკუმულატორის დაყენებამდე დარწმუნდით, რომ ჩამორთვლილი / გამომრთვლი არის მდგომარეობაში "გამორთული". ელექტროარაღის გადაადგილებისას დარწმუნდით, რომ თქვენს თითი არ იმყოფება ჩამორთველ / გამომრთველზე; გარდა ამისა, არ ჩადეთ აკუმულატორი ელექტროარაღში, თუ გადამრთველი იმყოფება მდგომარეობაში "ჩართულია"- ამ პირობების შეუსრულებლობას შეიძლება უზედური შემთხვევა მოჰყვეს.

• ნუ დაშლით აკუმულატორს. არსებობს მოკლე ჩართვის რისკი.

• აკუმულატორის დაზიანებამ ან მისმა არასათანადო გამოყენებამ შეიძლება გამოიწვიოს ორთქლის გამოყოფა. უზრუნველყოფით თათბში სუფთა ჰაერის მოწოდება; საჩივრების

არსებობის შემთხვევაში მიმართეთ სამედიცინო დახმარებისთვის. აორთქლებამ შეიძლება სასუნთქი სისტემის გაღიზიანება გამოიწვიოს.

• აკუმულატორის დაზიანებისას, სითხემ შეიძლება გამოყოფილი და მოხდეს ახლომდებარე დეტალებზე. შეამოწმეთ ასეთი ნაწილების მდგომარეობა. გაწმინდეთ ისინი სითხისგან, ან, საჭიროების შემთხვევაში, გამოცვალეთ.

• არ დაუშვათ აკუმულატორის გადახურება, მაგალითად მზის სხივების ან ცეცხლის ხანგრძლივი ზემოქმედების შედეგად. ამ პირობის შესრულებლობამ შეიძლება გამოიწვიოს აკუმულატორის აფეთქება.



**ყურადღება!** წაიკითხეთ უსაფრთხოების ყველა ინსტრუქცია და რეკომენდაცია.

• დაიცავით დამტენი მოწყობილობა წვიმისა და ტენის ზემოქმედებისგან. დამტენ მოწყობილობაში წყლის მოხვედრა ზრდის ელექტროდენით დაზიანების რისკს.

• გამოიყენეთ დამტენი მოწყობილობა მხოლოდ რეკომენდებული ტიპის აკუმულატორების დასამუხტად. მოცემული დამტენი მოწყობილობა განკუთვნილია მხოლოდ ლითიუმის იონური აკუმულატორების დასამუხტად ძაბვების მითითებულ დიაპაზონში. ამ მოთხოვნის შესრულებლობის შემთხვევაში არსებობს ხანძრისა და აფეთქების საფრთხე.

• არ დაუშვათ დამტენი მოწყობილობის დაბინძურება. ქუქკმა შეიძლება გამოიწვიოს ელექტროდენით დაზიანება.

• გამოყენებამდე, ყოველთვის შეამოწმეთ დამტენი მოწყობილობის, კაბელის და კონექტორების მდგომარეობა. არ გამოიყენოთ დამტენი მოწყობილობა, რომელსაც რაიმე გაუმართაობა გააჩნია. არ დაშალოთ დამტენი მოწყობილობა თვითნებურად, რემონტი და მოვლა უნდა განხორციელდეს მხოლოდ კვალიფიციური პერსონალის მიერ ორიგინალური სათადარიგო ნაწილების გამოყენებით. დამტენი მოწყობილობის, კაბელისა და კონექტორების დაზიანება ზრდის ელექტროდენით დაზიანების რისკს.

• არ გამოიყენოთ დამტენი მოწყობილობა იოლად აალებად ზედაპირებზე (როგორცაა ქაღალდი, ქსოვილები და ა.შ.) ან ხანძარსაში გარემოში. დატენვის პროცესში, დამტენი ხურდებამ და ამ მოთხოვნების შესრულებლობას შეიძლება აალებამ მოჰყვეს.

**ტენიკური მომსახურება**

• თქვენი ელექტრო ხელსაწყო მომსახურება უნდა წარმოებდეს კვალიფიციური სპეციალისტების მიერ რეკომენდებული სათადარიგო ნაწილების გამოყენებით. ეს იძლევა გარანტიას, რომ თქვენი ელექტროხელსაწყო უსაფრთხოება შენარჩუნებული იქნება.

• შესარბულით ინსტრუქცია გაკობვის შესახებ, აგრეთვე რეკომენდაციები აქსესუარების შეცვლაზე.

**უსაფრთხოებასთან დაკავშირებული სპეციალური მითითებები**

• ოპერაციის შესრულებისას, რომლის დროსაც მჭრელი აქსესუარი შეიძლება შეეხოს ფარულ ელექტროაგვანილობას ან საკუთარ დენის

კაბელს, დაიჭირეთ ელექტრო ხელსაწყო მხოლოდ იზოლირებული ზედაპირის მქონე სახელურებით. მჭრელი აქსესუარის შეხებამ ძაბვის ქვეშ მყოფ მავთულთან, შეიძლება გამოიწვიოს ძაბვის წარმოქმნა ელექტრო ხელსაწყოთა ლითონის ნაწილებზე და ელექტროდენით ოპერატორის დაზიანების მიზეზი გახდეს.

• გამოიყენეთ სმენის ორგანოების დაცვის საშუალებები. ხმაურის ზემოქმედებისას შესაძლებელია სმენის დაკარგვა.

**უსაფრთხოების ტენიკის წესები ელექტრომობილთა ექსპლუატაციისას**

• დაამატეთ სამუშაო ნაწილი. ამისთვის გამოიყენეთ დასამატებელი მოწყობილობა ან ვირაგი, ეს გაცილებით საიმედოა, ვიდრე სამუშაო ნაწილის ხელით დაჭერა.

• აზბესტი კანცეროგენურ მასალას წარმოადგენს, ამიტომ აზბესტის შემცველი სამუშაო ნაწილების დამუშავება აკრძალულია.

• ელექტრო ხელსაწყოს დადება შეიძლება მხოლოდ მობრავი ელემენტების სრულად გაჩერების შემდეგ. დაყენებული აქსესუარი შეიძლება ჩაიკედოს მუშაობის დროს, რასაც შეიძლება ელექტრო ხელსაწყოთა მართვის დაკარგვა მოჰყვეს.

• დაფარული ელექტროაგვანილობის მდებარეობის დასადგენად გამოიყენეთ შესაბამისი დეტექტორი, ან მიიღეთ ეს ინფორმაცია შესაბამის ორგანიზაციებში. ფარული ელექტროაგვანილობის ბურღით დაზიანებამ შეიძლება აალებად ელექტროდენით დაზიანება გამოიწვიოს. გაზის მილის დაზიანება შეიძლება აფეთქების მიზეზი გახდეს. წყალაგვანილობის მილების დაზიანება შეიძლება მატერიალური ზარალი მოჰყვეს.

• დაყენებული აქსესუარის ჩაქედვის შემთხვევაში, გამორთეთ ელექტრო ხელსაწყო და შეინარჩუნეთ სიმშვიდე. ამ დროს ელექტრო ხელსაწყო აალებს საგანებზე ძლიერ რეაქტიული მტრებ მომენტს, რაც უკუცემას იწვევს. აქსესუარები შეიძლება ჩაიკედოს, მაგალითად, ზედმეტი დაწოლის ან მუშაობის დროს აქსესუარის გადაცერების შედეგად.

• ოპერაციის შესრულებისას, რომლის დროსაც მჭრელი აქსესუარი შეიძლება შეეხოს ფარულ ელექტროაგვანილობას ან საკუთარ დენის კაბელს, დაიჭირეთ ელექტრო ხელსაწყო მხოლოდ იზოლირებული ზედაპირის მქონე სახელურებით. მჭრელი აქსესუარის შეხებამ ძაბვის ქვეშ მყოფ მავთულთან, შეიძლება გამოიწვიოს ძაბვის წარმოქმნა ელექტრო ხელსაწყოთა ლითონის ნაწილებში და ელექტროდენით ოპერატორის დაზიანების მიზეზი გახდეს.

• მუშაობისას მკრად გუქროთ ელექტრო ხელსაწყო ხელბით და შეინარჩუნეთ წონასწორობა. • მუშაობისას და ელექტრო ხელსაწყოთა გამოყენებისას დაჭერით გუქრდით ჩამრთველი / გამომრთველი მთავარ სახელურზე.

• მოერიდეთ ელექტრო ხელსაწყოთა ძრავის გაჩერებას დატვირთვის ქვეშ.

• აკრძალულია ნარჩენების მოცილება ელექტრო ხელსაწყოთა ჩართული ძრავის პირობებში.

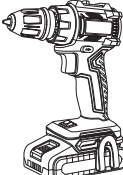
• ელექტრო ხელსაწყოთა უფრო მარტივად ექსპლუატაციისთვის, გამოიყენეთ მხოლოდ გალესილი ბურღები დევექციების გარეშე. • ბურღების კონსტრუქციის შეცვლა, ასევე მოცემული ელექტრო ხელსაწყოთა


გაუთვალისწინებელი მოსახსნელი დანამატების და აქსესუარების გამოყენება, აკრძალულია.


- მუშაობისას ნუ დაატანთ ზედმეტ ძალას ელექტრო ხელსაწყოს, ამან შეიძლება გამოიწვიოს ბურღის ჩასოღვა და ძრავის გადატვირთვა.
- არ დაუშვათ ბურღების ჩასოღვა დასამუშავებელ მასალაში. იმ შემთხვევაში, თუ ეს მოხდება, ნუ ეცდებით მის გათავისუფლებას ელექტრო ხელსაწყოს ძრავის საშუალებით. ამან შეიძლება მწყობრიდან გამოსვლა გამოიწვიოს.
- აკრძალულია მასალაში ჩაჭედილი ბურღების ამოგდება ჩაჭეხის ან სხვა საგნების დახმარებით - ლითონის მომსხვრეულმა ნაწილაკებმა შეიძლება ზიანი მიაყენოს, როგორც მომუშავეს, ასევე სიახლოვეს მყოფ ადამიანებს.
- არ დაუშვათ ელექტრო ხელსაწყოს გადახურება ხანგრძლივად გამოყენებისას.

**ინსტრუქციაში გამოყენებული სიმბოლოები**

ელსპლუტატაციის სახელმძღვანელოში გამოიყენება ქვემოთ მოტანილი სიმბოლოები, დაიმახსოვრეთ მათი მნიშვნელობა. სიმბოლოების სწორი ინტერპრეტაცია დაგეხმარებათ გამოიყენოთ ელექტროხელსაწყო სწორად და უსაფრთხოდ.


სიმბოლო	მნიშვნელობა
	აკუმულატორიანი დრელი / ბურღის სახრახნისი

	დასაწებელი სეროული ნომრით: CT... - მოდელი; XX - წარმოების ვადა; XXXXXXXX - სეროული ნომერი.
---	---

	გაეცანით უსაფრთხოებასთან დაკავშირებულ ყველა მითითებასა და ინსტრუქციას.
--	--

	ატარეთ დამცავი სათვალე.
--	-------------------------

	ატარეთ მტვრისგან დამცავი ნიღაბი.
--	----------------------------------

	არ გაახუროთ აკუმულატორი 45°C-ზე მეტად. დაიცავით მზის პირდაპირი სხივების ხანგრძლივი ზემოქმედებისგან.
--	---

სიმბოლო	მნიშვნელობა
	არ გადაადგოთ აკუმულატორი საყოფაცხოვრებო ნაგავში.
	არ ჩაადგოთ აკუმულატორი ცეცხლში.
	არ დაუშვათ აკუმულატორის მოხვედრა წვიმის ქვეშ.
	აკუმულატორის დამუხტვის დრო.
	მომძრაობის მიმართულება.
	ბრუნვის მიმართულება.
	დაბლოკილია.
	განბლოკილია.
	ნიშანი, რომელიც ადასტურებს, რომ ნაკეთობა შეესაბამება ევროკავშირის დირექტივების ძირითად მოთხოვნებს და ევროკავშირის ჰარმონიზებულ სტანდარტებს.
	ყურადღება. მნიშვნელოვანი ინფორმაცია.
	სასარგებლო ინფორმაცია.
	ატარეთ დამცავი ხელთათმანები.
	მზრუნავი მომენტის მარეგულირებელის მდგომარეობა "ზურღვა".
	სიჩქარის უსაფეხურო რეგულირება.



არ გადაადგოთ ელექტროხელსაწყო საყოფაცხოვრებო ნაგავში.

ელექტროხელსაწყო და დანიშნულება

[CT21072HX-2, CT21072HQX-2]

აკუმულატორიანი დრელები / შურუფის სახრახნისები განკუთვნილია ხეში, პლასტმასში, ლითონში ხერხების გასაბურღად, აგრეთვე ხრახნისანი სამაგრი ელემენტების (შურუფების, ხრახნების, და სხვ.) ჩასახრახნად. CT21072HQX-2 - ამ მოდელის მიწოდების კომპლექტში შედის სწრაფადმოსახსნელი საცმები (სწრაფადმომჭერი საბურღი ვაზნა, აქსესუარების დამჭერი და აქსესუარების კუთხური დამჭერი), რომლებიც საშუალებას იძლევა ვაწარმოოთ სამუშაოები ძველად მისადგომ ადგილებში.

ელექტროხელსაწყო ელემენტები

მოწყობის

- 1 აქსესუარების უნივერსალური დამჭერი
- 2 LED ფარანი
- 3 მზრუნავი მომენტის მარეგულირებელი
- 4 სიჩქარის სავსურებრივი გადამრთველი
- 5 აკუმულატორის დამუხტვის ხარისხის ინდიკატორები
- 6 ჩამრთველი / გამომრთველი
- 7 რევერსის გადამრთველი
- 8 სავსურებრივი დამჭერი
- 9 კავი, ქამარზე სატარებელი \*
- 10 აკუმულატორის ფიქსატორი \*
- 11 აკუმულატორი \*
- 12 სწრაფადმოსახსნელი საბურღი ვაზნა \*
- 13 სწრაფადმოსახსნელი აქსესუარების დამჭერი \*
- 14 სწრაფადმოსახსნელი აქსესუარების კუთხური დამჭერი \*
- 15 დასამუხტი მოწყობილობა \*
- 16 სწრაფადმომჭერი საბურღი ვაზნა
- 17 აქსესუარების დამჭერი \*
- 18 მათემატიკური სახელური
- 19 სწრაფადმოსახსნელი საცმების ფიქსატორი \*
- 20 ჩასადები სახრახნისი \*
- 21 ხრახნი
- 22 მაგნიტური დამჭერი \*
- 23 ინდიკატორი (მწვანე) \*
- 24 ინდიკატორი (წითელი) \*

\* სამარჯვე მოწყობილობები

ჩამოთვლილი, ასევე გამოსახული სამარჯვე მოწყობილობები შენადგენლობაში

ელექტროხელსაწყო ელემენტების მონტაჟი და რეგულირება

ყველა პროცედურის ჩატარებამდე დააყენეთ რევერსის გადამრთველი 7 შუალედურ მდგომარეობაში.



ძალიან მაგრად ნუ მოჭიმავთ სამაგრი ელემენტებს, რათა არ დაზიანდეს მათი კბილანები.



ზოგიერთი ელემენტის მონტაჟი/ დემონტაჟი / დაშენება ანალოგიურია ელექტროხელსაწყო ყველა მოდელისთვის, ამ შემთხვევაში ახსნა-განმარტებით სურათზე არ მიუთითებენ კონკრეტულ მოდელს.

სწრაფადმოსახსნელი საცმების მონტაჟი / შეცვლა (იხ. ნახ. 1-3)

[CT21072HQX-2]

სწრაფადმოსახსნელი საცმები 12, 13, ან 14 აფართოებენ ელექტრო ხელსაწყოს გამოყენების არეს და ძველად მისადგომ ადგილებში სამუშაოების წარმოების საშუალებას იძლევიან (იხ. ნახ. 2.2).

- ფიქსატორი 19 გადაადგილეთ წინ და გეკიროთ ამ მდგომარეობაში (იხ. ნახ. 1.1).
- დააყენეთ სწრაფადმოსახსნელი საცმებიდან 12, 13 ან 14 ერთ-ერთი უნივერსალურ სამაგრზე 1 (იხ. ნახ. 1.2).
- გაათავისუფლეთ ფიქსატორი 19.
- დემონტაჟი აწარმოეთ უკუ თანმიმდევრობით.
- აქსესუარების 14 სწრაფადმოსახსნელი კუთხური დამჭერი შეიძლება დაყენებული იქნეს სხვადასხვა მდგომარეობაში (იხ. ნახ. 2.1).
- აქსესუარების სწრაფადმოსახსნელ კუთხურ დამჭერზე 14 შეიძლება დაყენებული იქნეს ადვილად მოსახსნელი საბურღი ვაზნა 12 და აქსესუარების სწრაფადმოსახსნელი სამაგრი 13 (იხ. ნახ. 3).

აქსესუარების დაყენება / შეცვლა (იხ. ნახ. 4-8)

[CT21131HQX]

• თუ დაყენებულია აქსესუარების უნივერსალური დამჭერი 1:

- უნივერსალურ დამჭერში 1 ჩასადები (სადგელი) სახრახნისის 20 დაყენება / შეცვლა შესრულეთ ისე, როგორც ეს ნაჩვენებია ნახატზე 6. ყურადღება: აქსესუარების უნივერსალური დამჭერს 1 აქვს ჩამენებული მაგნიტი, ამიტომ რეკომენდებული არ არის მასში ჩაყენოთ ორმხრივი სახრახნისები. ისინი ვერ იქნებიან საიმედოდ დაფიქსირებული აქსესუარების უნივერსალურ დამჭერში 1 მაგნიტიანი სახრახნისის ბოლოს მცირე საკონტაქტო ფართობის გამო, იმავე დროს სახრახნისის ბოლომ შეიძლება გატეხოს მაგნიტი.

- თუ დაყენებულია აქსესუარების სწრაფადმოსახსნელი დამჭერი 13:
  - მავიქსირებელი სახელური 18 გადაადგილეთ უკან და გვეკროთ ამ მდგომარეობაში (იხ. ნახ. 7).
  - დააყენეთ / შეცვალეთ აქსესუარი, ყურადღება: გამოიყენეთ აქსესუარები, რომლებსაც აქვთ რგოლური ღარი ბოლოზე - ეს უზრუნველყოფს აქსესუარის საიმედოდ დაფიქსირებას დამჭერში 13.
  - გაუშვით მავიქსირებელი სახელური 18.

- თუ დაყენებულია სწრაფადმოსახსნელი ვაზნა 12:
  - გახსენით სწრაფადმომჭერი საბურღი ვაზნის 12 მუშტა, ატრიალეთ მისი წინა ნაწილი, როგორც ეს ნაჩვენებია ნახატზე 8.
  - დააყენეთ / შეცვალეთ აქსესუარი.
  - აქსესუარის გაადგერების გარეშე, მოქიმეთ სწრაფადმომჭერი ვაზნა 12, როგორც ეს ნაჩვენებია ნახატზე 8.

**ჩასადები სახრანისი და მაგნიტური დამჭერი (იხ. ნახ. 11)**

მოკლე ჩასადები სახრანისების გამოყენებისას, მათი საიმედოდ დასაფიქსირებლად, ისარგებლეთ მაგნიტური დამჭერით 22 (იხ. ნახ. 11). დაგრძელებული ჩასადები სახრანისების 20 (რომლებიც განკუთვნილია სპეციალურად შურუფების სახრანისებისთვის) გამოყენებისას, მაგნიტური დამჭერი 22 არ მოითხოვება.

ელექტრო ხელსაწყოს მოწოდება ხდება ნაწილობრივ დამუხტული აკუმულატორით 11. პირველად გამოყენების წინ აუცილებლად მოახდინეთ აკუმულატორის 11 სრული დამუხტვა.

**დამუხტვის პროცესი (იხ. ნახ. 13)**

- რევერსის გადამრთველი 7 დააყენეთ შუალედურ მდგომარეობაში.
- დააჭირეთ ფიქსატორს 10 და მოხსენით აკუმულატორი 11 (იხ. ნახ. 13.1).
- ჩადგით აკუმულატორი 11 დასამუხტ მოწყობილობაში 15 (იხ. ნახ. 13.2).
- მიუერთეთ დასამუხტი მოწყობილობა 15 ელექტროქსელს.
- დასამუხტი მოწყობილობის ინდიკატორები 23 (მწვანე) და 24 (წითელი) ინფორმაციას იძლევიან აკუმულატორის 11 დამუხტვის პროცესის მიმდინარეობის შესახებ.
  - მწვანე ინდიკატორი 23 ანათებს, აკუმულატორი 11 არ არის ჩადგმული დასამუხტ მოწყობილობაში 15 - დასამუხტი მოწყობილობა 15 მიერთებულია ელექტროქსელთან (დასამუხტად მზადყოფნის მდგომარეობა).
  - მწვანე ინდიკატორი 23 ციმციმებს, აკუმულატორი 11 ჩადგმულია დასამუხტ მოწყობილობაში 15 - მიმდინარეობს აკუმულატორის 11 დამუხტვის პროცესი.
  - მწვანე ინდიკატორი 23 ანათებს, აკუმულატორი 11 ჩადგმულია დასამუხტ მოწყობილობაში 15 - აკუმულატორი 11 მთლიანად დამუხტულია.
  - წითელი ინდიკატორი 24 ანათებს, აკუმულატორი 11 ჩადგმულია დასამუხტ მოწყობილობაში 15 აკუმულატორის 11 დამუხტვის პროცესი შეჩერებულია შეუფერებელი ტემპერატურული რეჟიმის გამო. ტემპერატურული რეჟიმის ნორმალიზაციის დროს, დამუხტვის რეჟიმი განახლდება.
  - წითელი ინდიკატორი 24 ციმციმებს, აკუმულატორი 11 ჩადგმულია დასამუხტ მოწყობილობაში 15 - აკუმულატორის 11 დამუხტვის პროცესი შეჩერებულია გაუმართაობის გამო. შეცვალეთ გაუმართავი აკუმულატორი 11, მისი შემდგომი გამოყენება აკრძალულია.

**ელექტროარადის აკუმულატორის დამუხტვა**

ელექტროარადის ექსპლუატაციაში შეყვანა

**i** დამუხტვის პროცესში აკუმულატორი 11 და დასამუხტი მოწყობილობა 15 ხურდება - ეს ნორმალურია.

• დამუხტვის დასრულების შემდეგ გათიშეთ დასამუხტი მოწყობილობა 15 ელექტროქსელიდან.

• ამოიღეთ აკუმულატორი 11 დასამუხტი მოწყობილობიდან 15 და დააყენეთ აკუმულატორი 11 ელექტრო ხელსაწყოზე (იხ. ნახ. 13.3).

### სიჩქარის უსაფრთხო რეგულირება



ბრუნების ცელა 0-დან მაქსიმუმამდე დამოკიდებულია ჩამრთველზე / გამომრთველზე 6 დაჭერის ძალაზე. სუსტი დაჭერა შეესაბამება ბრუნვათა მცირე რიცხვს - ეს ელექტრო ხელსაწყოს მდორედ ჩართვის საშუალებას იძლევა.

### ელექტროხელსაწყოს ჩართვა / გამორთვა

დარწმუნდით, რომ რევერსის გადამრთველი 7 არ იმყოფება შუალედურ მდგომარეობაში, რადგან ამ შემთხვევაში ჩამრთველი / გამომრთველი 6 დაბლოკილია.

### სიჩქარის საფეხურები მარეგულირებელი



**ყურადღება:** ბრუნთა დიაპაზონის შეცვლა შესაძლებელია მხოლოდ ძრავის სრული გაჩერების შემდეგ.

#### ჩართვა:

დააჭირეთ ჩამრთველს / გამომრთველს 6.

#### გამორთვა:

გაუშვით ხელი ჩამრთველს / გამომრთველს 6.

"1" სიჩქარის ჩასართავად გადამრთველი 4 გადაწიეთ უკან. ეს რეჟიმი გამოიყენება შურუფების ჩასახრახნად ან დიდი დიამეტრის ხვრელების გასაბურღად.

### ელექტროხელსაწყოს კონსტრუქციული თვისებები

#### აკუმულატორი

აკუმულატორს 11 გააჩნია ღრმა განმუხტვისგან დაცვის სისტემა. აკუმულატორის 11 სრული განმუხტვის შემთხვევაში, ელექტრო ხელსაწყო ავტომატურად გაითიშება. **ყურადღება:** ნუ შეცდებით ელექტრო ხელსაწყოს ჩართვას დაცვის სისტემის ამუშავების დროს - ამ შემთხვევაში აკუმულატორი 11 შეიძლება დაზიანდეს.

სიჩქარის "2" ჩასართავად გადაწიეთ გადამრთველი 4 წინ. ეს რეჟიმი გამოიყენება მცირე დიამეტრის ხვრელების სწრაფად გაბურღვისთვის.

#### რევერსი (იხ. ნახ. 15)



**ბრუნების მიმართულება შეცვალეთ, მხოლოდ ძრავის სრული გაჩერების შემდეგ. წინააღმდეგ შემთხვევაში თქვენ შეიძლება დაზიანდეთ ელექტრო ხელსაწყო.**

#### ტემპერატურული დაცვა

ტემპერატურული დაცვა ავტომატურად თიშავს ელექტრო ხელსაწყოს ზედმეტი დატვირთვის დროს, ან თუ აკუმულატორის 11 ტემპერატურა აჭარბებს 70°C. ეს იცავს ელექტრო ხელსაწყოს დაზიანებისგან, თუ ექსპლუატაციის პირობების დაუცველობის შემთხვევაში.

**ბრუნვა მარჯვნივ** (ბურღვა, შურუფების ჩახრახვნა) - რევერსის გადამრთველი 7 გადაადგილეთ მარცხნივ, როგორც ეს ნაჩვენებია ნახატზე 15.1.

#### აკუმულატორის დამუხტვის ხარისხის ინდიკატორები (იხ. ნახ. 14)

ჩამრთველზე / გამომრთველზე 6 დაჭერისას, ინდიკატორები 5 აჩვენებენ აკუმულატორის 11 დამუხტვის დონეს (იხ. ნახ. 14).

**ბრუნვა მარცხნივ** (შურუფების ამოხრახვნა) - რევერსის გადამრთველი 7 გადაადგილეთ მარჯვნივ, როგორც ეს ნაჩვენებია ნახატზე 15.2.

#### LED ფარანი

ჩამრთველზე / გამომრთველზე 6 დაჭერისას ავტომატურად ჩაირთვება LED ფარანი 2, რომელიც არასაკმარისი განათებულობის პირობებში სამუშაოს წარმოების საშუალებას იძლევა.

#### შპინდელის ავტომატური დაბლოკვა

თუ ჩამრთველზე / გამომრთველზე 6 დაჭერილი არ არის, შპინდელის ელექტრო ხელსაწყოს შპინდელი (ენა) დაბლოკილია - ეს საშუალებას იძლევა ელექტრო ხელსაწყო გამოიყენოთ, როგორც ჩვეულებრივი ხასრახნის (მაგალითად, თუ აკუმულატორი განმუხტულია შესაძლებელია ხრახნების და შურუფების ხელით ჩახრახვნა).

#### მზრუნავი მომენტის მარეგულირებელი

აბრუნეთ მარეგულირებელი 3, რათა დააყენოთ მზრუნავი მომენტის 21 მნიშვნელობიდან ერთი, რომელიც ყველაზე შესაფერისია შესასრულებელი სამუშაოსთვის.

#### გამორბენის მუხრუჭი

გამორბენის მუხრუჭი აჩერებს ელექტრო ხელსაწყოს შპინდელს ელექტრო ხელსაწყოს გამორთვითანავე. ეს გამორიცხავს ხრახნების და შურუფების გადაჭრებულად ძლიერად მოჭერას, იცავს სამუშაო ნაწილებს, ჩასადებ ხასრახნისებს და სამაგრი ელემენტების მსოივებს დაზიანებისგან.



ბურღვისას, რეკომენდებულია მზრუნავი მომენტის მარეგულირებელს 3 დაყენება მდგომარეობაში "ბურღვა".

### რეკომენდაციები ელექტროხელსაწყოს მუშაობაზე

#### ბურღვა (იხ. ნახ. 16-17)

[CT21131HQX]

(დაყენებული

სწრაფადმოსახსნელი საბურღი ვაზნით)]

• ლითონებში ხვრელის გაბურღვისას პერიოდულად გაოხეთ ბურღი (გამონაკლისია

ფერადი ლითონების და მათი შენადნობების ბურღვა).

- მყარი ლითონების გაბურღვისას უფრო ძლიერად დააჭირეთ ელექტროიარას და შეამცირეთ ბრუნვების რიცხვი.
- ლითონში დიდი დიამეტრის ხვრელის ბურღვისას, ჯერ გაბურღეთ მცირე დიამეტრის ხვრელი და შემდეგ ხელახლა გაბურღეთ ის საჭირო დიამეტრამდე (იხ. ნახ. 16.1).
- ხეზე ხვრელების გაბურღვისას, ბურღის გამოსვლის ადგილში ზედაპირის დანაფორმების თავიდან ასაცილებლად, შეასრულეთ ნახატზე 16.2 ნაჩვენები მოქმედებები.
- კედლებისა და კერში ხვრელების ბურღვისას მტკრის წარმოქმნის შესამცირებლად, გაატარეთ ნახ. 17-ზე ნაჩვენები ზომები.

### შურუფების ჩახრახვნა (იხ. ნახ. 18)

- შურუფის ჩახრახვნის გასაადვილებლად და ნაშხადში ზზარების თავიდან ასაცილებლად, წინასწარ გაბურღეთ ხვრელი, რომლის დიამეტრიც შურუფის დიამეტრის 2/3-ს შეადგენს.
- თუ ნაშხადებს აერთიანებთ შურუფების მეშვეობით, საიმედო შერთების მისაღებად, ნაშხადში ზზარების, ნახლუჭების და განშრევეების წარმოქმნის გარეშე, შეასრულეთ ნახატზე 18 ნაჩვენები მოქმედებები.

## ელექტროხელსაწყოს მომსახურება / პროფილაქტიკა

**ყველა პროცედურის ჩატარებამდე დააყენეთ რევერსის გადამრთველი 7 შუალედურ მდგომარეობაში.**

**რეკომენდაციები აკუმულატორის ექსპლუატაციის თაობაზე**

- დროულად დამუხტეთ აკუმულატორი **11**, ნუ დაელოდებით, სანამ ის მთლიანად განიმუხტება. თუ ექსპლუატაციის დროს შეინიშნება სიმძლავრის ვარდნა, აუცილებელია სამუშაოს შეწყვეტა და აკუმულატორის **11** დამუხტვა.
- არ დატენით სრულად დამუხტული აკუმულატორი **11**, რადგან ეს შეამცირებს მის საშხახურის ვადას.
- დატენით აკუმულატორი **11** 10°C-დან 40°C-მდე (50°F-დან 104°F-მდე).
- თუ ელექტროიარადი არ გამოიყენება დიდი ხნის განმავლობაში, დატენით აკუმულატორი **11** ყოველ 6 თვეში ერთხელ.
- დროულად შეცვალეთ აკუმულატორები, რომლებმაც ამოწურეს თავისი რესურსი. მწარმოებელს ვარდნა ან დამუხტვის შემდეგ ელექტროიარადის მუშაობის დროის მნიშვნელოვან შემცირება, მიუთითებს აკუმულატორის **11** დამკვლავაზე და მისი შეცვლის აუცილებლობაზე. გასათვალისწინებელია ისიც, რომ აკუმულატორი **11** შეიძლება უფრო სწრაფად განიმუხტოს, თუ სამუშაოები მიმდინარეობს 0°C-ზე დაბალ ტემპერატურაზე.
- გამოყენების გარეშე გრძელვადიანი შენახვისთვის რეკომენდებულია 50%-მდე დამუხტული აკუმულატორის **11** შენახვა ოთახის ტემპერატურაზე.

## ელექტროხელსაწყოს გაწმენდა

ელექტროხელსაწყოს ხანგრძლივი და უსაფრთხო ექსპლუატაციის აუცილებელ პირობას წარმოადგენს მისი სუფთა სახით შენახვა. რეგულარულად გაწმენდეთ ელექტროხელსაწყო შეკუმშული ჰაერით სავენტილაციო ღრიჭოებიდან **8**.

## გაყიდვის შემდგომი მომსახურება

თქვენი პროდუქტის რემონტსა და მომსახურებასთან წარმოქმნილ შეკითხვებზე პასუხები შეგიძლიათ მიიღოთ სერვის-ცენტრებში. ინფორმაცია სერვის-ცენტრებზე, სათადარიგო ნაწილების სქემები და ინფორმაცია სათადარიგო ნაწილებზე შეგიძლიათ იპოვოთ მისამართზე: [www.crown-tools.com](http://www.crown-tools.com).

## ელექტროხელსაწყოების ტრანსპორტირება

- არ დაუშვათ შეფუთვის დაგდება, აგრეთვე ნებისმიერი მექანიკური ზემოქმედება მასზე ტრანსპორტირებისას.
- დატვირთვისას / ჩამოტვირთვისას გამოიყენეთ სატვირთო ტექნიკა, რომელიც მუშაობს შეფუთვის მოჭერის პრინციპით.

## Li-Ion აკუმულატორები

Li-Ion აკუმულატორებზე ვრცელდება საშიში ტვირთების ტრანსპორტირების სპეციალური წესები. არ არის აუცილებელი დამატებითი ნორმების დაცვა აკუმულატორების გადაზიდვისას თვით მომხმარებლის მიერ საავტომობილო ტრანსპორტით. დაცვაით შეფუთვისა და მარკირების სპეციალური მოთხოვნები შესაძლებელია პირების მოზიდვით განხორციელებული გადაზიდვისას (მაგალითად, თვითმფრინავით). ამ შემთხვევაში, ტვირთის გასავადად მომზადებისას, საჭიროა საშიში საქონლის ექსპერტის მონაწილეობა. აკუმულატორების გაგზავნა შესაძლებელია მხოლოდ დაუზიანებელი კორპუსით. აუცილებელია ღია კონტაქტების იზოლირება და აკუმულატორების შეფუთვა იმგვარად, რომ ის არ გადაადგილდებოდეს შეფუთვის შეგნით. ასევე აუცილებელია დამატებითი ეროვნული რეგულაციების დაცვა.

## გარემოს დაცვა



**ნედლეულის მჭორადი დამუხატება ნაგვის განადგურების საცვლად.**

ელექტროხელსაწყო, დამატებითი სამარჯვები და შეფუთვა უტილიზირდეს ეკოლოგიურად სუფთად. სუფთად დახარისხების რეცირკულაციის ინტერესებიდან გამოდინარე, სინთეტიკური მასალების დეტალები შესაბამისადაა აღნიშნული. წინამდებარე სახელმძღვანელო დაბეჭდილია ქაღალდზე, რომელიც დამზადებულია მჭორადი ნედლეულისგან ქლორის გამოყენების გარეშე.

შესაძლებელია ცვლილებების შეტანა.