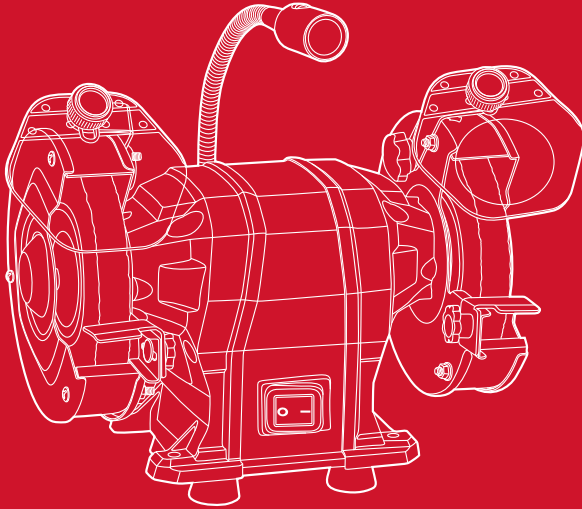


P.I.T.

PBG150-C2



BENCH GRINDER

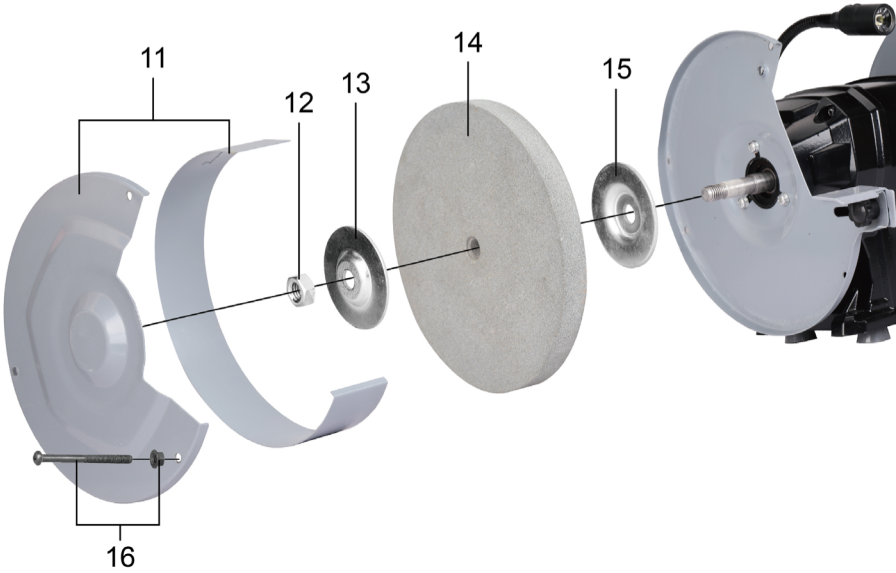
ТОЧИЛЬНЫЙ СТАНОК

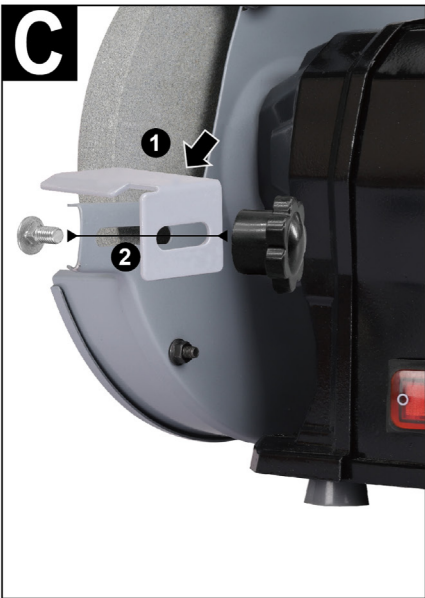
300W

**Powerful
Efficient**

Please read the instruction manual carefully before use!
Пожалуйста, внимательно прочтите инструкцию перед использованием!







English

Safety notes

General power tool safety warnings



WARNING Read all safety warnings and all instructions.

Failure to follow the warnings and instructions may result in electric shock, fire and/or serious injury.

Save all warnings and instructions for future reference.

The term □power tool□ in the warnings refers to your mainsoperated (corded) power tool or battery-operated (cordless) power tool.

Work area safety

- ▶ **Keep work area clean and well lit.** Cluttered or dark areas invite accidents.
- ▶ **Do not operate power tools in explosive atmospheres, such as in the presence of flammable liquids, gases or dust.** Power tools create sparks which may ignite the dust or fumes.
- ▶ **Keep children and bystanders a way while operating a power tool.** Distractions can cause you to lose control.

Electrical safety

- ▶ **Power tool plugs must match the outlet. Never modify the plug in any way. Do not use any adapter plugs with earthed (grounded) power tools.** Unmodified plugs and matching outlets will reduce risk of electric shock.
- ▶ **Avoid body contact with earthed or grounded surfaces, such as pipes, radiators, ranges and refrigerators.** There is an increased risk of electric shock if your body is earthed or grounded.
- ▶ **Do not expose power tools to rain or wet conditions.** Water entering a power tool will increase the risk of electric shock.
- ▶ **Do not abuse the cord. Never use the cord for carrying, pulling or unplugging the power tool. Keep cord away from heat, oil, sharp edges and moving parts.** Damaged or entangled cords increase the risk of electric shock.
- ▶ **When operating a power tool outdoors, use an extension cord suitable for outdoor use.** Use of a cord suitable for outdoor use reduces the risk of electric shock.
- ▶ **If operating a power tool in a damp location is unavoidable, use a residual current device (RCD) protected supply.** Use of an RCD reduces the risk of electric shock.

Personal safety

- ▶ **Stay alert, watch what you are doing and use common sense when operating a power tool. Do not use a power tool while you are tired or under the influence of drugs, alcohol or medication.** A moment of inattention while operating power tools may result in serious personal injury.
 - ▶ **Use personal protective equipment. Always wear eye protection.** Protective equipment such as a dust mask, non-skid safety shoes, hard hat or hearing protection used for appropriate conditions will reduce personal injuries.
 - ▶ **Prevent unintentional starting. Ensure the switch is in the off-position before connecting to power source and/or battery pack, picking up or carrying the tool.** Carrying power tools with your finger on the switch or energising power tools that have the switch on invites accidents.
 - ▶ **Remove any adjusting key or wrench before turning the power tool on.** A wrench or a key left attached to a rotating part of the power tool may result in personal injury.
 - ▶ **Do not overreach. Keep proper footing and balance at all times.** This enables better control of the power tool in unexpected situations.
 - ▶ **Dress properly. Do not wear loose clothing or jewellery. Keep your hair, clothing and gloves away from moving parts.** Loose clothes, jewellery or long hair can be caught in moving parts.
 - ▶ **If devices are provided for the connection of dust extraction and collection facilities, ensure these are connected and properly used.** Use of dust collection can reduce dust-related hazards.
 - ▶ **Do not let familiarity gained from frequent use of tools allow you to become complacent and ignore tool safety principles.** A careless action can cause severe injury within a fraction of a second.
- ### Power tool use and care
- ▶ **Do not force the power tool. Use the correct power tool for your application.** The correct power tool will do the job better and safer at the rate for which it was designed.
 - ▶ **Do not use the power tool if the switch does not turn it on and off.** Any power tool that cannot be controlled with the

switch is dangerous and must be repaired.

- ▶ **Disconnect the plug from the power source and/or the battery pack from the power tool before making any adjustments ,changing accessories, or storing power tools.** Such preventive safety measures reduce the risk of starting the power tool accidentally .
- ▶ **Store idle power tools out of the reach of children and do not allow persons unfamiliar with the power tool or these instructions to operate the power tool.** Power tools are dangerous in the hands of untrained users.
- ▶ **Maintain power tools. Check for misalignment or binding of moving parts, breakage of parts and any other condition that may affect the power tool's operation. If damaged, have the power tool repaired before use.** Many accidents are caused by poorly maintained power tools.
- ▶ **Keep cutting tools sharp and clean.** Properly maintained cutting tools with sharp cutting edges are less likely to bind and are easier to control.
- ▶ **Use the power tool, accessories and tool bits etc. in accordance with these instructions, taking into account the working conditions and the work to be performed.** Use of the power tool for operations different from those intended could result in a hazardous situation.
- ▶ **Keep handles and grasping surfaces dry, clean and free from oil and grease.** Slippery handles and grasping surfaces do not allow for safe handling and control of the tool in unexpected situations.

Bench grinder safety warnings

- ▶ **After purchase, you must turn on the product for 5 minutes without load in order to check the correct installation of all parts and the smooth operation of the product.** You should immediately turn off the product if vibration is detected.
- ▶ **Do not use a damaged accessory. Before each use, inspect the accessory such as abrasive wheels for chips and cracks. After inspecting and installing an accessory, position yourself and bystanders away from the plane of the rotating accessory and run the power tool at maximum no-load speed for one minute.** Damaged accessories will normally break apart during this test time.

- ▶ **The rated speed of the accessory must be at least equal to the maximum speed marked on the power tool.** Accessories running faster than their rated speed can break and fly apart.
- ▶ **To install grinding wheels, only use the clamping washers supplied with the electrical equipment.**
- ▶ **Do not work with damaged grinding wheels.**
- ▶ **It is prohibited to drill out the mounting hole of the grinding wheels.**
- ▶ **It is prohibited to operate electrical equipment without protective covers.**
- ▶ **Workpiece supports and protective screens must be installed as close to the grinding wheel as possible.** The maximum distance between the support and the grinding disc should not exceed 2 mm.
- ▶ **Never grind on the sides of a grinding wheel.** Grinding on the side can cause the wheel to break and fly apart.
- ▶ **Wear safety goggles.**
- ▶ **Never leave the tool unattended before it has come to a complete stop.** Cutting tools that are still running can cause injuries.
- ▶ **Store the power tool and accessories safely when it is not in use. The storage location must be dry and lockable.** This prevents the power tool from storage damage, and from being operated by untrained persons.
- ▶ **Check the cable regularly and have a damaged cable repaired only by an authorised customer service agent for P.I.T. power tools. Replace damaged extension cables.** This will ensure that the safety of the power tool is maintained.
- ▶ **Connect the tool to a mains supply that is properly connected to earth.** The socket and extension cable must have a fully functioning protective conductor.
- ▶ **Keep your work area clean.** Material mixtures are particularly hazardous. Light metal dust may catch fire or explode.
- ▶ **Protect the grinding tool against impact, shock and grease.**

Product description and specifications



Read all safety warnings and all instructions. Failure to follow the warnings and instructions may result in electric shock, fire and/or serious injury.

Intended use

The power tool is intended for sharpening tools and for grinding and deburring metal. The power tool may only be for short periods it is necessary to register temporary operating modes.

Product features

The numbering of the components shown refers to the representation of the power tool on the graphic pages.

- 1 Protective guard
- 2 Protective glass retainer
- 3 Spark arrestor
- 4 Metal stop (workpiece support)
- 5 Stop lock
- 6 Mounting holes
- 7 On/Off switch
- 8 Rubber supports
- 9 Lamp switch
- 10 LED-lamp
- 11 Protective cover
- 12 Clamping nut
- 13 Clamping flange
- 14 Grinding wheel (installed)
- 15 Mounting flange
- 16 Screws for securing the casing cover
- 17 Holder for the spark arrestor
- 18 Mounting nut

Technical data

Model	PBG150-C2
Voltage/frequency	220-240V 50/60Hz
Rated power	300W
Rated no-load speed	2950/3500r/min
Disc diameter	Ø150mm
Weight	7kg

Contents of delivery

Bench grinder	1 pc
Metal stops with mounting kit	2 pcs
Protective glass with mounting kit	2 pcs
Grinding wheel (installed)	2 pcs
Backlight lamp	1 pc
Instruction manual	1 pc

Note

There may be technical errors and typos in the text and digital symbols of the instructions. Since the product is constantly being improved, P.I.T. reserves the right to make changes to the specifications and product specifications specified here without prior notice.

Assembly

- ▶ Pull the plug out of the socket before

carrying out any work on the power tool.

- Use suitable screws to fix the power tool to the workbench/worktop with the four holes provided for this purpose.

Fitting the spark arrestor/workpiece support(see figures A–C)

- Mount the spark arrestor holder with the two screws.
- Screw the spark arrestor to the spark arrestor holder.
- Mount the workpiece support as shown in the figure.
- ▶ Regularly check the distance between the workpiece support or spark arrestor holder and the grinding wheel, and readjust as required. The distance from the grinding wheel must not exceed 2 mm. If the distance is too great, you are not sufficiently protected against sparking. The workpiece can be drawn in by the rotational motion of the grinding wheel and can cause injuries.
- ▶ Use the power tool only with the spark arrestor fitted and swivel the spark arrestor down as far as possible. Escaping sparks can injure your eyes or set fire to surrounding objects.
- ▶ Use the power tool only with the workpiece support. Do not mix up the right and left workpiece supports. If you do, the distance between the workpiece support and the grinding wheel will be too great. If the distance is too great, you are not sufficiently protected against sparking. The workpiece can be drawn in by the rotational motion of the grinding wheel and can cause injuries.
- ▶ To compensate for wear on the grinding wheels, the distance between the workpiece support and the grinding wheel should be periodically adjusted.
- ▶ To adjust: loosen the screw (5), adjust the distance between the stop and the grinding disc, tighten the screw (5), check that the stop is securely fixed.

Lighting(see figures D)

- ▶ After turning on the power tool, press the backlight switch to turn it on, to turn off the backlight, press the switch again.

Changing grinding wheels

- ▶ **The permissible number of revolutions of the grinding wheel must be no less than the maximum number of revolutions indicated on the power tool.** A grinding wheel rotating at a higher speed than permissible can break and fly apart in

space.

- ▶ **Grinding wheels whose diameter exceeds the specifications indicated on the power tool must not be used.**
- ▶ **Only use the power tool with grinding wheels mounted on both spindles.** This will avoid contact with rotating spindles.

Change the grinding wheel, if the fastening here probably means the stop is adjusted more to the distance from the grinding wheel max. 2 mm.

- Turn off the machine, unplug the three screws (16) on the cover and remove the cover. Hold the grinding spindle firmly with a wrench and unscrew the clamping nut (12) from the grinding spindle.
- Note! It is important to know that the right end of the spindle has a right-hand thread, and the left end has a left-hand thread. Such technical features were introduced specifically to prevent the locking nuts from unscrewing during spindle rotation.
- Remove the pressure flange (13) and the grinding wheel (14) from the grinding spindle.
- Installation of a new grinding wheel is carried out in the reverse order. Replace the cover, pressing it firmly, and secure it with the three screws.

After replacing the wheel, check its runout and freedom of rotation by turning the wheel by hand, and then briefly turning on the product at idle. If beating occurs when grinding stones vibrate, the following procedure must be followed.

1. Unscrew the covers of the protective casing
2. Loosen the nut that clamps the whetstone
3. Rotate the stone relative to the rotor shaft for □ 15 minutes □
4. Tighten the clamping nut
5. Check the runout of the stone, if the runout remains, repeat the procedure until the runout is eliminated
6. It may be necessary to turn the stone over to eliminate runout

Operations to reinstall this circle.

- ▶ **Before replacing, you need to register this; by any manipulations with the power tool, pull out the plug from the socket.**

Dust/chip extraction

Dust from materials such as lead-containing coatings, some wood types, minerals and metal can be harmful to one's health. Touching or breathing-in the dust can cause allergic

reactions and/or lead to respiratory infections of the user or bystanders.

Certain dust, such as oak or beech dust, is considered carcinogenic, especially in connection with wood-treatment additives (chromate, wood preservative). Materials containing asbestos may only be worked by specialists.

- Provide for good ventilation of the working place.
- It is recommended to wear a P2 filter-class respirator.

Observe the relevant regulations in your country for the materials to be worked.

- ▶ **Avoid dust accumulation at the workplace.** Dust can easily ignite.

Operation

Starting operation

- ▶ **Pay attention to the mains voltage. The voltage of the power source must match the voltage specified on the rating plate of the power tool. Power tools marked with 230 V can also be operated with 220 V.**
- ▶ **Always check abrasive tools before using them. The abrasive tool must be fitted properly and be able to move freely. Carry out a test run for at least one minute with no load. Do not use abrasive tools that are damaged, run untrue or vibrate during use.** Damaged abrasive tools can burst apart and cause injuries.

Switching On and Off

- To start the power tool, push the on/off switch into position □ I □.
- To switch off the power tool, push the on/off switch into position "0".

Due to the design feature of the machine, there are no ventilation holes; the motor housing can heat up. It is necessary to specify the time frame for the operation of the machine before starting work, you need to wait until the machine reaches maximum speed

- ▶ **Switch the power tool on before bringing the workpiece into contact with it and only switch the power tool off after you have removed the workpiece.** The workpiece can move suddenly.
- ▶ **Never reach into the power tool grinding wheel when it is running.** This can lead to serious injuries.
- ▶ **Wear a work apron. Ensure that no persons are at risk due to flying sparks. Remove combustible materials from the surrounding area.** Flying sparks are

created when sanding metals.

Use silicon carbide grinding discs when working carbide (TC) workpieces.

- Place the workpiece you intend to grind onto the workpiece support and press it lightly against the grinding wheel. To achieve optimal grinding results, move the workpiece gently back and forth. This also ensures that the grinding wheel is worn off evenly.
- Cool off the workpiece in water at intervals.

Transport

- Remove all accessories that cannot be securely fitted to the power tool.
- Wind up the network cable completely and tie it together.
- To lift or transport the power tool, hold it from below by the two protective guards. You can support the power tool in the area of the holes for mounting.
- ▶ **Never use the spark arrestor or workpiece support when transporting the power tool.**

Maintenance and service

Maintenance and cleaning

- ▶ **Pull the plug out of the socket before carrying out any work on the power tool.**
- ▶ **To ensure safe and efficient operation, always keep the power tool and the ventilation slots clean.**

In order to avoid safety hazards, if the power supply cord needs to be replaced, this must be done by P.I.T. or by an after-sales service centre that is authorised to repair P.I.T. power tools.

Service

- ▶ Have your power tool repaired only by qualified personnel and only with original replacement parts. This ensures the safety of the power tool.

The list of authorized service centers can be viewed on the official website of P.I.T. by the link: <https://pittools.ru/servises/>


Storage and transportation

Store the instrument in an enclosed area with natural ventilation in its packaging at an air temperature from 0 ° C to + 50 ° C and an air humidity of no more than 80%.

Products can be transported by any type of closed transport in the manufacturer's packaging or without it, while preserving the product from mechanical damage, atmospheric precipitation. Remove the exchange tool from

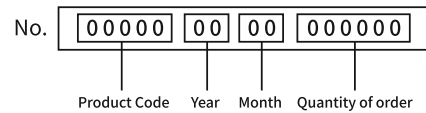
the power tool before transporting it.

Dispose of waste

 Damaged power tools, batteries, accessories and waste packaging materials must be recycled and reused in an environmentally friendly manner.

Do not throw power tools and accumulators / batteries into general household waste!

Product serial number interpretation serial number



The date of manufacture of the product is encoded in the serial number printed on the body of the tool. The first 2 digits indicate the year of issue, the next 2 digits indicate the month.

TERMS OF WARRANTY SERVICE

To customers (users) of warranty service:

1. This warranty certificate is the only document that confirms your right to free warranty service. If this proof is not presented, no claims will be accepted. Warranty certificates cannot be recovered if lost or damaged.
2. It is required to provide a valid and legal document for purchasing the product. The document must have the name or seal of the sales company; at the same time, state the full model name of the purchased P.I.T. product, the serial number on the nameplate of the fuselage, and the date of purchase, and the required warranty. The whole machine and its accessories.

The warranty period:

1. The warranty period of the product is 12 months from the date of sale. During the warranty period, the service department will eliminate manufacturing defects free of charge and replace the parts that fail due to the manufacturer's fault. In warranty repair, an equivalent operable product is not provided. Replaceable parts become the property of the service provider.
2. The wear degree on the diameter of the motor rotor commutator is less than 0.4 mm (except for brushless motor tools), and the internal damage caused by the quality of the tool belongs to the warranty.

The following situations occur during the warranty period, which is not covered by the warranty:

1. In the absence of any valid legal documents (invoices) such as warranty certificates and warranty cards to prove the date of purchase.

2. Damage caused by natural wear and overload. (For example, motor rotor and stator failure caused by overload, scorching or melting of the primary winding of the welding machine transformer, charging or starting the charging device, melting of internal parts, burning of electronic circuit boards, etc.)

3. The casing and power cord are mechanically damaged, as well as damage caused by corrosive media and high and low temperature, foreign objects entering the ventilation network of the motor, and damage caused by improper storage (corrosion of metal parts);

4. Damage caused by improper carrying, transportation and storage by users.

5. Products that are opened, repaired, replaced or modified by users themselves.

6. Any damage caused by indiscriminate use, beyond the scope of use of the tool, and not in accordance with the instructions for use and maintenance. (see chapter □ Safety Precautions □ in the manual);

7. The damage caused by the following situations is not guaranteed due to improper use and non-quality problems:

(1) When the power tool is running at high speed, use the braking device to forcibly stop the rotation.

(2) Excessive pressure is applied to the tool during the use of the tool.

(3) Use the tool outside the scope of its purpose and capabilities.

(4) Damage caused by the tool working in a dusty environment for a long time without timely maintenance of the tool.

(5) Change the rotation direction of the work head before the tool stops completely.

(6) Shock the battery or charger and replace the plug of the charger without permission, causing damage to the battery or charger.

(7) Damage caused by two-stroke gasoline tools not being fueled in the correct proportions.

The warranty does not include:

1. Replacement of accessories (accessories and components) such as batteries, discs, blades, drills, chucks, chains, sprockets, collet clamps, guide rails, tension and fastening elements, dresser heads, grinders And belt sander base machine, hexagonal head, etc.;

2. Wearing parts, such as: carbon brushes,

transmission belts, seals, protective covers, guide rollers, guide rails, rubber seals, bearings, toothed belts and wheels, shanks, brake belts, starter ratchets and ropes, piston rings Wait.

The above accessories are replaced with paid services during the warranty period;

Русский

Общие указания по технике безопасности для электроинструментов

ПРЕДУПРЕЖДЕНИЕ Прочтите все указания и инструкции по технике безопасности. Несоблюдение указаний и инструкций по технике безопасности может стать причиной поражения электрическим током, пожара и тяжелых травм.

Сохраняйте эти инструкции и указания для будущего использования.

Использованное в настоящих инструкциях и указаниях понятие «электроинструмент» распространяется на электроинструмент с питанием от сети (с сетевым шнуром) и на аккумуляторный электроинструмент (без сетевого шнура).

Безопасность рабочего места

- ▶ **Содержите рабочее место в чистоте и хорошо освещенным.** Беспорядок или неосвещенные участки рабочего места могут привести к несчастным случаям.
- ▶ **Не используйте электроинструменты во взрывоопасных средах, например, в присутствии легковоспламеняющихся жидкостей, газов или пыли.** Электроинструменты создают искры, которые могут стать причиной воспламенения пыли или паров.
- ▶ **Во время работы электроинструмента не допускайте присутствия детей и других лиц.** Отвлечение внимания может привести к потере контроля.

Электробезопасность

- ▶ **Штепсельная вилка электроинструмента должна подходить к штепсельной розетке.** Ни в коем случае не вносите изменения в штепсельную вилку. Не применяйте переходные штекеры для электроинструментов с защитным заземлением. Неизмененные штепсельные вилки и подходящие штепсельные розетки снижают риск поражения электротоком.
- ▶ **Предотвращайте телесный контакт с заземленными поверхностями, как то: с трубами, элементами отопления, кухонными плитами и холодильниками.** При заземлении Вашего тела повышается риск поражения электротоком.
- ▶ **Защищайте электроинструмент от дождя и сырости.** Проникновение воды в электроинструмент повышает риск

поражения электротоком.

- ▶ **Не разрешается использовать шнур не по назначению.** Никогда не используйте шнур для транспортировки или подвески электроинструмента, или для извлечения вилки из штепсельной розетки. Защищайте шнур от воздействия высоких температур, масла, острых кромок или подвижных частей электроинструмента. Поврежденный или спутанный шнур повышает риск поражения электротоком.
- ▶ **При работе с электроинструментом под открытым небом применяйте пригодные для этого кабелиудлинители.** Применение пригодного для работы под открытым небом кабеля-удлинителя снижает риск поражения электротоком.
- ▶ **Если невозможно избежать применения электроинструмента в сыром помещении, подключайте электроинструмент через устройство защитного отключения.** Применение устройства защитного отключения снижает риск электрического поражения.

Безопасность людей

- ▶ **Будьте внимательны, следите за тем, что делаете, и продуманно начинайте работу с электроинструментом.** Не пользуйтесь электроинструментом в усталом состоянии или под воздействием наркотиков, алкоголя или лекарственных средств. Один момент невнимательности при работе с электроинструментом может привести к серьезным травмам.
- ▶ **Применяйте средства индивидуальной защиты. Всегда носите защитные очки.** Использование средств индивидуальной защиты, как то: защитной маски, обуви на нескользящей подошве, защитного шлема или средств защиты органов слуха, в зависимости от вида работы с электроинструментом снижает риск получения травм.
- ▶ **Предотвращайте непреднамеренное включение электроинструмента.** Перед тем как подключить электроинструмент к сети и/или к аккумулятору, поднять или переносить электроинструмент, убедитесь, что он выключен. Удержание пальца на выключателе при транспортировке электроинструмента и подключение к сети питания включенного электроинструмента чревато

несчастными случаями.

- ▶ **Убирайте установочный инструмент или гаечные ключи до включения электроинструмента.** Инструмент или ключ, находящийся во вращающейся части электроинструмента, может привести к травмам.
- ▶ **Не принимайте неестественное положение корпуса тела. Всегда занимайте устойчивое положение и сохраняйте равновесие.** Благодаря этому Вы можете лучше контролировать электроинструмент в неожиданных ситуациях.
- ▶ **Носите подходящую рабочую одежду. Не носите широкую одежду и украшения. Держите волосы и одежду вдали от подвижных деталей.** Широкая одежда, украшения или длинные волосы могут быть затянута вращающимися частями.
- ▶ **При наличии возможности установки пылеотсасывающих и пылесборных устройств проверяйте их присоединение и правильное использование.** Применение пылесоса может снизить опасность, создаваемую пылью.
- ▶ **Хорошее знание электроинструментов, полученное в результате частого их использования, не должно приводить к самоуверенности и игнорированию техники безопасности обращения с электроинструментами.** Одно небрежное действие за долю секунды может привести к серьезным травмам.
- ▶ **ВНИМАНИЕ!** В случае возникновения перебоя в работе электроинструмента вследствие полного или частичного прекращения энергоснабжения или повреждения цепи управления энергоснабжением установите выключатель в положение Выкл., убедившись, что он не заблокирован (при его наличии). Отключите сетевую вилку от розетки или отсоедините съёмный аккумулятор. Этим предотвращается неконтролируемый повторный запуск.
- ▶ **Квалифицированный персонал в соответствии с настоящим руководством подразумевает лиц, которые знакомы с регулировкой, монтажом, вводом эксплуатацию обслуживанием электроинструмента.**
- ▶ **К работе с электроинструментом допускаются лица не моложе 18 лет, изучившие техническое описание, инструкцию по эксплуатации и правила безопасно-**

сти.

- ▶ Изделие не предназначено для использования лицами (включая детей) с пониженными физическими, чувственными или умственными способностями или при отсутствии у них жизненного опыта или знаний, если они не находятся под контролем или не проинструктированы об использовании электроинструмента лицом, ответственным за их безопасность.

Применение электроинструмента и обращение с ним

- ▶ **Не перегружайте электроинструмент. Используйте для работы соответствующий специальный электроинструмент.** С подходящим электроинструментом Вы работаете лучше и надежнее в указанном диапазоне мощности.
- ▶ **Не работайте с электроинструментом при неисправном выключателе.** Электроинструмент, который не поддается включению или выключению, опасен и должен быть отремонтирован.
- ▶ **Перед тем как настраивать электроинструмент, заменять принадлежности или убирать электроинструмент на хранение, отключите штепсельную вилку от розетки сети и/или выньте, если это возможно, аккумулятор.** Эта мера предосторожности предотвращает непреднамеренное включение электроинструмента.
- ▶ **Храните электроинструменты в недоступном для детей месте. Не разрешайте пользоваться электроинструментом лицам, которые не знакомы с ним или не читали настоящих инструкций.** Электроинструменты опасны в руках неопытных лиц.
- ▶ **Тщательно ухаживайте за электроинструментом и принадлежностями. Проверяйте безупречную функцию и ход движущихся частей электроинструмента, отсутствие поломок или повреждений, отрицательно влияющих на функцию электроинструмента. Поврежденные части должны быть отремонтированы до использования электроинструмента.** Плохое обслуживание электроинструментов является причиной большого числа несчастных случаев.
- ▶ **Держите режущий инструмент в за-**

точном и чистом состоянии. Заботливо ухоженные режущие инструменты с острыми режущими кромками режут заклиниваются и их легче вести.

- ▶ Применяйте электроинструмент, принадлежности, рабочие инструменты и т.п. в соответствии с настоящими инструкциями. Учитывайте при этом рабочие условия и выполняемую работу. Использование электроинструментов для непредусмотренных работ может привести к опасным ситуациям.
- ▶ Держите ручки и поверхности захвата сухими и чистыми, следите чтобы на них не было жидкой или консистентной смазки. Скользкие ручки и поверхности захвата препятствуют безопасному обращению с инструментом и не дают надежно контролировать его в непредвиденных ситуациях.

Указания по технике безопасности для настольных шлифовальных машин

- ▶ После покупки необходимо включить изделие на 5 минут без нагрузки, с целью проверки правильности установки всех деталей и плавности работы изделия. Необходимо немедленно отключить изделие при обнаружении вибрации.
- ▶ Не применяйте поврежденный рабочий инструмент. Проверяйте каждый раз перед использованием устанавливаемые принадлежности, как то: шлифовальные круги на сколы и трещины. После проверки и закрепления рабочего инструмента Вы и все находящиеся вблизи лица должны занять положение за пределами плоскости вращения инструмента, после чего включите электроинструмент на одну минуту на максимальное число оборотов без нагрузки. Поврежденный рабочий инструмент разрушается в большинстве случаев за это время контроля.
- ▶ Допустимое число оборотов рабочего инструмента должно быть не менее указанного на электроинструменте максимального числа оборотов. Рабочий инструмент, вращающийся с большей, чем допустимо, скоростью, может разорваться и разлететься в пространстве.

- ▶ Для установки точильных кругов должны применяться только прижимные шайбы, поставляемые вместе с электрооборудованием.
- ▶ Запрещено работать с поврежденными заточными кругами.
- ▶ Запрещено рассверливать посадочное отверстие заточных кругов.
- ▶ Запрещено эксплуатировать электрооборудование без защитных кожухов.
- ▶ Опоры для заготовки и защитные экраны должны быть установлены как можно ближе к точильному диску. Максимальное расстояние между опорой и точильным диском не должно превышать 2 мм.
- ▶ Никогда не шлифуйте боковой поверхностью шлифовального круга. При шлифовании боковой поверхностью шлифовальный круг может растрескаться и разлететься в разные стороны.
- ▶ Используйте защитные очки.
- ▶ Никогда не отходите от электроинструмента до его полной остановки. Рабочий инструмент на выбеге может стать причиной травм.
- ▶ Храните электроинструмент и принадлежности, которыми Вы не пользуетесь, в надежном месте. Место для хранения должно быть сухим и должно закрываться на ключ. Этим предотвращается возможность повреждения электроинструмента при хранении или вследствие использования неопытными лицами.
- ▶ Регулярно проверяйте шнур питания и если требуется поменять шнур, во избежание опасности обращайтесь в авторизованную сервисную мастерскую для электроинструментов P.I.T. Этим обеспечивается безопасность электроинструмента.
- ▶ Включайте инструмент в заземленную надлежащим образом сеть. В розетке и удлинителе должен быть исправный защитный провод.
- ▶ Содержите рабочее место в чистоте. Смеси материалов особенно опасны. Пыль легких металлов может возгораться или взрываться.
- ▶ Защищайте шлифовальный инструмент от ударов, толчков или жирных пятен.

Описание продукта и услуг



Прочтите все указания и инструкции по технике безопасности.

Упущения в отношении указаний и инструкций по технике безопасности могут стать причиной поражения электрическим током, пожара и тяжелых травм.

Применение по назначению

Электроинструмент предназначен для затачивания инструментов, шлифования и снятия заусенцев с металла. Используйте электроинструмент только в кратковременном режиме нужно прописать временные режимы работы.

Изображенные составные части

Нумерация представленных компонентов выполнена по изображению на странице с иллюстрациями.

- 1 Защитный кожух
- 2 Фиксатор защитного стекла
- 3 Защитное стекло
- 4 Металлический упор (опора для заготовки)
- 5 Фиксатор упора
- 6 Отверстия для крепления
- 7 On/Off Выключатель
- 8 Резиновые опоры
- 9 Выключатель лампы
- 10 LED-лампа
- 11 Защитный кожух
- 12 Прижимная гайка
- 13 Прижимной фланец
- 14 Шлифовальный круг (установлен)
- 15 Опорный фланец
- 16 Винты крепления крышки кожуха
- 17 Крепление для защиты от искр
- 18 Крепёжные гайки

Технические характеристики

Модель	PBG150-C2
Напряжение / Частота	220-240В 50/60Гц
Номинальная потребляемая мощность	300 Вт
Частота вращения	2950/3500 об/мин
Диаметр диска	Ø150 мм
Вес	7 кг

Комплект поставки

- | | |
|--|------|
| Точильный станок | 1 шт |
| Металлические упоры с комплектом крепления | 2 шт |
| Защитное стекло с комплектом крепления | 2 шт |

- | | |
|--------------------------------|------|
| Круг шлифовальный(установлено) | 2 шт |
| Лампа подсветки | 1 шт |
| Руководство по эксплуатации | 1 шт |

Примечание

В тексте и цифровых обозначениях инструкции могут быть допущены технические ошибки и опечатки.

Так как инструмент P.I.T. постоянно совершенствуется, компания оставляет за собой право вносить изменения в указанные здесь технические характеристики и комплектацию без предварительного уведомления.

Сборка

► Перед любыми манипуляциями с электроинструментом вытаскивайте штепсель из розетки.

- Закрепите электроинструмент соответствующими винтами в предусмотренных для этого четырех отверстиях на верстаке / рабочей плите.

Монтаж защиты от искр/опоры для заготовки(см. рис. А-С)

- Монтируйте крепление для защиты от искр с помощью двух винтов.
- Прикрепите с помощью винтов защиту от искр к креплению для защиты от искр.
- Монтируйте опору для заготовки, как изображено на рисунке.

► Регулярно проверяйте расстояние между опорой для заготовки или креплением для защиты от искр и шлифовальным кругом, при необходимости отрегулируйте его. Расстояние от шлифовального круга не должно превышать 2 мм. При превышении этого расстояния не обеспечивается должная защита от искр. Вращающийся шлифовальный круг может затянуть заготовку, что чревато травмами.

► Используйте электроинструмент только с защитой от искр и наклоняйте ее как можно ниже. Искры представляют собой опасность для глаз и могут привести к возгоранию.

► Используйте электроинструмент только с установленной опорой для заготовки. Не меняйте местами правую и левую опору для заготовки. Иначе расстояние между опорой для заготовки и шлифовальным кругом будет слишком большим. При превышении этого расстояния не обеспечивается

должная защита от искр. Вращающийся шлифовальный круг может затянуть заготовку, что чревато травмами.

- ▶ Для компенсации износа заточных кругов следует периодически проводить регулировку расстояния между опорой для заготовки и заточным кругом.
- ▶ Для регулировки: ослабьте винт (5), отрегулируйте расстояние между упором и шлифовальным диском, затяните винт (5), проверьте надежность фиксации упора.

Освещение(см. рис. D)

- ▶ После включения электроинструмента нажмите на выключатель лампы подсветки чтобы включить ее, для выключения подсветки - нажмите выключатель еще раз.

Смена шлифовальных кругов

- ▶ **Допустимое число оборотов шлифовального круга должно быть не менее указанного на электроинструменте максимального числа оборотов.** Шлифовальный круг, вращающийся с большей, чем допустимо, скоростью, может разорваться и разлететься в пространстве.
- ▶ Шлифовальные круги, диаметр которых превышает данные, указанные на электроинструменте, использовать не разрешается.
- ▶ **Используйте электроинструмент только с установленными на оба шпинделя шлифовальные круги.** Это позволит избежать контакта с вращающимися шпинделями.

Меняйте шлифовальный круг, если крепление тут наверное подразумевается упор больше настроить на расстояние от шлифовального круга макс. 2 мм.

- Отключите станок выдерните штепсельную вилку три винта (16) на крышке и снимите крышку. Крепко держите шлифовальный шпиндель гаечным ключом и открутите зажимную гайку (12) со шлифовального шпинделя.
- Примечание! Важно знать, что на правом конце шпинделя нанесена правая резьба, на левом, соответственно, левая. Такие технические особенности введены специально, для того чтобы предотвратить откручивание фиксирующих гаек в процессе вращения шпинделя.
- Снимите прижимной фланец (13) и шли-

фовальный круг (14) со шлифовального шпинделя.

- Монтаж нового шлифовального круга производится в обратной последовательности. Снова наденьте крышку, крепко прижав ее, и прикрутите ее с помощью трех винтов.

После замены круга проверьте его биение и свободу вращения, прокрутив круг рукой, а затем кратковременным включением изделия на холостом ходу. В случае появления биения при вибрации точильных камней необходимо произвести следующий регламент действий.

- 1.Открутить крышки защитного кожуха
 - 2.Ослабляем гайку которая зажимает точильный камень
 - 3.Проворачиваем камень относительно вала ротора на «15 минут»
 - 4.Затягиваем зажимную гайку
 - 5.Проверяем биение камня , если биение осталась , повторяем процедуру до устранения биения
 - 6.Бывает необходимость перевернуть камень для устранения биения
- Операции по переустановке данного круга.

- ▶ **Пред заменой нужно это прописать любыми манипуляциями с электроинструментом вытаскивайте штепсель из розетки.**

Подготовка к работе

Перед началом работы: проверьте и, при необходимости, отрегулируйте: крепление кругов, зазоры искрогасителя и упора (см. раздел Сборка); отрегулируйте положение защитных стеккол, при котором исключается попадание раскаленных частиц в оператора; очистите рабочее место и, особенно, упоры от посторонних предметов; приготовьте обрабатываемые заготовки; приготовьте и наденьте средства защиты (перчатки, рукавицы, защитные очки, наушники).

Работа с инструментом

- ▶ **Внимание! При подключении изделия к сети убедитесь, что клавиша выключателя находится в выключенном положении.**

Включение/выключение

- Чтобы **включить** электроинструмент, наклоните выключатель в положение «I».
- Чтобы **выключить** электроинструмент, наклоните выключатель в положение

«0».

У станка из-за конструктивной особенности нет вентиляционный отверстий отверстий корпус электродвигателя может нагреваться. Нужно обязательно прописать временные рамки работы станка по перед началом работ, нужно подождать когда станок выйдет на максимальные обороты

- ▶ Подводите заготовку только к включенному электроинструменту и сразу выключайте электроинструмент, отняв от него заготовку. Заготовка может внезапно переместиться.
- ▶ Никогда не прикасайтесь к вращающемуся шлифовальному кругу электроинструмента. Это может привести к тяжелым травмам.
- ▶ Надевайте защитный фартук. Следите за тем, чтобы другие лица не подвергались опасности вследствие разлетающихся искр. Удаляйте горючие материалы, находящиеся поблизости. При шлифовании металлов разлетаются искры.

Используйте для обработки твердосплавных заготовок шлифовальные круги на основе карбида кремния.

- Положите обрабатываемую заготовку на опору для заготовки и слегка прижмите ее к шлифовальному кругу. Для достижения оптимальных результатов шлифования слегка перемещайте заготовку влево-вправо. Этим достигается равномерный износ шлифовального круга.
- Время от времени охлаждайте заготовку в воде.
- **ПРИМЕЧАНИЕ!** Усиление давления на шлифовальный круг не ускорит процесса заточки, но приведет к перегреву заготовки, а также может привести к перегрузке и выходу из строя двигателя изделия.
- **Внимание!** Во время работы круги могут нагреваться, а после выключения еще некоторое время продолжают вращаться. Дождитесь полной остановки и остывания кругов.

Техобслуживание и сервис

Техобслуживание и очистка

- ▶ Перед любыми манипуляциями с электроинструментом вытаскивайте штепсель из розетки.
- ▶ Для обеспечения качественной и безопасной работы содержите элек-

троинструмент и вентиляционные прорези в чистоте.

Если требуется поменять шнур, во избежание опасности обращайтесь на фирму P.I.T. или в авторизованную сервисную мастерскую для электроинструментов P.I.T.

Сервис

- ▶ Ремонт вашего электроинструмента поручайте только квалифицированному персоналу и только с применением оригинальных запасных частей. Этим обеспечивается безопасность электроинструмента.

Список авторизованных сервисных центров можно посмотреть на официальном сайте P.I.T. по ссылке: <https://pittools.ru/services/>

Хранение и транспортировка

Храните инструмент в закрытых помещениях с естественной вентиляцией в упаковке при температуре воздуха от 0°C до +50°C и влажности воздуха не более 80%.

Транспортировать продукцию можно любым видом закрытого транспорта в упаковке производителя или без нее, с сохранением изделия от механических повреждений, атмосферных осадков. Перед транспортировкой извлеките сменный инструмент из электроинструмента.

Утилизация



Отслужившие свой срок электроинструменты, принадлежности и упаковку следует сдавать на экологически чистую переработку отходов.

Утилизируйте электроинструмент отдельно от бытового мусора!

Расшифровка даты изготовления изделия

No.	000000		00		00		000000	
	Код продукта		Год		Месяц		Номер в партии	

Дата изготовления изделия зашифрована в серийном номере, напечатанном на корпусе инструмента. Первые 2 цифры обозначают год выпуска, следующие 2 цифры – месяц.

УСЛОВИЯ ГАРАНТИЙНОГО ОБСЛУЖИВАНИЯ

1. Настоящее гарантийное свидетельство является единственным документом, подтверждающим ваше право на бесплатное гарантийное обслуживание. Без предъявления данного свидетельства претензии

не принимаются. В случае утери или порчи гарантийное свидетельство не восстанавливается.

2. Гарантийный срок указан в гарантийном сертификате. В течение гарантийного срока сервисная служба бесплатно устраняет производственные дефекты и производит замену деталей, вышедших из строя по вине изготовителя. На период гарантийного ремонта эквивалентный исправный инструмент не предоставляется. Заменяемые детали переходят в собственность служб сервиса.

Компания Р.И.Т. не несет ответственности за вред, который может быть причинен при работе с электроинструментом.

3. В гарантийный ремонт инструмент принимается в чистом виде, при обязательном наличии надлежащим образом оформленных документов: настоящего гарантийного свидетельства, гарантийного талона, с полностью заполненными полями, штампом торговой организации и подписью покупателя.

4. Гарантийный ремонт не производится в следующих случаях:

- при отсутствии гарантийного свидетельства и гарантийного талона или неправильном их оформлении;
- степень износа диаметра коллектора ротора двигателя превышает 0,4 мм (за исключением инструментов с бесщеточным двигателем);
- при совместном выходе из строя якоря и статора электродвигателя, при обугливание или оплавлении первичной обмотки трансформатора сварочного аппарата, зарядного или пуско-зарядного устройства, при оплавлении внутренних деталей, прожиге электронных плат и других случаях;
- если гарантийное свидетельство или талон не принадлежат данному электроинструменту или не соответствует установленному поставщиком образцу;
- по истечении срока гарантии;
- при попытках самостоятельного вскрытия или ремонта электроинструмента вне гарантийной мастерской;
- внесения конструктивных изменений и смазки инструмента в гарантийный период, о чем свидетельствуют, например, заломы на шлицевых частях крепежа корпусных деталей;
- при использовании электроинструмента в производственных или иных целях, связанных с получением прибыли, а также при

возникновении неисправностей связанных с нестабильностью параметров электросети, превышающих нормы, установленные ГОСТ;

- при неправильной эксплуатации, использованию электроинструмента не по назначению, указанному в инструкции по эксплуатации, установки на электроинструмент не предназначенных заводом-изготовителем насадок, дополнительных приспособлений и т.п.;

- при механических повреждениях корпуса, сетевого шнура и при повреждениях, вызванных воздействиями агрессивных средств и высоких и низких температур, попадании инородных предметов в вентиляционные решетки электроинструмента, а также при повреждениях, наступивших в результате неправильного хранения (коррозия металлических частей);

- при естественном износе деталей электроинструмента, в результате длительной эксплуатации (определяется по признакам полной или частичной выработки ресурса, сильного загрязнения, ржавчины снаружи и внутри электроинструмента, отработанной смазки в редукторе);

- при возникновении повреждений в связи с несоблюдением предусмотренных инструкцией условий эксплуатации (см. главу «Указание по технике безопасности» в инструкции).

- при повреждении изделия вследствие несоблюдения правил хранения и транспортировки;

- при сильном внутреннем загрязнении инструмента;

- при работе с перегрузкой бензоинструмента, изменении цвета чашки и муфты сцепления в результате перегрева;

- при обрыве шнура стартера при условии исправности остальных деталей пускового устройства;

- на все виды работ, выполняемые при периодическом техническом обслуживании (регулировки, чистке, замене расходных материалов и др.);

- на неисправности, возникшие в результате нарушения требований и правил эксплуатации, установленным паспортом изделия. Например, перегрев изделия, несоблюдение требований к составу и качеству топливной смеси, повлекших выход из строя поршневой группы (безусловным признаком этого является залегание поршневого кольца и/или наличие царапин и

потертостей на внутренней поверхности цилиндра и поверхности поршня, разрушение или оплавление опорных подшипников шатуна и поршневого пальца);

- на внешние и внутренние загрязнения, царапины, трещины, повреждения, возникшие в процессе эксплуатации или транспортировки.

- при работе электроинструментом с перегрузкой и заклиниванием оснастки, о чем свидетельствуют задиры, изменение цвета от температуры упорных и прижимных шайб, зажимного патрона, выхода из строя редуктора.

Профилактическое обслуживание электроинструмента (чистка, промывка, смазка, замена пыльников, поршневых и уплотнительных колец) в гарантийный период является платной услугой.

Срок службы изделия составляет 3 года.

Срок хранения – 2 года. Не рекомендуется к эксплуатации по истечении 2 лет хранения с даты изготовления, которая указана в серийном номере на этикетке инструмента, без предварительной проверки (определение даты выпуска смотрите ранее в Руководстве пользователя).

О возможных нарушениях, изложенных выше условий гарантийного обслуживания, владельцу сообщается после проведения диагностики в сервисном центре. Владелец инструмента доверяет проведение диагностики в сервисном центре в свое отсутствие.

Запрещается эксплуатация электроинструмента при проявлении признаков повышенного нагрева, искрения, а также шума в редукторной части. Для выяснения причин неисправности покупателю следует обратиться в гарантийную мастерскую.

Неисправности, вызванные несвоевременной заменой угольных щеток двигателя, устраняются за счет покупателя.

5. Гарантия не распространяется на:

- сменные принадлежности (аксессуары и оснастка), например: аккумуляторы, диски, ножи, сверла, буры, патроны, цепи, звездочки, цанговые зажимы, шины, элементы натяжения и крепления, головки триммеров, подошвы шлифовальных и ленточных машин, фильтры, головки шестигранные сменные насадки и т.п.

- быстроизнашивающиеся детали, например: угольные щетки, приводные ремни, сальники, защитные кожухи, направляющие ролики, направляющие, резиновые

уплотнения, подшипники, зубчатые ремни и колеса, стволы, ленты тормоза, храповики и тросы стартеров, поршневые кольца и т.п.

Замена их в течение гарантийного срока является платной услугой.

- шнуры питания, в случае повреждения изоляции. В данном случае потребитель должен быть уведомлен и ремонт (услуга платная) должен быть выполнен после согласия потребителя. Если потребитель не согласен на замену, то в любом ремонте этого инструмента будет отказано. Факт отказа должен быть зафиксирован в гарантийном талоне или квитанции сервисного центра и подписан владельцем.

P.I.T. WARRANTY CERTIFICATE

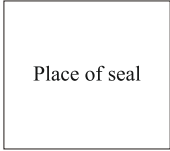
Product Name _____

Product Serial Number

Charger Serial Number

Sale Date _____

Trade Organization Name _____



Dear customer!

Thank you for purchasing the P.I.T. tool, and we hope that you will be satisfied with your choice. In the process of manufacturing the P.I.T. tools pass multilevel quality control, if nevertheless your product will need maintenance, please contact the authorized P.I.T. service centers.

Attention!

When buying, ask a seller to check the completeness and operability of the tool, to fill out the Warranty Certificate, the Warranty Card (the boxes shall be filled out by a seller) and to affix the seal of the trade organization in the Guarantee Certificate and the Warranty Card.

Warranty

By this Warranty Certificate, P.I.T. company guarantees the absence of defects of the production nature.

In the event any of the above defects are detected during the warranty period, the specialized P.I.T. service centers shall repair the product and replace the defective spare parts free of charge.

The warranty period for P.I.T. electric machines is 12 months from the date of sale.

The warranty maintenance terms acknowledged and accepted. The operability and completeness of the product are checked in my presence. No claims on quality and appearance.

Buyer's Signature _____ Surname (legibly) _____

Phone _____

ГАРАНТИЙНОЕ СВИДЕТЕЛЬСТВО НА ИНСТРУМЕНТ P.I.T.

Наименование изделия _____

Серийный номер изделия □□□□□□□□□□

Серийный номер зарядного устройства □□□□□□□□□□

Дата продажи « ____ » _____

Наименование торговой организации _____

Уважаемый покупатель!



М.П.

Благодарим Вас за покупку инструмента P.I.T. и надеемся, что Вы останетесь довольны своим выбором.

При необходимости обслуживания Вашего изделия обращайтесь в авторизованные сервисные центры P.I.T. Все сервисные центры представлены на сайте www.pittools.ru

Внимание!

При покупке требуйте у продавца проверки работоспособности инструмента и его комплектности, а также заполнения гарантийного свидетельства, гарантийного талона (графы «Заполняются продавцом») и простановки печати торговой организации в гарантийном свидетельстве и гарантийных талонах.

Гарантия

На основании данного гарантийного свидетельства компания P.I.T. гарантирует отсутствие дефектов производственного характера.

Если в течение гарантийного срока в Вашем изделии обнаружатся указанные дефекты, то специализированные сервисные центры P.I.T. бесплатно отремонтируют изделие и заменят дефектные запасные части.

Гарантийный срок на электроинструменты P.I.T. составляет 12 месяцев со дня продажи.

«С условиями гарантийного обслуживания ознакомлен(а). Работоспособность и комплектность изделия проверены в моем присутствии. Претензий к качеству и внешнему виду не имею».

Подпись покупателя _____ Фамилия (разборчиво) _____

Телефон _____

P.I.T. WARRANTY CARD

Name Serial Number Sale Date Date of Receipt from Repair	P.I.T.		№ 1
	Name _____		Place of Seal
	Serial Number _____		
	Sale Date _____ 20__		
	(Filled out by a Seller)		
	WARRANTY REPAIR CARD		
	Date of Acceptance for Repair _____ 20__		
	Application for Repair _____		
	Customer _____		
	Phone (Address) _____		
Cause of Application _____			
Date of Receipt from Repair _____ 20__			
The Tool is checked in my presence _____			
(The Order shall be performed in a Service Center) (Signature)			

Name Serial Number Sale Date Date of Receipt from Repair	P.I.T.		№ 2
	Name _____		Place of Seal
	Serial Number _____		
	Sale Date _____ 20__		
	(Filled out by a Seller)		
	WARRANTY REPAIR CARD		
	Date of Acceptance for Repair _____ 20__		
	Application for Repair _____		
	Customer _____		
	Phone (Address) _____		
Cause of Application _____			
Date of Receipt from Repair _____ 20__			
The Tool is checked in my presence _____			
(The Order shall be performed in a Service Center) (Signature)			

Name Serial Number Sale Date Date of Receipt from Repair	P.I.T.		№ 3
	Name _____		Place of Seal
	Serial Number _____		
	Sale Date _____ 20__		
	(Filled out by a Seller)		
	WARRANTY REPAIR CARD		
	Date of Acceptance for Repair _____ 20__		
	Application for Repair _____		
	Customer _____		
	Phone (Address) _____		
Cause of Application _____			
Date of Receipt from Repair _____ 20__			
The Tool is checked in my presence _____			
(The Order shall be performed in a Service Center) (Signature)			




ГАРАНТИЙНЫЙ ТАЛОН P.I.T.

P.I.T.		Талон № 1	
Наименование _____			
Серийный номер _____			
Дата продажи « ____ » _____ 20__		Место печати или штампа	
(Заполняется продавцом)			
КАРТА ГАРАНТИЙНОГО РЕМОНА			
Дата приема ремонт _____ 20__			
Заявка на ремонт _____			
Заказчик _____			
Телефон (адрес) _____			
Причина обращения _____			
Дата получения от ремонта _____ 20__			
Инструмент проверен в моем присутствии _____			
(Заказ заполняется в Сервисном Центре) (Подпись)			
	Наименование _____	Серийный номер _____	Дата продажи _____ 20__
			Дата получения от ремонта _____ 20__
P.I.T.		Талон № 2	
Наименование _____			
Серийный номер _____			
Дата продажи « ____ » _____ 20__		Место печати или штампа	
(Заполняется продавцом)			
КАРТА ГАРАНТИЙНОГО РЕМОНА			
Дата приема ремонт _____ 20__			
Заявка на ремонт _____			
Заказчик _____			
Телефон (адрес) _____			
Причина обращения _____			
Дата получения от ремонта _____ 20__			
Инструмент проверен в моем присутствии _____			
(Заказ заполняется в Сервисном Центре) (Подпись)			
	Наименование _____	Серийный номер _____	Дата продажи _____ 20__
			Дата получения от ремонта _____ 20__
P.I.T.		Талон № 3	
Наименование _____			
Серийный номер _____			
Дата продажи « ____ » _____ 20__		Место печати или штампа	
(Заполняется продавцом)			
КАРТА ГАРАНТИЙНОГО РЕМОНА			
Дата приема ремонт _____ 20__			
Заявка на ремонт _____			
Заказчик _____			
Телефон (адрес) _____			
Причина обращения _____			
Дата получения от ремонта _____ 20__			
Инструмент проверен в моем присутствии _____			
(Заказ заполняется в Сервисном Центре) (Подпись)			
	Наименование _____	Серийный номер _____	Дата продажи _____ 20__
			Дата получения от ремонта _____ 20__



P.I.T.

Media account

 [pit_global](#)  [PIT Global](#)  [YouTube](#) [PIT Global](#)

 bod@pit-tools.com  www.pit-tools.com