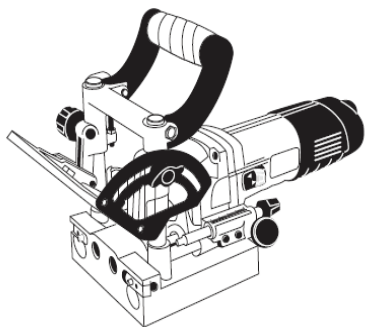


 **FELISATTI**

**RF12/710**



- (GB)** Operating Instructions
- (E)** Instrucciones de servicio
- (F)** Mode d'emploi
- (I)** Istruzioni per l'uso
- (D)** Bedienungsanleitung
- (P)** Instruções de utilização
- (RU)** Инструкция по эксплуатации

**DOWELER**  
**ESPIGADORA**  
**TENONNEUSE**  
**SEGA TENONATRICE**  
**ZAPFENFRÄSMASCHINE**  
**RESPIGADOURA**  
**ОЧИСТИТЕЛЬ**



Fig.1

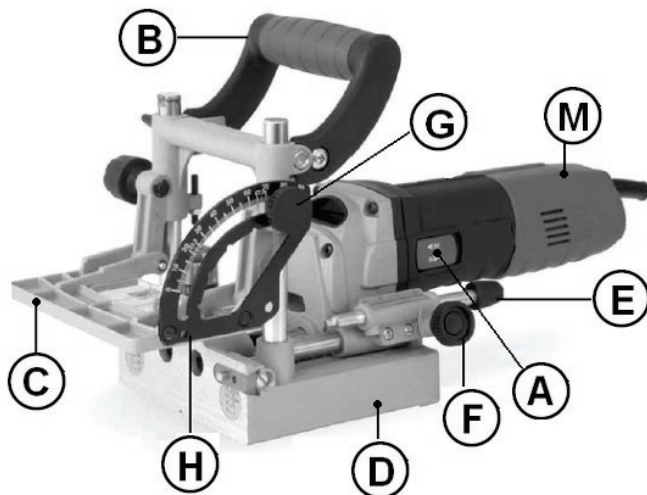


Fig.2

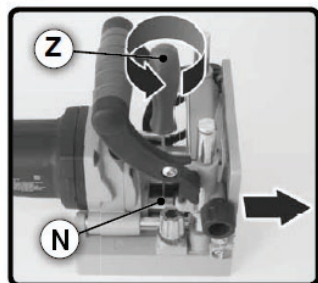


Fig.3

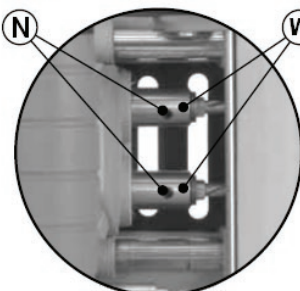


Fig.4

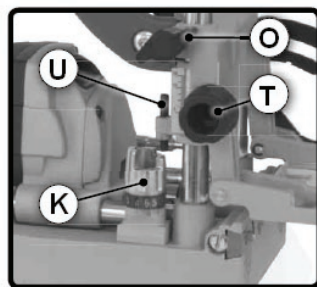


Fig.5

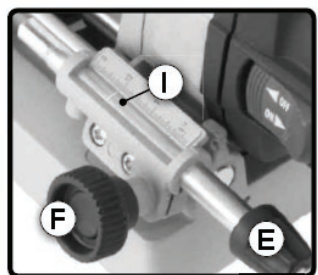


Fig.6

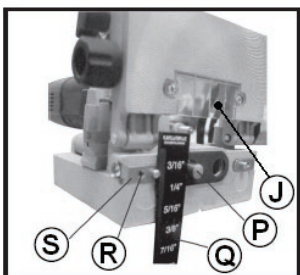


Fig.7

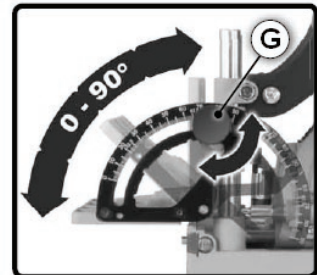


Fig.8

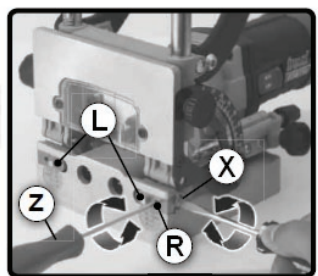


Fig.9

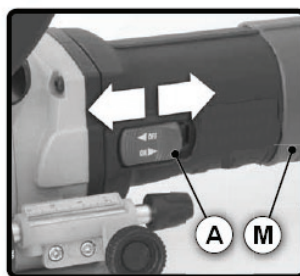
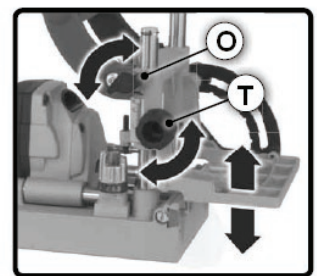


Fig.10



**TECHNICAL DATA**

<b>Doweler</b>		<b>RF12/710</b>
Input power	W	710
No-load speed	r.p.m.	18500
Distance between bits	mm	32
Inclination angle		0-90°
Perforation depth	mm	0-37
Maximum Ø for bits	mm	12
Minimum Ø for bits	mm	6
Approx. weight	Kg.	3.6

The instructions contained in this manual must be strictly followed, it should be carefully read and kept close at hand to use when carrying out maintenance on the indicated parts.

If the tool is used with care and normal maintenance is carried out, it will work well for a long time.

The functions and use of the tool you have bought shall be only those described in this manual. **Any other use of the tool is strictly forbidden.**

**ILLUSTRATIONS**

DESCRIPTION (See figures)

- A On/Off switch (Fig.1 and 9)
- B Auxiliary handle (Fig.1)
- C Folding base (Fig.1)
- D Frontal base (Fig.1)
- E Depth gauge (Fig.1 and 5)
- F Depth stop fixing wing nut (Fig.1 and 5)
- G Folding base wing nut (Fig.1 and 7)
- H Flip angle graduated scale (Fig.1)
- I Depth adjustment scale (Fig.5)
- J Transparent frontal protection (Fig.6)
- K Stepped stop (Fig.4)
- L Flexibly adjustable pin (Fig.8)
- M Motor cover (Fig.1 and 9)
- N Bit fixing screw (Fig.2 and 3)
- O Vertical stop wing nut (Fig.4 and 10)
- P Pivot (Fig.6)
- Q Bit diameter template (Fig.6)
- R Fixing bolt (Fig.6 and 8)
- S Pivot support (Fig.6)
- T Rack and pinion knob (Fig.4 and 10)
- U Turret adjustment screw (Fig.4)
- W Tool carrier (Fig.3)
- X Stud adjustment screw (Fig.8)
- Z Screwdriver (Fig.2 and 8)

**EQUIPMENT**

- Operating instructions
- Safety instructions
- Warranty

**SAFETY INSTRUCTIONS**

- Please see **“Safety Instructions”** manual, supplied with this instruction manual.
- For your personal safety, always connect the machine to a mains supply protected by a differential and thermal

cutout switch, in accordance with regulations on low-voltage wiring sitemaps.

- Do not pierce the motor housing as this could damage the double insulation (use adhesive labels).
- Check the work area with a metal detector for hidden wires, gas and/or water pipes.
- Always unplug the machine before carrying out work on it.
- Always stop the machine by switching it off, not by unplugging it.
- **WARNING!** Before each use, inspect the plug and lead. Should they need replacing, have this done by an official service centre.
- Always keep the mains lead clear of the working range of the machine.
- Only plug the machine in when it is switched off.
- Hold the machine firmly in both hands and in a stable position.
- Always work on a stable surface.
- Make sure the vents are free when working with dust. If they require cleaning, first unplug the machine, do not use metal objects and avoid damaging internal parts.
- When drilling in walls ceiling, or floor, take care to avoid electric cables and gas or water pipes.
- Never cut metallic items, for example nails.
- Ensure that the item is free of foreign bodies.
- Never put your hands in the shavings ejector when the machine is in motion.
- **Keep work area clean and well lit.** Cluttered and dark areas invite accidents.
- **Do not operate power tools in explosive atmospheres, such as in the presence of flammable liquids, gases or dust.** Power tools create sparks which may ignite the dust or fumes.
- **Keep-children and bystanders away while operating a power tool.** Distractions can cause you to lose control.
- **Power tool plugs must match the outlet. Never modify the plug in any way. Do not use any adapter plugs with earthed (grounded) power tools.** Unmodified plugs and matching outlets will reduce risk of electric shock.
- **Avoid body contact with earthed or grounded surfaces such as pipes, radiators, ranges and refrigerators.** There is an increased risk of electric shock if your body is earthed or grounded.
- **Do not expose power tools to rain or wet conditions.** Water entering a power tool will increase the risk of electric shock.

- **Do not abuse the cord. Never use the cord for carrying, pulling or unplugging the power tool. Keep cord away from heat, oil, sharp edges or moving parts.** Damaged or entangled cords increase the risk of electric shock.
- **When operating a power tool outdoors, use an extension cord suitable for outdoor use.** Use of cord suitable for outdoor use reduces the risk of electric shock.
- **Stay alert, watch what you are doing and use common sense when operating a power tool. Do not use a power tool while you are tired or under the influence of drugs, alcohol or medication.** A moment of inattention while operating power tools may result in serious personal injury.
- **Use safety equipment. Always wear eye protection.** Safety equipment such as dust mask, non-skid safety shoes, hard hat, or hearing protection used for appropriate conditions will reduce personal injuries.
- **Do not overreach. Keep proper footing and balance at all times.** This enables better control of the power tool in unexpected situations.
- **Store idle power tools out of the reach of children and do not allow persons unfamiliar with the power tool or these instructions to operate the power tool.** Power tools are dangerous in the hands of untrained users.
- **Maintain power tools. Check for misalignment or binding of moving parts, breakage of parts and any other condition that may affect the power tools operation. If damaged, have the power tool repaired before use.** Many accidents are caused by poorly maintained power tools.
- **Use the power tool, accessories and tool bits etc., in accordance with these instructions and in the manner intended for the particular type of power tool, taking into account the working conditions and the work to be performed.** Use of the power tool for operations different from intended could result in a hazardous situation.

## BRIEF DESCRIPTION

This tool can only be used to perforate solid wood and compound materials, such as agglomerated wood, stratified wood boards and Mdf boards, using the adequate bits.

Any alternative use of the machine would be considered inappropriate and no claims can be made against the manufacturer for damages arising from inappropriate use, the user assuming full, sole responsibility in this case.

## BEFORE USING THIS TOOL

Before using the tool, make sure the mains voltage is correct: it must be the same as that on the specification label. Machines with 230V can also be connected to a 220-V mains supply.

Ensure the bits are correctly assembled.

To work with a single bit, remove the stud bolt from the free fitting.

Wherever possible, set the object so it cannot move.

Wood dust reduces visibility and could be noxious. The machine must be connected to a suction system.

## STARTING THE TOOL

**WARNING!** Check that the mains voltage is the same as that in the machine's specifications.

Plug the machine in with the switch off.

Start the machine by turning the switch to position 1 ("on"). To switch off, do the same in reverse.

## CHANGING BITS

**PRECAUTION:** The machine should always be unplugged before making any adjustments to the machine.

Use highly sharpened bits to ensure a clean cut.

- Set the tool fitting with the **(N)** screws facing upwards (Fig.2 and 3).
- Loosen the screws using the screwdriver **(Z)**.
- Remove the bit pulling outwards.
- Insert the new bit in the fitting and adjust the fixing surface so that it can be secured in place using the screws.
- Fix the bits by tightening the screws.
- Ensure the bits are correctly fitted.

The pre-selection of the screw depth will be changed and you will have to readjust the limit.

- Loosen wing nut **(F)** (Fig.5).
- Fully open folding base **(C)**.
- Retighten wing nut **(F)**.
- Place the machine in position.
- Move the motor cover **(M)** forward until it comes into contact with the tip of the bit.
- Loosen the wing nut **(F)** and insert the depth stop **(E)** then tighten the wing nut **(F)**.
- Adjust the scale to zero **(I)**.

## BITS ADJUSTMENT

**Adjusting the perforation depth (Fig.5)**

- Loosen wing nut **(F)**.
- Adjust the depth stop **(E)** to the selected level.
- Tighten the wing nut **(F)**.

**Adjusting the inclination angle (Fig.7)**

The folding base **(C)** can be adjusted continuously between 0° and 90°.

To facilitate rapid adjustments there are three set positions: 22.5°, 45° and 67.5°.

- Loosen the wing nut **(G)**.
- Adjust the folding base **(C)** to the selected angle and in accordance with the scale **(H)** indicated on the base.
- Tighten the wing nut **(G)**.

**Adjusting the distance between perforation borders.**

- Loosen the wing nut **(O)** (Fig.4 and 10).
- Adjust the folding base **(C)** to the selected level, according to the scale.
- Move the stop up or down using the notched knob and **T** pinion until it reaches the desired height.
- Tighten the wing nut **(O)**.

Using the stepped stop **(K)**, different defined distance intervals can be set.

- Loosen the nut on the turret adjustment screw **(U)**.
- Raise the turret adjustment screw until it protrudes from the turret.
- Fix the stop at the necessary height by following the instructions in the section Adjusting the Height of the Stop further back.

- Lower the turret adjustment screw until it comes into contact with the turret.
- Tighten the nut on the turret adjustment screw.

**Note:** The turret has 4 fixed positions which can be adjusted to any position of the guide. Each position is in increments of 3 mm and is calibrated by the manufacturer with the settings indicated on the label.

## INSTRUCTIONS FOR CHANGING THE TEMPLATE (Fig.6)

### Adjusting the studs.

1. Remove the bit and instead put the pivot (P).
2. Loosen the fixing bolt (R).
3. Place the template (Q) and set it to position depending on the bit diameter being used.
4. Manually tighten the pivot support (S) until it hits the stop and tighten the fixing bolt (R).
5. Remove the template (Q) and the pivot (P) and place the corresponding drill bit.
6. Repeat the same operation on the second bit.

## PERFORATING ACCORDING TO COURSE LINES

On the folding base (C) there are three marks of which the right and the left correspond to the centre of the bits.

- Position the machine over the object and adjust it with the help of the markers.
- Position the rotating stop over the object with your free hand.
- Start up the machine and push the motor cover (M) forwards until it hits the stop.
- Remove the motor cover (M) and disconnect the machine.

## PERFORATING WITH THE ADJUSTMENT PIN (Fig.8)

The base (D) has two flexibly adjustable pins (L) allowing perforations be made while maintaining a fixed distance between the outside border of the object being worked on. The machine can be positioned to the left or right of the object to be worked on as required.

- Place the machine over the object to be worked on, inserting one of the pins (L) and positioning another on the outside border.
- Place the folding base (C) on the object to be worked on, start up the machine and push the motor cover (M) forward until it reaches the stop.
- Remove the motor cover (M) and disconnect the machine.

## DUST EXTRACTION

**WARNING!** Always make sure that the tool is switched off and unplugged before fitting or removing any dust extraction device.

Dust extraction keeps the workplace clean, prevents dust build-up in the air and facilitates waste elimination.

**CAUTION:** A suction extractor should always be used that has been designed in accordance with the applicable directives in relation to dust emission. The flexible hoses of conventional vacuum cleaners fit directly onto the dust extraction nozzle.

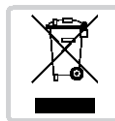
## ACCESSORIES

Accessories and their corresponding order number can be found in our catalogues.

## MAINTENANCE AND CARE

**WARNING!** Always unplug the machine before carrying out work on it.

- **Inspect the mounting screws:** Regularly inspect all the mounting screws and ensure they are firmly tightened. Should any screw be loose, tighten it immediately. Failure to do so could put you at serious risk.
- **Motor maintenance:** Always take the greatest care over this and make sure that the motor winding is not damaged and does not become wet with oil or water.
- The vents should always be kept clean and free of obstacles.
- Clean the machine thoroughly after each use. Blast the motor regularly with compressed air.
- Check that the mains lead is in good condition. If it is not, take it to an Official Service Centre to have it replaced.
- **Brush replacement:** Brushes must be replaced when length reaches 8 mm or less. To do so, please contact an authorized after sales service center. We recommend that every other time you take a tool to an after sales service centre for brush replacement, you also order a general service (cleaning and lubrication).
- Use only **Felisatti** accessories and spares. Parts the changing of which is not covered in this instruction manual, should be replaced in a **Felisatti** Official Service Centre (See Warranty/Official Service Centre address leaflet).



**Do not dispose of electric tools in the household waste!**

In accordance with European Directive 2002/96/EC relating to old electrical and electronic appliances and its translation into national law, used electric tools must be collected separately and recycled in an ecologically desirable way.

## WARRANTY

See general warranty conditions printed on the attached sheet.

## NOISE AND VIBRATION

This tool has been designed and made to reduce noise to a minimum. However, in spite of this, **in certain circumstances the maximum noise level in the place of work could exceed 85 dBA. In this case, the operator should wear ear protection.**

The machine's noise and vibration levels, measured in compliance with EN60745-1, usually reach:

Acoustic pressure = 82 dB(A)

Sound-power level = 95 dB(A)

**Wear ear protectors!**

Vibration acceleration (in hammer mode) = 2.7 m/s<sup>2</sup>



#### DECLARATION OF CONFORMITY

We hereby declare, under our sole responsibility, that the **FELISATTI** brand products described in this manual RF12/710 comply with the following standards or standard documents: EN60745-1:2008, EN55014-1:2006+A1, EN55014-2:1997+A1+A2, EN61000-3-2:2006+A1+A2 and EN61000-3-3:2008 in accordance with EU Directives 2006/42/EC, 2006/95/EC, 2004/108/EC and 2002/95/EC.



Francisco Ruiz  
Plant Mgr.

## CARACTERÍSTICAS TÉCNICAS

Espigadora		RF12/710
Potencia absorbida	W	710
Velocidad en vacío	r.p.m.	18500
Distancia entre brocas	mm	32
Ángulo de inclinación		0-90°
Profundidad de perforación	mm	0-37
Ø máximo de la broca	mm	12
Ø mínimo de la broca	mm	6
Peso aprox.	Kg.	3,6

Respetar escrupulosamente las instrucciones contenidas en este manual, leerlo con atención y tenerlo a mano para eventuales controles de las partes indicadas. Si se utiliza la máquina con cuidado y se cumple el normal mantenimiento, su funcionamiento será prolongado.

Las funciones y el uso de la herramienta que usted compró son sólo y exclusivamente aquellas indicadas en este manual. **Está totalmente prohibido cualquier otro uso de la herramienta.**

## ILUSTRACIONES

DESCRIPCIÓN (Ver figuras indicadas)

- A Interruptor conexión/desconexión (Fig.1 y 9)
- B Empuñadura auxiliar (Fig.1)
- C Base abatible (Fig.1)
- D Base frontal (Fig.1)
- E Tope de profundidad (Fig.1 y 5)
- F Palomilla sujeción tope profundidad (Fig.1 y 5)
- G Palomilla sujeción base abatible (Fig.1 y 7)
- H Escala graduada ángulo de giro (Fig.1)
- I Escala regulación profundidad (Fig.5)
- J Protección transparente frontal (Fig.6)
- K Tope escalonado (Fig.4)
- L Espiga ajuste flexible (Fig.8)
- M Cubierta motor (Fig.1 y 9)
- N Tornillo sujeción broca (Fig.2 y 3)
- O Palomilla sujeción tope vertical (Fig.4 y 10)
- P Pivote (Fig.6)
- Q Plantilla diámetro broca (Fig.6)
- R Tornillo fijación (Fig.6 y 8)
- S Soporte pivotes (Fig.6)
- T Pomo de cremallera y piñón (Fig.4 y 10)
- U Tornillo de ajuste de la torreta (Fig.4)
- V Porta herramientas (Fig.3)
- X Tornillo ajuste del perno (Fig.8)
- Z Destornillador (Fig.2 y 8)

## EQUIPO DOTACIÓN DE LA MÁQUINA

- Manual de instrucciones de servicio
- Instrucciones de seguridad
- Documento de garantía

## INSTRUCCIONES DE SEGURIDAD

- Ver el manual adjunto "**Instrucciones de seguridad**" que se suministra conjuntamente con el presente manual de instrucciones.
- Conecte siempre la máquina a una red protegida por interruptor diferencial y magnetotérmico, para su segu-

ridad personal, según normas establecidas para instalaciones eléctricas de baja tensión.

- No perforar la carcasa de la máquina, pues se interrumpe el aislamiento de protección (utilizar rótulos adhesivos).
- Controlar el área de trabajo con un detector de metales ya que puede haber conductores eléctricos, tuberías de gas y/o agua ocultas.
- Desconecte siempre el enchufe antes de llevar a cabo cualquier trabajo en la máquina.
- Al parar la máquina debe hacerse siempre por medio del interruptor, no desconectando la clavija.
- **¡ATENCIÓN!** Cada vez que vaya a utilizar la máquina controle el estado del enchufe y del cable. Deje sustituirlos por un especialista en el caso de que estén deteriorados.
- Mantener siempre el cable separado del radio de acción de la máquina.
- Enchufar la máquina a la red solamente en posición desconectada.
- Sostener siempre la máquina fuertemente con ambas manos y manteniendo una posición estable.
- Trabajar siempre sobre una base segura.
- Asegurarse que las aberturas de ventilación siempre estén libres cuando se trabaja con polvo. Si es necesario limpiar el polvo, primero desconectar la máquina, no utilizar objetos metálicos y evitar dañar las partes internas.
- Cuando taladre en paredes, techo o suelo, tenga cuidado para evitar los cables eléctricos y tuberías de gas o agua.
- No corte nunca piezas metálicas, como por ejemplo clavos.
- Compruebe que la pieza de trabajo no incluya cuerpos extraños.
- No introduzca nunca las manos en el eyector de virutas con la máquina en marcha.
- **Mantenga el área de trabajo limpia y bien iluminada.** Las áreas desordenadas y oscuras provocan accidentes.
- **No maneje herramientas eléctricas en atmósferas explosivas, tales como en presencia de líquidos inflamables gases o polvo.** Las herramientas eléctricas crean chispas que pueden encender el polvo o humos.
- **Mantenga alejados a los niños y curiosos mientras maneja una herramienta eléctrica.** Las distracciones pueden causarle la pérdida del control.
- La clavija de la herramienta eléctrica debe coincidir con la base de la toma de corriente. No modificar nunca la clavija de ninguna manera. No usar ningún adap-

tador de clavijas con herramientas eléctricas puestas a tierra. **Clavijas no modificadas y bases coincidentes reducirán el riesgo de choque eléctrico.**

- Evite el contacto del cuerpo con superficies puestas a tierra como tuberías, radiadores, cocinas eléctricas y refrigeradores. **Hay un riesgo aumentado de choque eléctrico si su cuerpo está puesto a tierra.**
- No exponga las herramientas eléctricas a la lluvia o a condiciones de humedad. **El agua que entre en la herramienta aumentará el riesgo de choque eléctrico.**
- No abuse del cable. No usar nunca el cable para llevar, levantar o desenchufar la herramienta eléctrica. Mantenga el cable lejos del calor, aceite, cantos vivos o piezas en movimiento. **Los cables dañados o enredados aumentan el riesgo de choque eléctrico.**
- Cuando maneje una herramienta eléctrica en el exterior, use una prolongación de cable adecuada para uso en el exterior. **El uso de una prolongación de cable adecuada para uso en el exterior reduce el riesgo de choque eléctrico.**
- Esté alerta, vigile lo que está haciendo y use el sentido común cuando maneje una herramienta eléctrica. No use una herramienta eléctrica cuando esté cansado o bajo la influencia de drogas, alcohol o medicamentos. **Un momento de distracción mientras maneja herramientas eléctricas puede causar un daño personal serio.**
- Use equipo de seguridad. Lleve siempre protección para los ojos. **La utilización para las condiciones apropiadas de un equipo de seguridad tal como mascarilla antipolvo, zapatos no resbaladizos, gorro duro, o protección para los oídos reducirá los daños personales.**
- Vista adecuadamente. No vista ropa suelta o joyas. Mantenga su pelo, su ropa y guantes alejados de las piezas en movimiento. **La ropa suelta, las joyas o el pelo largo pueden ser cogidos en las piezas en movimiento.**
- Almacene las herramientas eléctricas inactivas fuera del alcance de los niños y no permita el manejo de las herramientas eléctricas a personas no familiarizadas con las herramientas o con estas instrucciones. **Las herramientas eléctricas son peligrosas en manos de usuarios no entrenados.**
- Mantenga las herramientas eléctricas. Compruebe que las partes móviles no estén desalineadas o trabadas, que no haya piezas rotas u otras condiciones que puedan afectar el funcionamiento de las herramientas eléctricas. Las herramientas eléctricas deben repararse antes de su uso, cuando están dañadas. **Muchos accidentes son causados por herramientas eléctricas pobremente mantenidas.**
- Use la herramienta eléctrica, accesorios y puntas de herramientas, etc. de acuerdo con estas instrucciones y de la manera prevista para el tipo particular de herramienta eléctrica, teniendo en cuenta las condiciones de trabajo y el trabajo a desarrollar. **El uso de la herramienta eléctrica para aplicaciones diferentes de las previstas podría causar una situación de peligro.**

## DESCRIPCIÓN ABREVIADA

Esta herramienta sólo puede utilizarse para realizar perforaciones en madera maciza y materiales compuestos,

como madera aglomerada, tableros de madera estratificada y tableros Mdf, utilizando las brocas adecuadas.

Cualquier otro uso de la máquina se considera inapropiado y no se podrá presentar ninguna reclamación ante el fabricante por los daños que se desprendan del uso inapropiado, asumiendo en tal caso toda la responsabilidad únicamente el usuario.

## ANTES DE USAR ESTA HERRAMIENTA

Antes de usar la herramienta, cerciorarse de que la tensión de la red sea correcta: La indicación de tensión en la placa de características debe coincidir con la tensión de red. Los aparatos a 230V pueden conectarse también a una tensión de red de 220V.

Compruebe que las brocas estén correctamente montadas.

Para el trabajo con una sola broca, desmonte el tornillo prisionero del asiento libre.

Siempre que sea posible, fije la pieza de trabajo para que no pueda desplazarse.

El polvo de madera perjudica la visibilidad y puede ser nocivo para la salud. La máquina tiene que estar conectada a un sistema de aspiración.

## PUESTA EN MARCHA DE LA HERRAMIENTA

**¡ATENCIÓN!** Verificar que la tensión de la red coincida con la de las características de la máquina.

Conectar la máquina a la red con el interruptor desconectado.

La máquina se pone en marcha desplazando el interruptor de mando hacia la posición 1 ("on"). Para desconectar, actuar en sentido contrario.

## CAMBIO DE LAS BROCAS

**PRECAUCIÓN:** Desconecte siempre el enchufe antes de realizar cualquier ajuste en la máquina.

Use brocas bien afiladas para obtener un corte limpio.

- Oriente el asiento de la herramienta con los tornillos **N** hacia arriba (Fig.2 y 3).
- Afloje los tornillos con la ayuda del destornillador **Z**.
- Desmonte la broca tirando hacia fuera.
- Introduzca la nueva broca en el asiento y ajuste la superficie de fijación de manera que pueda ser fijada por medio de los tornillos.
- Fije las brocas apretando los tornillos.
- Compruebe el asiento correcto de las brocas.

La preselección del tope de profundidad queda alterada, hay que volver a regular el tope.

- Afloje la palomilla **F** (Fig.5).
- Abra por completo la base abatible **C**.
- Apriete de nuevo la palomilla **F**.
- Coloque la máquina en el tope.
- Desplace hacia delante la cubierta motor **M** hasta que haga contacto la punta de la broca.
- Afloje la palomilla **F** e introduzca el tope de profundidad **E** y apriete la palomilla **F**.
- Ajuste la escala en cero **I**.

## AJUSTE DE LAS BROCAS

**Ajuste de la profundidad de perforación (Fig.5)**

- Afloje la palomilla **F**.
- Ajuste el tope de profundidad **E** al valor deseado.
- Apriete la palomilla **F**.



### Ajuste del ángulo de inclinación (Fig.7)

La base abatible **C** se puede ajustar de manera continua de 0° a 90°.

Para facilitar el ajuste rápido hay tres posiciones de encaje: 22,5°, 45° y 67,5°.

- Afloje la palomilla **G**.
- Ajuste la base abatible **C** al ángulo deseado y según la escala **H** indicada en la base.
- Apriete la palomilla **G**.

### Ajuste de la distancia entre bordes de perforación.

- Afloje la palomilla **O** (Fig.4 y 10).
- Ajuste la base abatible **C** al valor deseado, según la escala.
- Mueva el tope hacia arriba o abajo mediante el pomo de cremallera y piñón **T** hasta que obtenga la altura deseada.
- Apriete la palomilla **O**.

Con la ayuda del tope escalonado **K** se pueden realizar diferentes intervalos de distancia definidos.

- Afloje la tuerca del tornillo de ajuste de la torreta **U**.
- Suba el tornillo de ajuste de la torreta de manera que salga de la torreta.
- Fije el tope en la altura necesaria siguiendo las instrucciones del apartado Ajuste de la altura del tope más atrás.
- Descienda el tornillo de ajuste de la torreta hasta que haga contacto con la torreta.
- Apriete la tuerca del tornillo de ajuste de la torreta.

**Nota:** La torreta tiene 4 posiciones fijas que se pueden ajustar para cualquier posición de la guía. Cada posición tiene 3 mm de incremento y está calibrada en fábrica con los ajustes que indica la etiqueta.

### INSTRUCCIONES CAMBIO PLANTILLA (Fig.6)

#### Ajuste de los pernos.

1. Quitar la broca y en su lugar poner el pivote **P**.
2. Aflojar el tornillo de bloqueo **R**.
3. Colocar la plantilla **Q** y ponerla en la posición según el diámetro de broca que se quiera utilizar.
4. Apretar manualmente el soporte pivotes **S** hasta hacer tope y apretar el tornillo de fijación **R**.
5. Quitar la plantilla **Q**, el pivote **P** y poner la broca correspondiente.
6. Repetir la misma operación en la segunda broca.

### REALIZAR PERFORACIONES SEGÚN LÍNEAS DE TRAZADO

En la base abatible **C** hay tres marcas de las cuales la derecha y la izquierda se corresponden con el centro de las brocas.

- Coloque la máquina en la pieza de trabajo y ajústela con la ayuda de la marca.
- Coloque el tope giratorio en la pieza de trabajo con la mano libre.
- Ponga en marcha la máquina y empuje hacia delante la cubierta motor **M** hasta el tope.
- Retire la cubierta motor **M** y desconecte la máquina.

### PERFORAR CON ESPIGA DE AJUSTE (Fig.8)

La base **D** tiene dos espigas **L** de ajuste flexible que permite realizar perforaciones manteniendo una distancia fija con el borde exterior de la pieza a trabajar. La máquina se puede colocar a la derecha o izquierda de la pieza a trabajar según necesidades.

- Sitúe la máquina en la pieza de trabajo introduciendo una de las espigas **L** y colocando la otra en el borde exterior de la pieza de trabajo.

- Sitúe la base abatible **C** en la pieza de trabajo, ponga la máquina en marcha y empuje hacia delante la cubierta motor **M** hasta el tope.

- Retire la cubierta motor **M** y desconecte la máquina.

### ASPIRACIÓN DEL POLVO Y VIRUTAS

**¡ADVERTENCIA!** Asegurarse siempre que la herramienta está desconectada y desenchufada antes de instalar o extraer cualquier dispositivo de aspiración de polvo.

La aspiración del polvo reduce la suciedad del puesto de trabajo, evita un alto contenido de polvo en el aire a respirar y facilita la eliminación de residuos.

**¡PRECAUCIÓN!** Utilice siempre un extractor de aspiración diseñado de acuerdo con las directrices aplicables en relación con la emisión de polvo. Los tubos flexibles de aspiración de los aspiradores más comunes se ajustan directamente a la boca de extracción de polvo.

### ACCESORIOS

Los accesorios y sus correspondientes números para pedido están reflejados en nuestros catálogos.

### MANTENIMIENTO Y CUIDADOS

**¡ATENCIÓN!** Desconecte siempre el enchufe antes de llevar a cabo cualquier trabajo en la máquina.

- **Inspeccionar los tornillos de montaje:** Regularmente inspeccionar todos los tornillos de montaje y asegurarse de que estén apretados firmemente. Si cualquier tornillo estuviera suelto, volver a apretarlo inmediatamente. El no hacer esto provocaría un riesgo serio.

- **Mantenimiento del motor:** Prestar el mayor cuidado y asegurarse de que el bobinado del motor no se dañe y/o se humedezca con aceite o agua.

- Mantener siempre libres y limpias las aberturas de ventilación.

- Limpiar esmeradamente la máquina después de utilizarla. Soplar regularmente el motor con aire a presión.

- Comprobar que el cable de toma de corriente esté en buen estado y, en caso contrario, acudir a un centro de asistencia técnica para que lo sustituyan.

- **Sustitución de las escobillas:** Las escobillas deben sustituirse cuando su longitud sea inferior a 8 mm. Para ello, debe acudir a un centro de asistencia autorizado para que efectúe el cambio. Recomendamos que en cada segundo cambio de escobillas, entregue la máquina a uno de nuestros Servicios de Asistencia Técnica para una revisión de limpieza y engrase general.

- Sólo se deben utilizar accesorios y piezas de repuesto **Felisatti**. Piezas cuyo recambio no esté descrito en estas instrucciones de uso, deben sustituirse en un centro de asistencia técnica **Felisatti** (Consulte el folleto Garantía/Direcciones de Centros de Asistencia Técnica).



**¡No se deshaga de las herramientas eléctricas a través de los contenedores de basura doméstica!**

De acuerdo con la directriz europea 2002/96/CE referente a los residuos de los equipamientos eléctricos y electrónicos y a la conversión en el derecho nacional, las herramientas eléctricas usadas deben ser separadas y deben estar sujetas a un reciclaje que respete el medio ambiente.

## **GARANTÍA**

Ver condiciones generales de concesión de Garantía en el impreso anexo a estas instrucciones.

## **VALORES DE RUIDO Y VIBRACIÓN**

La herramienta ha sido proyectada y construida para reducir al mínimo los ruidos, a pesar de esto **en especiales condiciones el nivel de ruido máximo en el sitio de trabajo podría ser superior a 85 dBA. En este caso el operador debe protegerse del ruido excesivo por medio de la utilización de protectores auditivos.**

Los niveles de ruido y vibración de la máquina, medidos según la norma EN60745-1, se elevan normalmente a:

Presión acústica = 82 dB(A)

Potencia acústica = 95 dB(A)

**¡Usar protectores auditivos!**

Aceleración de vibración (con percusión) = 2,7 m/s<sup>2</sup>



## **DECLARACIÓN DE CONFORMIDAD**

Declaramos bajo nuestra sola responsabilidad que los productos marca **FELISATTI** descritos en este manual RF12/710 están en conformidad con las normas o documentos normalizados siguientes: EN60745-1:2008, EN55014-1:2006+A1, EN55014-2:1997+A1+A2, EN61000-3-2:2006+A1+A2 y EN61000-3-3:2008 de acuerdo con las directivas 2006/42/CEE, 2006/95/CEE, 2004/108/CEE y 2002/95/CEE.



Francisco Ruiz  
Dir. Fábrica

## CARACTÉRISTIQUES TECHNIQUES

Tenonneuse		RF12/710
Puissance absorbée	W	710
Vitesse à vide	r.p.m.	18500
Distance entre forêts	mm	32
Angle d'inclinaison		0-90°
Profondeur de perçage	mm	0-37
Ø maximum du foret	mm	12
Ø minimum du foret	mm	6
Poids approx.	Kg.	3,6

Respecter strictement les instructions contenues dans ce manuel qu'il convient de lire attentivement et de conserver à portée de main pour d'éventuels contrôles des parties indiquées.

Si la machine est utilisée avec soin et son entretien normalement assuré, son fonctionnement sera prolongé.

Les fonctions et l'utilisation de la machine que vous avez acquise sont celles indiquées dans ce manuel. **Tout autre usage de la machine est formellement interdit.**

### ILLUSTRATIONS

DESCRIPTION (Voir figures indiquées)

- A Interrupteur marche/arrêt (Fig.1 et 9)
- B Poignée auxiliaire (Fig.1)
- C Base rabattable (Fig.1)
- D Base frontale (Fig.1)
- E Butée de profondeur (Fig.1 et 5)
- F Équerre fixation butoir profondeur (Fig.1 et 5)
- G Poignée de fixation de la base rabattable (Fig.1 et 7)
- H Échelle graduée de l'angle de rotation (Fig.1)
- I Échelle réglage profondeur (Fig.5)
- J Protection transparente frontal (Fig.6)
- K Butoir échelonné (Fig.4)
- L Tenon d'ajustage flexible (Fig.8)
- M Capot moteur (Fig.1 et 9)
- N Vis de fixation du foret (Fig.2 et 3)
- O Poignée de fixation de la butée verticale (Fig.4 et 10)
- P Pivot (Fig.6)
- Q Gabarit diamètre foret (Fig.6)
- R Vis de fixation (Fig.6 et 8)
- S Support pivot (Fig.6)
- T Pommeau de crémaillère et pignon (Fig.4 et 10)
- U Vis d'ajustement de la tourelle (Fig.4)
- W Porte outils (Fig.3)
- X Vis d'ajustement du boulon (Fig.8)
- Z Tournevis (Fig.2 et 8)

### ÉQUIPEMENT DE LA MACHINE

- Notice d'utilisation
- Consignes de sécurité
- Garantie

### CONSIGNES DE SÉCURITÉ

- Voir le manuel ci-joint " **Instructions de sécurité** " fourni avec cette notice d'instructions.
- Pour votre sécurité personnelle, branchez toujours la machine sur une installation protégée par un disjoncteur différentiel et magnétothermique, selon les

normes établies pour les installations électriques à basse tension.

- Ne pas percer la carcasse de la machine, cela supprimerait l'isolation (utiliser des plaques adhésives).
- Contrôler la zone d'intervention avec un détecteur de métaux ; il est possible en effet que des conducteurs électriques, des tuyaux de gaz et/ou d'eau soient cachés.
- Débranchez toujours la prise avant d'effectuer un travail quelconque sur la machine.
- La machine doit toujours être arrêtée en relâchant l'interrupteur, non en enlevant la prise.
- **AVERTISSEMENT !** Chaque fois que vous utilisez la machine, vérifiez l'état de la prise et du câble. Faites-les remplacer par un spécialiste s'ils sont détériorés.
- Toujours tenir le câble hors du rayon d'action de la machine.
- Brancher la machine sur le secteur seulement avec l'interrupteur en position d'arrêt.
- Toujours tenir la machine fermement des deux mains et en maintenant une position stable.
- Travaillez toujours sur une base sûre.
- Lorsque vous travaillez dans une atmosphère poussiéreuse, assurez-vous que les ouïes de ventilation de la machine sont toujours dégagées. Si vous devez nettoyer la poussière, mettez tout d'abord la machine hors tension. Ne pas utiliser d'objets métalliques et éviter d'endommager les parties internes.
- Lorsque vous percez sur murs, plafonds ou sols, prenez soin d'éviter fils électriques et tuyaux de gaz ou d'eau.
- Ne coupez jamais des pièces métalliques comme par exemple des clous.
- Vérifiez qu'aucun corps étranger ne se trouve sur la pièce à travailler.
- N'introduisez jamais les mains dans le système d'éjection des copeaux lorsque la machine est en marche.
- **Faisiez en sorte que la zone de travail soit propre et bien illuminée.** Les zones encombrées et sombre peuvent être la cause des incidents.
- **N'actionnez pas les outils électriques dans des atmosphères explosives, par exemple en présence de liquides, gaz ou poudres inflammables.** Les outils électriques émettent des étincelles qui peuvent provoquer l'allumage des poudres ou des fumées.
- **Tenez les enfants et les passants à distance pendant le rationnement d'un outil électrique.** Quelconque étourderie peut vous faire perdre le contrôle de l'outil.

- La fiche de l'outil électrique doit avoir une correspondance avec la prise de courant. Ne modifiez jamais la fiche en aucune façon. N'utilisez pas des fiches adaptatrices avec des outils électriques qui sont équipés de mise à la terre (à la masse). Si l'on utilise des fiches, qui ne sont pas modifiées, avec les prises correspondantes, on réduit le risque de secousses électriques.
- Évitez le contact du corps avec des surfaces mises à la terre ou à la masse comme par exemple tuyaux, radiateurs, cuisinières et réfrigérateurs. Si le corps est à la terre ou à la masse, le risque de secousse électrique augmente.
- N'exposez pas les outils électriques à la pluie et ne les utilisez pas dans des milieux humides. L'entrée d'eau dans un outil électrique augmente le risque de secousse électrique.
- Ne maltraitez pas le câble. N'utilisez jamais le câble pour transporter, tirer ou débrancher l'outil électrique de la prise du réseau. Tenez le câble loin de la chaleur, de l'huile, des bords affilés ou de parties en mouvement. Si les câbles sont endommagés ou vrillés le risque de secousse électrique augmente.
- Lorsqu'on actionne un outil électrique à l'extérieur, utilisez un rallonge de câble approprié à l'usage à l'extérieur. L'usage d'un câble approprié réduit le risque de secousse électrique.
- Ne vous distrayez jamais et contrôlez toujours ce que vous êtes en train de faire. Utilisez votre bon sens lorsque vous actionnez les outils électriques. N'utilisez jamais l'outil lorsque vous êtes fatigué ou sous l'influence de drogue, alcool ou médicaments. Un moment de distraction pendant l'actionnement des outils électriques peut causer des lésions corporelles.
- Utilisez des équipements de sécurité. Mettez toujours les protections pour les yeux. L'usage approprié des équipements de sécurité, comme les masques antipoussière, les chaussures de sécurité antidérapantes, les casques de sécurité ou les protections pour ouïe réduit la possibilité de subir des lésions corporelles.
- Habillez-vous d'une manière appropriée. Ne portez pas des vêtements larges ou des bijoux. Tenez les cheveux, les vêtements et les gants loin des parties en mouvement. Les vêtements larges, les bijoux ou les cheveux longs peuvent rester pris dans les parties en mouvement.
- Remisez les outils électriques qui n'ont pas été utilisés hors de la portée des enfants et ne permettez pas l'usage des outils à des personnes inexpertes ou qui ne connaissent pas ces instructions. Les outils électriques sont dangereux s'ils sont utilisés par des personnes inexpertes.
- Effectuez l'entretien nécessaire sur les outils électriques. Vérifier la possibilité d'un alignement ou d'un blocage erronés des parties en mouvement, la rupture des ces parties et toute autre condition qui peut influencer le fonctionnement des outils électriques. Si l'outil électrique est endommagé, le faire dépanner avant de l'utiliser. Beaucoup d'accidents sont justement provoqués à cause du mauvais état d'entretien des outils électriques.
- Utilisez l'outil électrique, les accessoires, les pointes d'outil etc. en suivant ces instructions et dans la

manière prévue pour le type particulière d'outil électrique, en tenant compte des conditions d'usage et de l'opération qui doit être exécutée.

## BREVE DESCRIPTION

Cet outil ne doit être utilisé que pour percer du bois massif et des matériaux composés comme le bois aggloméré, des planches de bois stratifié et des planches MDF, en utilisant les forets adaptés.

Tout autre usage de la machine est inapproprié et ne pourra donner lieu à aucune réclamation auprès du fabricant en cas de dommages découlant de ce mauvais usage, la responsabilité revenant dans ce cas de manière exclusive à l'utilisateur.

## AVANT DE SE SERVIR DE CET OUTIL

Avant de se servir de cet outil, s'assurer que la tension du secteur est correcte : La tension indiquée sur la plaque signalétique doit coïncider avec la tension du secteur. Les appareils à 230 V peuvent également être branchés sur du 220 V.

Vérifiez que les forets sont correctement montés.

Pour travailler avec un seul foret, retirez la vis prisonnière de la base libre.

Chaque fois que cela est possible, fixez fermement la pièce à travailler afin que cette dernière ne puisse pas se déplacer pendant le travail.

La poussière de bois peut gêner la visibilité et être nocive pour la santé. La machine doit être connectée à un système d'aspiration.

## MISE EN MARCHÉ DE L'OUTIL

**AVERTISSEMENT !** Vérifier que la tension du secteur est conforme à celle de la plaque signalétique de la machine.

Brancher la machine sur le secteur avec l'interrupteur déconnecté.

La machine se met en marche en déplaçant l'interrupteur de commande vers la position 1 ("on"). Pour l'arrêter, agir en sens inverse.

## SUBSTITUTION DES FORETS

**PRÉCAUTION :** Débranchez toujours la prise avant de réaliser tout réglage de l'appareil.

Utilisez des forets bien aiguisés afin d'obtenir une découpe bien propre.

- Orientez la base de l'outil à l'aide des vis **N** vers le haut (Fig.2 et 3).
- Desserrez les vis à l'aide du tournevis **Z**.
- Démontez le foret en tirant vers l'extérieur.
- Montez le nouveau foret sur la base et ajustez la surface de fixation afin qu'elle puisse être maintenue à l'aide des vis.
- Fixez le foret en resserrant les vis.
- Vérifier que les forets sont ajustés correctement.

Le pré-réglage de la butée de profondeur a été modifiée ; ajuster à nouveau la butée.

- Desserrez la poignée **F** (Fig.5).
- Ouvrez complètement la base rabattable **C**.
- Resserrer la poignée **F**.
- Placez la machine contre la butée.
- Déplacez vers l'avant le capot moteur **M** jusqu'à ce qu'il vienne en contact avec la pointe du foret.

- Desserrez la poignée **F**, introduisez la butée de profondeur **E** et resserrez la poignée **F**.
- Positionnez l'échelle sur zéro **I**.

## AJUSTAGE DES FORETS

### Ajustage de la profondeur de perçage (Fig.5)

- Desserrez la poignée **F**.
- Ajustez la butée de profondeur **E** en fonction de la valeur souhaitée.
- Resserrez la poignée **F**.

### Ajustage de l'angle d'inclinaison (Fig.7)

- La base rabattable **C** peut être ajustée de manière progressive, de 0° à 90°.
- Pour simplifier l'ajustage rapide, trois positions d'emboîtement sont prédéfinies : 22,5°, 45° et 67,5°.
- Desserrez la poignée **G**.
- Ajustez la base rabattable **C** en fonction de l'angle voulu et selon l'échelle **H** figurant sur la base.
- Resserrez la poignée **G**.

### Ajustage de la distance entre les bords de perçage.

- Desserrez la poignée **O** (Fig.4 et 10).
- Ajustez la base rabattable **C** selon la valeur voulue, en fonction de l'échelle.
- Déplacez le butoir vers le haut ou vers le bas à l'aide du bouton de crémaillère et pignon **T** jusqu'à obtenir la hauteur désirée.
- Resserrez la poignée **O**.

Vous pouvez réaliser différents intervalles à une distance définie à l'aide de la butée échelonnée **K**.

- Desserrez l'écrou de la vis d'ajustement de la tourelle **U**.
- Montez la vis d'ajustement de la tourelle de façon à la faire sortir de la tourelle.
- Fixez le butoir à la hauteur voulue selon les instructions du paragraphe Ajustement de la hauteur du butoir ci-dessous.
- Baissez la vis d'ajustement de la tourelle jusqu'à ce qu'elle entre en contact avec la tourelle.
- Serrez l'écrou de la vis d'ajustement de la tourelle.

**Remarque** : La tourelle possède 4 positions fixes pouvant s'ajuster à n'importe quelle position du manuel. Chaque position possède 3 mm d'augmentation et est calibrée lors de sa fabrication avec les ajustements indiqués sur l'étiquette.

## INSTRUCTIONS SUBSTITUTION MODELE (Fig.6)

### Réglage des tiges ajustables.

1. Supprimer forage et plutôt mettre le pivot **P**.
2. Desserrer la vis de fixation **R**.
3. Placez le modèle **Q** et le mettre dans la position en tant que le diamètre de foret à utiliser.
4. Serrer à la main le support pivot **S** et serrer la vis de fixation **R**.
5. Enlever le modèle **Q**, le pivot **P** et placer la foreuse correspondant.
6. Répétez la même opération sur la deuxième foreuse.

## EFFECTUER DES PERÇAGES LE LONG DE LIGNES DE TRACÉ

Sur la base rabattable **C** figurent trois marques dont celles de gauche et de droite correspondent aux centres des forets.

- Positionnez l'outil sur la pièce à travailler et ajustez-le à l'aide de la marque.

- Placez la butée giratoire sur la pièce à travailler avec la main libre.
- Mettez la machine en marche et faites avancer le capot moteur **M** vers l'avant jusqu'à la butée.
- Retirez le capot moteur **M** et débranchez la machine.

## PERCER AVEC UN TENON D'AJUSTAGE (Fig.8)

La base **D** possède deux tenons **L** d'ajustage flexible permettant de réaliser des perçages en conservant une distance fixe par rapport au bord extérieur de la pièce à travailler. La machine peut être positionnée à droite ou à gauche de la pièce à travailler, selon les besoins.

- Positionnez la machine sur la pièce à travailler en introduisant l'un des tenons **L** et en positionnant l'autre sur le bord extérieur de la pièce.
- Positionnez la base rabattable **C** sur la pièce à travailler, mettez la machine en marche et faites avancer le capot moteur **M** vers l'avant jusqu'à la butée.
- Retirez le capot moteur **M** et débranchez la machine.

## ASPIRATION DE LA POUSSIÈRE

**AVERTISSEMENT** ! Toujours s'assurer que la machine est hors tension et débranchée avant d'installer ou d'extraire le dispositif d'aspiration de la poussière.

L'aspiration de la poussière permet de réduire la saleté du poste de travail, évite la forte concentration de poussière dans l'air et facilite l'élimination des déchets.

**PRÉCAUTION** : Utilisez toujours un extracteur de poussière conçu conformément aux directives applicables relatives à l'émission des poussières. Les tubes flexibles d'aspiration des aspirateurs les plus courants s'ajustent directement sur la bouche d'extraction de poussière.

## ACCESSOIRES

Les accessoires et leurs références sont répertoriés dans nos catalogues.

## ENTRETIEN ET NETTOYAGE

**AVERTISSEMENT** ! Avant toute intervention sur la machine, débranchez toujours la prise.

- **Examen des vis de montage** : Examiner régulièrement toutes les vis de montage et vérifier qu'elles sont bien serrées. Si une vis est desserrée, la resserrer immédiatement. Ne pas le faire pourrait être extrêmement préjudiciable.
- **Entretien du moteur** : Apporter le plus grand soin à l'entretien du moteur et s'assurer que son bobinage n'est pas endommagé et/ou humidifié avec de l'huile ou de l'eau.
- Maintenez toujours les ouïes de ventilation dégagées et propres.
- Nettoyer soigneusement la machine après utilisation. Nettoyer régulièrement le moteur à l'air comprimé.
- Vérifier que le câble et la prise de courant sont en bon état. Dans le cas contraire, les faire remplacer dans un centre d'assistance technique.
- **Remplacement des charbons** : Les charbons doivent être remplacés quand leur longueur est inférieure à 8 mm. Le changement devra être effectué par un centre d'assistance agréé. Tous les deux changements de charbons, nous vous recommandons de confier la machine à l'un de nos Services d'Assistance Technique qui effectuera une révision sous forme de nettoyage et de graissage général.

- Utiliser uniquement des accessoires et des pièces de rechange **Felisatti**. Les pièces détachées hors accessoires doivent être remplacées dans un centre d'assistance technique **Felisatti** (Consultez l'imprimé Garantie/Adresses des Centres Agréés S.A.V).



**Ne pas jeter les outils électriques dans les ordures ménagères !**

Conformément à la directive européenne 2002/96/CE relative aux appareils électriques et électroniques usagés et sa version nationale, les outils électriques doivent être collectés séparément et recyclés de manière écophile.

## **GARANTIE**

Consulter les conditions générales de Garantie sur l'imprimé joint à ces instructions.

## **MESURES DU NIVEAU DE BRUIT ET DE VIBRATION**

L'outil a été conçu et construit avec objectif de réduire le niveau de bruit au maximum. Malgré cela, **dans certaines conditions, le niveau de bruit maximal sur le lieu de travail peut être supérieur à 85 dBA. Dans ce cas, l'opérateur doit se protéger du bruit excessif en utilisant un casque de protection antibruit.**

Les niveaux de bruit et de vibration de la machine, mesurés selon la norme EN60745-1, s'élèvent normalement à :

Pression sonore = 82 dB (A)

Puissance sonore = 95 dB (A)

**Employer des protecteurs individuels !**

Accélération de vibration (avec percussion) = 2,7 m/s<sup>2</sup>



## **DÉCLARATION DE CONFORMITÉ**

Nous déclarons sous notre seule responsabilité que les produits **FELISATTI** RF12/710 décrits dans ce manuel sont conformes aux normes ou documents suivants : EN60745-1:2008, EN55014-1:2006+A1, EN55014-2:1997+A1+A2, EN61000-3-2:2006+A1+A2 et EN61000-3-3:2008 en accord avec les directives 2006/42/CEE, 2006/95/CEE, 2004/108/CEE et 2002/95/CEE.



Francisco Ruiz  
Dir. Usine

## CARATTERISTICHE TECNICHE

Sega tenonatrice		RF12/710
Potenza nominale	W	710
Velocità a vuoto	r.p.m.	18500
Distanza tra le punte (mm)	mm	32
Angolo di inclinazione		0-90°
Profondità di perforazione	mm	0-37
Ø Massimo della punta	mm	12
Ø Minimo della punta	mm	6
Peso appross.	Kg.	3,6

Rispettare scrupolosamente le istruzioni contenute in questo manuale, leggerlo attentamente e tenerlo a portata di mano per eventuali controlli delle parti indicate.

Se la macchina viene utilizzata con attenzione e si esegue la normale manutenzione, il suo funzionamento sarà prolungato nel tempo.

Le funzioni e gli usi dell'utensile che avete comprato sono unicamente quelli indicati in questo manuale. **È assolutamente proibito ogni altro uso dell'utensile.**

## ILLUSTRAZIONI

DESCRIZIONE (Vedere figure indicate)

- A Interruttore connessione/disconnessione (Fig. 1 e 9)
- B Impugnatura laterale (Fig.1)
- C Base ribaltabile (Fig.1)
- D Base frontale (Fig.1)
- E Limitatore di profondità (Fig.1 e 5)
- F Staffa di ancoraggio per fermo di profondità (Fig.1 e 5)
- G Staffa di fissaggio base ribaltabile (Fig.1 e 7)
- H Scala graduata angolo di rotazione (Fig.1)
- I Scala regolazione profondità (Fig.5)
- J Protezione frontale trasparente (Fig.6)
- K Fermo graduato (Fig.4)
- L Tenone regolazione flessibile (Fig.8)
- M Coperchio motore (Fig.1 e 9)
- N Vite fissaggio punta (Fig.2 e 3)
- O Staffa fissaggio fermo verticale (Fig.4 e 10)
- P Perno (Fig.6)
- Q Sagoma diametro punta (Fig.6)
- R Vite di fissaggio (Fig.6 e 8)
- S Supporto perni (Fig.6)
- T Pomello a cerniera e pignone (Fig.4 e 10)
- U Vite di regolazione della torretta (Fig.4)
- W Portautensili (Fig.3)
- X Vite di regolazione del perno (Fig.8)
- Z Cacciaviti (Fig.2 e 8)

## MATERIALE IN DOTAZIONE

- Manuale di istruzioni
- Norme di sicurezza
- Documento di garanzia

## NORME DI SICUREZZA

- Vedere il manuale allegato "**Norme di sicurezza**" fornito insieme al presente manuale di istruzioni.
- La macchina va collegata, per la vostra sicurezza personale, solo a reti elettriche dotate di salvavita e di

disgiuntore magneto-termico ai sensi delle norme vigenti per gli impianti elettrici a bassa tensione.

- Non forare la scocca della macchina, altrimenti verrà danneggiato l'isolamento di protezione (usare etichette adesive).
- Controllare la superficie di lavoro con un rivelatore di metalli, poiché possono esservi fili elettrici o tubi del gas e/o idraulici occulti.
- Staccare sempre la spina dalla presa prima di eseguire qualsiasi intervento sulla macchina.
- Spegnerne la macchina sempre per mezzo dell'interruttore, non staccando la spina.
- **ATTENZIONE!** Prima di ogni utilizzo, controllate le condizioni della spina e del cavo di alimentazione della vostra macchina utensile. Se sono deteriorati, fateli sostituire presso un centro di assistenza tecnica autorizzato.
- Tenere sempre il cavo di alimentazione lontano dal raggio d'azione della macchina.
- Collegare la macchina alla rete elettrica solo con l'interruttore in OFF.
- Sostenerne saldamente la macchina con entrambe le mani mantenendosi in posizione stabile.
- Lavorare sempre su una base sicura.
- Accertarsi che le fessure di ventilazione siano sempre libere quando si lavora con produzione di polvere. Se è necessario pulire la polvere, spegnere prima la macchina, non utilizzare oggetti metallici ed evitare di danneggiare le parti interne.
- Se praticate fori col trapano su pareti, soffitti o pavimenti, fate attenzione ad evitare i fili elettrici e i tubi del gas o dell'acqua.
- Non tagliare mai pezzi metallici, come ad esempio chiodi.
- Verificare che il pezzo di lavoro non includa corpi estranei.
- Non introdurre mai le mani nell'eiettore dei trucioli quando la macchina è in moto.
- **Tenere pulita e ben illuminata l'area di lavoro.** Le aree ingombre e buie possono provocare incidenti.
- **Non azionare utensili elettrici in atmosfere esplosive, ad esempio in presenza di liquidi, gas o polveri infiammabili.** Gli utensili elettrici creano scintille che possono provocare l'accensione di polveri o fumi.
- **Tenere i bambini e i passanti a distanza durante il funzionamento di un utensile elettrico.** Le distrazioni possono far perdere il controllo dell'utensile.
- **Non maltrattare il cavo. Non utilizzare mai il cavo per trasportare, tirare o scollegare dalla presa di rete l'utensile elettrico. Tenere il cavo distante da**

**calore, olio, bordi affilati o parti in movimento.** Cavi danneggiati o attorcigliati aumentano il rischio di scossa elettrica.

- **Quando si aziona un utensile elettrico all'esterno, usare un cavo di estensione adeguato per l'uso in esterni.** L'uso di un cavo adeguato riduce il rischio di scossa elettrica.
- **Non distrarsi mai, controllare quello che si sta facendo e usare il buon senso quando si azionano utensili elettrici. Non azionare l'utensile quando si è stanchi o sotto l'influsso di droghe, alcol o medicazioni.** Un momento di disattenzione durante l'azionamento di utensili elettrici può dare luogo a serie lesioni personali.
- **Usare attrezzature di sicurezza. Indossare sempre protezioni per gli occhi.** L'uso appropriato di attrezzature di sicurezza quali maschere anti-polvere, calzature di sicurezza antiscivolo casco di sicurezza, o protezioni per l'udito riduce la possibilità di subire lesioni personali.
- **Vestirsi in modo appropriato. Non indossare vestiti larghi o gioielli.** Tenere capelli, indumenti e guanti distanti dalle parti in movimento. Vestiti larghi, gioielli o capelli lunghi possono impigliarsi nelle parti in movimento.
- **Riporre gli utensili elettrici inutilizzati fuori dalla portata dei bambini e non permetterne l'uso a persone inesperte o che non conoscano queste istruzioni.** Gli utensili elettrici sono pericolosi se utilizzati da persone inesperte.
- **Effettuare la manutenzione necessaria sugli utensili elettrici. Verificare il possibile errato allineamento o bloccaggio delle parti in movimento, la rottura delle parti e qualsiasi altra condizione che possa influenzare il funzionamento degli utensili elettrici. Se è danneggiato, far riparare l'utensile elettrico prima di utilizzarlo.** Numerosi incidenti sono provocati proprio dal cattivo stato di manutenzione degli utensili elettrici.
- **Usare l'utensile elettrico, gli accessori e le punte ecc., in conformità con queste istruzioni e nel modo previsto per 11 tipo particolare di utensile elettrico, tenendo conto delle condizioni di lavorazione e dell'operazione da eseguire.** L'uso dell'utensile elettrico per operazioni diverse da quelle previste può dare luogo a situazioni pericolose.

## BREVE DESCRIZIONE

Questa macchina si può utilizzare soltanto per realizzare perforazioni in legno massiccio e materiali composti, come legno agglomerato, pannelli di legno stratificato e pannelli Mdf, usando le punte adeguate.

Qualsiasi altro uso della macchina si considera inappropriato e non si potrà presentare nessun reclamo al fabbricante per i danni causati da un uso indebito, assumendosi in tal caso l'utente la totale responsabilità.

## PRIMA DI USARE QUESTO UTENSILE

Prima di usare l'utensile, controllare che la tensione della rete sia quella giusta: La tensione riportata nella targhetta delle caratteristiche deve coincidere con la tensione di rete. Gli apparecchi a 230V possono essere collegati anche a una tensione di rete di 220V.

Verificare che le punte siano montate correttamente.

Per i lavori con una sola punta, smontare la vite prigioniera dall'alloggiamento libero.

Ogniqualevolta è possibile, fissare il pezzo di lavoro onde evitare che si sposti.

La polvere del legno impedisce la visibilità e può essere nociva per la salute. La macchina deve essere collegata a un sistema di aspirazione.

## ATTIVAZIONE DELL'UTENSILE

**ATTENZIONE!** Verificare che la tensione di rete coincida con quella indicata nelle caratteristiche della macchina.

Collegare la macchina a rete con l'interruttore disinserito.

La macchina si accende spostando l'interruttore di comando verso la posizione 1 ("on"). Per spegnerla, muoverlo in senso contrario.

## CAMBIO DELLE PUNTE

**PRECAUZIONE:** Staccare sempre la spina prima di realizzare qualsiasi regolazione nella macchina.

Usare punte ben affilate per ottenere un taglio più netto.

- Orientare l'alloggiamento della macchina con le viti **N** verso l'alto (Fig.2 e 3).

- Allentare le viti con l'aiuto del cacciavite **Z**.

- Smontare la punta tirando verso l'esterno.

- Inserire la nuova punta nell'alloggiamento e regolare la superficie di fissaggio in maniera da poter essere fissata mediante le viti.

- Fissare le punte stringendo le viti.

- Verificare l'alloggiamento corretto delle punte.

La preselezione del fermo di profondità viene alterata, pertanto bisogna regolare di nuovo il fermo.

- Allentare la staffa **F** (Fig.5).

- Aprire completamente la base ribaltabile **C**.

- Stringere di nuovo la staffa **F**.

- Sistemare la macchina nel fermo.

- Spostare in avanti il coperchio del motore **M** fino a che faccia contatto con l'estremità della punta.

- Allentare la staffa **F** e inserire il fermo di profondità **E** quindi stringere la staffa **F**.

- Azzerare la scala **I**.

## REGOLAZIONE DELLE PUNTE

**Regolazione della profondità di perforazione (Fig.5)**

- Allentare la staffa **F**.

- Regolare il fermo di profondità **E** secondo il valore desiderato.

- Stringere la staffa **F**.

**Regolazione dell'angolo di inclinazione (Fig.7)**

La base ribaltabile **C** si può regolare in maniera continua da 0° a 90°.

Ai fini di una regolazione rapida, vi sono tre posizioni di incastro: 22,5°, 45° e 67,5°.

- Allentare la staffa **G**.

- Regolare la base ribaltabile **C** nell'angolo desiderato e secondo la scala **H** indicata nella base.

- Stringere la staffa **G**.

**Regolazione della distanza tra i bordi di perforazione.**

- Allentare la staffa **O** (Fig.4 e 10).

- Regolare la base ribaltabile **C** nel valore desiderato, secondo la scala.

- Spostare il fermo verso l'alto o verso il basso mediante il pomello a cerniera e pignone **T**, fino ad ottenere l'altezza desiderata.



- Stringere la staffa **O**.

Con l'ausilio del fermo graduato **K** si possono realizzare diversi intervalli di distanza definiti.

- Allentare il dado della vite di regolazione della torretta **U**.
- Spostare verso l'alto la vite di regolazione della torretta in modo che fuoriesca da quest'ultima.
- Fissare il fermo all'altezza necessaria, seguendo le istruzioni del paragrafo Regolazione sull'altezza del fermo più sopra.
- Spostare verso il basso la vite di regolazione della torretta fino a che non entra in contatto con quest'ultima.
- Stringere il dado della vite di regolazione della torretta.

**Nota:** La torretta ha 4 posizioni fisse che si possono regolare per qualsiasi posizione della guida. Ogni posizione ha 3 mm d'incremento ed è calibrata in fabbrica con le regolazioni indicate sull'etichetta.

## ISTRUZIONI DI CAMBIO SAGOMA (Fig. 6)

### Regolazione dei perni.

1. Togliere la punta e, al suo posto, inserire il perno **P**.
2. Allentare la vite di bloccaggio **R**.
3. Collocare la sagoma **Q** e sistemarla in posizione in base al diametro della punta che si desidera utilizzare.
4. Stringere manualmente il supporto perni **S** fino a fare da fermo e stringere la vite di fissaggio **R**.
5. Togliere la sagoma **Q**, il perno **P** e inserire la punta corrispondente.
6. Ripetere la stessa operazione per la seconda punta.

## REALIZZARE PERFORAZIONI SECONDO LE LINEE DI TRACCIATO

Nella base ribaltabile **C** vi sono tre tacche di cui quella destra e sinistra corrispondono con il centro delle punte.

- Collocare la macchina sul pezzo di lavoro e regolarla mediante l'aiuto della tacca.
- Collocare il fermo girevole sul pezzo di lavoro con la mano libera.
- Mettere in moto la macchina e spingere in avanti il coperchio del motore **M** fino in fondo.
- Togliere il coperchio del motore **M** e scollegare la macchina.

## PERFORARE CON TENONE DI REGOLAZIONE (Fig.8)

La base **D** ha due tenoni **L** di regolazione flessibile che consentono di realizzare perforazioni mantenendo una distanza fissa dal bordo esterno del pezzo su cui lavorare. Secondo le necessità, la macchina si può collocare a destra o a sinistra del pezzo di lavoro.

- Collocare la macchina sul pezzo di lavoro introducendo uno dei tenoni **L** e collocando l'altro nel bordo esterno del pezzo di lavoro.
- Collocare la base ribaltabile **C** sul pezzo di lavoro, mettere in moto la macchina e spingere in avanti il coperchio del motore **M** fino in fondo.
- Togliere il coperchio del motore **M** e scollegare la macchina.

## ASPIRAZIONE DELLA POLVERE

**AVVERTENZA!** Controllare sempre che l'utensile sia spento e disinserito dalla rete prima di montare o di smontare qualsiasi dispositivo di aspirazione della polvere.

L'aspirazione della polvere riduce la presenza di sporcizia nel locale di lavoro, evita le elevate concentrazioni di polvere nell'aria che si respira e agevola la rimozione dei residui.

**PRECAUZIONE:** Utilizzare sempre un estrattore di aspirazione progettato in base alle direttrici applicabili all'emissione di polvere. I tubi flessibili di aspirazione degli aspiratori più comuni si possono collegare direttamente all'apertura di fuoriuscita della polvere.

## ACCESSORI

Gli accessori e i relativi numeri di codice per le ordinazioni sono riportati nei nostri cataloghi.

## CURA E MANUTENZIONE

**ATTENZIONE!** Prima di compiere qualsiasi intervento sulla macchina, staccate sempre la spina dalla presa elettrica.

- **Ispezionare le viti di assemblaggio:** Ispezionare regolarmente tutte le viti di assemblaggio e verificare che siano ben serrate. Se una vite dovesse allentarsi, serrarla immediatamente. In caso contrario si possono correre seri pericoli.
- **Manutenzione del motore:** Dedicarvi la massima cura e accertarsi che l'avvolgimento del motore non si guasti e/o non si bagni d'olio o d'acqua.
- Mantenere sempre le aperture di ventilazione libere e pulite.
- Pulire accuratamente la macchina dopo l'uso. Soffiare con aria compressa sul motore a intervalli regolari.
- Verificare che il cavo di alimentazione sia in buone condizioni; in caso contrario, farlo sostituire presso un centro di assistenza tecnica autorizzato.
- **Sostituzione delle spazzole:** Le spazzole devono essere sostituite quando la loro lunghezza è inferiore a 8 mm. Per sostituirle rivolgersi a un centro di assistenza tecnica autorizzato. Ogni due sostituzioni delle spazzole, raccomandiamo di portare la macchina a uno dei nostri servizi di assistenza tecnica per una revisione comprendente la pulizia e la lubrificazione generale.
- Usare solo accessori e ricambi originali **Felisatti**. Per quanto riguarda i pezzi la cui sostituzione non è descritta in queste istruzioni per l'uso, farli sostituire presso un centro di assistenza tecnica autorizzato **Felisatti** (vedere il foglietto Garanzia / Indirizzi dei Centri di assistenza tecnica).



**Non introdurre attrezzi elettrici nei rifiuti di casa!**

Secondo la normativa europea 2002/96/CE in riferimento agli apparecchi elettrici ed elettronici e le leggi nazionali, gli apparecchi elettrici usurati devono essere raccolti separatamente e portati al riciclaggio, rispettando le norme ambientali.

## GARANZIA

Vedere le condizioni generali di validità della garanzia riportate sul foglietto allegato a queste istruzioni.

## VALORI RELATIVI AI RUMORI E ALLE VIBRAZIONI

L'utensile è stato progettato e costruito per ridurre al minimo i rumori; ciononostante, **in condizioni particolari il livello massimo di rumore nel locale di lavoro potrebbe essere superiore a 85 dB(A). In questo caso l'operatore deve proteggersi dal rumore eccessivo con l'impiego di protezioni per l'udito.**

I livelli di rumore e di vibrazione della macchina, misurati secondo la norma EN60745-1, giungono normalmente a:

Pressione acustica = 82 dB(A)

Potenza acustica = 95 dB(A)

**Usare protezioni per l'udito!**

Accelerazione di vibrazione (con percussione) = 2,7 m/s<sup>2</sup>



## DICHIARAZIONE DI CONFORMITÀ

Dichiariamo sotto la nostra esclusiva responsabilità che i prodotti marca **FELISATTI** RF12/710 descritti in questo manuale sono conformi ai requisiti delle norme o dei documenti standardizzati seguenti: EN60745-1:2008, EN55014-1:2006+A1, EN55014-2:1997+A1+A2, EN61000-3-2:2006+A1+A2 e EN61000-3-3:2008, ai sensi delle direttive 2006/42/CEE, 2006/95/CEE, 2004/108/CEE e 2002/95/CEE.



Francisco Ruiz  
Dir. Fabbrica

**TECHNISCHE DATEN**

Zapfenfräsmaschine		RF12/710
Aufnahmeleistung	W	710
Leerlaufgeschwindigkeit	r.p.m.	18500
Abstände zwischen den Bohrern	mm	32
Neigungswinkel		0-90°
Bohrtiefe	mm	0-37
Maximaldurchmesser des Bohrers	mm	12
Minstdurchmesser des Bohrers	mm	6
Gewicht ca.	Kg.	3,6

Die in diesem Handbuch enthaltenen Anweisungen und Sicherheitsvorschriften sind genau zu befolgen. Lesen Sie diese aufmerksam und zum Zwecke von möglichen Überprüfungen der Bauteile sollten sie stets mitgeführt werden.

Durch bestimmungsgemäße Verwendung und Beachtung der entsprechenden Wartungshinweise, kann die Lebensdauer der Maschine wesentlich verlängert werden.

Dieses Werkzeug ist nur für den in dieser Anleitung beschriebenen Gebrauch vorgesehen. **Jeglicher andere Gebrauch der Maschine ist untersagt!**

**ABBILDUNGEN**

BESCHREIBUNG (Siehe erwähnte Abbildungen)

- A Ein/Ausschalter (Abb. 1 und 9)
- B Zusatzhandgriff (Abb. 1)
- C Umklappbare Auflage (Abb. 1)
- D Frontauflage (Abb. 1)
- E Tiefenanschlag (Abb. 1 und 5)
- F Tragachse Bohrtiefenanschlag (Abb. 1 und 5)
- G Flügelschraube umklappbare Auflage (Abb. 1 und 7)
- H Gradmesser Drehwinkel (Abb. 1)
- I Skala zur Frästiefeinstellung (Abb. 5)
- J Transparente frontale Spanschutzhaube (Abb. 6)
- K Tiefenvoreinstellung (Abb. 4)
- L Zapfen flexible Einstellung (Abb. 8)
- M Motorabdeckung (Abb. 1 und 9)
- N Befestigungsschraube Bohrer (Abb. 2 und 3)
- O Flügelschraube vertikaler Anschlag (Abb. 4 und 10)
- P Zapfen (Abb. 6)
- Q Vorlage Durchmesser Bohrer (Abb. 6)
- R Befestigungsschraube (Abb. 6 und 8)
- S Zapfenaufnahme (Abb. 6)
- T Zahnstangenknäuf (Abb. 4 und 10)
- U Einstellschraube Stahlhalter (Abb. 4)
- W Werkzeughalter (Abb. 3)
- X Einstellschraube Bolzen (Abb. 8)
- Z Schraubendreher (Abb. 2 und 8)

**MITGELIEFERTES MASCHINENZUBEHÖR**

- Bedienungsanleitung
- Sicherheitshinweise
- Garantiekarte

**SICHERHEITSHINWEISE**

- Siehe beiliegendes Handbuch "**Sicherheitshinweise**", das zusammen mit der vorliegenden Betriebsanleitung geliefert wird.

- Schließen Sie das Werkzeug zu Ihrem Schutz und gemäß der Vorschriften für Niederspannungseinrichtungen immer an ein durch Fehlerstromschutzschalter und Überlastschalter geschütztes Netz an.
- Gehäuse der Maschine nicht anbohren, da die Schutzisolierung unterbrochen wird (Aufkleber verwenden).
- Den Arbeitsbereich mit einem Metalldetektor überprüfen, da sich dort versteckte elektrische Leitungen, Gasleitungen und/oder Wasserleitungen befinden könnten.
- Vor allen Arbeiten an der Maschine Stecker aus der Steckdose ziehen.
- Die Maschine muss immer mit dem Schalter ausgeschaltet werden. Dazu nicht den Netzstecker verwenden.
- **WARNHINWEIS!** Prüfen Sie vor jedem Einsatz der Maschine den korrekten Zustand des Steckers und des Kabels. Sollte deren Zustand nicht korrekt sein, lassen Sie sie durch einen Fachmann ersetzen.
- Halten Sie das Kabel immer fern vom Arbeitsbereich der Maschine.
- Die Maschine nur ausgeschaltet an den Netzstrom anschließen.
- Die Maschine immer fest mit beiden Händen und bei sicherem Stand halten.
- Immer auf einem sicheren Untergrund arbeiten.
- Vergewissern Sie sich, dass die Belüftungsöffnungen beim Arbeiten mit Stauberzeugung immer geöffnet sind. Muss der Staub entfernt werden, zuerst die Maschine abschalten. Keine metallischen Gegenstände verwenden, und darauf achten, dass die Elemente im Innern nicht beschädigt werden.
- Achten Sie beim Bohren in Wänden, Dächern und Böden darauf, dass sie keine Strom-, Gas- oder Wasserleitungen beschädigen.
- Schneiden Sie nie metallische Teile, wie zum Beispiel Nägel.
- Stellen Sie sicher, dass das Werkstück keine Fremdkörper enthält.
- Halten Sie die Hände bei laufender Maschine vom Spanauswurf fern.
- **Dem Arbeitsbereich muss sauber und beleuchtet sein.** Die Versperrten und dunklen Bereiche können Unfälle verursachen.
- Die Elektrowerkzeuge nicht in explosionsgefährlichen Atmosphären betätigen, zum Beispiel bei brennbaren Flüssigkeiten, Gasen oder Stäuben. Die Elektrowerkzeuge

verursachen Funken welche Stube und Rauche anzunden konnnten.

- **Kinder und Passanten wahrend dem Betrieb eines Elektrowerkzeuges davon fernhalten.** Ablenkungen konnen die Kontrolle uber das Werkzeug verlieren lassen.
- **Der Stecker des Elektrowerkzeuges muss mit der Steckdose ubereinstimmen. Der Stecker darf nie abgeandert werden. Bei Elektrowerkzeugen mit Erdungssammelleitung und Massesammelleitung durfen keine Anpassungsstecker verwendet werden.** Unabgeanderte Stecker und geeignete Steckdosen reduzieren Stromschlaggefahren.
- **Den Korperkontakt mit geerdeten Oberflachen wie Rohre, Radiatoren, Kuchen und Kuhlschranke muss vermieden werden.** Ist der Korper geerdet besteht eine hohere Stromschlaggefahr.
- **Die Elektrowerkzeuge nicht unter den Regen stellen und nicht in feuchten Umgebungen zum Einsatz bringen.** Das Eindringen von Wasser in ein Werkzeug erhohet die Stromschlaggefahr.
- **Das Kabel nicht schlecht behandeln. Das Elektrowerkzeug nie am Kabel ziehen oder es durch das Kabel vom Stromnetz trennen. Das Kabel von Warmequellen, Ol, scharfen Kanten oder sich bewegenden Teile fern halten.** Beschadigte oder gedrehte Kabel konnen zu Stromschlaggefahren fuhren.
- **Bei Einschalten eines Elektrowerkzeuges im Freien, dafur ein angebrachtes langes Kabel fur den Einsatz im Freien verwenden.** Der Einsatz eines dafur geeigneten Kabels verringert die Stromschlaggefahr.
- **Beim Einsatz des Elektrowerkzeuges sich nie von seiner Tatigkeit ablenken lassen und den gesunden Menschenverstand gebrauchen. Das Elektrowerkzeug nie verwenden wenn man oder unter dem Einfluss von Drogen, Alkohol oder Medikamenten steht.** Eine Ablenkung wahrend dem Elektrowerkzeugbetrieb kann zu schweren Verletzungsgefahren fuhren.
- **Sicherheitsausrustungen verwenden. Immer Schutzbrillen tragen.** Das Verwenden geeigneter Sicherheitseinrichtungen, wie Staubmasken, rutschfeste Schuhe, Schutzhelme oder Gehorschutz, reduziert erheblich personliche Verletzungen.
- **Geeignete Kleider tragen. Keine breiten Kleider oder Schmuck tragen. Haare, Kleider und Handschuhe von den sich bewegenden Teilen fernhalten.** Breite Kleider, Schmuck oder lange Haare konnen in die sich bewegenden Teile gelangen.
- **Man muss das Elektrowerkzeug so stellen, dass es fur Kinder unerreichtbar ist und dessen Gebrauch seitens unerfahrenen Personen oder welche diese Anweisungen nicht gelesen haben ist untersagt.** Die Elektrowerkzeuge sind gefahrlich, wenn sich durch unerfahrene Personen zum Einsatz gebracht werden.
- **Die Elektrowerkzeuge wie verlangt warten. Die ggf. Falsche Ausrichtung und Blockierung der sich bewegenden Teilen, sowie den Bruch der Teile oder jeden anderen Zustand, welcher den einwandfreien Betrieb beeintrachtigen konnte, prufen. Ein beschadigtes Elektrowerkzeug, bevor man es wieder verwendet, reparieren lassen.** Sehr

viele Unfalle ergeben sich auf Grund einer schlechten Wartung der Elektrowerkzeuge.

- **Das Elektrowerkzeug, die Zubehore, die Spitzen usw. unter Beachtung dieser Anweisungen und der vorgesehenen Weise zum Einsatz bringen, in dem man insbesondere die Verarbeitungszustande berucksichtigt.** Der Einsatz der Elektrowerkzeuges fur andere als die vorgesehenen Tatigkeiten kann zu Gefahrensituationen fuhren.

## KURZBESCHREIBUNG

Dieses Werkzeug kann nur eingesetzt werden, um Bohrungen in Massivholz oder Verbundwerkstoffen wie Pressholz, Sperrholz und MDF-Faserplatten durchzufuhren, wobei die geeigneten Bohrer zu verwenden sind.

Jede sonstige Verwendung der Maschine wird als nicht sachgema betrachtet und dem Hersteller konnen daraus folgend keinerlei Reklamationsforderungen fur Schaden gestellt werden, die aus einem derartigen unsachgemaen Einsatz entstehen. In diesen Fallen haftet allein der Nutzer.

## VOR DER BENUTZUNG DIESES WERKZEUGES

Vergewissern Sie sich vor der Benutzung des Werkzeugs, dass die Netzspannung korrekt ist: Die Spannungsangabe auf dem Typenschild muss mit der Netzspannung ubereinstimmen. Die Gerate mit 230 V konnen auch an eine Netzspannung von 220 V angeschlossen werden.

Uberprufen Sie die Bohrer auf deren ordnungsgemaen Einbau und Sitz.

Fur Arbeiten mit nur einem Bohrer ist der Gewindestift der freien Aufnahme zu entfernen.

Befestigen Sie soweit moglich stets das Werkstuck, damit es nicht verrutschen kann.

Holzstaub beeintrachtigt die Sicht und kann gesundheitsschadlich sein. Die Maschine muss an eine Absauganlage angeschlossen sein.

## INBETRIEBNAHME DES WERKZEUGS

**WARNHINWEIS!** Uberprufen Sie, dass die Versorgungsspannung mit den Maschineneigenschaften ubereinstimmt.

Den Netzstecker der Maschine bei abgeschalteter Maschine einstecken.

Die Maschine wird eingeschaltet, indem man den Betriebsschalter auf die Position 1 ("ON") stellt. Zum Abschalten in die entgegengesetzte Richtung betatigen.

## BOHRERWECHSEL

**ACHTUNG:** Vor jeder Anderung der Maschineneinstellungen ist der Netzstecker zu ziehen.

Verwenden Sie gut geschliffene Bohrer, um einen sauberen Schnitt zu erhalten.

- Richten Sie den Werkzeugsitz mit den Schrauben N nach oben (Abb. 2 und 3).
- Losen Sie die Schrauben mit Hilfe eines Schraubendrehers Z.
- Ziehen Sie den Bohrer nach auen ab.
- Setzen Sie den neuen Bohrer in die Aufnahme ein und stellen Sie die Befestigungsflache so ein, dass diese mit Hilfe der Schrauben angezogen werden kann.

- Befestigen Sie die Bohrer durch Anziehen der Schrauben.
- Prüfen Sie den korrekten Sitz der Bohrer. Die Auswahlstellung des Tiefenanschlags wird verändert und ist wieder neu einzustellen.
- Lösen Sie die Flügelschraube **F** (Abb. 5).
- Öffnen Sie die umklappbare Auflage **C** vollständig.
- Ziehen Sie die Flügelschraube **F** wieder an.
- Setzen Sie die Maschine an den Anschlag.
- Schieben Sie die Motorabdeckung **M** so weit nach vorn, bis die Bohrerspitze Kontakt hat.
- Lösen Sie die Flügelschraube **F**, setzen Sie den Bohrtiefenanschlag **E** ein und ziehen Sie die Flügelschraube **F** an.
- Stellen Sie die Skala auf Null I.

## EINSTELLUNG DER BOHRER

### Einstellung der Bohrtiefe (Abb. 5)

- Lösen Sie die Flügelschraube **F**.
- Stellen Sie den Bohrtiefenanschlag **E** auf den gewünschten Wert ein.
- Ziehen Sie die Flügelschraube **F** an.

### Einstellung des Neigungswinkels (Abb. 7)

Die umklappbare Auflage **C** kann auf jeden Wert zwischen 0° und 90° eingestellt werden.

Zur Schnelleinstellung sind drei feste Einrastpositionen vorhanden: 22,5°, 45° und 67,5°.

- Lösen Sie die Flügelschraube **G**.
- Stellen Sie die umklappbare Auflage **C** auf den gewünschten Winkel und gemäß der an der Auflage angegebenen Skala **H**.
- Ziehen Sie die Flügelschraube **G** an.

### Einstellung des Abstands zwischen Bohrrändern

- Lösen Sie die Flügelschraube **O** (Abb. 4 und 10).
- Stellen Sie die umklappbare Auflage **C** entsprechend der Skala auf den gewünschten Wert.
- Verschieben Sie den Anschlag über den Griff des Zahnstangengetriebes **T** nach oben bzw. unten, bis die gewünschte Höhe erreicht ist.
- Ziehen Sie die Flügelschraube **O** an.

Mithilfe des graduellen Anschlags **K** können verschiedene festgelegte Distanzintervalle eingestellt werden.

- Lockern Sie die Mutter der Einstellschraube des Stahlhalters **U**.
- Drehen Sie die Einstellschraube des Stahlhalters nach oben, so dass sie aus dem Stahlhalter ausfährt.
- Stellen Sie den Anschlag auf die erforderlichen Höhe, wobei die Anweisungen des Abschnitts ‚Höheneinstellung des Anschlags nach hinten‘ zu befolgen sind.
- Drehen Sie die Einstellschraube des Stahlhalters nach unten, bis der Kontakt mit dem Stahlhalter hergestellt ist.
- Ziehen Sie die Mutter der Einstellschraube des Stahlhalters an.

**Hinweis:** Der Stahlhalter ist mit 4 festen Positionen versehen, die an jede beliebige Position der Führung angepasst werden können. Jede Position verfügt über 3 mm Steigerung und ist werkseitig für die auf dem Etikett angegebenen Einstellungen geeicht.

## ANLEITUNG ZUM WECHSEL DER BOHRVORLAGE (Abb. 6)

### Einstellung der Bolzen.

1. Bohrer entfernen und Zapfen **P** einsetzen.

2. Sperrschraube **R** lösen.

3. Bohrvorlage **Q** einsetzen und entsprechend dem Durchmesser des zu verwendenden Bohrers in die zugehörige Position bringen.

4. Die Zapfenaufnahme **S** von Hand bis zum Anschlag drücken und die Befestigungsschraube **R** anziehen.

5. Die Bohrvorlage **Q** sowie den Zapfen **P** entfernen und den entsprechenden Bohrer einsetzen.

6. Den gleichen Vorgang beim zweiten Bohrer wiederholen.

## DURCHFÜHRUNG VON BOHRUNGEN NACH ANREISSLINIEN

Auf der umklappbaren Auflage **C** befinden sich drei Markierungen, von denen die rechte und linke Markierung mit dem Bohrermitelpunkt übereinstimmen.

- Setzen Sie die Maschine auf das Werkstück und stellen Sie diese mit Hilfe der Markierung ein.
- Setzen Sie den Drehanschlag mit der freien Hand auf das Werkstück.
- Nehmen Sie die Maschine in Betrieb und drücken Sie die Motorabdeckung **M** bis zum Anschlag nach vorn.
- Entfernen Sie die Motorabdeckung **M** und schalten Sie die Maschine aus.

## BOHREN MIT ANSCHLAGSTIFT (Abb. 8)

Die Basis **D** besitzt zwei flexible Anschlagstifte **L**, mit denen Bohrungen unter Beibehaltung eines festen Abstands zum Außenrand des Werkstücks durchgeführt werden können. Die Maschine kann je nach Anforderung rechts oder links an das Werkstück gesetzt werden.

- Bringen Sie die Maschine auf das Werkstück, führen Sie einen Anschlagstift **L** ein und setzen Sie den anderen Stift an den Außenrand des Werkstücks.
- Bringen Sie die umklappbare Auflage **C** an das Werkstück, schalten Sie die Maschine ein und drücken Sie die Motorabdeckung **M** bis zum Anschlag nach vorn.
- Entfernen Sie die Motorabdeckung **M** und schalten Sie die Maschine aus.

## ABSAUGEN DES SCHLEIFSTAUBES

**WARNHINWEIS!** Vergewissern Sie sich vor dem Anbringen und Abnehmen einer Absaugvorrichtung für den Staub immer, dass das Werkzeug abgeschaltet und der Netzstecker abgezogen ist.

Das Absaugen des Schleifstaubes verringert die Verschmutzung am Arbeitsplatz, vermeidet einen hohen Staubgehalt in der Atemluft und ermöglicht die Eliminierung von Sägeresten.

**ACHTUNG:** Verwenden Sie stets ein Absauggerät, das die entsprechenden Richtlinien in Bezug auf Staub- und Spanabsaugung bei Holzfräsarbeiten erfüllt. An die Staubauslassöffnung können die Schläuche der meisten Staubsauger angeschlossen werden.

## ZUBEHÖR

Das Zubehör und die entsprechenden Bestellnummern finden Sie in unseren Katalogen.

## WARTUNG UND PFLEGE

**WARNHINWEIS!** Ziehen Sie vor der Durchführung von Arbeiten an der Maschine immer zuerst den Netzstecker aus der Steckdose.

- **Überprüfung der Montageschrauben:** Überprüfen Sie in regelmäßigen Abständen, dass die Montageschrauben fest angezogen sind. Wird eine lose Schraube festgestellt, muss diese sofort wieder angezogen werden. Dies könnte sonst eine ernsthafte Gefahr darstellen.
- **Pflege des Motors:** Besonders beachten und sicherstellen, dass die Spule des Motors nicht beschädigt und/oder mit Öl oder Wasser in Kontakt kommt.
- Die Belüftungsschlitze immer frei und sauber halten.
- Reinigen Sie die Maschine nach der Arbeit mit trockener Druckluft. Den Motor regelmäßig mit Druckluft abblasen.
- Überprüfen Sie den korrekten Zustand des Netzkabels. Sollte dieses beschädigt oder abgenutzt sein, wenden Sie sich zur Durchführung des Austauschs an eine der Kundendienstwerkstätten .
- **Ersatz der Kohlebürsten:** Die Kohlebürsten müssen ersetzt werden, wenn deren Länge unter 8 mm beträgt. Wenden Sie sich zur Durchführung des Austauschs an einer der Kundendienstwerkstätten. Wir empfehlen, dass die Maschine bei jedem zweiten Austausch der Kohlebürsten von unserem Kundendienst einer allgemeinen Reinigung und Schmierung unterzogen wird.
- Verwenden Sie nur Originalzubehör und Originalersatzteile von **Felisatti**. Alle Teile, die in der Bedienungsanleitung nicht beschrieben sind, müssen in einer Kundendienstwerkstätte von **Felisatti** ersetzt werden (Siehe Blatt Garantie / Anschriften der Kundendienstwerkstätten).



## CONFORMITÄTSERKLÄRUNG

Wir erklären unter unserer eigenen Verantwortung, dass die in diesem Handbuch beschriebenen Produkte der Marke **FELISATTI** RF12/710 konform zu folgenden Normen sind: EN60745-1:2008, EN55014-1:2006+A1, EN55014-2:1997+A1+A2, EN61000-3-2:2006+A1+A2 und EN61000-3-3:2008 gemäß den Richtlinien 2006/42/EG, 2006/95/EG, 2004/108/EG und 2002/95/EG.



Francisco Ruiz  
Dir. Werk

Technische Änderungen vorbehalten 07/2011



**Werfen Sie Elektrowerkzeuge nicht in den Hausmüll!**

Gemäß Europäischer Richtlinie 2002/96/EG über Elektro- und Elektronik-Altgeräte und Umsetzung in nationales Recht müssen verbrauchte Elektrowerkzeuge getrennt gesammelt und einer umweltgerechten Wiederverwertung zugeführt werden.

## GARANTIE

Siehe allgemeine Garantiebedingungen, die dieser Betriebsanleitung als Anlage beigefügt werden.

## GERÄUSCH- UND VIBRATIONSWERTE

Das Werkzeug wurde für eine minimale Geräuscentwicklung konstruiert und gebaut. **Unter besonderen Bedingungen jedoch kann das maximale Geräuschniveau im Arbeitsbereich 85 dBA überschreiten. In diesem Fall muss sich der Benutzer durch einen Gehörschutz schützen.**

Die Schall- und Vibrationswerte des Geräts gemäß der Norm EN60745-1 liegen normalerweise bei:

Schalldruck = 82 dB(A)

Lautstärke = 95 dB(A)

**Es muss ein Gehörschutz getragen werden!**

Vibrationsbeschleunigung (mit Schlagwerk) = 2,7 m/s<sup>2</sup>

## CARACTERÍSTICAS TÉCNICAS

Respigadura		RF12/710
Potência absorvida	W	710
Velocidade em vazio	r.p.m.	18500
Distância entre brocas	mm	32
Ângulo de inclinação		0-90°
Profundidade de perfuração	mm	0-37
Ø Máximo da broca	mm	12
Ø Mínimo da broca	mm	6
Peso aprox. (com bucha)	Kg.	3.6

Respeite escrupulosamente as instruções contidas neste manual, conserve-o e tenha-o sempre à mão para eventuais verificações dos componentes indicados.

Utilizando a máquina com cuidado e cumprindo a manutenção normal, o seu funcionamento será prolongado. As funções e a utilização da ferramenta que você comprou são só e exclusivamente as indicadas neste manual. **É totalmente proibida qualquer outra utilização da ferramenta.**

## FIGURAS

DESCRIÇÃO (Ver figuras indicadas)

- A Interruptor ligar/desligar (Fig.1 e 9)
- B Ponta auxiliar (Fig.1)
- C Base rebatível (Fig.1)
- D Base frontal (Fig.1)
- E Guia de profundidade (Fig.1 e 5)
- F Patilha de sujeição de limite de profundidade (Fig.1 e 5)
- G Placa de apoio da base rebatível (Fig.1 e 7)
- H Escala graduada ângulo de rotação (Fig.1)
- I Escala regulação profundidade (Fig.5)
- J Protecção transparente frontal (Fig.6)
- K Limite escalonado (Fig.4)
- L Espiga de ajuste flexível (Fig.8)
- M Tampa motor (Fig.1 e 9)
- N Parafuso fixação broca (Fig.2 e 3)
- O Placa de apoio do limite vertical (Fig.4 e 10)
- P Pino (Fig.6)
- Q Molde diâmetro broca (Fig.6)
- R Parafuso fixação (Fig.6 e 8)
- S Suporte pinos (Fig.6)
- T Maçaneta de cremalheira e pinhão (Fig.4 e 10)
- U Parafuso de ajuste da torre (Fig.4)
- W Porta-ferramentas (Fig.3)
- X Parafuso ajuste do perno (Fig.8)
- Z Desaparafusador (Fig.2 e 8)

## EQUIPAMENTO DA MÁQUINA

- Manual de instruções de funcionamento
- Instruções de segurança
- Documento de garantia

## INSTRUÇÕES DE SEGURANÇA

- Ver o manual anexo "**Instruções de Segurança**" que é fornecido conjuntamente com este manual de instruções.
- Ligue sempre a máquina a uma rede protegida por interruptor diferencial e magneto-térmico, para a sua segurança pessoal, segundo normas estabelecidas para instalações eléctricas de baixa tensão.

- Não perfurar a carcaça da máquina, já que se rompe o isolamento de protecção (utilize rótulos autocolantes).
- Controle a área de trabalho com um detector de metais já que pode haver condutores eléctricos, condutas de gás e/ou água ocultas.
- Desligue sempre a ficha da tomada, antes de realizar qualquer trabalho na máquina.
- Para desligar a máquina deve utilizar sempre o interruptor, e nunca retirando a ficha da tomada.
- **ATENÇÃO!** Cada vez que precisar utilizar a máquina, verifique o estado da ficha e do cabo. Caso estejam estragados, substitua-os num centro técnico oficial.
- Mantenha sempre o cabo afastado do raio de acção da máquina.
- Ligue a máquina à rede somente na posição desligada.
- Segurar sempre a máquina com firmeza, com ambas as mãos, e mantendo uma posição estável.
- Trabalhar sempre sobre uma base segura.
- Certifique-se de que as aberturas de ventilação estão sempre livres quando se trabalhar com poeira. Se for preciso limpar a poeira, em primeiro lugar deverá desligar a máquina, não utilizar objectos metálicos e evitar danificar as partes internas.
- Quando perfurar em paredes, tecto ou chão, tenha cuidado para evitar os fios eléctricos e canalizações de gás ou água.
- Não corte nunca peças metálicas, como por exemplo pregos.
- Comprove que a peça de trabalho não contém corpos estranhos.
- Não introduza nunca as mãos no expulsor de serradura com a máquina em funcionamento.
- **Manter a área de trabalho limpa e bem iluminada.** As áreas atulhadas e escuras podem causar acidentes.
- **Não fazer funcionar ferramentas eléctricas em atmosferas explosivas, por exemplo em proximidade de líquidos, gases ou pó inflamáveis.** As ferramentas eléctricas produzem faíscas que podem causar o acendimento de pó ou vapores.
- **Manter longe as crianças e em geral a gente que passa durante o funcionamento de uma ferramenta eléctrica.** As distrações podem fazer perder o controle da ferramenta.
- **As tomadas da ferramenta eléctrica devem ser correspondentes. Nunca modificar a tomada de forma nenhuma. Não utilizar tomadas adaptadoras com ferramentas eléctricas dotadas de ligação à terra (à massa).** Tomadas não modificadas e correspondentes reduzem o risco de choque eléctrico.

- **Evitar o contacto do corpo com superfícies com ligação à terra ou à massa como tubos, radiadores, fogões e geladeiras.** Se o corpo está à terra ou à massa o risco de choque eléctrico aumenta.
- **Não deixar as ferramentas eléctricas debaixo da chuva e não utiliza-las em lugares húmidos.** A entrada de água numa ferramenta eléctrica aumenta o risco de choque eléctrico.
- **Não maltratar o cabo. Nunca utilizar o cabo para transportar, puxar ou desligar a ferramenta eléctrica da tomada da rede de energia. Manter o cabo distante de calor, óleo, bordos afiados ou peças em movimento.** Cabos danificados ou enrolados aumentam o risco de choque eléctrico.
- **Quando se faz funcionar uma ferramenta eléctrica no externo, utilizar um cabo de extensão apropriado para o uso no externo.** A utilização de um cabo apropriado reduz o risco de choques eléctricos.
- **Nunca perder a atenção, controlar aquilo que se está fazendo e usar o bom senso quando estão funcionando ferramentas eléctricas. Não ligar a ferramenta se estiver cansado ou sub uso de drogas, álcool ou remédios.** Um instante de falta de atenção durante o funcionamento de ferramentas eléctricas pode determinar lesões pessoais sérias.
- **Utilizar equipamentos de segurança, colocar sempre protecções para os olhos.** A utilização apropriada de equipamentos de segurança como máscaras anti-poeira, sapatos de segurança contra os escorregamentos, capacete de segurança ou protecções para o ouvido reduz a possibilidade de lesões nas pessoas.
- **Vestir de maneira apropriada. Não usar vestidos largos ou jóias. Manter os cabelos, as roupas e as luvas longe das peças em movimento.** Roupas largas, jóias ou cabelos compridos podem ficar presos nos componentes em movimento.
- **Guardar as ferramentas que não estão sendo utilizadas fora do alcance das crianças e não deixar que pessoas sem experiência ou pessoas que não conhecem estas instruções possam usar o aparelho.**
- **Executar a manutenção necessária das ferramentas eléctricas. Verificar o possível alinhamento errado ou o bloqueio das partes do equipamento em movimento, a quebra das peças e qualquer outra situação que possa prejudicar o funcionamento das ferramentas eléctricas. Se for danificada, fazer consertar a ferramenta eléctrica antes de utiliza-la.** Muitos acidentes são causados pelo estado de manutenção ruim das ferramentas eléctricas.
- **Utilizar a ferramenta eléctrica, os acessórios, as pontas, etc. de acordo com estas instruções e da forma prevista para este tipo particular de ferramenta eléctrica, considerando as condições de trabalho ou da operação a ser executada.** A utilização da ferramenta eléctrica para operações diferentes de aquelas previstas pode causar situações perigosas.

## DESCRIÇÃO ABREVIADA

Esta ferramenta só se pode utilizar para realizar perfurações em madeira maciça e materiais compostos,

como madeira aglomerada, tabuleiros de madeira estratificada e tabuleiros MDF, utilizando as brocas adequadas.

Qualquer outra utilização da máquina é considerada inadequada e não se poderá apresentar nenhuma reclamação ao fabricante pelos danos que resultem da utilização inadequada, assumindo, em tal caso, o utilizador, unicamente, toda a responsabilidade.

## ANTES DE UTILIZAR ESTA FERRAMENTA

Antes de utilizar a ferramenta, assegure-se de que a tensão da rede eléctrica é a correcta: A indicação de tensão na placa de características deve coincidir com a tensão de rede. Os aparelhos que funcionam a 230V também podem ser ligados a uma tensão de rede de 220V.

Verifique que as brocas estão correctamente montadas.

Para o trabalho com apenas uma broca, desmonte o parafuso prisioneiro do assento livre.

Sempre que seja possível, fixe a peça de trabalho para que não se possa mover.

O pó da madeira prejudica a visibilidade e pode ser nocivo para a saúde. A máquina tem que estar ligada a um sistema de aspiração.

## FUNCIONAMENTO DA FERRAMENTA

**ATENÇÃO!** Comprovar que a tensão da rede coincide com a das características da máquina.

Ligar a máquina à rede com o interruptor desligado.

A máquina põe-se em funcionamento colocando o interruptor de comando na posição 1 ("on"). Para desligar, actuar no sentido contrário.

## MUDANÇA DAS BROCAS

Para mudar a lâmina do desaparafusador **A** extraia para a frente o limite de profundidade **B**.

**PRECAUÇÃO:** Desligue sempre a tomada antes de realizar qualquer ajuste na máquina.

Use brocas bem afiadas para obter um corte limpo.

- Oriente o assento da ferramenta com os parafusos **N** para cima (Fig.2 e 3).

- Afrouxe os parafusos com a ajuda do desaparafusador **Z**.

- Desmonte a broca puxando para fora.

- Introduza a nova broca no assento e ajuste a superfície de fixação de maneira a que possa ser fixada através dos parafusos.

- Fixe as brocas apertando os parafusos.

- Verifique o assento correcto das brocas.

A pré-selecção do limite de profundidade é alterada, é necessário regular novamente o limite.

- Afrouxe a placa **F** (Fig.5).

- Abra completamente a base rebatível **C**.

- Aperte novamente a placa **F**.

- Coloque a máquina no limite.

- Desloque para a frente a tampa do motor **M** até a ponta da broca fazer contacto.

- Afrouxe a placa **F** e introduza o limite de profundidade **E** e aperte a placa **F**.

- Ajuste a escala **I** em zero.

## AJUSTE DAS BROCAS

**Ajuste da profundidade de perfuração (Fig.5)**

- Afrouxe a placa **F**.



- Ajuste o limite de profundidade **E** até ao valor desejado.
- Aperte a placa **F**.

### Ajuste do ângulo de inclinação (Fig.7)

A base rebatível **C** pode ajustar-se de maneira contínua de 0° a 90°.

Para facilitar o ajuste rápido existem três posições de encaixe: 22,5°, 45° e 67,5°.

- Afrouxe a placa **G**.
- Ajuste a base rebatível **C** ao ângulo desejado e segundo a escala **H** indicada na base.
- Aperte a placa **G**.

### Ajuste da distância entre limites de perfuração.

- Afrouxe a placa **O** (Fig.4 e 10).
- Ajuste a base rebatível **C** ao valor desejado, segundo a escala.
- Desloque o limite para cima ou para baixo, utilizando a maçaneta de cremalheira e pinhão **T** até obter a altura desejada.
- Aperte a placa **O**.

Com a ajuda do limite escalonado **K** podem realizar-se diferentes intervalos de distância definidos.

- Afrouxe a porca do parafuso de ajuste da torre **U**.
- Suba o parafuso de ajuste da torre de forma a permitir que este saia da torre.
- Fixe o limite na altura necessária seguindo as instruções da secção "Ajuste da altura do limite" acima.
- Desça o parafuso de ajuste da torre até que este faça contacto com a torre.
- Aperte a porca do parafuso de ajuste da torre.

**Nota:** A torre tem 4 posições fixas que podem ser ajustadas para qualquer posição da guia. Cada posição tem 3 mm de incremento e está calibrada de fábrica com os ajustes indicados na etiqueta.

## INSTRUÇÕES MUDANÇA MOLDE (Fig.6)

### Ajuste dos pernos.

1. Retirar a broca e, no lugar desta, colocar o pino **P**.
2. Afrouxar o parafuso de bloqueio **R**.
3. Colocar o molde **Q** e colocá-lo na posição de acordo com o diâmetro da broca que se pretenda utilizar.
4. Apertar manualmente o suporte pinos **S** até ao limite e apertar o parafuso de fixação **R**.
5. Retirar o molde **Q**, o pino **P** e colocar a respectiva broca.
6. Repetir a mesma operação para a segunda broca.

## REALIZAR PERFURAÇÕES SEGUNDO AS LINHAS DE TRAÇADO

Na base rebatível **C** existem três marcas das quais a da direita e a da esquerda correspondem ao centro das brocas.

- Coloque a máquina na peça de trabalho e ajuste-a com a ajuda da marca.
- Coloque o limite giratório na peça de trabalho com a mão livre.
- Ponha em funcionamento a máquina e empurre a tampa do motor **M** para a frente até ao limite.
- Retire a tampa do motor **M** e desligue a máquina.

## PERFURAR COM ESPIGA DE AJUSTE (Fig.4)

A base **D** tem duas espigas **L** de ajuste flexível que permite realizar perfurações mantendo uma distância fixa com o borde exterior da peça a trabalhar. A

máquina pode colocar-se à direita ou à esquerda da peça que se vai trabalhar segundo as necessidades.

- Situe a máquina na peça de trabalho introduzindo uma das espigas **L** e colocando a outra no borde exterior da peça de trabalho.
- Situe a base rebatível **C** na peça de trabalho, ponha a máquina em funcionamento e empurre a tampa do motor **M** para a frente até ao limite.
- Retire a tampa do motor **M** e desligue a máquina.

## ASPIRAÇÃO DA POEIRA E SERRADURA

**ADVERTÊNCIA!** Assegure-se sempre de que a ferramenta está desligada e com a ficha retirada da tomada, antes de instalar ou extrair qualquer dispositivo de aspiração de poeira.

A aspiração da poeira reduz a sujidade no local de trabalho, evita um elevado conteúdo de poeira no ar a respirar e facilita a eliminação de resíduos.

**PRECAUÇÃO:** Utilize sempre um extractor de aspiração desenhado de acordo com as directrizes aplicáveis em relação à emissão de pó. Os tubos flexíveis de aspiração dos aspiradores mais comuns são directamente ajustados à abertura de extracção de poeira.

## ACESSÓRIOS

Os acessórios e os seus respectivos números para encomenda estão presentes nos nossos catálogos.

## MANUTENÇÃO E CUIDADOS

**ATENÇÃO!** Desligue sempre a ficha da tomada antes de efectuar qualquer trabalho na máquina.

- **Inspeccionar os parafusos de montagem:** Inspeccionar regularmente todos os parafusos de montagem e comprovar que se encontram bem apertados. Se qualquer parafuso se encontrar solto, voltar a apertá-lo imediatamente. O não cumprimento desta regra poderá resultar num risco grave para si.
- **Manutenção do motor:** Prestar o maior cuidado e certificar-se de que as bobinas do motor não ficam danificadas e/ou húmidas com óleo ou água.
- Manter sempre livres e limpas as aberturas de ventilação.
- Limpar de forma esmerada a máquina depois de a utilizar. Soprar regularmente o motor com ar comprimido.
- Comprovar que o cabo de alimentação se encontra em bom estado e, caso contrário, recorrer a um serviço de assistência técnica para o substituir.
- **Substituição das escovas:** As escovas devem ser substituídas quando o seu comprimento for inferior a 8 mm. Para tal, deve recorrer a um centro de assistência autorizado para efectuar a mudança. Recomendamos que em cada segunda mudança de escovas, entregue a máquina a um dos nossos Serviços de Assistência Técnica para uma revisão de limpeza e lubrificação geral.
- Só devem utilizar-se acessórios e peças sobressalentes **Felisatti**. As peças cujas peças sobressalentes não estejam descritas nestas instruções de utilização, devem ser substituídas num serviço de assistência técnica **Felisatti** (Consulte a brochura Garantia/Endereços de Serviços de Assistência Técnica).



**Não coloque as ferramentas eléctricas no lixo doméstico!**

De acordo com a Directiva Europeia 2002/96/CE relativa aos resíduos dos equipamentos eléctricos e electrónicos e à conversão no direito nacional, as ferramentas eléctricas usadas devem ser separados e devem ser sujeitos a uma reciclagem que respeite o meio ambiente.

### **GARANTIA**

Ver condições gerais de concessão de Garantia na brochura anexa a estas instruções.

### **VALORES DE RUÍDO E VIBRAÇÃO**

A ferramenta foi desenhada e construída para reduzir ao mínimo os ruídos, mas apesar disto, **em condições especiais, o nível de ruído máximo no local de trabalho poderá ser superior a 85 dBA. Neste caso, o operador deve proteger-se do ruído excessivo por meio da utilização de protectores auditivos.**

Os níveis de ruído e vibração da máquina, medidos segundo a norma EN60745-1, elevam-se normalmente a:

Pressão acústica = 82 dB(A)

Potencia acústica = 95 dB(A)

**Usar protectores auditivos!**

Aceleração de vibração (com percussão) = 2,7 m/s<sup>2</sup>



### **DECLARAÇÃO DE CONFORMIDADE**

Declaramos, sob a nossa inteira responsabilidade, que os produtos da marca **FELISATTI** descritos neste manual RF12/710 estão em conformidade com as seguintes normas ou documentos normalizados: EN60745-1:2008, EN55014-1:2006+A1, EN55014-2:1997+A1+A2, EN61000-3-2:2006+A1+A2 e EN61000-3-3:2008 de acordo com as directivas 2006/42/CEE, 2006/95/CEE, 2004/108/CEE e 2002/95/CEE.



Francisco Ruiz  
Dir. Fábrica

**ТЕХНИЧЕСКИЕ ХАРАКТЕРИСТИКИ**

		<b>RF12/710</b>
<b>Очиститель</b>		<b>710</b>
Входная мощность	Вт	710
Скорость на холостом ходу	об/ мин	18500
Расстояние между сверлами	мм	32
Угол наклона		0-90°
Глубина перфорации	мм	0-37
Максимальный диаметр для сверл	мм	12
Минимальный диаметр для сверл	мм	6
Вес приблиз.	кг	3,6

Соблюдайте все правила по эксплуатации, изложенные в этой инструкции. Храните инструкцию в надежном месте. Инструкция должна находиться под рукой для консультаций во время ухода за электроинструментом.

Бережное обращение с электроинструментом и соблюдение правил по эксплуатации значительно продлит срок его эксплуатации.

Данный электроинструмент должен использоваться только по своему прямому назначению, предусмотренному настоящей инструкцией по эксплуатации. **Категорически запрещается любое другое применение электроинструмента.**

**ВНЕШНИЙ ВИД**

ОПИСАНИЕ (Смотрите указанные рисунки)

- A Выключатель вкл/выкл (Рис. 1 и 9)
- B Вспомогательная рукоятка (Рис. 1)
- C Складная база (Рис. 1)
- D Торцовая база (Рис. 1)
- E Измеритель глубины (Рис. 1 и 5)
- F Винт фиксации ограничителя глубины (Рис. 1 и 5)
- G Гайка-барашек складной базы (Рис. 1 и 7)
- H Градуированная шкала угла поворота (Рис. 1)
- I Шкала регулировки глубины (Рис. 5)
- J Прозрачное переднее ограждение (Рис. 6)
- K Ступенчатый ограничитель (Рис. 4)
- L Гибко регулируемый штift (Рис. 8)
- M Крышка электродвигателя (Рис. 1 и 9)
- N Винт крепления сверла (Рис. 2 и 3)
- O Гайка-барашек вертикального упора (Рис. 4 и 10)
- P Палец (Рис. 6)
- Q Шаблон диаметра фрезы (Рис. 6)
- R Фиксирующий болт (Рис. 6 и 8)
- S Опора пальца (Рис. 6)
- T Рукоятка реечного механизма (Рис. 4 и 10)
- U Винт регулировки револьверной головки (Рис. 4)
- W Держатель инструмента (Рис. 3)
- X Винт регулировки шпильки (Рис. 8)
- Z Отвертка (Рис. 2 и 8)

**АКСЕССУАРЫ, ВХОДЯЩИЕ В КОМПЛЕКТ ПОСТАВКИ**

- Инструкция по эксплуатации
- Правила по технике безопасности
- Гарантийный талон

**ПРАВИЛА ПО ТЕХНИКЕ БЕЗОПАСНОСТИ**

- Внимательно ознакомьтесь с прилагаемыми к этой инструкции "Правилами по технике безопасности".

- Для Вашей безопасности электроинструмент должен подключаться к электросети, защищенной дифференциальным магнитотепловым однофазным автоматом, предохраняющим электросеть от перегрузок и коротких замыканий.
- Не делайте отверстия в корпусе электроинструмента, так как это может привести к повреждению изолирующего слоя (используйте наклейки).
- Перед началом работы исследуйте обрабатываемую поверхность металлоискателем, так как в стенах могут проходить электропроводки, газовые и водопроводные трубы.
- Перед уходом за электроинструментом всегда отключайте кабель питания от электросети.
- Вынимайте кабель питания из розетки держась за штепсель, ни в коем случае не тяните за кабель питания.
- **ВНИМАНИЕ!** Каждый раз перед использованием электроинструмента убедитесь в исправности питающего кабеля и вилки. В случае обнаружения каких-либо неисправностей обращайтесь к специалистам.
- Избегайте попадания кабеля питания на обрабатываемую электроинструментом поверхность.
- Подключайте электроинструмент к сети только после того как Вы убедитесь в том, что кнопка включения находится в выключенном состоянии.
- Во время работы крепко держите электроинструмент обеими руками.
- Работы должны производиться на стабильной поверхности.
- В пыльной среде вентиляционные отверстия всегда должны находиться открытыми. Если отверстия загрязняются, их необходимо очистить, предварительно выключив электроинструмент. Для чистки запрещается использовать металлические предметы. Чистку производите аккуратно, чтобы не повредить внутренние части и узлы электроинструмента.
- При сверлении стен, потолка или пола будьте осторожны с электропроводками, газовыми и водопроводными трубами.
- Не подвергаемые резанию металлические предметы, например гвозди.
- Обеспечьте отсутствие в объекте посторонних предметов.
- Следите, чтобы ваши руки не попадали в выбрасыватель стружки во время работы станка.
- **Рабочая зона должна содержаться в чистоте и иметь хорошее освещение.** Загроможденные и

плохо освещённые зоны могут привести к возникновению пожаров.

- **Не использовать электроинструменты во взрывоопасных средах, например, при наличии огнеопасных жидкостей, газов и порошков.** При работе электроинструментов образуются искры, которые могут привести к возгоранию порошков или дыму.
- **Дети и прохожие должны находиться вдали от функционирования электроинструмента.** Невнимательность может привести к потере контроля над инструментом.
- **Вилка электроинструмента должна соответствовать розетке. Вилка не должна быть модифицирована. Не использовать адаптерные вилки с электроинструментами с замыканием на землю или на массу.** Немодифицированные вилки и соответствующие розетки снижают риск электрического удара.
- **Избегать контакта с поверхностями, замкнутыми на землю или на корпус, а именно: с трубами, радиаторами, кухонными плитами и холодильниками.** Если человек на земле или на массе, риск электрического удара повышается.
- **Не оставлять электроинструменты под дождём и не использовать их в местах с высоким уровнем влажности.** Попадание воды в электроинструмент повышает риск электрического удара.
- **Не допускать небрежного обращения с кабелем. Не использовать кабель в целях перемещения, натягивания или отсоединения электроинструмента от розетки сети. Кабель должен находиться вдали от источников тепла, масла, режущих краёв или движущихся частей.** Повреждённые или перекрученные провода повышают риск электрического удара.
- **При использовании электроинструмента вне помещения использовать соответствующий кабель-удлиннитель для работы вне помещений.** Использование соответствующего кабеля снижает риск электрического удара.
- **Не отвлекаться, проверять выполняемые действия и использовать электроинструменты в соответствии со здравым смыслом. Не работать с электроинструментом при усталости или под воздействием наркотических веществ, алкоголя и медицинских препаратов.** Невнимательность при работе с электроинструментами может привести к серьёзным травмам.
- **Использовать защитное оборудование. Необходимо обеспечить защиту глаз.** Соответствующее использование защитного оборудования такого как пылезащитные маски, противоскользкая обувь, защитный шлем, а также слуховая защита снижает возможность получения травм.
- **В случае наличия устройств для извлечения и сбора пыли, подсоединяемых к оборудованию, убедиться, что они подсоединены и используются соответствующим образом.** Использование данных устройств может снизить риски, возникающие от пыли.

- **Размещать неиспользуемые электроинструменты вдали от детей и не допускать их использование со стороны неопытного персонала, а также людей, не ознакомленных с данными правилами.** Электроинструменты представляют опасность при их использовании со стороны неквалифицированного персонала.

- **Выполнять необходимое техническое обслуживание электроинструментов. Проверить возможное ошибочное регулирование или блокировку движущихся частей, поломку частей, а также все другие условия, которые могут сказываться на функционировании электроинструментов. При их повреждении необходимо выполнить ремонт перед использованием.** Часто аварийные ситуации вызваны неподходящим техническим обслуживанием электроинструментов.

- **Использовать электроинструменты, аксессуары и наконечники в соответствии с данными правилами, а также нормами, предусмотренными для данного электроинструмента, учитывая рабочие условия и операции для выполнения.** Использование электроинструмента для операций, отличных от предусмотренных, может привести к опасным ситуациям.

## КРАТКОЕ ОПИСАНИЕ

Данный инструмент предназначен только для просверливания отверстий в твердом дереве и сложных материалах, таких как сучковатое дерево, многослойные деревянные панели и модифицированные панели, с использованием соответствующих сверл.

Любое иное применение данного станка будет рассматриваться как использование его не по назначению, поэтому при появлении повреждений, вытекающем из такого использования, изготовителю не могут быть предъявлены никакие претензии и вся ответственность за повреждения в этом случае ложится на пользователя.

## ПЕРЕД НАЧАЛОМ РАБОТЫ

Перед началом работы убедиться в том, что напряжение электросети соответствует рабочему напряжению электроинструмента: рабочее напряжение указано на табличке характеристик на корпусе электроинструмента. Если на табличке характеристик указано напряжение 230 В, то электроинструмент также можно включать в сеть под напряжением 220 В.

Обеспечьте правильную установку сверл.

Для работы с одним сверлом снимите резьбовую шпильку со свободного фитинга.

По мере возможности установите объект таким образом, чтобы он оставался неподвижным.

Деревянная пыль снижает видимость и может оказаться вредной для здоровья. Станок должен быть подсоединен к системе всасывания пыли.

## ПУСК ЭЛЕКТРОИНСТРУМЕНТА

**ВНИМАНИЕ!** Напряжение электросети должно соответствовать рабочему напряжению электроинструмента.

Производите подключение к электросети только при выключенной кнопке включения.

Пуск производится путем установки выключателя в положение 1 ("ON"). Чтобы выключить электроинструмент, переведите выключатель в исходное положение.

## СМЕНА СВЕРЛ

**ПРЕДУПРЕЖДЕНИЕ!** Перед выполнением любых регулировок машины ее следует обязательно отключить.

Для обеспечения чистоты резания необходимо применять хорошо заточенные сверла.

- Установите фитинг для инструмента таким образом, чтобы винты (**N**) были направлены вверх (Рис. 2 и 3).
- Отпустите винты с помощью отвертки (**Z**).
- Снимите сверло, вытянув его наружу.
- Вставьте новое сверло в фитинг и отрегулируйте фиксирующую поверхность таким образом, чтобы она была закреплена на месте при помощи винтов.
- Закрепите сверла путем затягивания винтов.
- Обеспечьте правильную установку сверл.

Предварительный выбор ограничителя глубины винта изменится, поэтому необходимо снова отрегулировать ограничитель.

- Отпустите гайку-барашек (**F**) (Рис. 5).
- Полностью откройте складную базу (**C**).
- Снова затяните гайку-барашек (**F**).
- Установите станок в нужное положение.
- Переведите крышку (**M**) электродвигателя вперед таким образом, чтобы она вошла в соприкосновение с наконечником сверла.
- Отпустите гайку-барашек (**F**) и вставьте упор глубины (**E**), после чего затяните гайку-барашек (**F**).
- Отрегулируйте шкалу на ноль (**I**).

## РЕГУЛИРОВКА СВЕРЛ

**Регулировка глубины перфорации (Рис. 5)**

- Отпустите гайку-барашек (**F**).
- Отрегулируйте упор глубины (**E**) на выбранный вами уровень.
- Затяните гайку-барашек (**F**).

**Регулировка угла наклона (Рис. 7)**

Складная база (**C**) может быть отрегулирована бесступенчато в диапазоне от 0 до 90°.

Для облегчения быстрых регулировок в устройстве предусмотрены три настроечных положения: 22,5, 45 и 67,5.

- Отпустите гайку-барашек (**G**).
- Отрегулируйте складную базу (**C**) на выбранный вами угол, а также в соответствии со шкалой (**H**), указанной на базе.
- Затяните гайку-барашек (**G**).

**Регулировка расстояния между границами перфорации.**

- Отпустите гайку-барашек (**O**) (Рис. 4 и 10).
- Отрегулируйте складную базу (**C**) на выбранный уровень согласно шкале.

- С помощью рифленой ручки и тройника переведите ограничитель вверх или вниз до достижения желаемой высоты.

- Затяните гайку-барашек (**O**).
- С помощью ступенчатого ограничителя (**K**) можно настроить различные определенные интервалы расстояния.
- Отпустите гайку на регулировочном винте револьверной головки (**U**).
- Поднимите регулировочный винт револьверной головки настолько, чтобы он выступал из головки.
- Установите ограничитель на необходимую высоту, следуя инструкциям, данным в разделе «Регулировка высоты ограничителя».
- Опустите регулировочный винт револьверной головки настолько, чтобы он вошел в контакт с головкой.
- Затяните гайку на регулировочном винте револьверной головки.

**Примечание.** Револьверная головка имеет четыре фиксированных положения, которые можно задавать согласно любому положению направляющей. Каждое положение соответствует возрастанию на 3 мм и откалибровано изготовителем согласно настройкам, указанными на этикетке.

## ИНСТРУКЦИИ ПО ЗАМЕНЕ ШАБЛОНА (Рис. 6)

**Регулировка шпилек**

1. Снимите фрезу и вместо него вставьте палец (**P**).
2. Отпустите фиксирующий болт (**R**).
3. Установите шаблон (**Q**) и приведите его в требуемое положение в зависимости от диаметра используемой фрезы.
4. Вручную затяните опору пальца (**S**) до упора в ограничитель и затяните фиксирующий болт (**R**).
5. Снимите шаблон (**Q**) и палец (**P**) и установите соответствующую фрезу.
6. Повторите эту операцию для другой фрезы.

## ПЕРФОРАЦИЯ СОГЛАСНО НАПРАВЛЯЮЩИМ ЛИНИЯМ

На складной базе (**C**) имеются три отметки, из которых правая и левая соответствуют центру сверл.

- Установите станок над объектом и отрегулируйте его при помощи маркеров.
- Расположите вращающийся упор над объектом при помощи свободной руки.
- Запустите станок и нажмите на крышку (**M**) электродвигателя таким образом, чтобы она дошла до упора.
- Снимите крышку (**M**) электродвигателя и отсоедините станок.

## ПЕРФОРАЦИЯ ПРИ ПОМОЩИ РЕГУЛИРОВОЧНОГО ШТИФТА (Рис. 8)

База (**D**) имеет два гибко регулируемых штифта (**L**), которые позволяют выполнять перфорацию, выдерживая фиксированное расстояние от наружной границы объекта, подвергаемого обработке. Станок по желанию может быть установлен слева или справа от объекта, подвергаемого обработке.

- Установите станок над объектом, подлежащим обработке, вставив один штифт (**L**) и расположив другой на наружной границе объекта.
- Установите складную базу (**C**) на объекте, подлежащем обработке, запустите машину и

нажмите на крышку (М) электродвигателя таким образом, чтобы она дошла до упора.

- Снимите крышку (М) электродвигателя и отсоедините станок.

## ПЫЛЕСБОРНИК

**ВНИМАНИЕ!** Перед установкой или снятием пылесборника убедитесь в том, что электроинструмент выключен, и кабель питания отключен от электросети.

Пылесборник позволяет избежать загрязнения рабочего места, снижает содержание пыли в воздухе и облегчает сбор опилок.

**ПРЕДУПРЕЖДЕНИЕ:** Следует всегда использовать всасывающий вытяжной вентилятор, который был спроектирован в соответствии с действующими директивами применительно к образованию пыли в процессе обработки древесины. Если используется обычный пылесос, его шланг можно установить прямо на вывод.

## АКСЕССУАРЫ

Аксессуары можно заказать по каталогу, указав их порядковый номер.

## ПРАВИЛА ПО УХОДУ

**ВНИМАНИЕ!** Перед уходом за электроинструментом всегда отключайте питающий кабель от электросети.

- **Осмотр винтов корпуса:** Регулярно проверяйте надежность крепления всех винтов. При обнаружении ослабленного винта немедленно затяните его. В противном случае Вы подвергаете себя риску получения травмы.
- **Уход за электродвигателем:** Необходимо особенно бережно относиться к электродвигателю, избегать попадания воды или масла в его обмотки.
- Вентиляционные отверстия электроинструмента должны быть всегда открытыми и чистыми.
- По окончании работ инструмент необходимо тщательно вычистить. Регулярно прочищайте электродвигатель сжатым воздухом.
- Перед использованием электроинструмента проверьте исправность кабеля. Если кабель поврежден, то необходимо обратиться в центр технического обслуживания для его ремонта или замены.
- **Замена щеток:** Щетки необходимо менять, когда их длина станет меньше 8 мм. Эта операция должна выполняться только в центрах технического обслуживания, имеющих разрешение на этот вид деятельности. Рекомендуется сдавать электроинструмент в один из наших Центров Технического Обслуживания после каждой второй замены щеток для проведения технического осмотра, чистки и смазки.
- Разрешается использовать только аксессуары и запчасти фирмы **Felisatti**. Замена неисправных деталей, за исключением тех, которые описываются в этой инструкции, должна производиться только в центрах технического обслуживания фирмы **Felisatti** (Смотрите прилагаемый гарантийный талон/адреса центров технического обслуживания).



**Запрещается выбрасывать электронинструмент вместе с бытовыми отходами!**

В соответствии с Директивой ЕС номер 2002/96/ЕС относительно старых электрических и электронных устройств и ее приложением к национальному законодательству бывшие в употреблении электрические приборы необходимо собирать отдельно и утилизировать способами, не наносящими вреда экологии.

## ГАРАНТИЯ

Условия гарантии смотрите в гарантийном талоне, прилагаемом к этой инструкции по эксплуатации.

## ШУМ И ВИБРАЦИЯ

При разработке данного инструмента особое внимание уделялось снижению уровня шума. Несмотря на это, **в некоторых случаях уровень шума на рабочем месте может достигнуть 85 дБА. В этой ситуации оператор должен использовать средства звуковой защиты.**

Уровень шума и вибрации инструмента соответствует нормативам EN60745-1 и имеет следующие номинальные параметры:

Акустическое давление = 82 дБ (А)

Акустический резонанс = 95 дБ (А)

**Пользуйтесь средствами звуковой защиты!**

Ускорение вибрации (при сверлении с ударом) = 2,7 м/с<sup>2</sup>



## ДЕКЛАРАЦИЯ О СООТВЕТСТВИИ

Мы со всей ответственностью заявляем, что электроинструменты RF12/710 марки **FELISATTI**, описание которых приведено в данной инструкции, соответствуют требованиям следующих нормативных документов: EN60745-1:2008, EN55014-1:2006+A1, EN55014-2:1997+A1+A2, EN61000-3-2:2006+A1+A2 и EN61000-3-3:2008 в соответствии с директивами ЕС 2006/42/EC, 2006/95/EC, 2004/108/EC и 2002/95/EC.



Francisco Ruiz  
Директор фабрики

Производитель оставляет за собой право вносить технические изменения 07/2011



**Interskol Power Tools S.L.**  
Ctra. de Sant Joan de les Abadesses s/n  
17500 RIPOLL (Girona)  
**[www.felisatti.es](http://www.felisatti.es)**