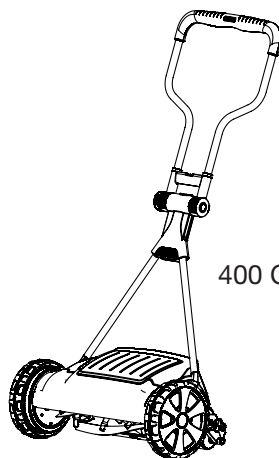


330 Art. 4027  
400 Art. 4018



400 C Art. 4022

**D Betriebsanleitung**  
Spindelmäher

**GB Operating Instructions**  
Hand Cylinder Lawnmower

**F Mode d'emploi**  
Tondeuses hélicoïdales à main

**NL Gebruiksaanwijzing**  
Kooimesmaaier

**S Bruksanvisning**  
Handgräsklippare

**DK Brugsanvisning**  
Håndplæneklipper

**FI Käyttöohje**  
Kelaleikkuri

**N Bruksanvisning**  
Håndklipper

**I Istruzioni per l'uso**  
Rasaprato a mano elicoidale

**E Instrucciones de empleo**  
Cortacéspedes manuales  
helicoidales

**P Manual de instruções**  
Cortador de relva cilíndrico

**PL Instrukcja obsługi**  
Ręczna kosiarka bębnowa

**H Használati utasítás**  
Suhanó fűnyíró

**CZ Návod k obsluze**  
Vřetenová sekačka

**SK Návod na obsluhu**  
Vřetenová kosačka

**GR Οδηγίες χρήσης**  
Κυλινδρική χλοοκοπτική μηχανή

**RUS Инструкция по эксплуатации**  
Газонокосилка барабанная  
механическая

**SLO Navodilo za uporabo**  
Vretenska kosilnica

**HR Upute za uporabu**  
Vretenaste kosilice

**SRB Uputstvo za rad**  
Vretenaste kosilice

**UA Інструкція з експлуатації**  
Газонокосарка барабанна

**RO Instrucțiuni de utilizare**  
Masina manuala tuns iarba

**TR Kullanma Kılavuzu**  
Mekanik Çim Biçme

**BG Инструкция за експлоатация**  
Ръчна цилиндрична косачка

**AL Manual përdorimi**  
Korrëse bari

**EST Kasutusjuhend**  
Spindelniiduk

**LT Eksploatavimo instrukcija**  
Cilindrinė vejapjovė

**LV Lietošanas instrukcija**  
Cilindrisko asmeņu zāles pļāvējs

# GARDENA Hand Cylinder Lawnmower

## 330/400/400 C



### Translation of the original German operating instructions.

Please read the operating instructions carefully and observe the notes given. Use these operating instructions to familiarise yourself with the product, the proper use and the safety instructions.



For safety reasons, children and young people under the age of 16, as well as people not familiar with these operating instructions, may not use this product. Persons with reduced physical or mental abilities may use the product only if they are supervised or instructed by a responsible person. Children must be supervised to ensure that they do not play with the product. Never operate the product when you are tired, ill or under the influence of alcohol, drugs or medicine.

→ Keep these operating instructions in a safe place.

### Contents:

1. Area of application of your GARDENA Hand Cylinder Lawnmower . . . . .	8
2. Safety Instructions . . . . .	8
3. Assembly . . . . .	9
4. Operation . . . . .	10
5. Putting into Storage . . . . .	10
6. Maintenance . . . . .	11
7. Troubleshooting . . . . .	11
8. Available accessories . . . . .	12
9. Technical Data . . . . .	13
10. Service/Warranty . . . . .	13

## 1. Area of application of your GARDENA Hand Cylinder Lawnmower

### Correct use:

The GARDENA Cylinder Lawnmower has been designed for cutting lawn and grass areas of private houses.

Compliance with these operating instructions provided by GARDENA is a prerequisite for using the cylinder lawnmower correctly.

### Please note:



**The cylinder lawnmower may not be used for cutting climbing plants or grass on roofs, due to the danger of bodily harm.**

## 2. Safety Instructions

### Checks before each operation:

Before use, an inspection is always to be performed in order to determine that all nuts, bolts and working tools are not worn down or damaged. Worn down or damaged blades are to be replaced in sets.

Inspect the surface on which the lawn mower is to be used beforehand. Stones, pieces of wood and wires as well as other solid matter are to be removed.

*Objects, which are contacted by the cutting tools, could be thrown out uncontrollably.*

**Proper use / responsibility:****DANGER!**

Take note that the rotating blade cylinder could cause injuries.

→ **Never place your hands or feet on or under moving parts.**

Do not use the lawnmower while people, especially children, or animals are nearby. The operator is liable for damages.

The safety distance between the blade cylinder and the operator that is created by the guiding spar is to be always maintained.

When mowing embankments and slopes, special care must be taken:

→ Make sure you always keep a safe distance and wear shoes with a nonslip sole. Always cut diagonally to the slope.

Take special care when moving backwards and when pulling the lawn mower. Danger of stumbling!

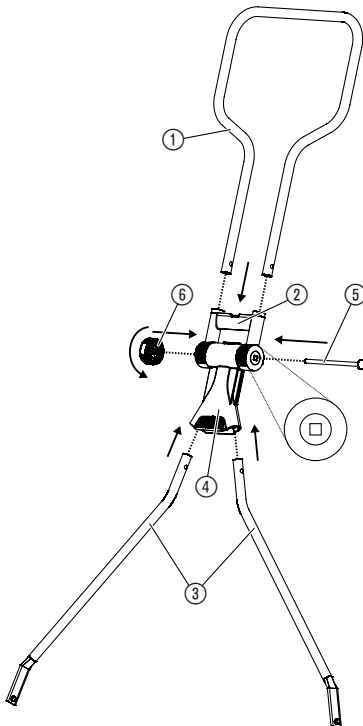
If the cutting tools or the lawnmower run into an obstruction and/or solid objects, the lawn mower should be properly and thoroughly inspected.

→ Only work when visibility is good.

Never leave the lawnmower unattended. If your work is interrupted, store the mower in a safe place.

Warning! Keep toddlers away when you assemble the unit. Small parts can be easily swallowed. There is also a risk that the polybag can suffocate toddlers.

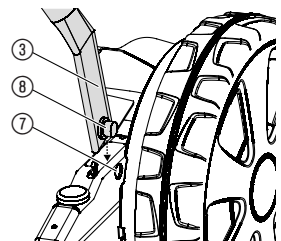
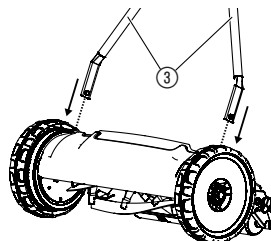
### 3. Assembly



1. Insert lower upright holder ④ into upper upright holder ② (already preassembled).
2. Insert upper part of upright ① up to stop in upper upright holder ②.
3. Insert both lower uprights ③ up to stop from underneath in lower upright holder ④.
4. Insert threaded rod ⑤ on side with square hole right through upright holder ②.
5. Screw clamping nut ⑥ onto threaded rod ⑤.
6. Insert both lower uprights ③ into upright holders ⑦ (pressing rods together slightly) until bolts ⑧ in upright holder bearings ⑦ engage.

**Tip:**

Allow to engage first on one side, then on the other.



## 4. Operation

### Mowing correctly:

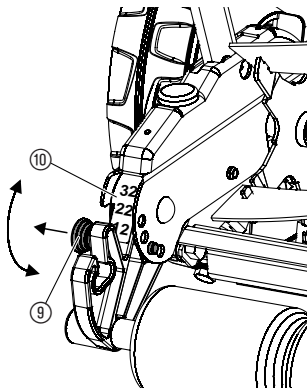
To produce a well-maintained lawn we recommend cutting the lawn regularly once a week if possible. The lawn becomes thicker if cut frequently.

Relatively long cut grass (> 1 cm) must be removed so that the lawn does not become yellow and matted.

After relatively long intervals between mowing (e.g. **holiday**), first of all cut in one direction with the cutting height as high as possible (42 mm), then cut in the crosswise direction at the cutting height required. The blades of grass should not be more than 12 cm long if they are to be cut with a cylinder mower.

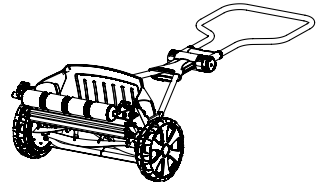
If possible only cut the grass when it is dry. If the grass is damp, the cutting pattern will be uneven.

### Adjusting the cutting height:



The cutting height can be set to any position from 12 mm to 42 mm in 4 steps.

1. Lay the mower onto the ground, so that it cannot fall over when adjusting the cutting height.
2. Pull both height adjustment mechanisms ⑨ and allow them to engage at the required height on the scale ⑩.



The height adjustment mechanisms ⑨ must always be set to the same height on both sides.

**CAUTION!** The mower may only be adjusted to a depth in which the lower blade does not touch the ground when it is uneven.

## 5. Putting into Storage

### Storage:

→ Clean cylinder mower before storage (see 6. Maintenance) and store in a dry place.

To save space, the upright can be collapsed by opening up the clamping nuts.

### Cleaning the mower:



**DANGER!**

**Cutting mechanism can cause injuries!**

→ **Wear suitable work gloves when undertaking maintenance.**



**CAUTION!**

**Damage to cylinder lawnmower!**

→ **Never clean your cylinder lawnmower with running water, in particular with water under high pressure.**

Always keep the lawnmower clean and remove grass deposits. Deposits affect the cutting result as well as discharge of grass clippings. Residual dirt and grass is easily removed immediately after mowing.

1. Remove grass deposits with a brush and a cloth.
2. Oil the blade cylinder and the lower blade with thin oil (e.g. sprayed oil).

## 7. Troubleshooting



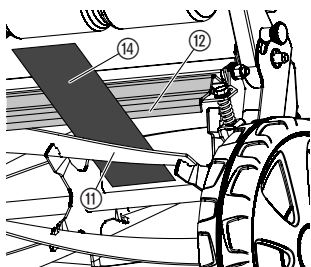
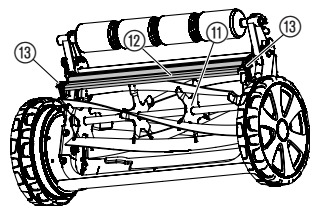
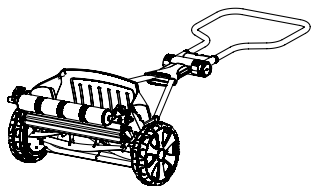
**DANGER!**

**Cutting mechanism can cause injuries!**

→ **Wear suitable work gloves when rectifying faults.**

Problem	Possible Cause	Remedy
<b>Abnormal Noises</b>	Screws/components loose.	→ Tighten screws.
	Foreign bodies on the blade.	→ Remove foreign bodies.
	Notch in the blade.	→ Remove notches with grindstone.
	Blades are striking each other too hard.	→ Adjust cutting mechanism.
<b>Lawn is not cleanly cut</b>	Blade adjustment incorrect.	→ Adjust cutting mechanism.
	Blade blunt.	→ Regrind or replace blade.
	Grass too long (e.g. after a relatively long absence).	→ Cut lawn shorter with a sickle.

## Adjusting the cutting mechanism:



### Regrinding / repairs:

The cutting gear of your cylinder mower was optimally adjusted before leaving our company. If, after longer use, a clean cut of the grass is no longer possible or the blade roller contacts the lower blade, then the lower blade should be adjusted as follows:

1. Clean the cylinder mower.
2. Lay the mower onto the ground, so that it cannot fall over when adjusting the cutting mechanism.
3. Check cylinder (11) and lower blade (12) for notches and remove these with a grindstone if necessary.
4. Unscrew the left and right hexagon screws (13) using a hexagon wrench (10 mm) anticlockwise until the blade cylinder (11) can only just turn freely.
5. Carefully tighten the left hexagon screw (13) using a hexagon wrench (10 mm) whilst the blade cylinder (11) rotates, until it lightly contacts the lower blade (12).
6. Then unscrew the left hexagon screw again until the blade cylinder just stops contacting the lower blade (rotates soundlessly).
7. Repeat the process on the right-hand side.
8. **Cutting test:**  
Place a strip of paper (14) in such a way on the lower blade (12) that it points towards the spindle of the cylinder (11).
9. Turn cylinder (11) carefully.  
*If the lower blade is set correctly (12) the paper will be cut off as if with scissors.*
10. Repeat the cutting test at different positions and on all blades on the blade cylinder (11).



**On safety grounds, only original GARDENA spares may be used.**

Please contact GARDENA Service if it is necessary to replace the cutting tool, which will only become blunt after several years use if well-maintained. Repairs to the cylinder mower and the installation of the blades can be undertaken by suitable specialist workshops.

Have the cylinder mower checked over in the autumn if possible so that it is ready for use immediately when the next lawn-mowing season starts.

For any other malfunctions please contact the GARDENA service department.

## 8. Available accessories

**GARDENA Grass Catcher**

Saves raking up the cut grass.

**Art. No. 4029**

## 9. Technical Data

	<b>330 (Art. No. 4027)</b>	<b>400 (Art. No. 4018)</b>	<b>400 C (Art. No. 4022)</b>
<b>Cutting width / Cutting height</b>	33 cm / 12 – 42 mm	40 cm / 12 – 42 mm	40 cm / 12 – 42 mm
<b>Cutting height adjustment</b>	4-stage (12, 22, 32, 42 mm)	4-stage (12, 22, 32, 42 mm)	4-stage (12, 22, 32, 42 mm)
<b>Weight</b>	8.2 kg	8.9 kg	9.4 kg

## 10. Service / Warranty

**Service:**

Please contact the address on the back page.

**Warranty:**

GARDENA Manufacturing GmbH guarantees this unit for 2 years (from date of purchase). This guarantee covers all serious defects of the unit that can be proved to be material or manufacturing faults. Under warranty we will either replace the unit or repair it free of charge if the following conditions apply:

- The unit must have been handled properly and in keeping with the requirements of the operating instructions.
- Neither the purchaser or a non-authorized third party have attempted to repair the unit.

The wearing parts blade cylinder (complete) and lower blade are excluded from the warranty.

This manufacturer's guarantee does not affect the user's existing warranty claims against the dealer/seller.

If you have problems with this unit, please contact our Service.

## **D Produkthaftung**

Wir weisen ausdrücklich darauf hin, dass wir nach dem Produkthaftungsgesetz nicht für durch unsere Geräte hervorgerufene Schäden einzustehen haben, sofern diese durch unsachgemäße Reparatur verursacht oder bei einem Teileaustausch nicht unsere originale GARDENA Teile oder von uns freigegebene Teile verwendet wurden und die Reparatur nicht vom GARDENA Service oder dem autorisierten Fachmann durchgeführt wird. Entsprechendes gilt für Ergänzungssteile und Zubehör.

## **GB Product Liability**

We expressly point out that, in accordance with the product liability law, we are not liable for any damage caused by our units if it is due to improper repair or if parts exchanged are not original GARDENA parts or parts approved by us, and, if the repairs were not carried out by a GARDENA Service Centre or an authorised specialist. The same applies to spare parts and accessories.

## **F Responsabilité**

Nous vous signalons expressément que GARDENA n'est pas responsable des dommages causés par ses appareils, dans la mesure où ces dommages seraient causés suite à une réparation non conforme, dans la mesure où, lors d'un échange de pièces, les pièces d'origine GARDENA n'auraient pas été utilisées, ou si la réparation n'a pas été effectuée par le Service Après-Vente GARDENA ou l'un des Centres SAV agréés GARDENA. Ceci est également valable pour tout ajout de pièces et d'accessoires autres que ceux préconisés par GARDENA.

## **NL Productaansprakelijkheid**

Wij wijzen er nadrukkelijk op, dat wij op grond van de wet aansprakelijkheid voor producten niet aansprakelijk zijn voor schade ontstaan door onze apparaten, indien deze door onvakkundige reparatie veroorzaakt zijn, of er bij het uitwisselen van onderdelen geen gebruik gemaakt werd van onze originele GARDENA onderdelen of door ons vrijgegeven onderdelen en de reparatie niet door de GARDENA technische dienst of de bevoegde vakman uitgevoerd werd. Ditzelfde geldt voor extra-onderdelen en accessoires.

## **S Produktansvar**

Tillverkaren är inte ansvarig för skada som orsakats av produkten om skadan beror på att produkten har reparerats felaktigt eller om, vid reparation eller utbyte, andra än Original GARDENA reservdelar har använts. Samma sak gäller för kompletteringsdelar och tillbehör.

## **DK Produktansvar**

Vi gør udtrykkeligt opmærksom på, at vi i henhold til produktansvarsloven ikke er ansvarlige for skader forårsaget af vores udstyr, såfremt det sker på grund af uautoriserede reparationer eller hvis dele er skiftet ud og der ikke er anvendt originale GARDENA dele eller dele godkendt af os, eller hvis reparationerne ikke er udført af GARDENA-service eller en autoriseret fagmand. Det samme gælder for ekstra udstyr og tilbehør.

## **FI Tuotevastuu**

Korostamme nimenomaan, että tuotevastuulain nojalla emme ole vastuussa laitteistamme johtuneista vahingoista, mikäli nämä ovat aiheutuneet epäasianmukaisesta korjauksesta tai osia vaihdettaessa ei ole käytetty alkuperäisiä GARDENA-varaosia tai hyväksymiämme osia ja korjauksen on suorittanut muu kuin GARDENA-huoltokeskus tai valtuuttamamme ammattihenkilö. Tämä pätee myös lisäksiin ja lisävarusteisiin.

## **I Responsabilità del prodotto**

Si rende espressamente noto che, conformemente alla legislazione sulla responsabilità del prodotto, non si risponde di danni causati da nostri articoli se originati da riparazioni eseguite non correttamente o da sostituzioni di parti effettuate con materiale non originale GARDENA o comunque da noi non approvato e, in ogni caso, qualora l'intervento non venga eseguito da un centro assistenza GARDENA o da personale specializzato autorizzato. Lo stesso vale per le parti complementari e gli accessori.

## **E Responsabilidad de productos**

Advertimos que conforme a la ley de responsabilidad de productos no nos responsabilizamos de daños causados por nuestros aparatos, siempre y cuando dichos daños hayan sido originados por arreglos o reparaciones indebidas, por recambios con piezas que no sean piezas originales GARDENA o bien piezas no autorizadas por nosotros, así como en aquellos casos en que la reparación no haya sido efectuada por un Servicio Técnico GARDENA o por un técnico autorizado. Lo mismo es aplicable para las piezas complementarias y accesorios.

## **P Responsabilidade sobre o produto**

Queremos salientar que segundo a lei da responsabilidade do fabricante, nós não nos responsabilizaremos por danos causados pelo nosso equipamento, quando estes ocorrerem em decorrência de reparações inadequadas ou da substituição de peças por peças não originais da GARDENA, ou peças não autorizadas.

A responsabilidade tornar-se-à nula também depois de reparações realizadas por oficinas não autorizadas pela GARDENA. Esta restrição valerá também para peças adicionais e acessórios.

## **PL Odpowiedzialność za produkt**

Zwracamy Państwu uwagę, że nie ponosimy odpowiedzialności za uszkodzenia naszych maszyn, bądź szkody spowodowane ich wadliwym funkcjonowaniem, powstałe na skutek nieprawidłowo przeprowadzonych napraw lub użycia nieoryginalnych części zamiennych. Naprawy winny być przeprowadzane tylko przez punkty serwisowe Husqvarna lub autoryzowane serwisy. Dotyczy to również części uzupełniających i oprzyrządowania.



## **H Termékszavatosság**

Nyomatékosan utalunk arra a tényre, hogy a termékszavatossági törvény szerint nem kell jótállást vállalnunk azokra a károokra, amelyeket nem a mi készülékeink okoztak, ha ezeket álszzerűtlen javítás okozta vagy egy alkatrész kicserélésénél nem a mi eredeti GARDENA alkatrészeinket vagy általunk engedélyezett alkatrészeket használtak fel és a javítást nem a GARDENA szerviz vagy egy erre felhatalmazott szakember végezte. Hasonlóképpen érvényes ez a kiegészítő alkatrészekre és tartozékokra is.

## **CZ Odpovědnost za výrobek**

Výslovně upozorňujeme na to, že podle zákona o odpovědnosti za výrobek nenese odpovědnost za škody způsobené našimi přístroji, pokud byly způsobené neodbornou opravou nebo použitím jiných než našich originálních náhradních dílů GARDENA nebo námi schválených dílů a neprovedením opravy servisem GARDENA nebo autorizovaným odborníkem. Odpovídající platí i pro doplňkové díly a příslušenství.

## **SK Predmet záruky**

Upozorňujeme dôrazne na to, že podľa zákona o poskytovaní záruk nezodpovedáme za škody spôsobené našimi výrobkami, v prípade, že boli boli vyvolané neodbornými opravami, výmenou dielcov, ktoré nepatria k originálnym dielom GARDENA alebo neboli nami schválené a rovnako boli spôsobené servisnými zásahmi, ktoré neboli vykonané servisom GARDENA alebo autorizovaným odborníkom. Rovnako to platí pre doplnky a príslušenstvo.

## **GR Ευθύνη για το προϊόν**

Σας υπενθυμίζουμε ρητά, ότι σύμφωνα με το νόμο περί ευθύνης για τα προϊόντα δεν ευθυνόμαστε για ενδεχόμενες βλάβες που προκαλούνται από τις συσκευές μας, εφόσον οφείλονται σε μία ακατάλληλη επισκευή ή σε μια αντικατάσταση τμημάτων για την οποία δεν έχουν χρησιμοποιηθεί τα πρωτότυπα ανταλλακτικά της GARDENA ή τα από μας εγκεκριμένα ανταλλακτικά και σε περίπτωση που δεν εκτελείται η επισκευή από το Τμήμα Εξυπηρέτησης Πελατών της GARDENA ή από έναν εξουσιοδοτημένο εξειδικευμένο τεχνίτη. Το ίδιο ισχύει για εξαρτήματα και συμπληρωματικά τμήματα.

## **SLO Jamstvo za izdelek**

Pismo poudarjamo, da po zakonu jamstva za izdelek nismo odgovorni za škodo, ki bi nastala zaradi uporabe našega izdelka, prav tako tudi ne za škodo ki bi nastala zaradi nepravilnega popravila izdelka ali pri napačni zamenjavi delov, ki niso originalni deli GARDENA ali pri uporabi z naše strani potrjenih delov, ki pa niso bili vgrajeni v servisu GARDENA ali v naši pooblašteni servisni službi. Enako velja tudi za nadomestne dele in opremo.

## **HR Odgovornost za proizvod**

Izričito napominjemo da u skladu sa Zakonom o odgovornosti za proizvode nismo odgovorni za štete uzrokovane našim uređajima ako su one izazvane nestručnim popravkom ili u slučaju zamjene dijelova nisu korišteni originalni GARDENA dijelovi ili dijelovi koje smo odobrili i popravak nije izvršio GARDENA servis ili ovlašteni stručnjak. Isto vrijedi i za dodatne dijelove i pribor.

## **RO Responsabilitatea legala a produsului**

Menționăm în mod expres ca, în concordanță cu responsabilitatea legală a produsului, nu suntem răspunzători de nici un accident provocat de produsele noastre dacă se datorează reparării necorespunzătoare sau dacă piesele de schimb nu sunt originale GARDENA sau aprobate de GARDENA, sau dacă reparațiile nu au fost efectuate de un Centru de Service GARDENA sau un specialist autorizat. Aceleași prevederi se aplică și pieselor de schimb și accesoriilor.

## **BG Отговорност за качество**

Изрично подчертаваме, че съгласно закона за отговорност за качество, ние не носим отговорност за вредите причинени от нашите уреди, ако същите са причинени от неправилен ремонт или при подмяната на части не са използвани оригинални части на GARDENA или части одобрени от нас и ремонта не е извършен от сервиз на GARDENA или оторизиран специалист. Същото важи за допълнителните части и принадлежности.

## **EST Tootevastutus**

Juhime teie tähelepanu sellele, et tootevastutusseaduse kohaselt ei vastuta meie seadmete poolt põhjustatud kahjude eest, kui need on tekkinud asjatundmatu paranduse tagajärjel või kui detaili vahetamisel ei kasutatud GARDENA originaalvaruosi ega meie poolt kasutada lubatud varuosia ja kui parandustöid ei ole teinud GARDENA klienditeenindusspetsialistid ega meie volitatud spetsialistid. Sama kehtib lisadetailide ja tarvikute kohta.

## **LT Atsakomybė už produkciją**

Nurodome, kad remdamiesi Atsakomybės už produkciją įstatymu, neatšakome už nuostolius, sukeltus mūsų prietaisy, jei jie atsirado dėl netinkamo remonto, arba, jei keičiant dalis, buvo naudojamasi neoriginalios GARDENA dalys arba dalys, kurių mes neleidome naudoti, o remontą atliko ne GARDENA servisas arba neįgaliotasis specialistas. Tas pats galioja papildomoms dalims ir priedams.

## **LV Produkta atbildība**

Mēs skaidri norādām uz to, ka saskaņā ar Produktu atbildības likumu, mēs neatbildam par mūsu iekārtu radītiem zaudējumiem, ciktāl tos ir izraisījis neatbilstošs remonts vai daļu nomaiņa ar neoriginālām GARDENA daļām vai ne ar mūsu norādītajām detaļām un remontu nav veicis GARDENA serviss vai pilnvarots speciālists. Tas pats attiecas uz papildinošajām daļām un piederumiem.

**Deutschland / Germany**

**GARDENA**  
Manufacturing GmbH  
Central Service  
Hans-Lorenser-Straße 40  
D-89079 Ulm  
Produktfragen:  
(+49) 731 490-123  
Reparaturen:  
(+49) 731 490-290  
service@gardena.com

**Albania**

COBALT Sh.p.k.  
Rr. Siri Kodra  
1000 Tirana

**Argentina**

Husqvarna Argentina S.A.  
Av.del Libertador 5954 –  
Fiso 11 – Torre B  
(C1428ARF) Buenos Aires  
Phone: (+54) 11 5194 5000  
info.gardena@  
ar.husqvarna.com

**Armenia**

Garden Land Ltd.  
61 Tigran Mets  
0005 Yerevan

**Australia**

Husqvarna Australia Pty. Ltd.  
Locked Bag 5  
Central Coast BC  
NSW 2252  
Phone: (+61) (0) 2 4352 7400  
customer.service@  
husqvarna.com.au

**Austria / Österreich**

Husqvarna Austria GmbH  
Industriezeile 36  
4010 Linz  
Tel.: (+43) 732 77 01 01-485  
service.gardena@  
husqvarnagroup.com

**Azerbaijan**

Firm Progress  
a. Aliyev Str. 26A  
1052 Bakı

**Belgium**

GARDENA Belgium NV/SA  
Sterrebeekstraat 163  
1930 Zaventem  
Phone: (+32) 2 720 92 12  
Mail: info@gardena.be

**Bosnia / Herzegovina**

SILK TRADE d.o.o.  
Industrijska zona Bukva bb  
74260 Tešanj

**Brazil**

Husqvarna do Brasil Ltda  
Av. Francisco Matarazzo,  
1400 – 19º andar  
São Paulo – SP  
CEP: 05001-903  
Tel: 0800-112252  
marketing.br.husqvarna@  
husqvarna.com.br

**Bulgaria**

Хускварна България ЕООД  
Еул. „Андрей Лягчев“ № 72  
1799 София  
Тел.: (+359) 02/9753076  
www.husqvarna.bg

**Canada / USA**

GARDENA Canada Ltd.  
100 Summerlee Road  
Brampton, Ontario L6T 4X3  
Phone: (+1) 905 792 9330  
info@gardenacanada.com

**Chile**

Maquinarias Agroforestales  
Ltda. (Maga Ltda.)  
Santiago, Chile  
Avda. Chesterton  
# 8355 comuna Las Condes  
Phone: (+56) 2 202 4417  
Dalton@мага.cl

**France**

Husqvarna France  
9/11 Allée des pierres mayettes  
92635 Gennemilliers Cedex  
France  
http://www.gardena.com/fr  
N° AZUR: 0 810 00 78 23  
(Prix d'un appel local)

**China**

Husqvarna (China) Machinery  
Manufacturing Co., Ltd.  
No. 1355, Jia Xin Rd.,  
Ma Lu Zhen, Jia Ding Dist.,  
Shanghai  
201801  
Phone: (+86) 21 59159629  
Domestic Sales  
www.gardena.com.cn

**Colombia**

Husqvarna Colombia S.A.  
Calle 18 No. 68 D-31, zona  
Industrial de Montevideo  
Bogotá, Cundinamarca  
Tel. 571 2927200 ext. 105  
jairo.salazar@  
husqvarna.com.co

**Costa Rica**

Compania Exim  
Euroberoamericana S.A.  
Los Colegios, Moravia,  
200 metros al Sur del Colegio  
Saint Francis – San José  
Phone: (+506) 297 68 83  
exim\_euro@racsa.co.cr

**Croatia**

SILK ADRIA d.o.o.  
Josipa Lončara 3  
10090 Zagreb  
Phone: (+385) 1 3794 580  
silk.adria@zg.t-com.hr

**Cyprus**

Med Marketing  
17 Digeni Akritia Ave  
P.O. Box 27017  
1641 Nicosia

**Czech Republic**

Husqvarna Česko s.r.o.  
Türkova 2319/5b  
149 00 Praha 4 – Chodov  
Bezpłatná infolinka:  
800 100 425  
servis@cz.husqvarna.com

**Denmark**

GARDENA / Husqvarna  
Consumer Outdoor Products  
Salgsafdeling Danmark  
Box 9003  
S-200 39 Malmö  
info@gardena.dk

**Dominican Republic**

BOSQUESA, S.R.L  
Carretera Santiago Licey  
Km. 5 1/2  
Esquina Copal II,  
Santiago  
Dominican Republic  
Phone: (+809) 736-0333  
joserbosquesa@claro.net.do

**Ecuador**

Husqvarna Ecuador S.A.  
Agrupos E1-181 y 10 de  
Agosto Quito, Pichincha  
Tel. (+593) 22800739  
francisco.jacom@  
husqvarna.com.ec

**Estonia**

Husqvarna Eesti OÜ  
Consumer Outdoor Products  
Kesk tee 10, Aaviku küla  
Rae vald  
Harju maakond  
75305 Estonia  
kontakt.etj@husqvarna.ee

**Finland**

Oy Husqvarna Ab  
Consumer Outdoor Products  
Lauttarhankatu 8 B / PL 3  
00581 HELSINKI  
info@gardena.fi

**France**

Husqvarna France  
9/11 Allée des pierres mayettes  
92635 Gennemilliers Cedex  
France  
http://www.gardena.com/fr  
N° AZUR: 0 810 00 78 23  
(Prix d'un appel local)

**Georgia**

ALD Group  
Bellashvili 8  
1159 Tbilisi

**Great Britain**

Husqvarna UK Ltd  
Preston Road  
Aycliffe Industrial Park  
Newton Aycliffe  
Consumer Durham  
DL5 6UP  
info.gardena@  
husqvarna.co.uk

**Greece**

Π.ΠΑΠΑΔΟΠΟΥΛΟΣ ΑΕΒΕ  
Λεωφ. Αθηνών 92  
Αθήνα  
Τ.Κ. 104 42  
Ελλάδα  
Τηλ. (+30) 210 5193 100  
info@papidopoulos.com.gr

**Hungary**

Husqvarna Magyarország Kft.  
Ezred u. 1-3  
1044 Budapest  
Telefon: (+36) 1 251-4161  
vevozsogalat.husqvarna@  
husqvarna.hu

**Iceland**

O. Johnson & Kaaber  
Túnguhsali 1  
110 Reykjavik  
ojo@okj.is

**Ireland**

Husqvarna UK Ltd  
Preston Road  
Aycliffe Industrial Park  
Newton Aycliffe  
County Durham  
DL5 6UP  
info.gardena@  
husqvarna.co.uk

**Italy**

Husqvarna Italia S.p.A.  
Via Como 72  
23868 VALMADRERA (LC)  
Phone: (+39) 0341.203.111  
info@gardenaitalia.it

**Japan**

KAKUICHI Co. Ltd.  
Sumitomo Realty &  
Development Kojimachi  
BLDG., 8F  
5-1 Nibaruncyo  
Chiyoda-ku  
Tokyo 102-0084  
Phone: (+81) 33 264 4721  
m\_ishihara@kaku-ichi.co.jp

**Kazakhstan**

LAMED Ltd.  
155/1, Tazhibayevy Str.  
050060 Almaty  
IP Schmidt  
Abayavenue 3B  
110 005 Kostanay

**Korea**

Kyung Jin Trading Co., Ltd.  
107-4, SunDuk Bld.,  
Yangjae-dong,  
Secho-gu,  
Seoul, (zipcode: 137-891)  
Phone: (+82) (0)2 574-6300

**Kyrgyzstan**

Alyz Maki  
Av. Molodaya Guardir J 3  
720014  
Bishkek

**Latvia**

Husqvarna Latvija  
Consumer Outdoor Products  
Bakūži iela 6  
LV-1024 Rīga  
info@husqvarna.lv

**Lithuania**

UAB Husqvarna Lietuva  
Consumer Outdoor Products  
Ateities pl. 7C  
LT-52104 Kaunas  
centras@husqvarna.lt

**Luxembourg**

Magasins Jules Neuberger  
39, rue Jacques Stas  
Luxembourg-Gasperich 2549  
Casse Postale No. 12  
Luxembourg 2010  
Phone: (+352) 40 14 01  
api@neuberger.lu

**Mexico**

AFOSA  
Av. Lopez Mateos Sur # 5019  
Col. La Calma 45070  
Zapotlan, Jalisco  
Mexico  
Phone: (+52) 33 3818-3434  
cornejo@afosa.com.mx

**Moldova**

Convex S.R.L.  
290A Muncesti Str.  
2002 Chisinau

**Netherlands**

GARDENA Nederland B.V.  
Postbus 50176  
1305 AD ALMERE  
Phone: (+31) 36 521 00 00  
info@gardena.nl

**Neth. Antilles**

Jonka Enterprises N.V.  
Sta. Rosa Weg 196  
P.O. Box 8200  
Curaçao  
Phone: (+599) 9 767 66 55  
pjm@jonka.com

**New Zealand**

Husqvarna New Zealand Ltd.  
PO Box 76-437  
Manukau City 2241  
Phone: (+64) (0) 9 9202410  
support.nz@husqvarna.co.nz

**Norway**

GARDENA  
Husqvarna Consumer  
Outdoor Products  
Salgskontor Norge  
Kleverveien 6  
1540 Vestby  
info@gardena.no

**Peru**

Husqvarna Perú S.A.  
Jr. Ramón Cárcamo 710  
Lima 1  
Tel: (+51) 1 3320400 ext. 416  
juan.remuzo@  
husqvarna.com

**Poland**

Husqvarna  
Poland Spółka z o.o.  
ul. Wysockiego 15 b  
03-371 Warszawa  
Phone: (+48) 22 330 96 00  
gardena@husqvarna.pl

**Portugal**

Husqvarna Portugal, SA  
Lagoa – Albarraque  
2635 – 595 Rio de Mouro  
Tel.: (+351) 21 922 85 30  
Fax.: (+351) 21 922 85 36  
info@gardena.pt

**Romania**

Madex International Srl  
Soseaua Odaii 117 - 123,  
RO 013603 Bucuresti, S 1  
Phone: (+40) 21 352.76.03  
madex@ines.ro

**Russia / Россия**

ООО „Хускварна“  
141400, Московская обл.,  
г. Химки,  
улица Ленинградская,  
владение 39, стр.6  
Бизнес Центр  
„Химки Бизнес Парк“,  
помещение ОВ02.04  
http://www.gardena.ru

**Serbia**

Domel d.o.o.  
Autoput za Novi Sad bb  
11273 Belgrade  
Phone: (+381) 11 848 88 12  
miroslav.jejina@domel.rs

**Singapore**

Hy-Ray PRIVATE LIMITED  
40 Jalan Pampoin  
#02-08 Tat Ann Building  
Singapore 577185  
Phone: (+65) 6253 2277  
shying@hyray.com.sg

**Slovak Republic**

Husqvarna Česko s.r.o.  
Türkova 2319/5b  
149 00 Praha 4 – Chodov  
Bezpłatná infolinka:  
800 154 044  
servis@sk.husqvarna.com

**Slovenia**

Husqvarna Austria GmbH  
Industriezeile 36  
4010 Linz  
Tel.: (+43) 732 77 01 01-485  
service.gardena@  
husqvarnagroup.com

**South Africa**

Husqvarna  
South Africa (Pty) Ltd  
Postnet Suite 250  
Private Bag X6,  
Cascades, 3202  
South Africa  
Phone: (+27) 33 846 9700  
info@gardena.co.za

**Spain**

Husqvarna España S.A.  
Calle de Rivas nº 10  
28052 Madrid  
Phone: (+34) 91 708 05 00  
atencioncliente@gardena.es

**Suriname**

Agrofix n.v.  
Verlengde Hogestraat # 22  
Phone: (+597) 472426  
agrofix@sr.net  
Pobox : 2006  
Paramaribo  
Suriname – South America

**Sweden**

Husqvarna AB  
S-561 82 Huskvarna  
info@gardena.se

**Switzerland / Schweiz**

Husqvarna Schweiz AG  
Consumer Products  
Industriestrasse 10  
5506 Mägenwil  
Phone: (+41) (0) 62 887 37 90  
info@gardena.ch

**Turkey**

GARDENA Deste Diş Ticaret  
Müesseslikli A.Ş.  
Sanayi Cad. Adil Sokak  
No: 1/B Kartal  
34873 Istanbul  
Phone: (+90) 216 38 93 939  
info@gardena-dost.com.tr

**Ukraine / Україна**

ТОВ „Хусварна Україна“  
вул. Васильківська, 34,  
офіс 204-р  
03022, Київ  
Тел. (+38) 044 498 39 02  
info@gardena.ua

**Uruguay**

FELI SA  
Entre Rios 1083 CP 11800  
Montevideo – Uruguay  
Phone: (+598) 22 03 18 44  
info@felisa.com.uy

**Venezuela**

Сорядация Casa y Jardín C.A.  
Av. Caroni, Edif. Trazmen, PB.  
Colinas de Bello Monte.  
1050 Caracas.  
Tlf: (+58) 212 992 32 22  
info@casayjardin.net.ve

4018-20.960.02/0616

© GARDENA  
Manufacturing GmbH  
D-89070 Ulm  
http://www.gardena.com